

US00D898539S

(12) **United States Design Patent** (10) **Patent No.:** **US D898,539 S**  
**Huagn** (45) **Date of Patent:** **\*\* Oct. 13, 2020**

- (54) **KNIFE SHARPENER**
- (71) Applicant: **JIANGYIN DIAMOND TOOLS CO., LTD.**, Jiangyin, Jiangsu (CN)
- (72) Inventor: **Dongchen Huagn**, Jiangsu (CN)
- (73) Assignee: **JIANGYIN DIAMOND TOOLS CO., LTD.**, Jiangyin, Jiangsu (CN)
- (\*\*) Term: **15 Years**
- (21) Appl. No.: **29/732,871**
- (22) Filed: **Apr. 28, 2020**
- (51) **LOC (12) Cl.** ..... **08-05**
- (52) **U.S. Cl.**  
USPC ..... **D8/93**; D8/91
- (58) **Field of Classification Search**  
USPC ..... D8/14, 63, 71, 91, 93, 94, 354  
CPC ..... B24D 15/08; B24D 15/081; B24D 15/06;  
B24D 15/084; B24D 15/063  
See application file for complete search history.

D333,081 S *	2/1993	Glesser	.....	D8/91
D363,869 S *	11/1995	Ross	.....	D8/91
D389,716 S *	1/1998	Cohen	.....	D8/91
D529,779 S *	10/2006	Smith	.....	D8/93
D560,461 S *	1/2008	Epstein	.....	D8/91
7,713,112 B2 *	5/2010	Huang	.....	B24D 15/06 451/525
9,033,771 B2 *	5/2015	Krent	.....	B24D 15/08 451/555
D799,930 S *	10/2017	Chalfant	.....	D8/93
2009/0183601 A1 *	7/2009	Shen	.....	B24D 15/08 76/84
2010/0323597 A1 *	12/2010	Friel, Sr.	.....	B24D 15/08 451/555
2014/0242895 A1 *	8/2014	Krent	.....	B24D 15/08 451/555

\* cited by examiner

*Primary Examiner* — Keli L Hill  
*Assistant Examiner* — Harold E Blackwell, II  
(74) *Attorney, Agent, or Firm* — Muncy, Geissler, Olds  
Lowe, P.C.

(57) **CLAIM**

The ornamental design for a knife sharpener, as shown and described.

**DESCRIPTION**

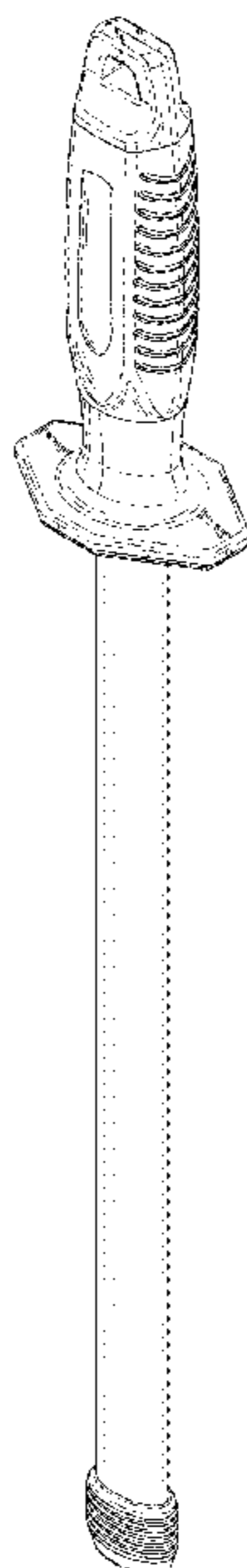
FIG. 1 is a front elevational view of a knife sharpener showing my new design;  
FIG. 2 is a rear elevational view thereof;  
FIG. 3 is a left side view thereof;  
FIG. 4 is a right side view thereof;  
FIG. 5 is a top plan view thereof;  
FIG. 6 is a bottom plan view thereof;  
FIG. 7 is a portion of the perspective view of FIG. 5 enlarged for magnification purposes; and,  
FIG. 8 is a perspective view thereof.

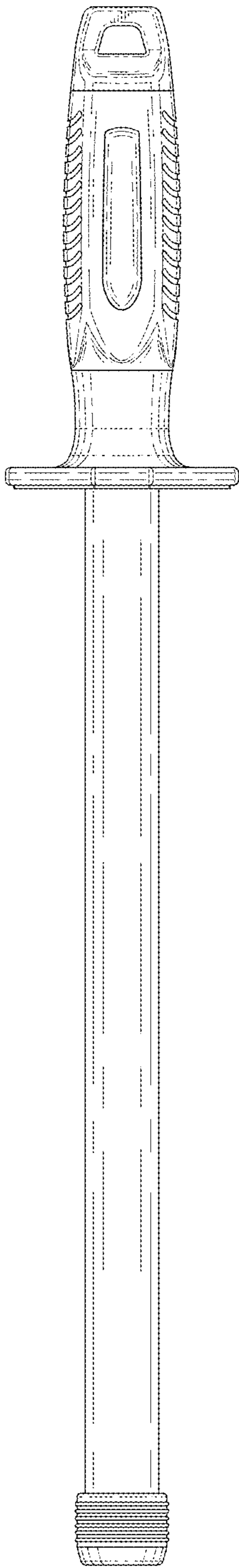
**1 Claim, 5 Drawing Sheets**

(56) **References Cited**

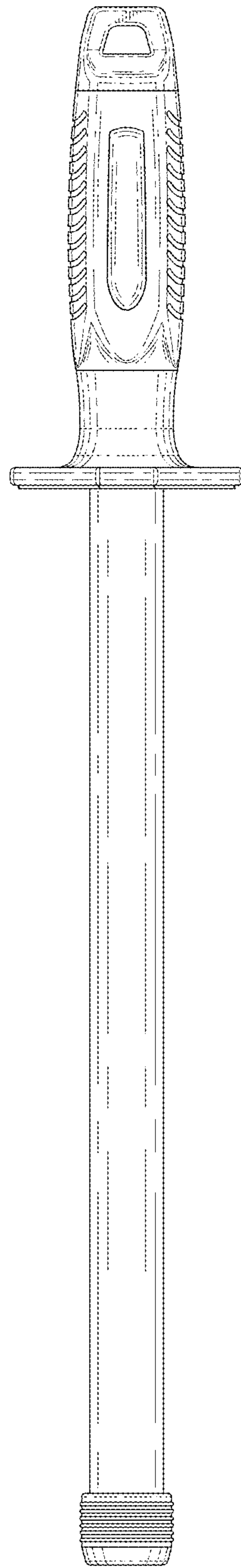
U.S. PATENT DOCUMENTS

1,352,888 A *	9/1920	Gallagher	.....	B24D 15/08 76/84
1,381,334 A *	6/1921	Ranz	.....	B24D 15/08 76/84
2,484,335 A *	10/1949	Dingerson	.....	B24D 15/08 451/502
3,420,123 A *	1/1969	Waterman	.....	B24D 15/08 76/84
D229,476 S *	12/1973	Farquharson	.....	D8/93
3,861,087 A *	1/1975	Martin	.....	B24D 15/08 451/557
4,094,106 A *	6/1978	Harris	.....	B24D 15/06 451/555

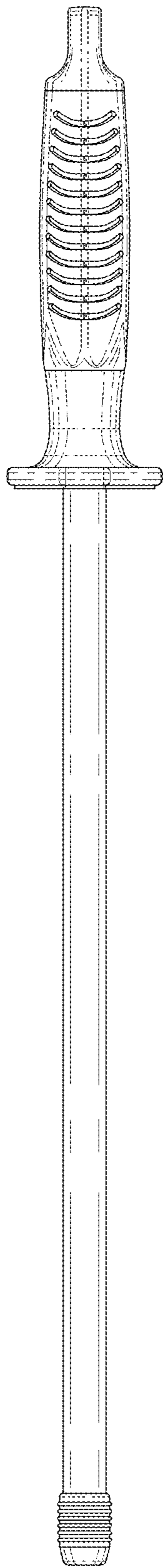




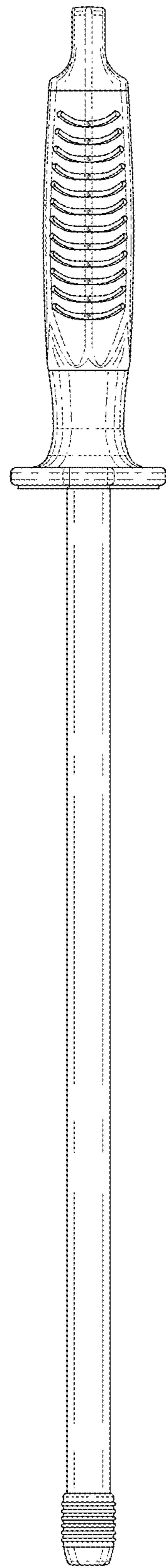
*Fig. 1*



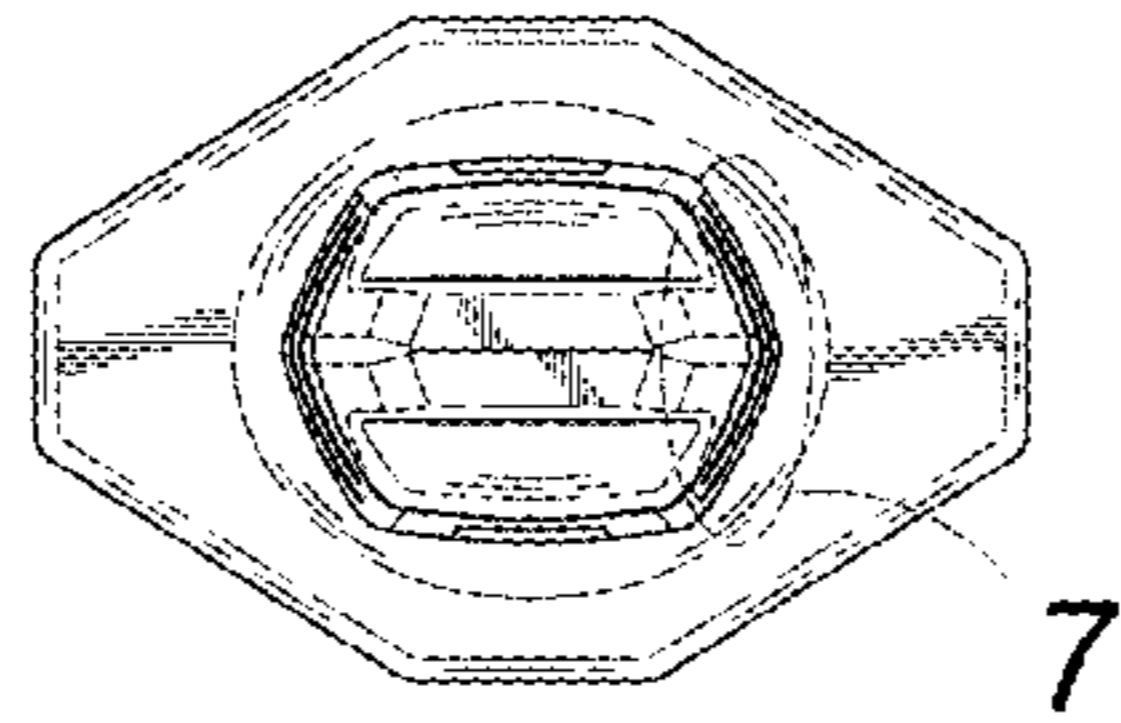
*Fig. 2*



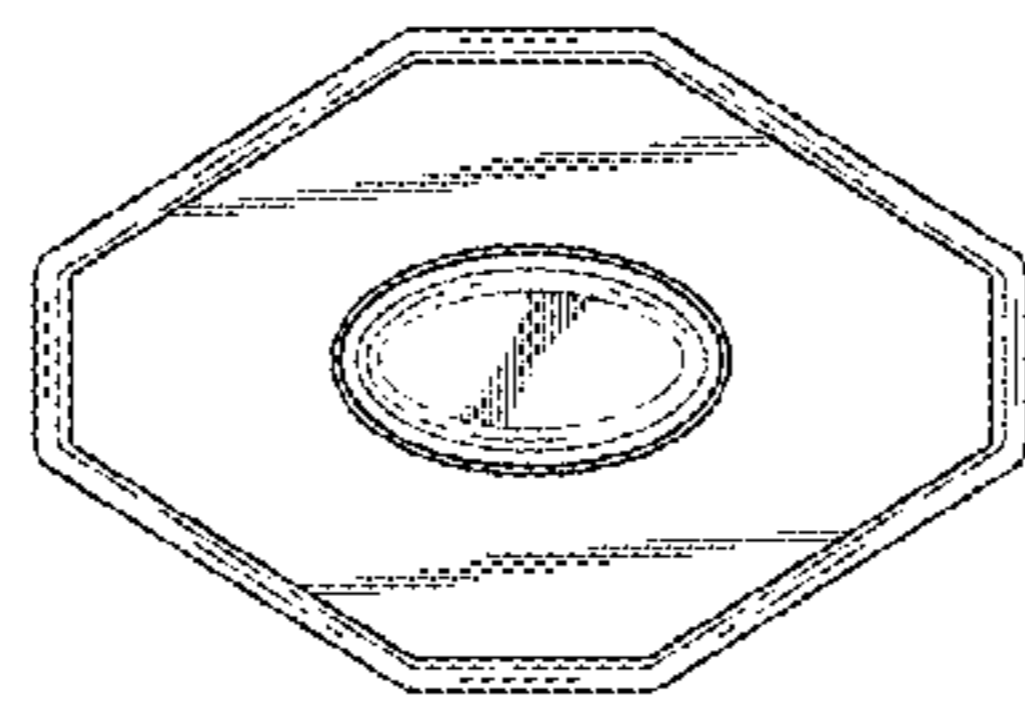
*Fig. 3*



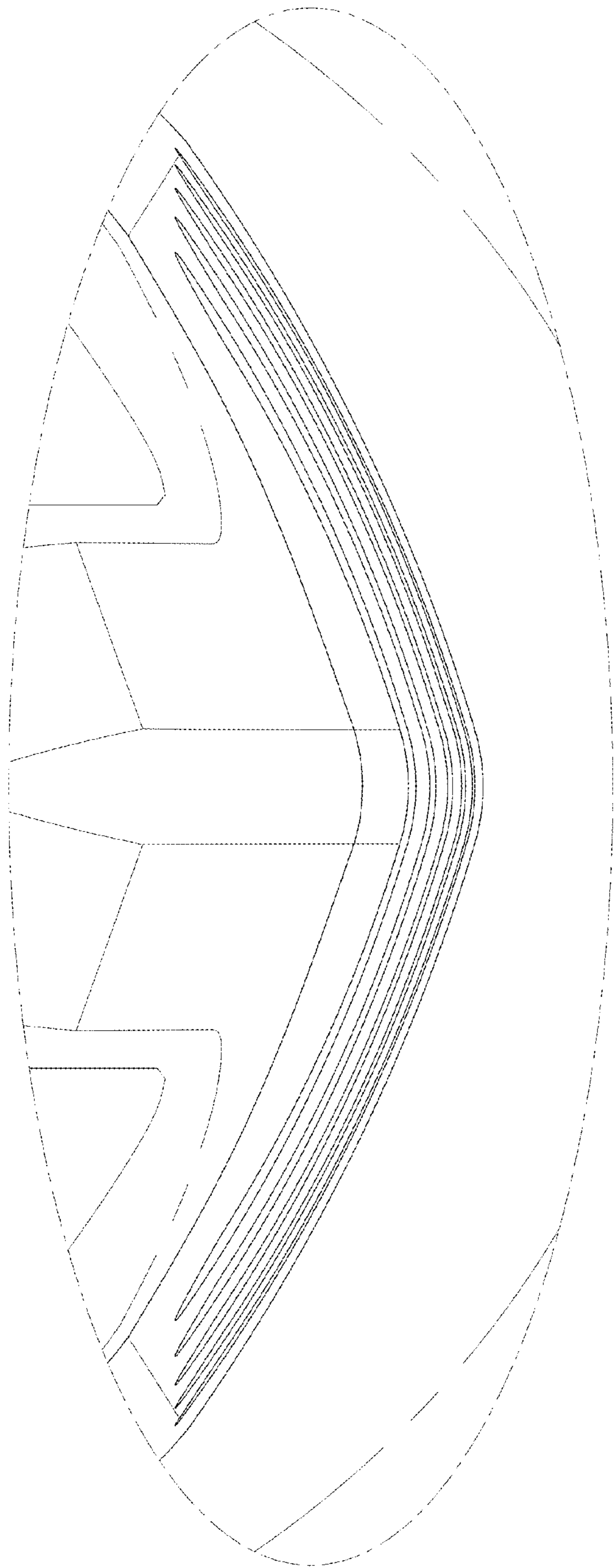
*Fig. 4*



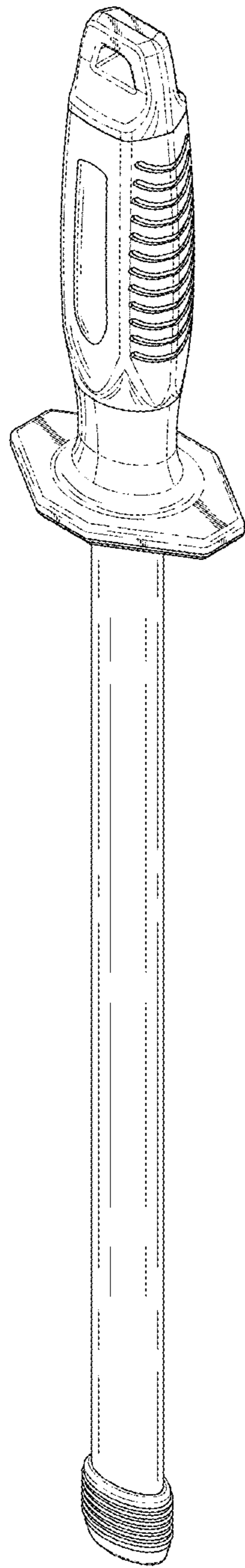
*Fig.5*



*Fig.6*



*Fig. 7*



*Fig. 8*