



US00D898538S

(12) **United States Design Patent** (10) **Patent No.:** **US D898,538 S**
Liu (45) **Date of Patent:** **** Oct. 13, 2020**

(54) **KNIFE SHARPENER**

(71) Applicant: **Shenzhen Bolton Technology Co., Ltd.**, Shenzhen (CN)

(72) Inventor: **Huazhu Liu**, Shandong Province (CN)

(**) Term: **15 Years**

(21) Appl. No.: **29/725,942**

(22) Filed: **Feb. 28, 2020**

(51) **LOC (12) Cl.** **08-05**

(52) **U.S. Cl.**

USPC **D8/93**

(58) **Field of Classification Search**

USPC D8/63, 90, 91, 92, 93

CPC B24B 3/54; B24B 3/36; B24B 3/58; B24B

3/00; B24B 23/08; B24D 15/00; B24D

15/06; B24D 15/063; B24D 15/08; B24D

15/081

See application file for complete search history.

(56) **References Cited**

U.S. PATENT DOCUMENTS

D315,663 S *	3/1991	Dolbosco	D8/93
D587,551 S *	3/2009	Friel, Sr.	D8/93
D603,679 S *	11/2009	Smith	D8/93
D604,134 S *	11/2009	Smith	D8/63
D604,135 S *	11/2009	Smith	D8/63
D626,397 S *	11/2010	Smith	D8/93
D629,273 S *	12/2010	Friel, Sr.	D8/93
D640,116 S *	6/2011	Smith	D8/93

D666,886 S *	9/2012	Rieser	D8/93
D673,833 S *	1/2013	Kay	D8/93
D680,847 S *	4/2013	Smith	D8/93
D699,534 S	2/2014	Elek et al.		
D736,587 S *	8/2015	Cavanaugh	D8/93
9,649,749 B2 *	5/2017	Weiner	B24D 15/082
D817,738 S *	5/2018	Chen	D8/93
D884,450 S *	5/2020	Zemel	D8/93
2016/0207171 A1 *	7/2016	Weiner	B24D 15/082

* cited by examiner

Primary Examiner — Philip S Hyder

(74) *Attorney, Agent, or Firm* — ZANIP

(57) **CLAIM**

The ornamental design for a knife sharpener, as shown and described.

DESCRIPTION

FIG. 1 is a front and bottom perspective view of a knife sharpener, showing my new design;

FIG. 2 is a rear and top perspective view thereof;

FIG. 3 is a front elevational view thereof;

FIG. 4 is a rear elevational view thereof;

FIG. 5 is a left side elevational view thereof;

FIG. 6 is a right side elevational view thereof;

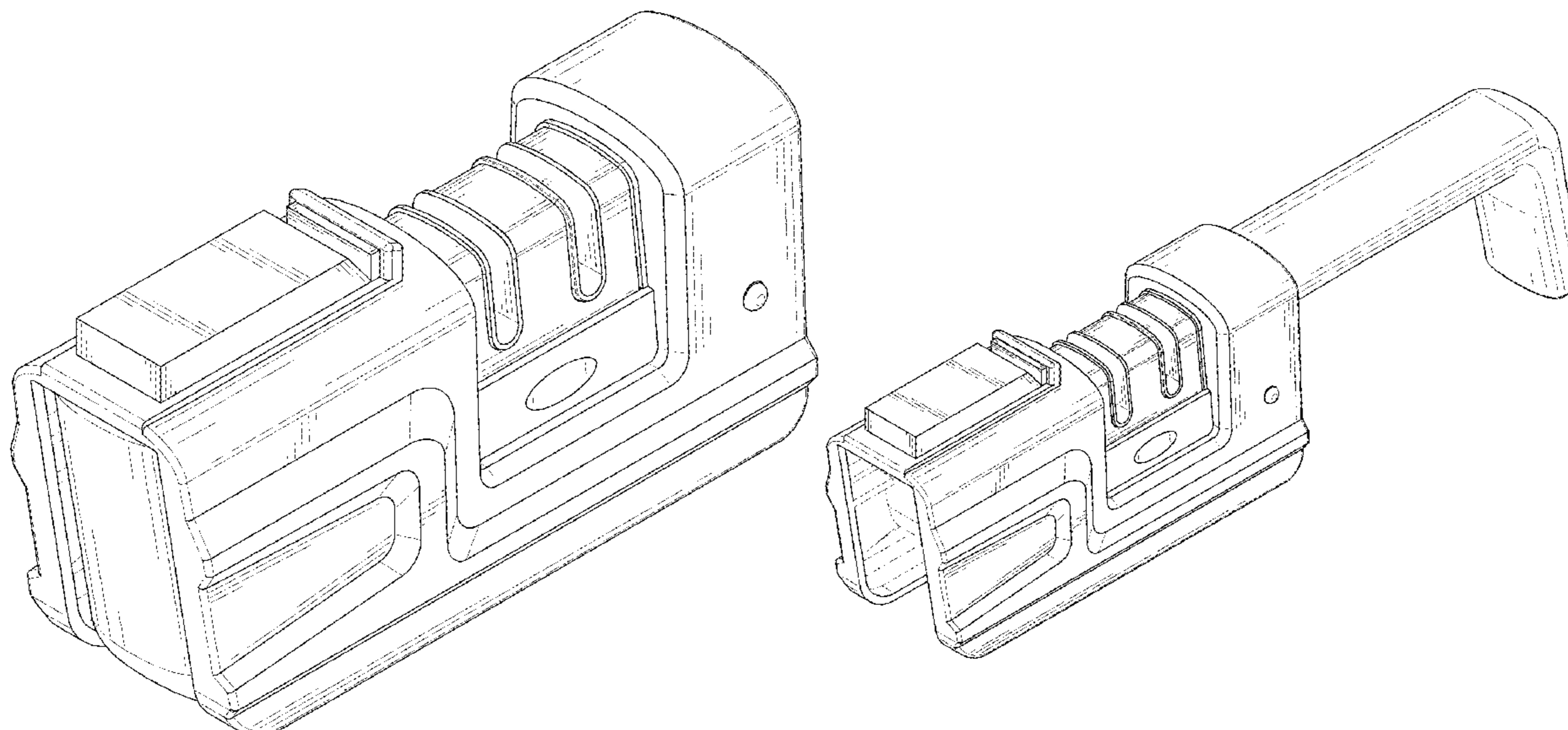
FIG. 7 is a top plan view thereof;

FIG. 8 is a bottom plan view thereof; and,

FIG. 9 is a perspective view thereof, showing a handle of the knife sharpener in an unfolded position.

The broken lines in the figures illustrate portions of the knife sharpener that form no part of the claimed design.

1 Claim, 9 Drawing Sheets



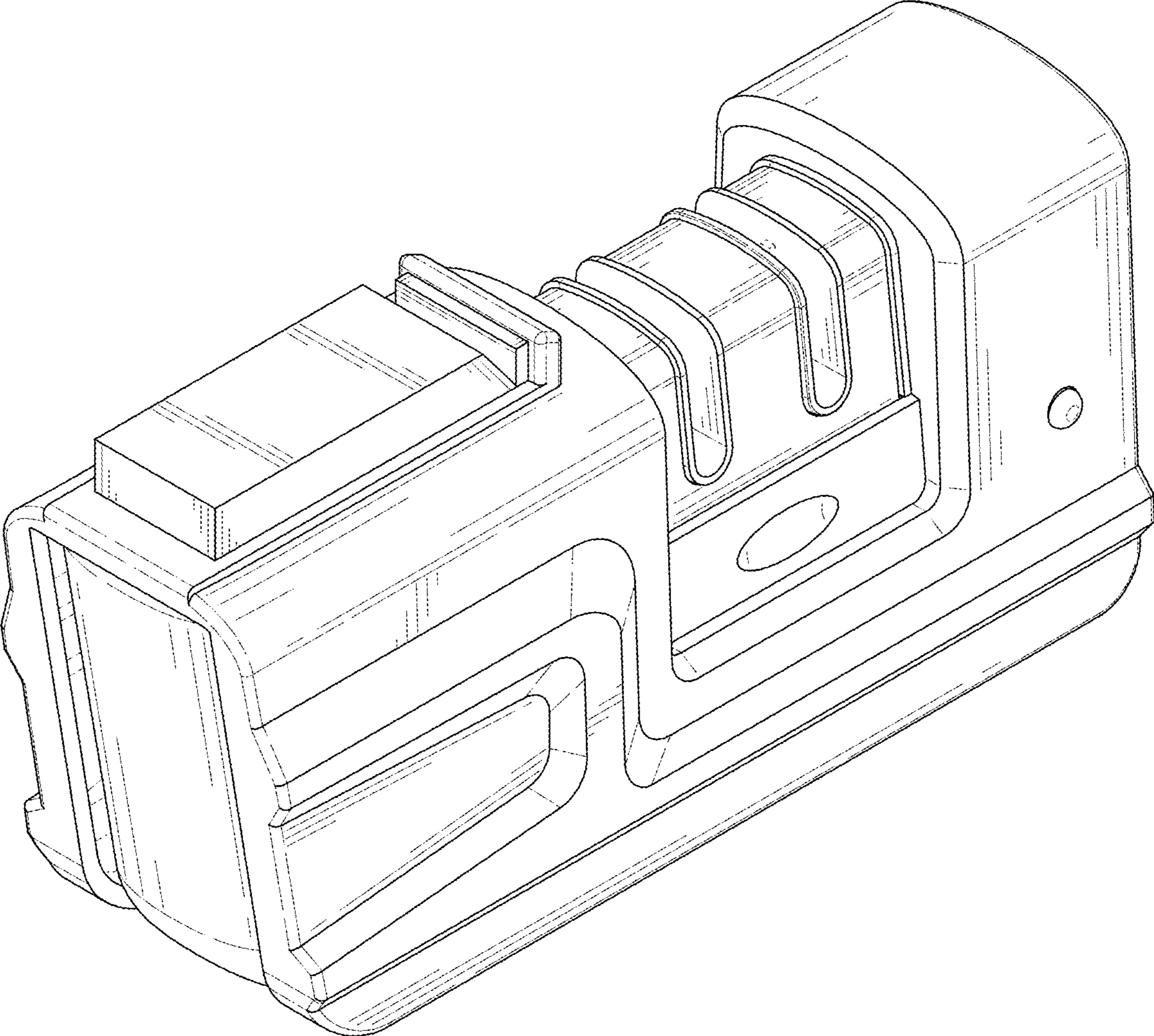


FIG. 1

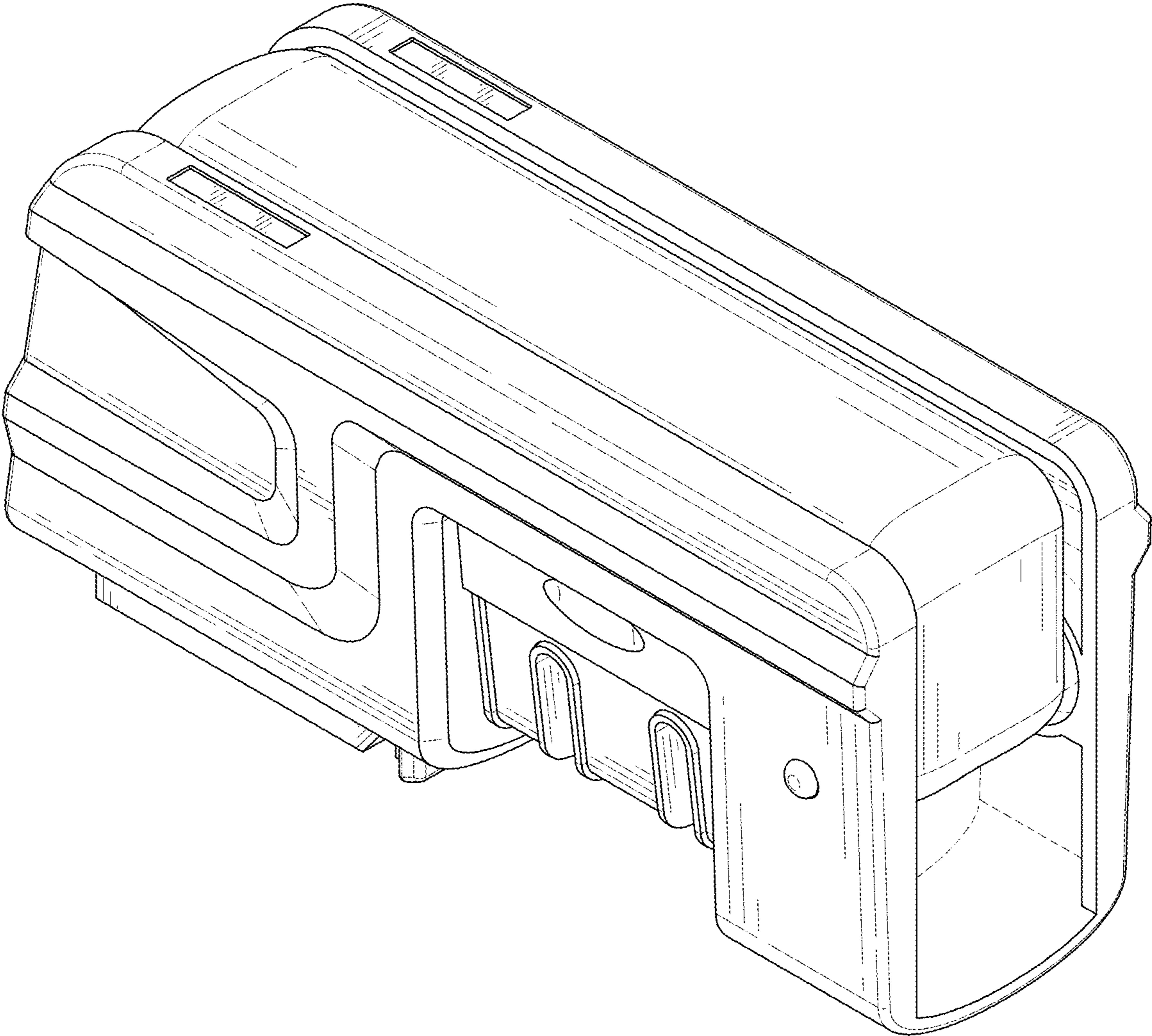


FIG. 2

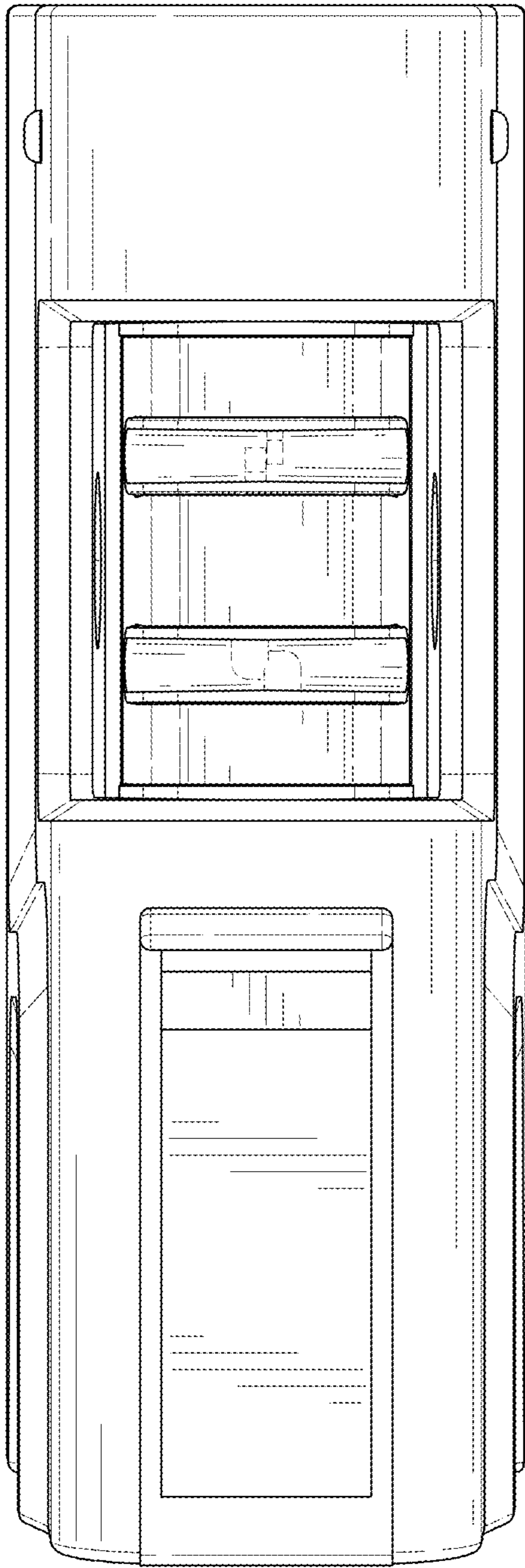


FIG. 3

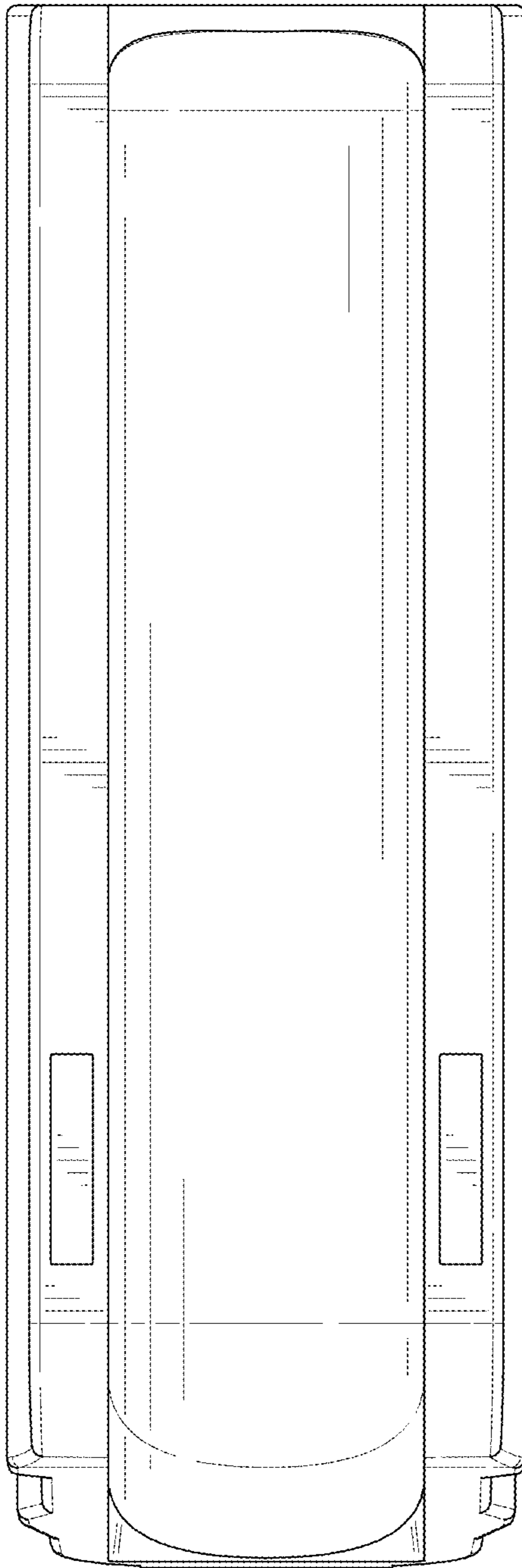


FIG. 4

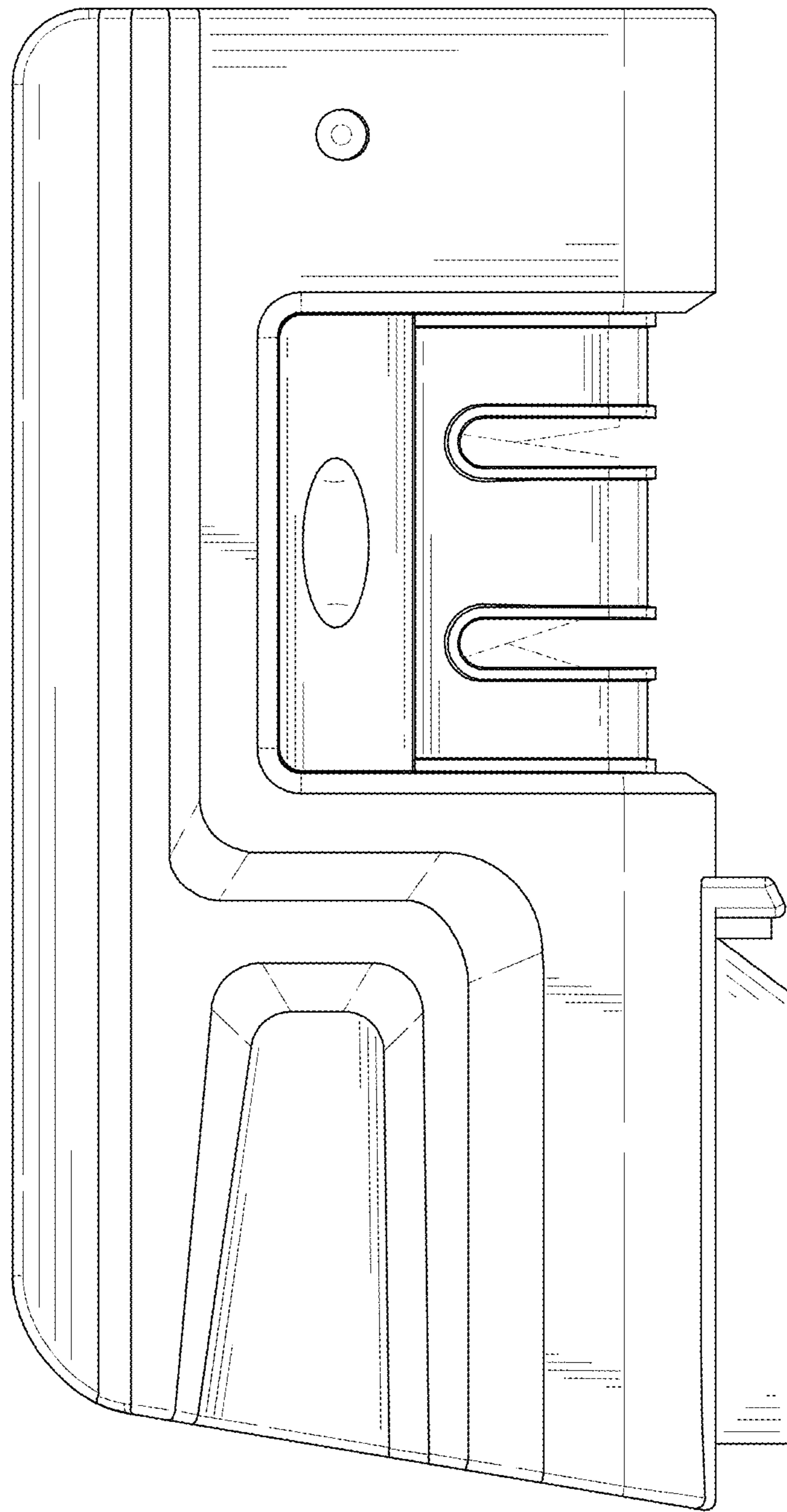


FIG. 5

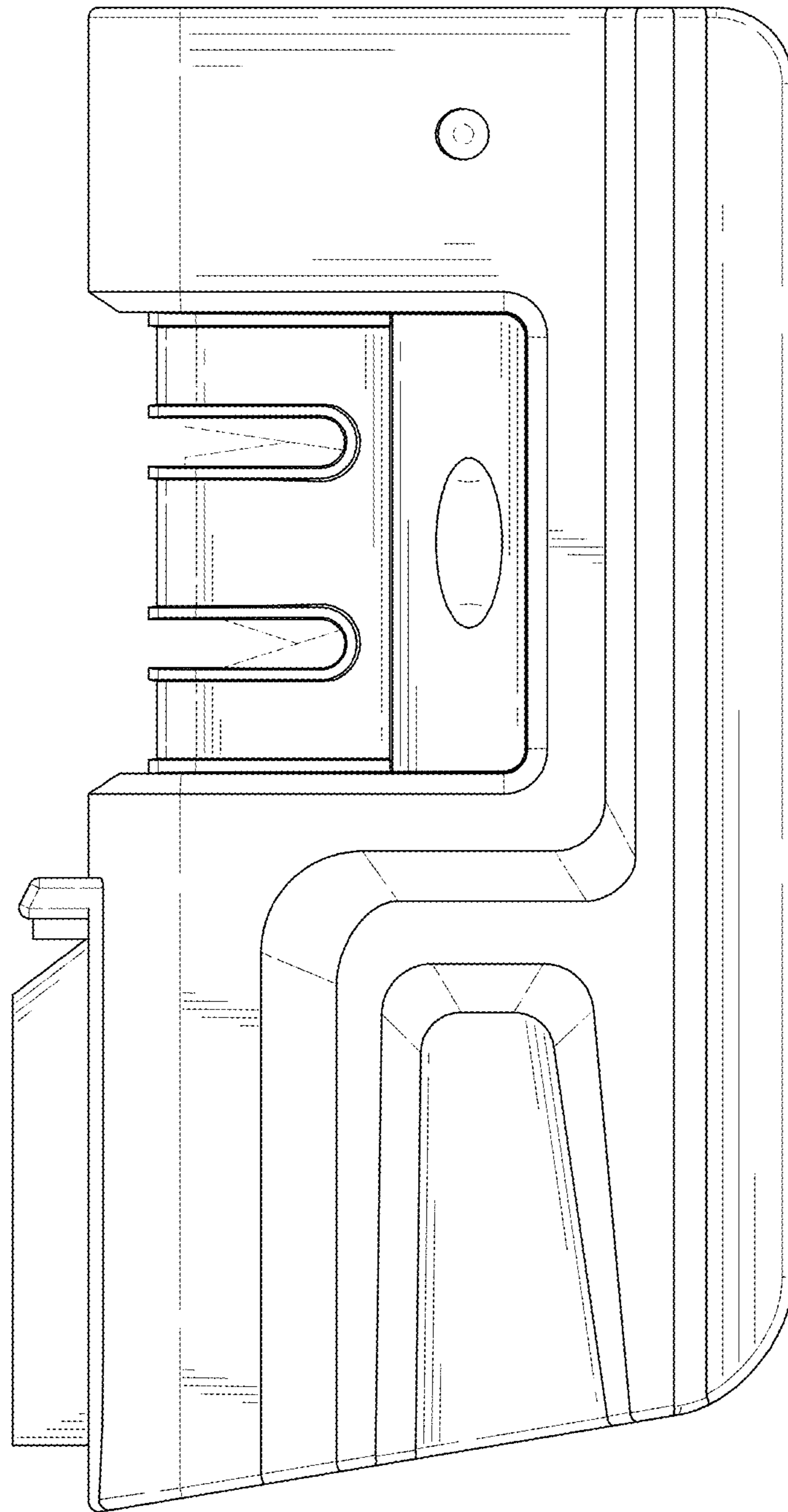


FIG. 6

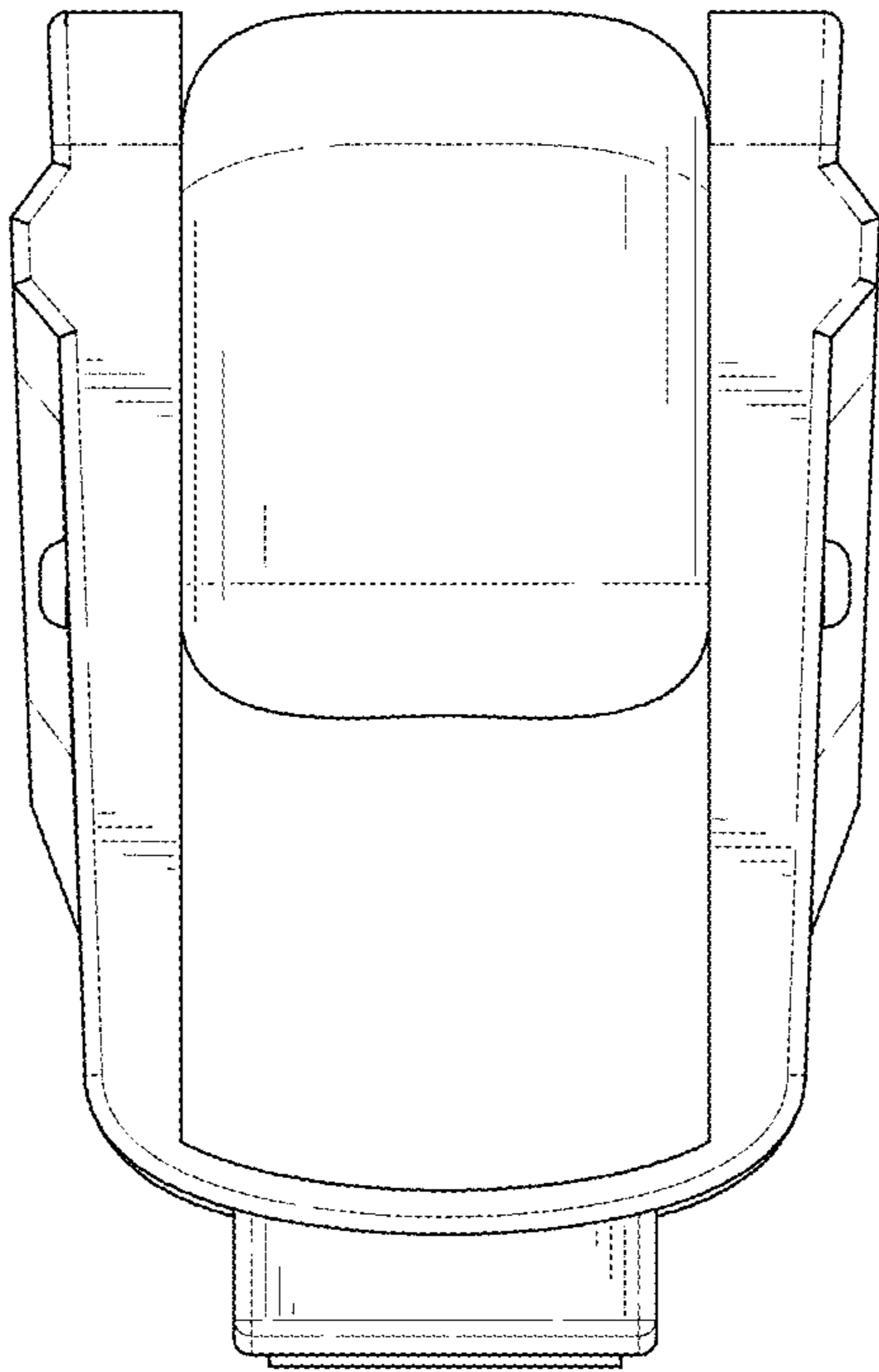


FIG. 7

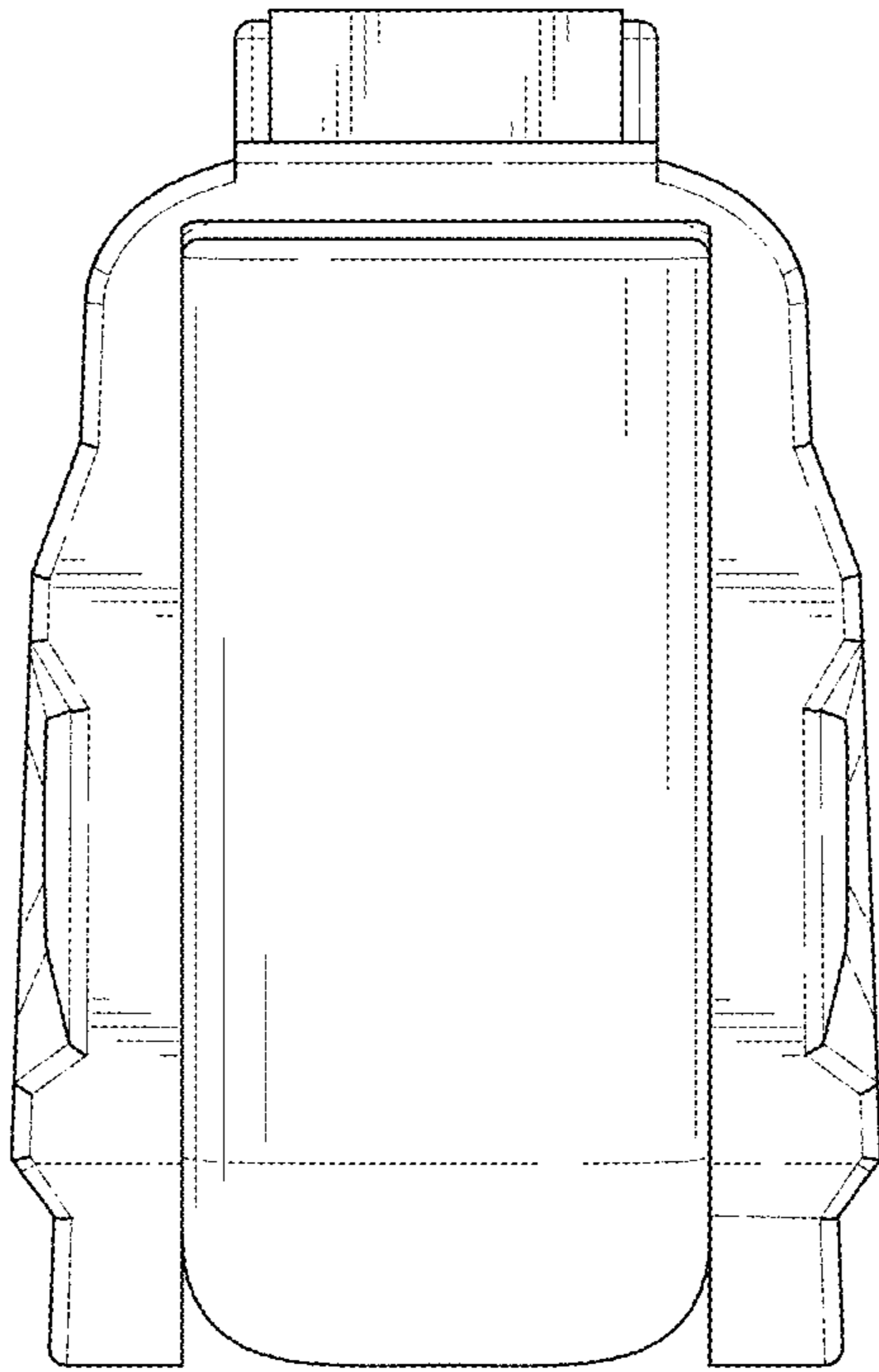


FIG. 8

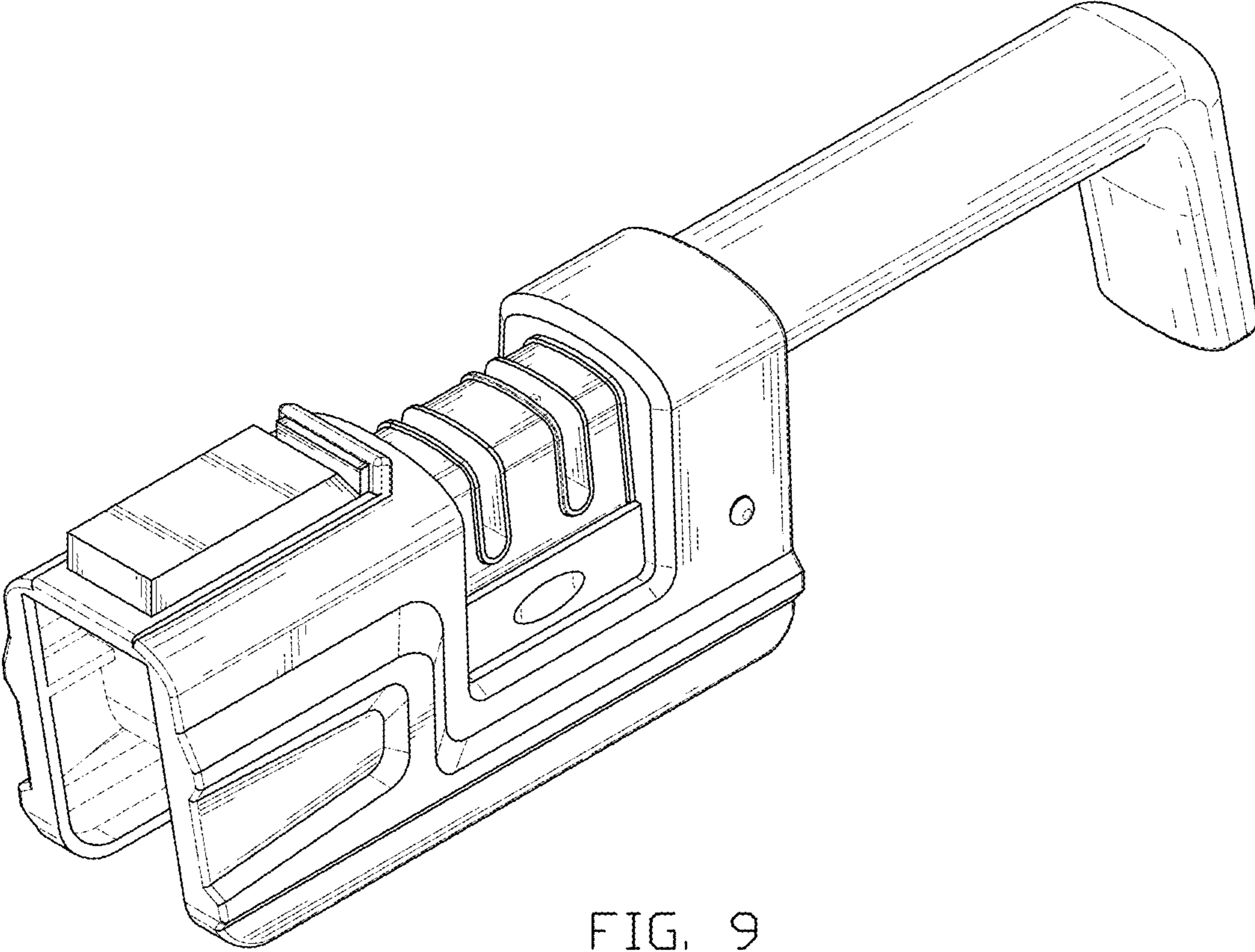


FIG. 9