



US00D898537S

(12) **United States Design Patent**
Christensen

(10) **Patent No.:** **US D898,537 S**

(45) **Date of Patent:** **** Oct. 13, 2020**

(54) **FIXTURE**

(71) Applicant: **9. Solutions Technology Co., Limited,**
Hong Kong (CN)

(72) Inventor: **Bo Christensen,** Nordborg (DK)

(73) Assignee: **9. SOLUTIONS TECHNOLOGY**
CO., LIMITED, Hong Kong (CN)

(**) Term: **15 Years**

(21) Appl. No.: **29/702,434**

(22) Filed: **Aug. 19, 2019**

(51) **LOC (12) Cl.** **08-05**

(52) **U.S. Cl.**
USPC **D8/72**

(58) **Field of Classification Search**
USPC D8/71-74, 394-399, 59; 248/63, 72,
248/74.1, 689, 124.2; 81/487, 385, 386,
81/388-390; 269/3, 4, 6, 143, 165, 240,
269/243, 246-249, 254 R, 147-149;
29/256, 257, 276; 408/103, 104-109
CPC B25B 1/00; B25B 5/00
See application file for complete search history.

(56) **References Cited**

U.S. PATENT DOCUMENTS

4,574,477 A * 3/1986 Lemkin B26F 1/0015
30/124
D307,105 S * 4/1990 Nusse D8/14.1
D376,974 S * 12/1996 Chen 24/274 WB
6,254,320 B1 * 7/2001 Weinstein B23B 47/287
408/103

D470,400 S * 2/2003 Fraser D8/396
D484,400 S * 12/2003 Blake D8/356
D521,366 S * 5/2006 Polak D8/383
7,101,123 B1 * 9/2006 Weinstein B23B 47/287
408/103
D552,978 S * 10/2007 Liao D8/395
8,166,745 B2 * 5/2012 Seiter B25B 27/22
59/7
D736,073 S * 8/2015 Eriksson D8/394
D738,713 S * 9/2015 Volin D8/394
D873,126 S * 1/2020 Tang D8/395

* cited by examiner

Primary Examiner — David G Muller

(74) *Attorney, Agent, or Firm* — Bruce Stone LLP;
Joseph A. Bruce

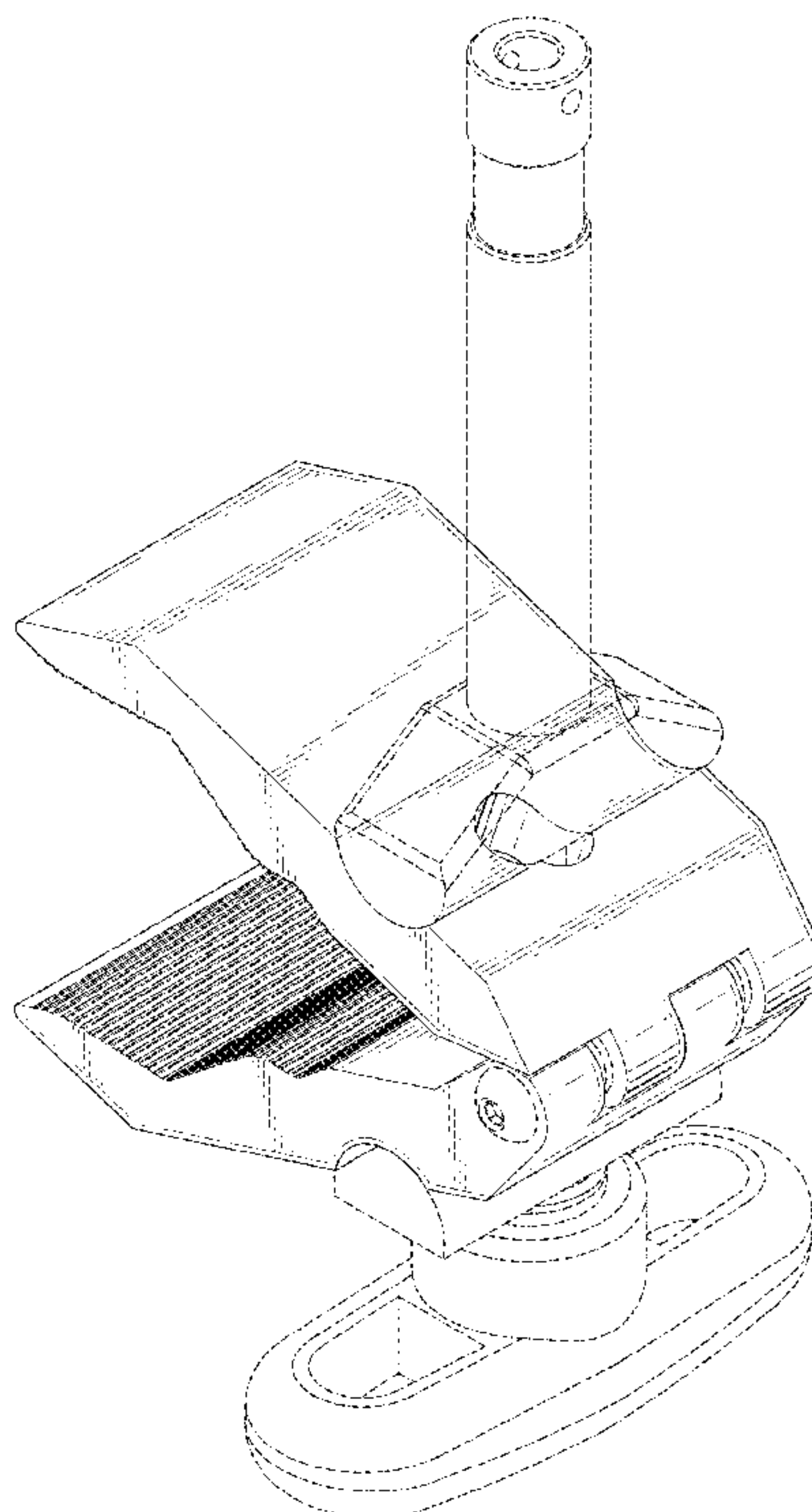
(57) **CLAIM**

The ornamental design for fixture, as shown and described.

DESCRIPTION

FIG. 1 is a perspective view of a fixture showing my new design;
FIG. 2 is a front view thereof;
FIG. 3 is a rear view thereof;
FIG. 4 is a left side view thereof;
FIG. 5 is a right side view thereof;
FIG. 6 is a top plan view thereof;
FIG. 7 is a bottom plan view thereof; and,
FIG. 8 is perspective view thereof shown in use.
The broken lines in the drawings represent unclaimed environment only and form no part of claimed design.

1 Claim, 7 Drawing Sheets



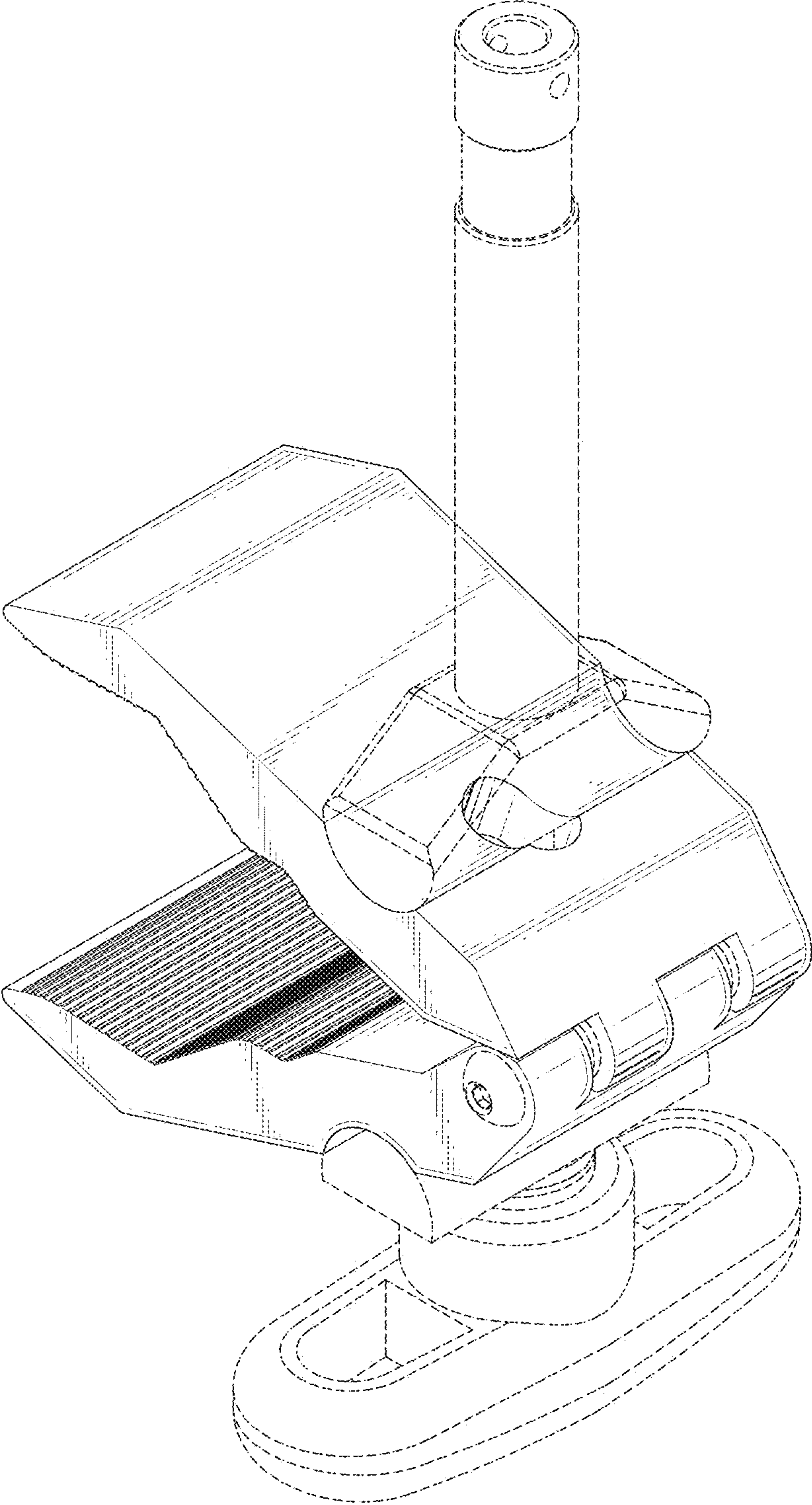


FIG. 1

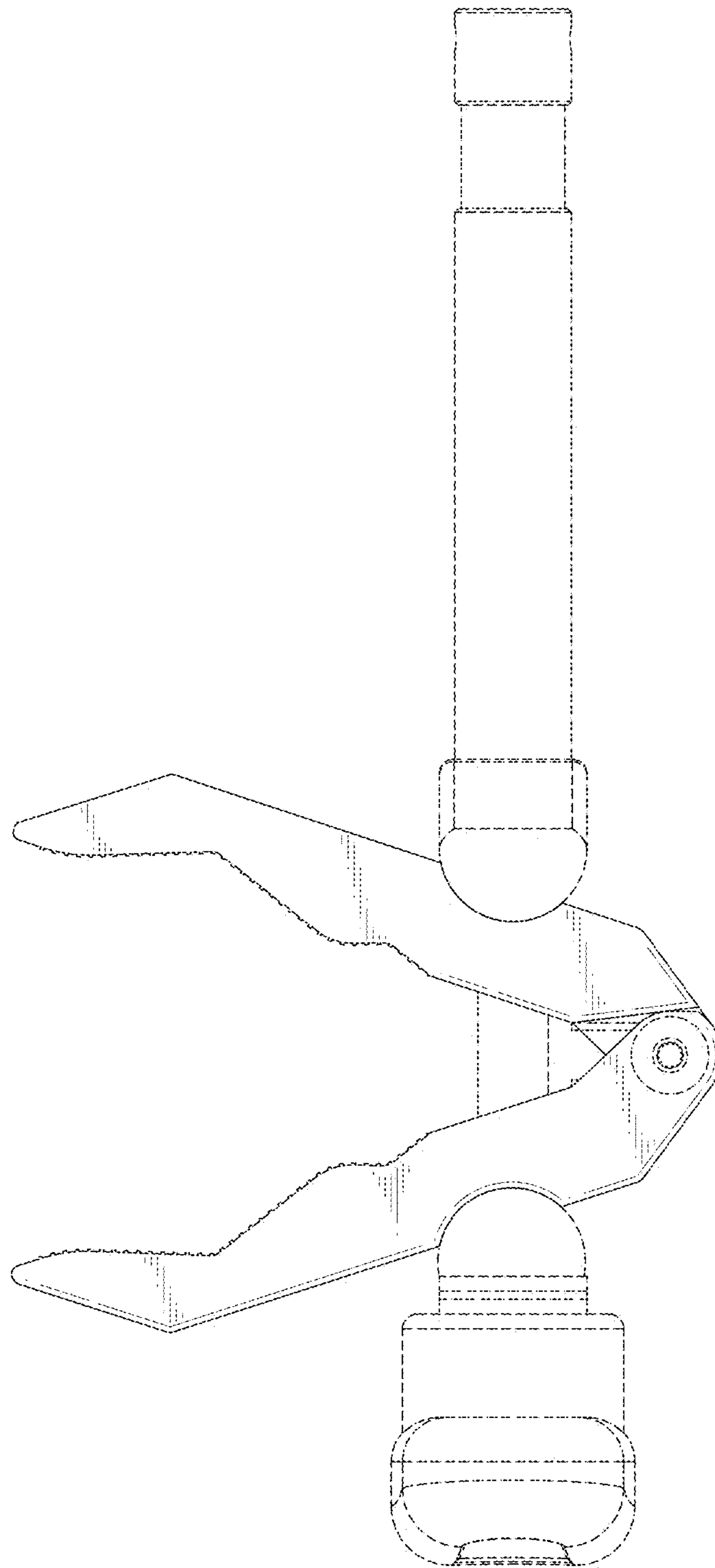


FIG.2

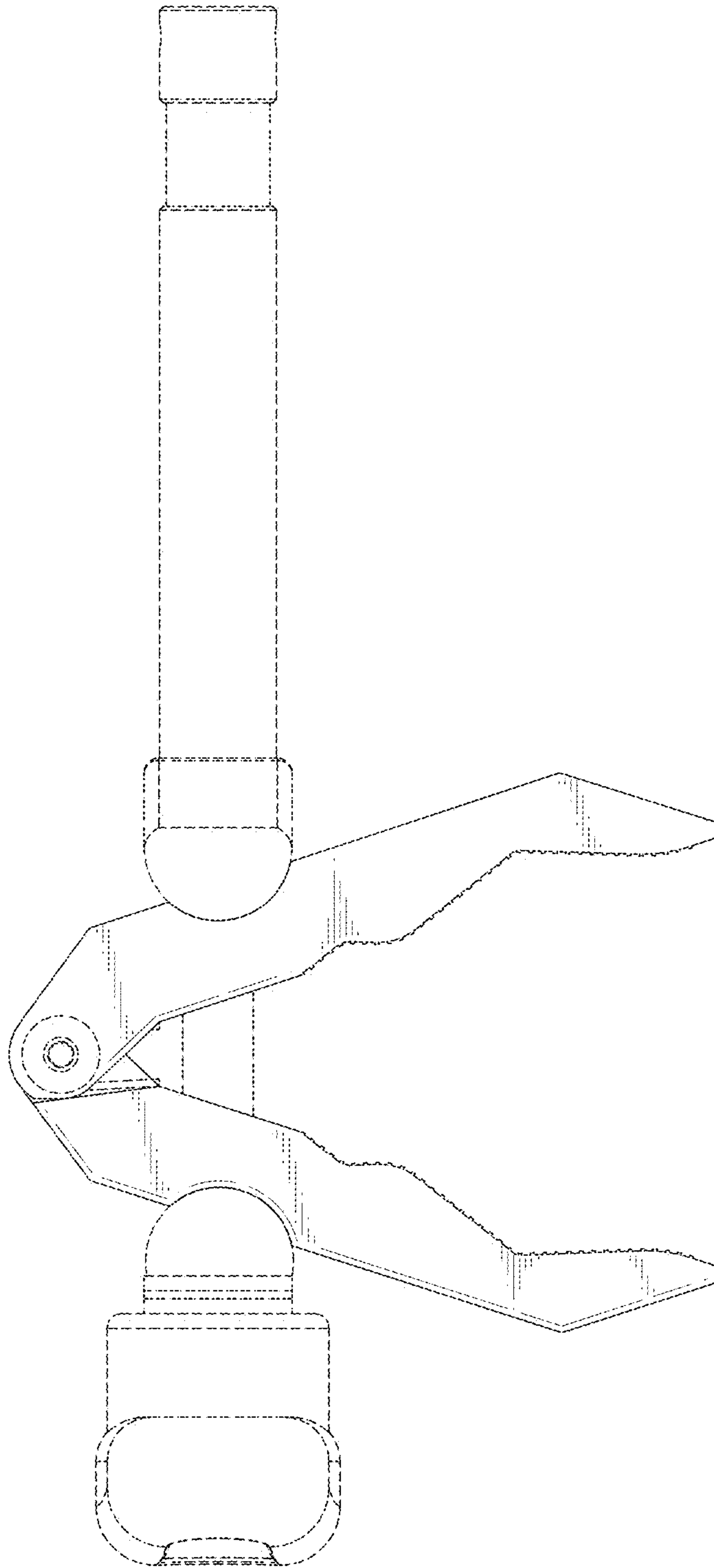


FIG.3

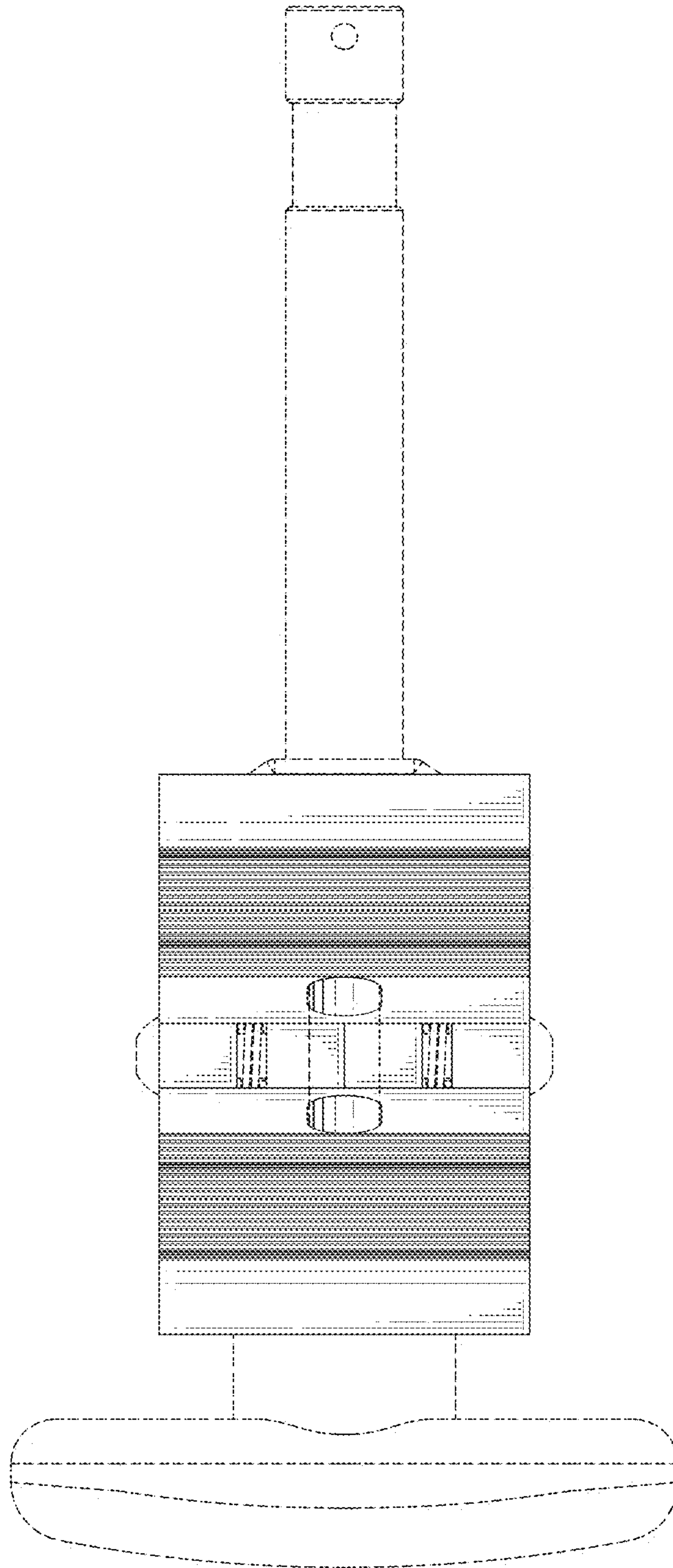


FIG.4

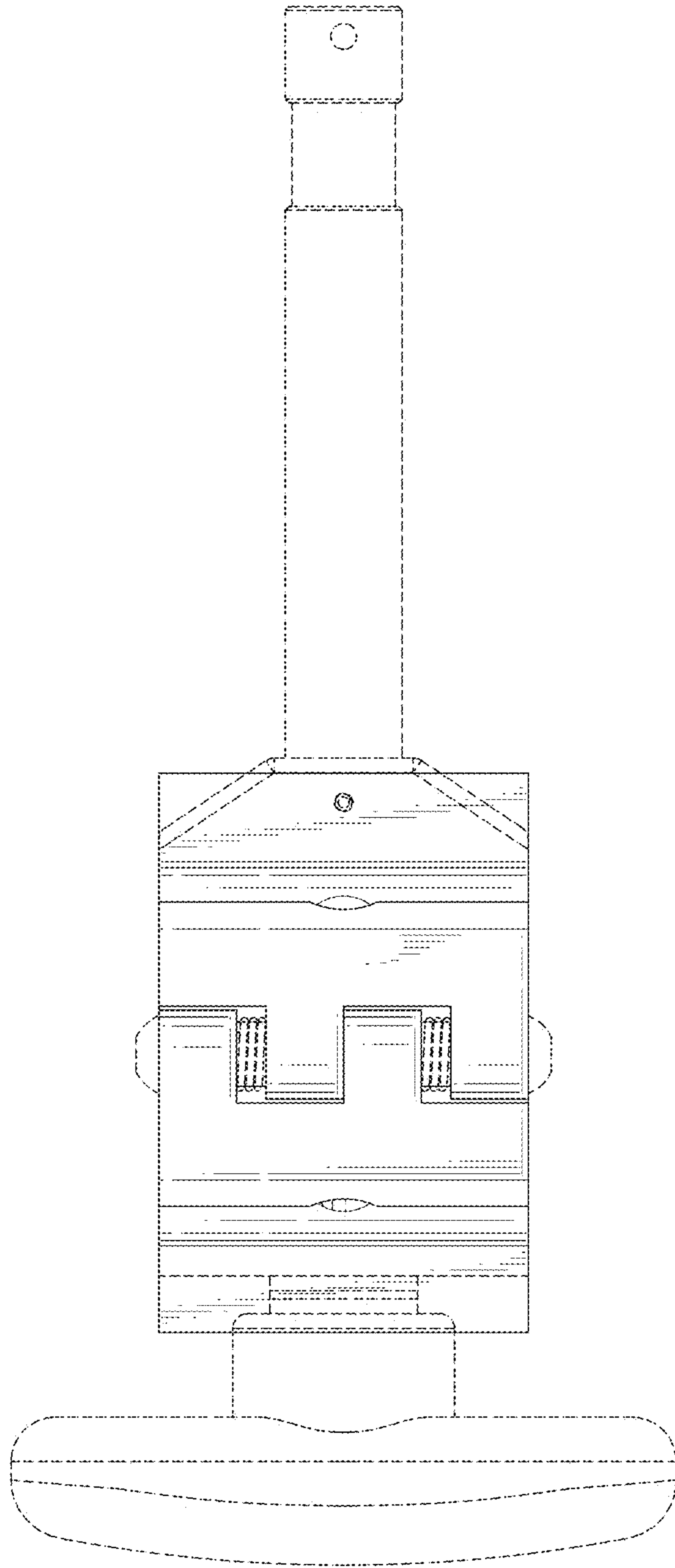


FIG.5

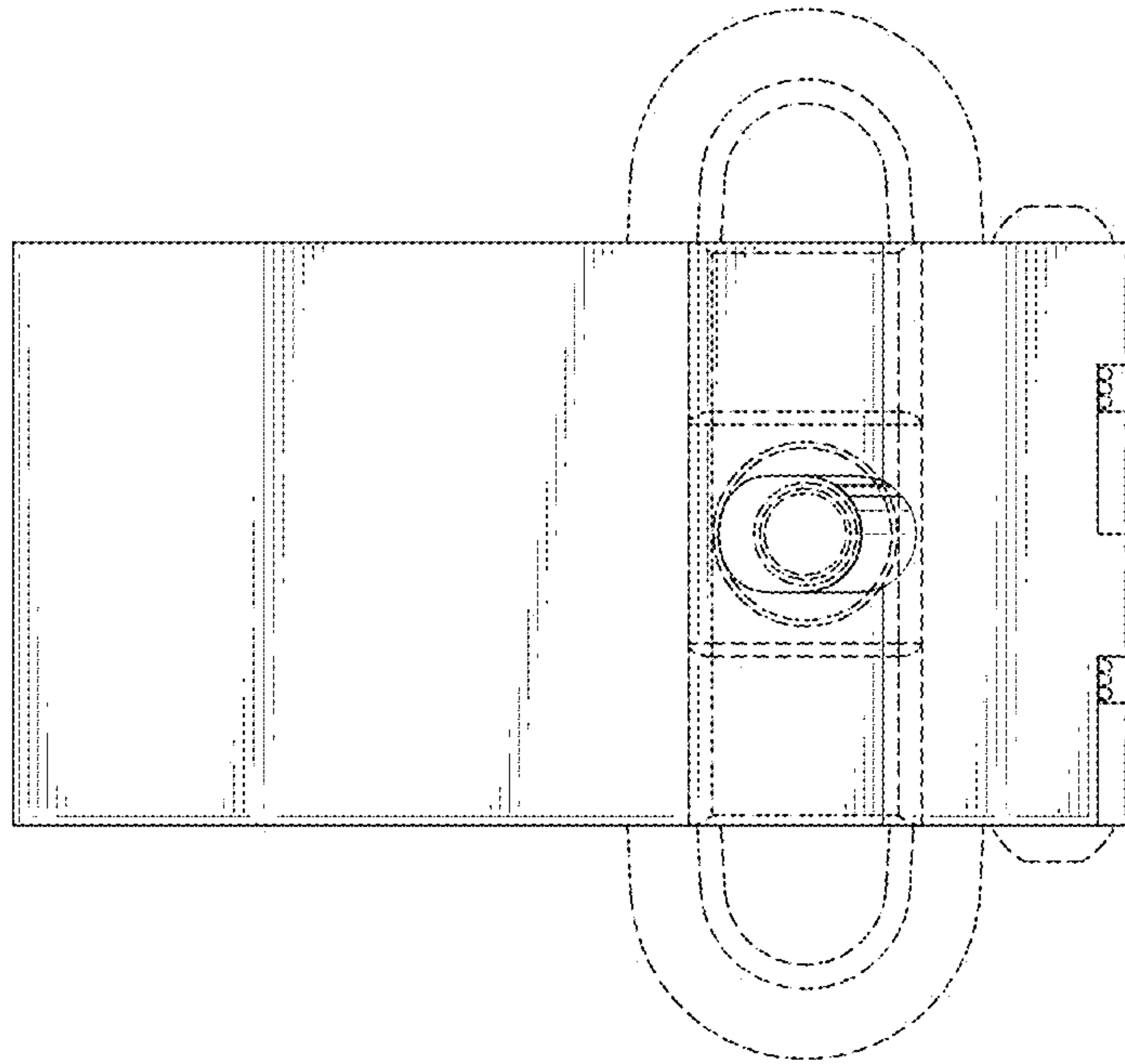


FIG. 6

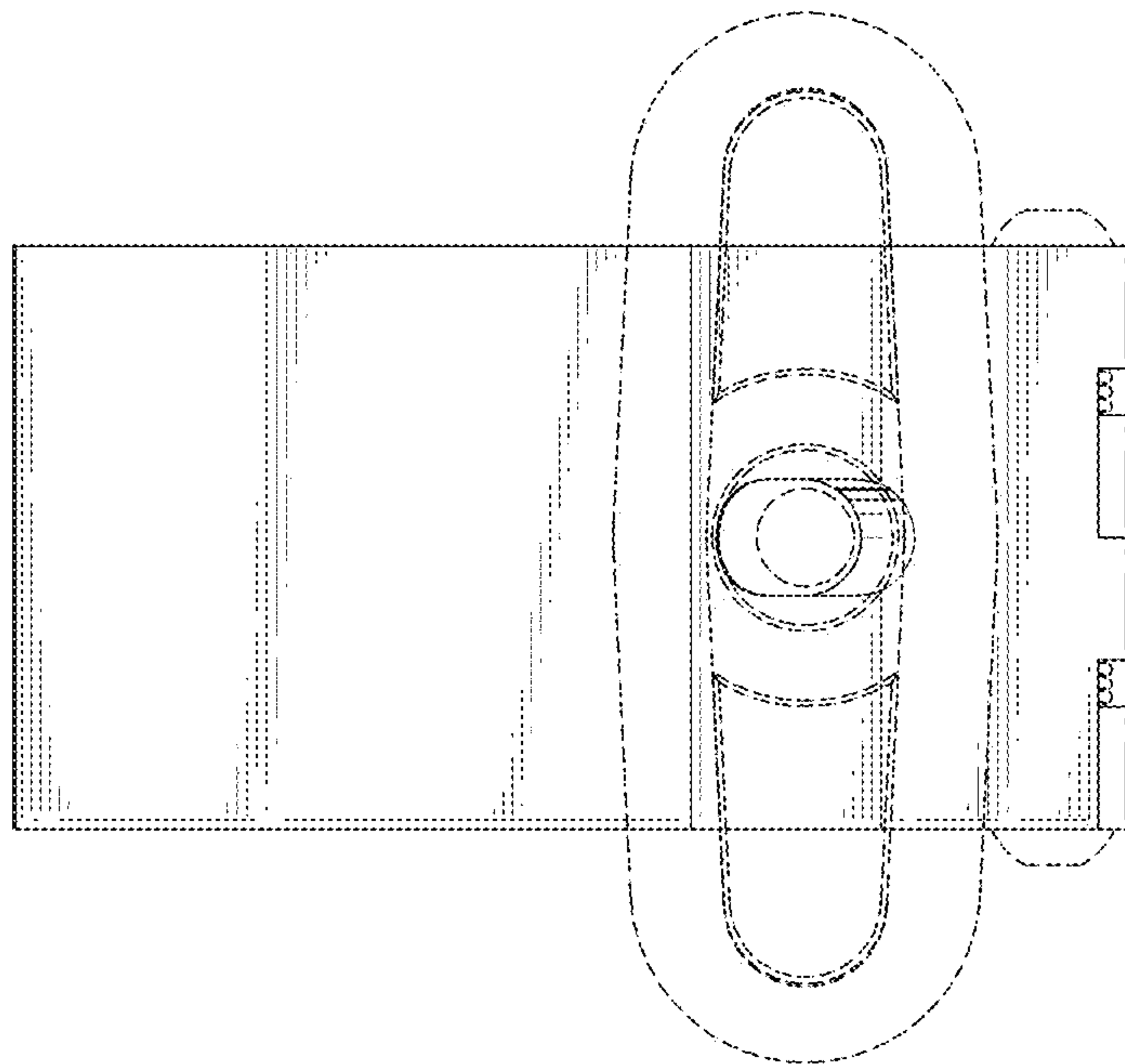


FIG. 7

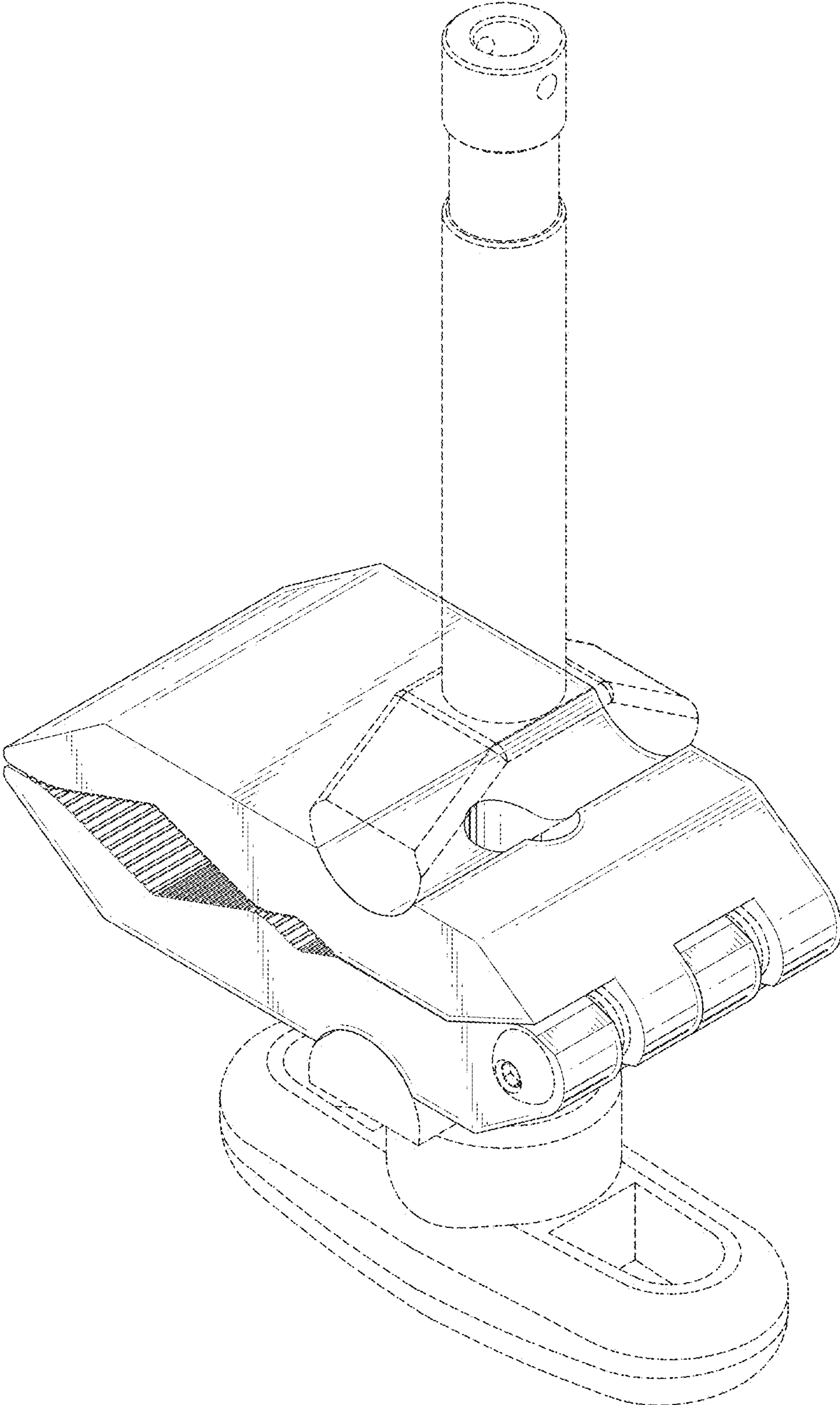


FIG. 8