



US00D898536S

(12) **United States Design Patent**
Li et al.

(10) **Patent No.:** **US D898,536 S**

(45) **Date of Patent:** **** Oct. 13, 2020**

(54) **IMPACT DRILL**

(71) Applicant: **Shenzhen Allsight E-business Co., Ltd.**, Shenzhen (CN)

(72) Inventors: **Mingkai Li**, Shenzhen (CN); **Lixing Du**, Shenzhen (CN)

(**) Term: **15 Years**

(21) Appl. No.: **29/672,486**

(22) Filed: **Dec. 6, 2018**

(51) **LOC (12) Cl.** **08-05**

(52) **U.S. Cl.**
USPC **D8/68**

(58) **Field of Classification Search**
USPC D8/61, 67, 68
CPC B62D 23/005; B62D 29/00; B62D 29/043;
B62D 31/00; B62D 33/046; B62D 35/00;
B62D 35/001; B60Q 1/0005

See application file for complete search history.

D593,831 S * 6/2009 Van Wambeke D8/68
D594,725 S * 6/2009 Robson D8/68
D599,639 S * 9/2009 Bradford D8/68
D605,014 S * 12/2009 Yamamoto D8/68
D607,704 S * 1/2010 Murray D8/68
D607,705 S * 1/2010 Murray D8/68
D608,173 S * 1/2010 Ng D8/68
D608,175 S * 1/2010 Netzler D8/68
D609,072 S * 2/2010 Van Wambeke D8/68
D610,419 S * 2/2010 Aoki D8/68
D610,420 S * 2/2010 Kosugi D8/68
D610,422 S * 2/2010 Houghton D8/68
D611,319 S * 3/2010 Van Wambeke D8/68
D617,621 S * 6/2010 Houghton D8/68
D618,975 S * 7/2010 Yamamoto D8/68
D626,394 S * 11/2010 Lopano D8/68
D628,039 S * 11/2010 Aoki D8/68
D642,037 S * 7/2011 Miller D8/68
D642,038 S * 7/2011 Murray D8/68
D644,495 S * 9/2011 Misaki D8/68
D646,947 S * 10/2011 Lopano D8/68
D670,989 S * 11/2012 Kawase D8/61

(Continued)

Primary Examiner — Darlington Ly

(57) **CLAIM**

The ornamental design for an impact drill, as show and described.

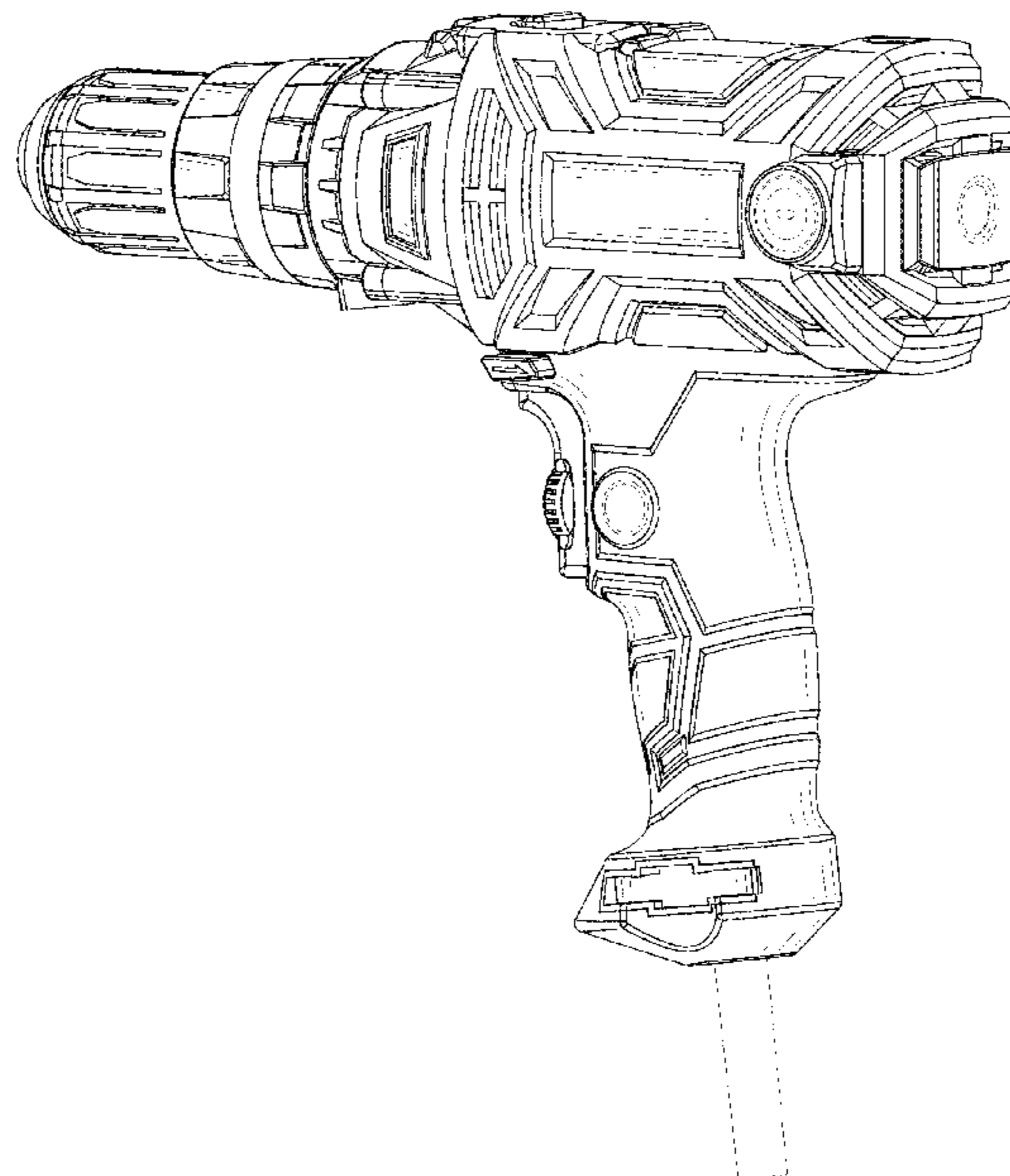
DESCRIPTION

FIG. 1 is a front elevational view of an impact drill showing our new design;
FIG. 2 is a rear elevational view thereof;
FIG. 3 is a left side elevational view thereof;
FIG. 4 is a right side elevational view thereof;
FIG. 5 is a top plan view thereof;
FIG. 6 is a bottom plan view thereof; and,
FIG. 7 is a front and right side perspective view thereof.
The broken lines illustrate portions of the impact drill that form no part of the claimed design.

1 Claim, 7 Drawing Sheets

(56) **References Cited**
U.S. PATENT DOCUMENTS

D466,777 S * 12/2002 Watson D8/68
D501,779 S * 2/2005 Watson D8/68
D506,914 S * 7/2005 Okuda D8/68
D511,080 S * 11/2005 Koch D8/68
D514,909 S * 2/2006 Bosch D8/68
D515,381 S * 2/2006 Ng D8/68
D525,848 S * 8/2006 Kokawa D8/68
D527,971 S * 9/2006 Kokawa D8/68
D534,404 S * 1/2007 Concari D8/68
D539,110 S * 3/2007 Okuda D8/68
D543,081 S * 5/2007 Watson D8/68
D559,061 S * 1/2008 Concari D8/68
D587,083 S * 2/2009 Misaki D8/68
D587,084 S * 2/2009 Van Wambeke D8/68
D587,544 S * 3/2009 Lopano D8/68
D589,317 S * 3/2009 Okuda D8/68



(56)

References Cited

U.S. PATENT DOCUMENTS

D673,436 S *	1/2013	Murray	D8/68
D673,437 S *	1/2013	Schoch	D8/68
D675,500 S *	2/2013	Taniguchi	D8/68
D678,744 S *	3/2013	Aoki	D8/68
D682,650 S *	5/2013	Kawase	D8/61
D700,821 S *	3/2014	Tschopp	D8/68
D708,496 S *	7/2014	Zhou	D8/68
D715,617 S *	10/2014	Aoki	D8/68
D722,854 S *	2/2015	Beukema	D8/68
D735,006 S *	7/2015	Aoki	D8/68
D750,460 S *	3/2016	Miller	D8/68
D774,864 S *	12/2016	Uematsu	D8/68
D785,427 S *	5/2017	Kosugi	D8/68

* cited by examiner

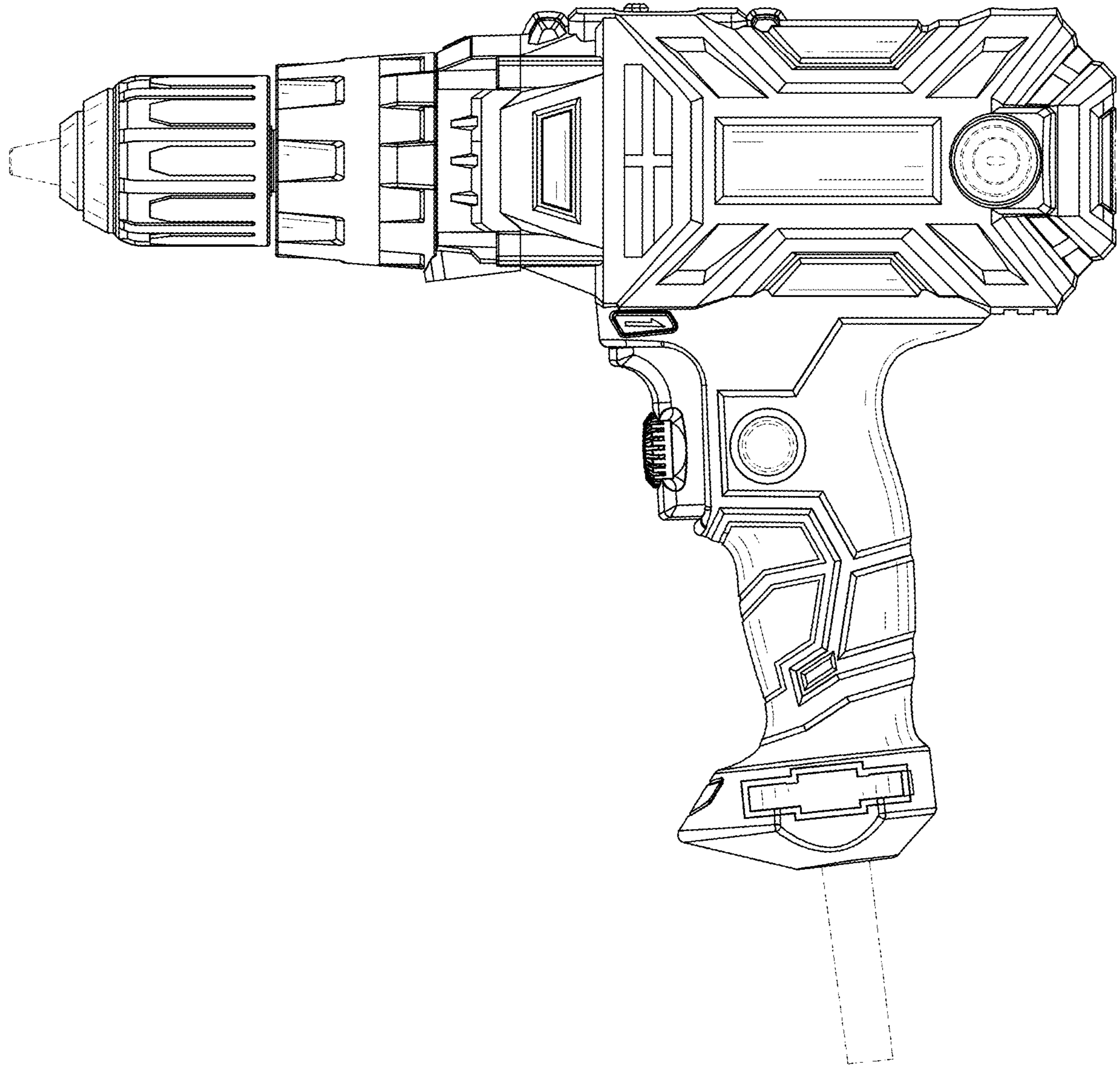


FIG. 1

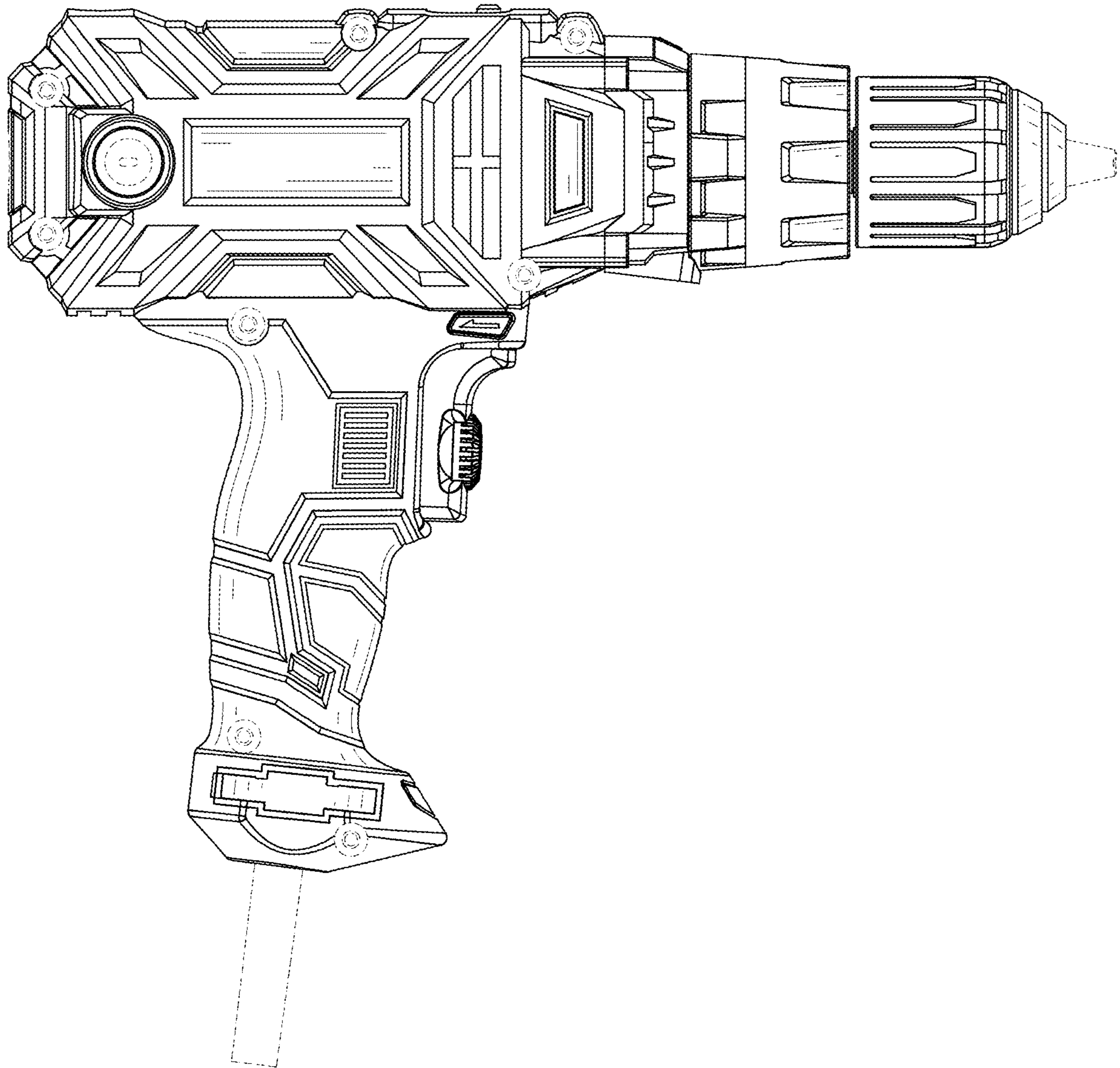


FIG. 2

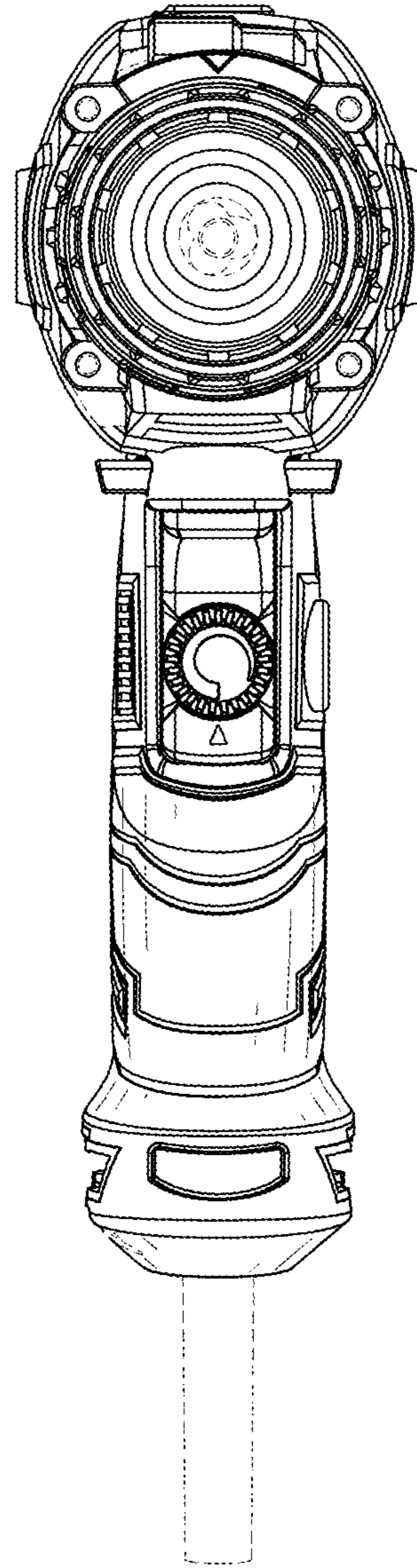


FIG. 3

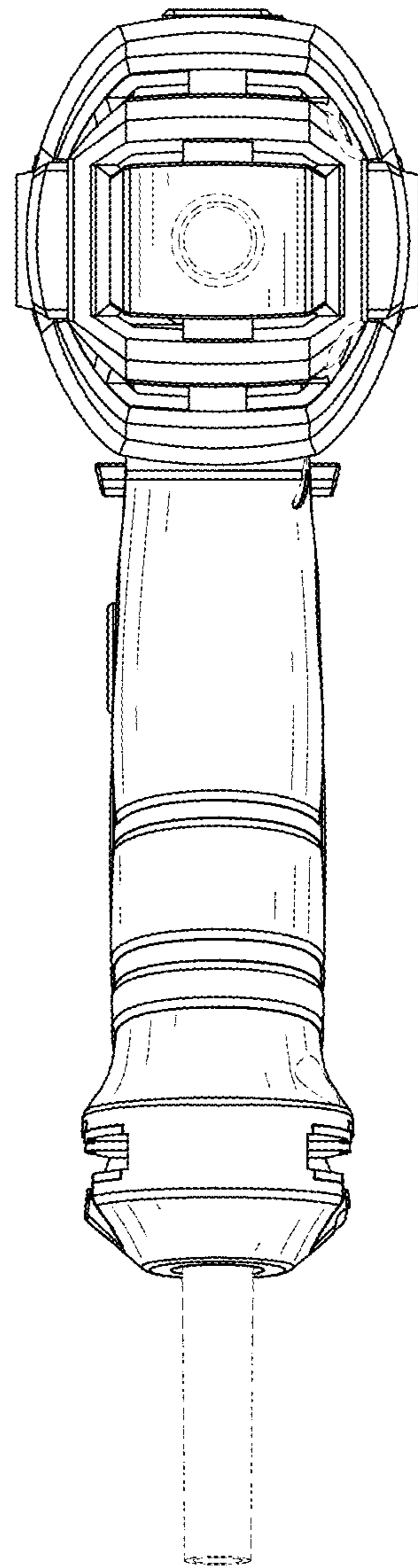


FIG. 4

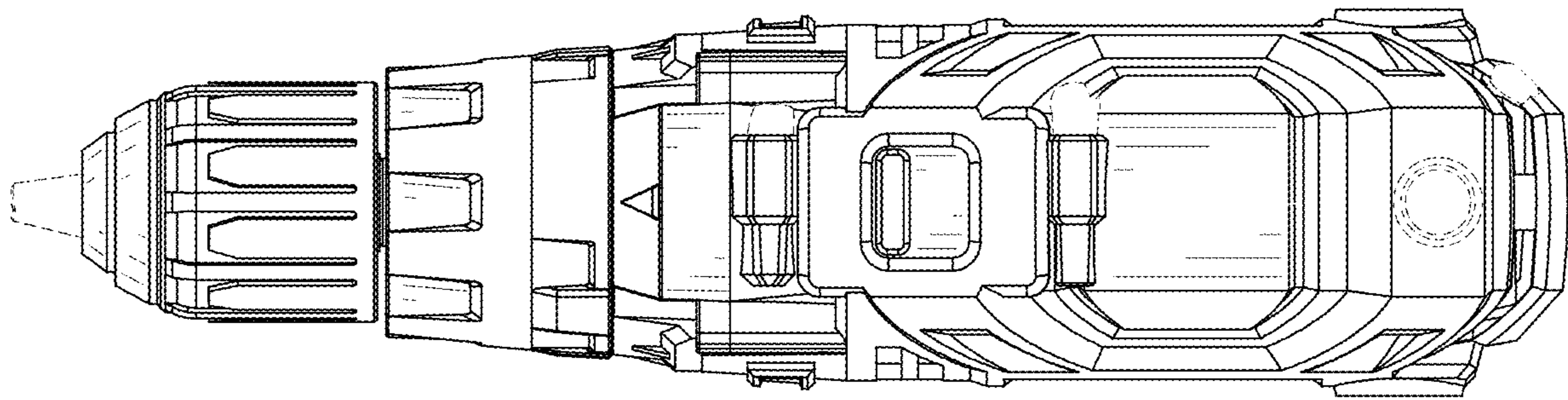


FIG. 5

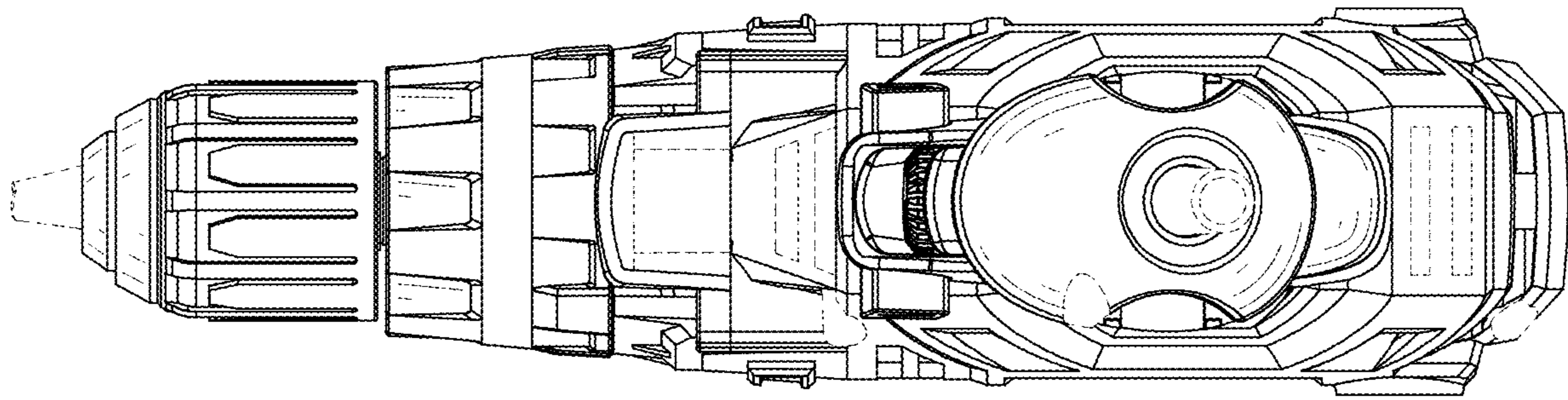


FIG. 6

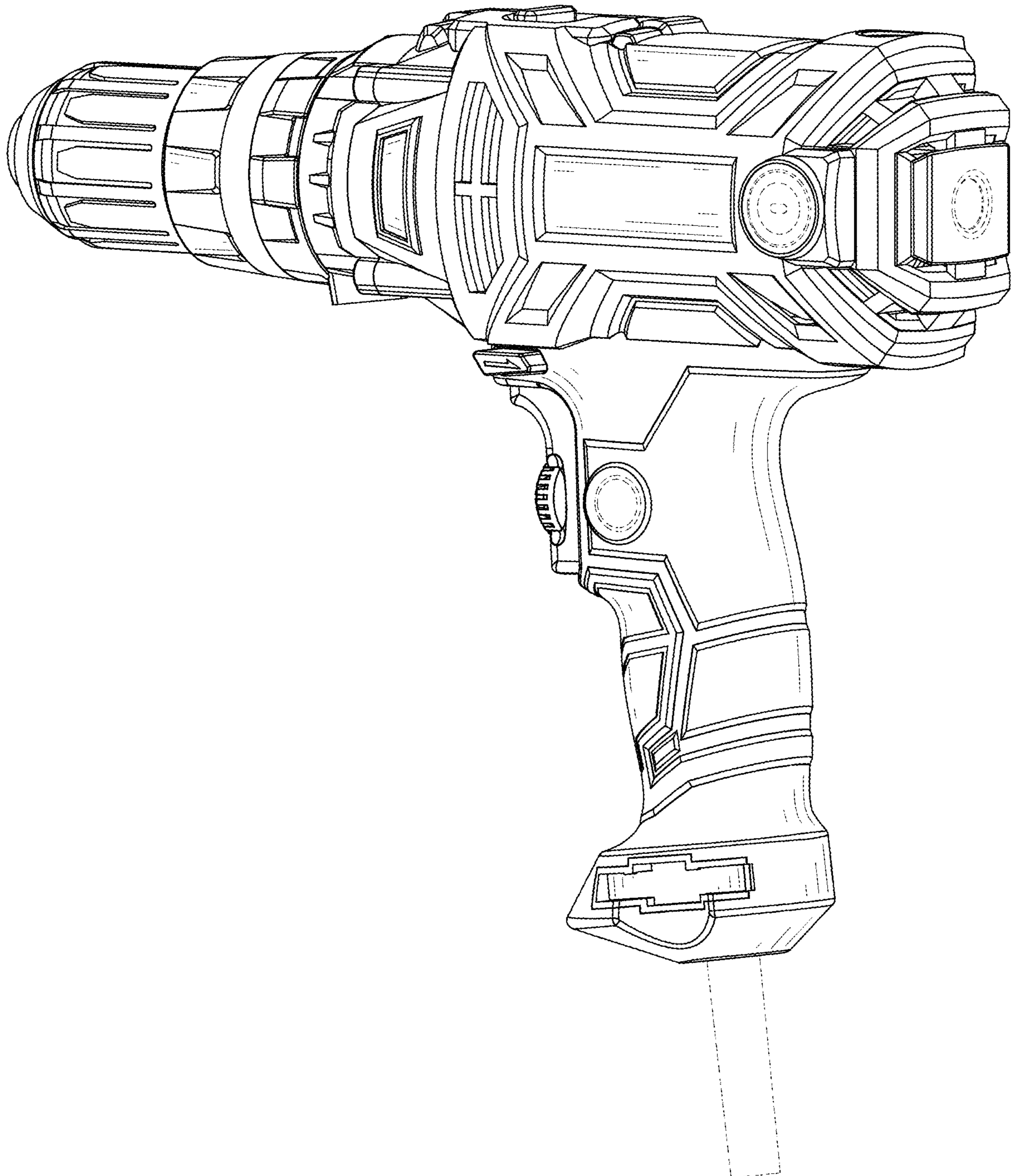


FIG. 7