



US00D898535S

(12) **United States Design Patent**
Lundbaeck et al.

(10) **Patent No.:** **US D898,535 S**
(45) **Date of Patent:** **** Oct. 13, 2020**

(54) **JIGSAW**
(71) Applicant: **Robert Bosch GmbH**, Stuttgart (DE)
(72) Inventors: **Andreas Lundbaeck**, Stockholm (SE);
Richard Borrett, Dunedin (NZ); **Zoran Tasic**, Esslingen (DE)
(73) Assignee: **Robert Bosch GmbH**, Stuttgart (DE)
(**) Term: **15 Years**
(21) Appl. No.: **29/688,099**

D524,620 S * 7/2006 Netzler D8/64
D525,844 S * 8/2006 Netzler D8/64
D527,598 S * 9/2006 Netzler D8/64
D599,183 S * 9/2009 Bradford D8/64
D882,363 S * 4/2020 Lundbaeck D8/64

* cited by examiner

Primary Examiner — Austin Murphy
(74) *Attorney, Agent, or Firm* — Maginot, Moore & Beck LLP

(22) Filed: **Apr. 18, 2019**
(30) **Foreign Application Priority Data**

Oct. 19, 2018 (EM) 005803251
(51) **LOC (12) Cl.** **08-03**
(52) **U.S. Cl.**
USPC **D8/64**
(58) **Field of Classification Search**
USPC D8/69, 68, 67, 66, 64, 61; 83/747,
83/699.21; 310/50; 30/394, 393, 392,
30/391, 390, 377, 376; 173/216, 217
CPC B27B 19/09; B23D 49/162; B23D 49/165;
B23D 49/167; B25F 5/02
See application file for complete search history.

(57) **CLAIM**

The ornamental design for a jigsaw, as shown and described.

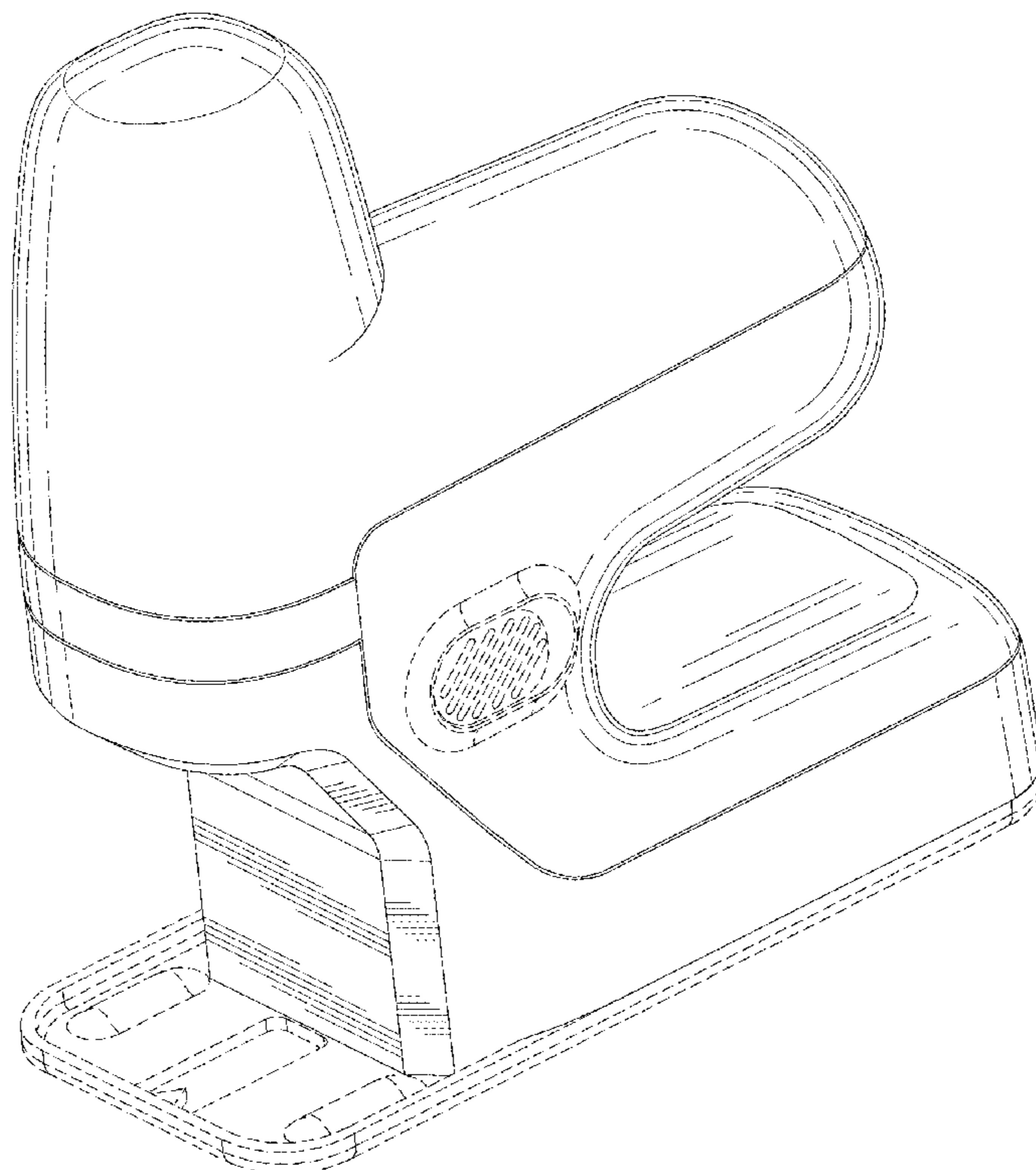
DESCRIPTION

FIG. 1 is a perspective view of a jigsaw showing our new design;
FIG. 2 is a right side elevational view of the jigsaw of FIG. 1;
FIG. 3 is a left side elevational view of the jigsaw of FIG. 1;
FIG. 4 is a front side elevational view of the jigsaw of FIG. 1;
FIG. 5 is a rear side elevational view of the jigsaw of FIG. 1;
FIG. 6 is a top plan view of the jigsaw of FIG. 1; and,
FIG. 7 is a bottom plan view of the jigsaw of FIG. 1.
The broken lines shown in the drawings illustrate portions of the jigsaw that form no part of the claimed design.

(56) **References Cited**
U.S. PATENT DOCUMENTS

D468,983 S * 1/2003 Kondo D8/64
D491,034 S * 6/2004 Evans D8/64

1 Claim, 7 Drawing Sheets



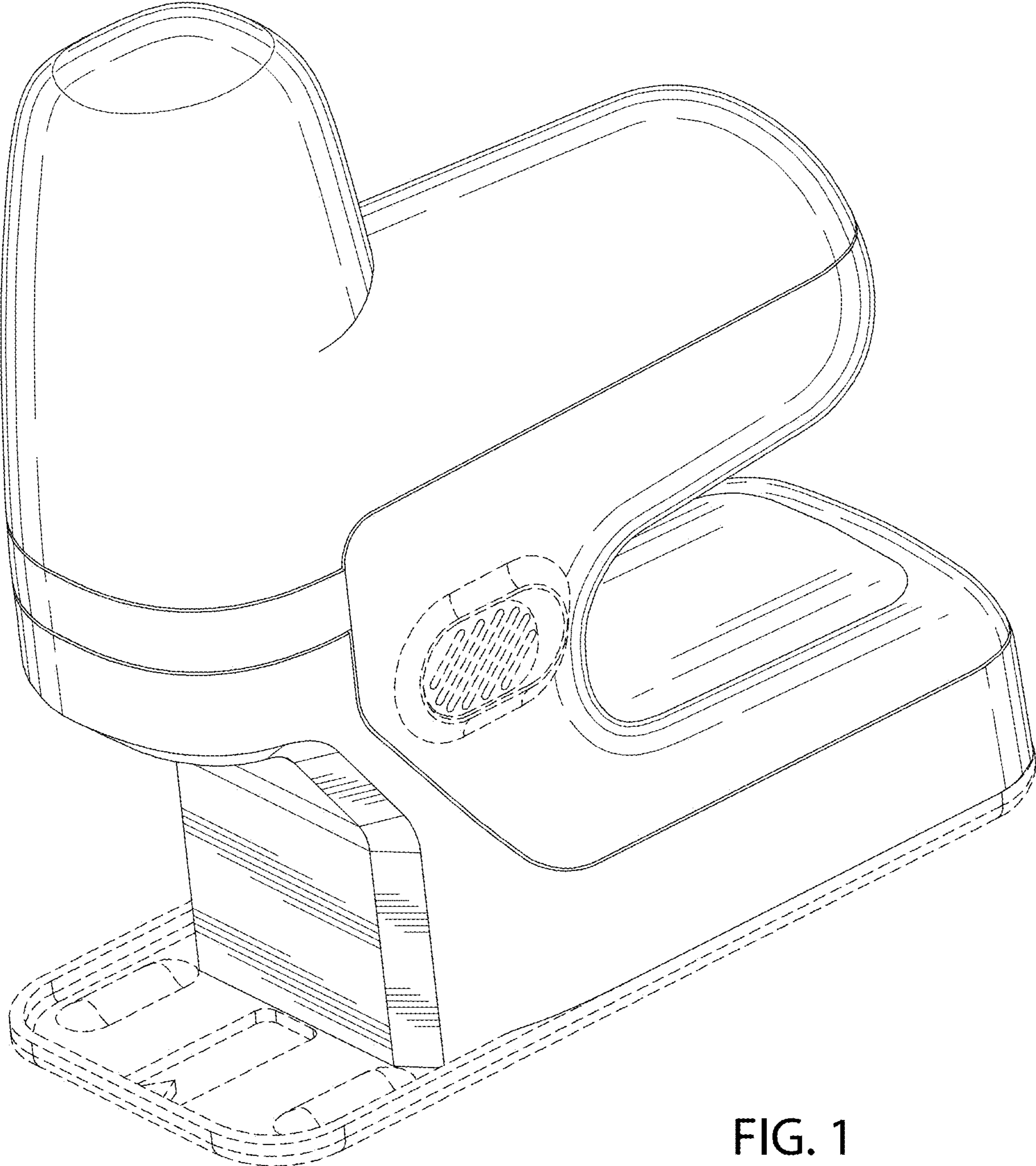


FIG. 1

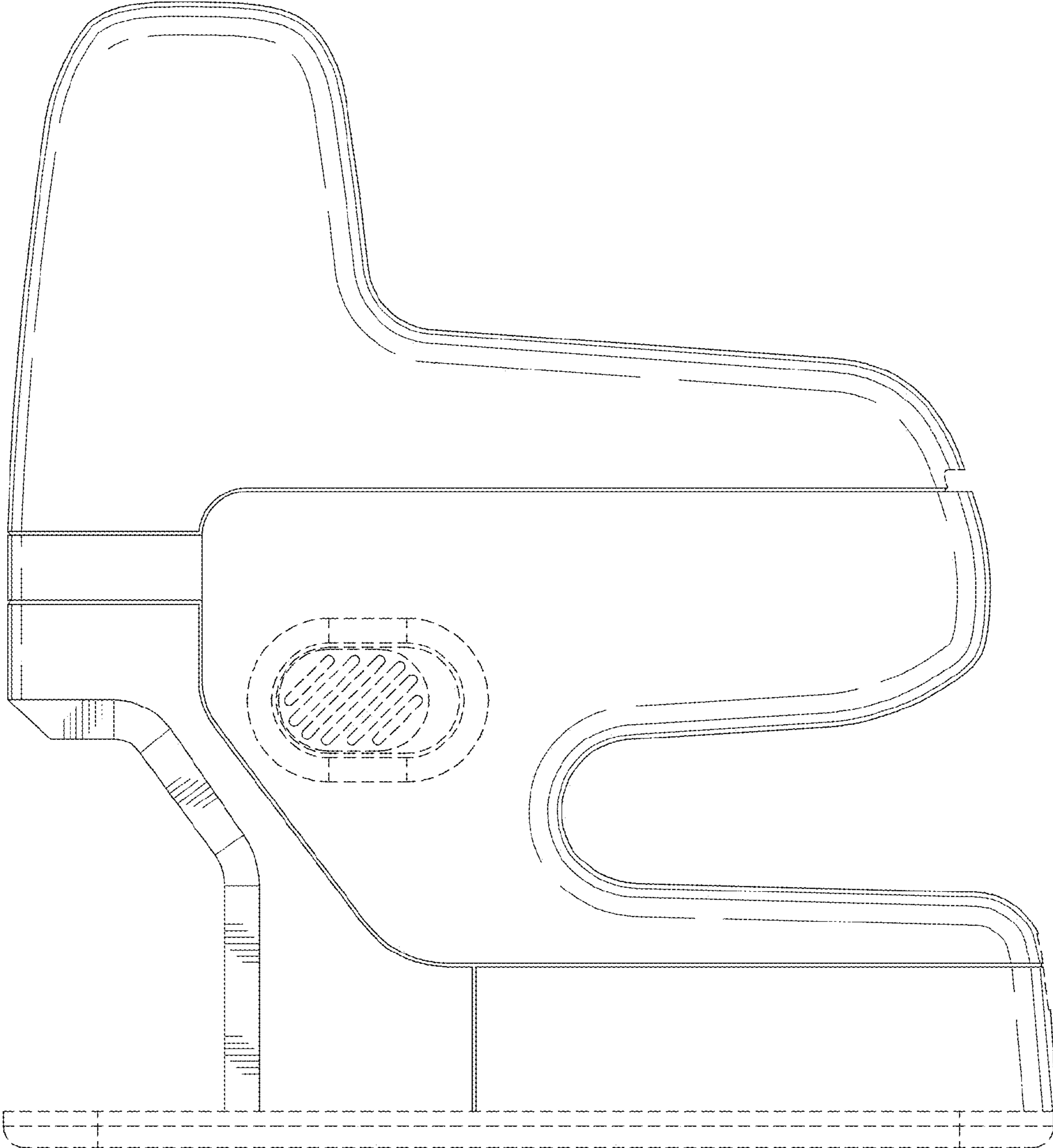


FIG. 2

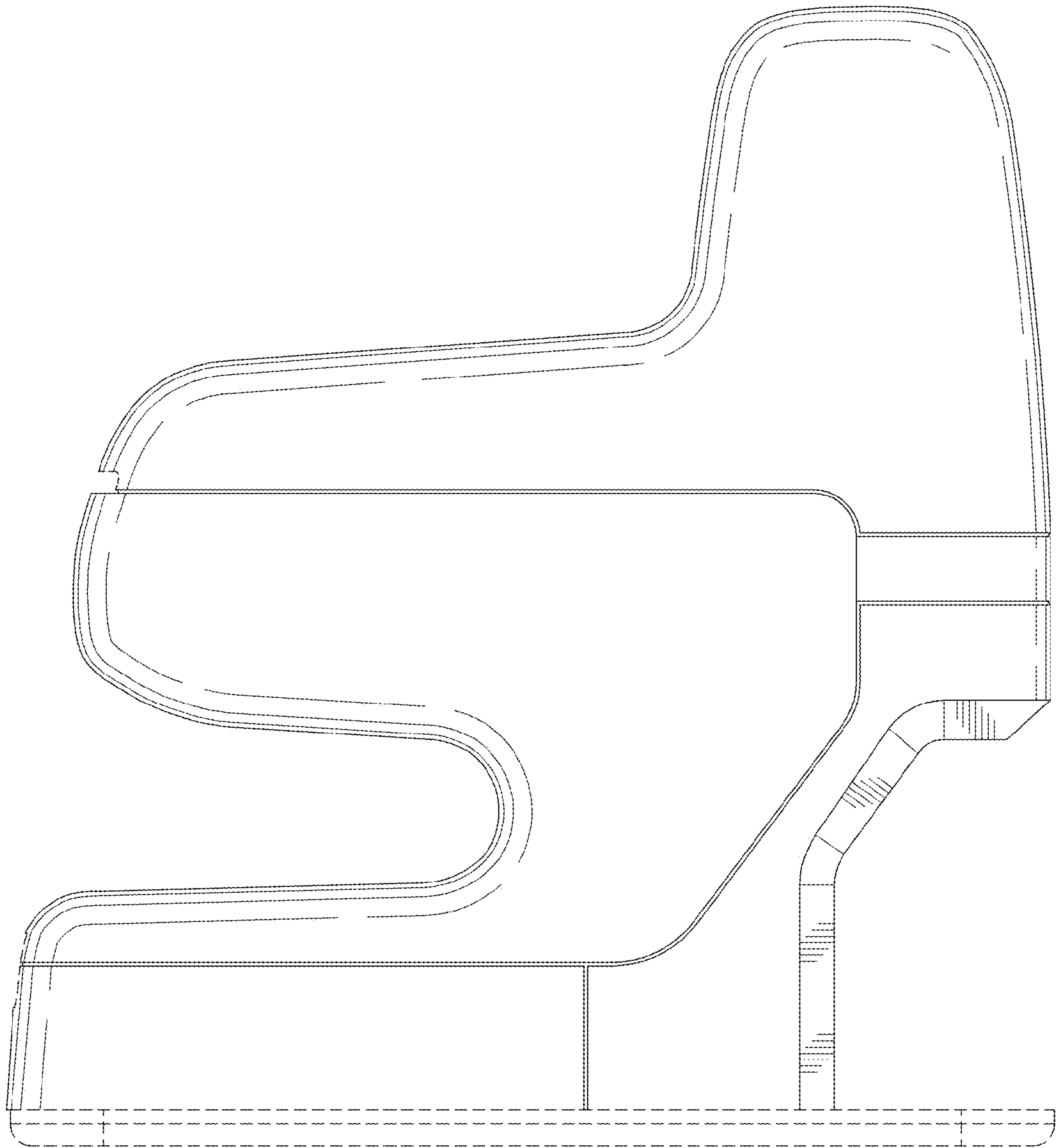


FIG. 3

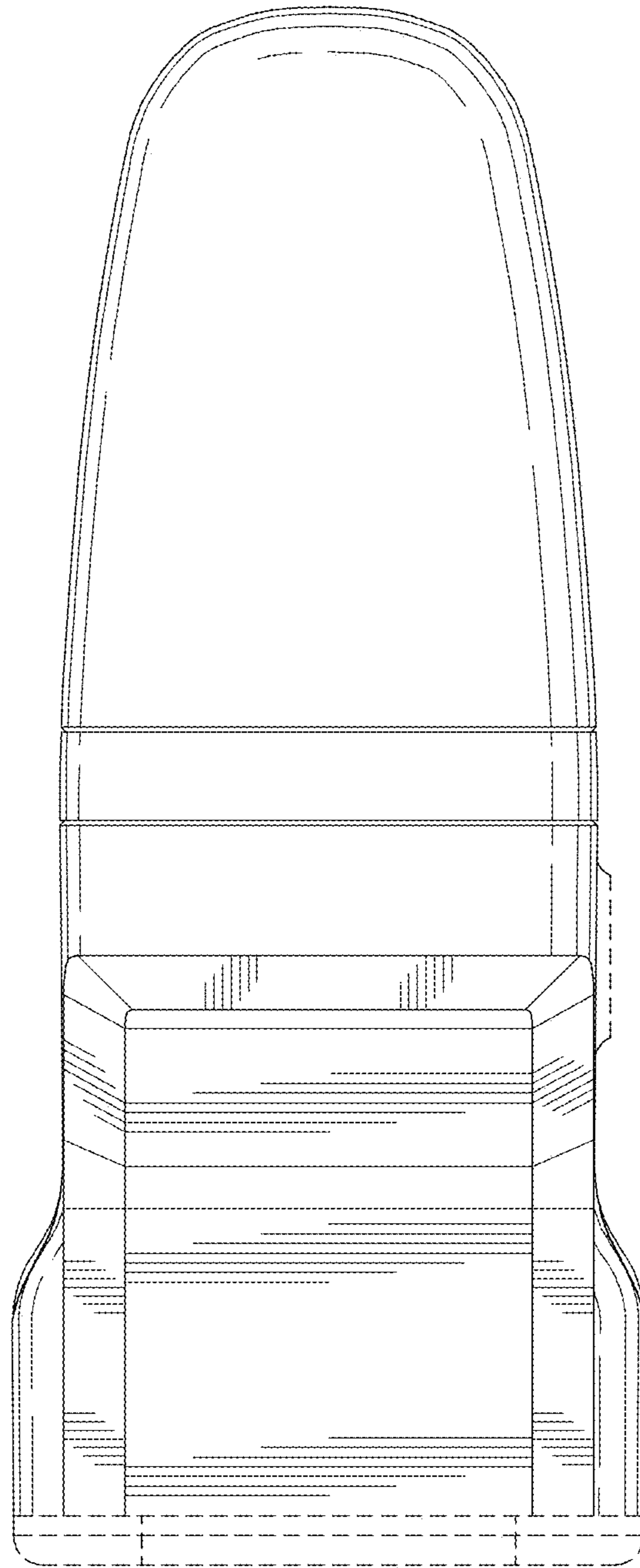


FIG. 4

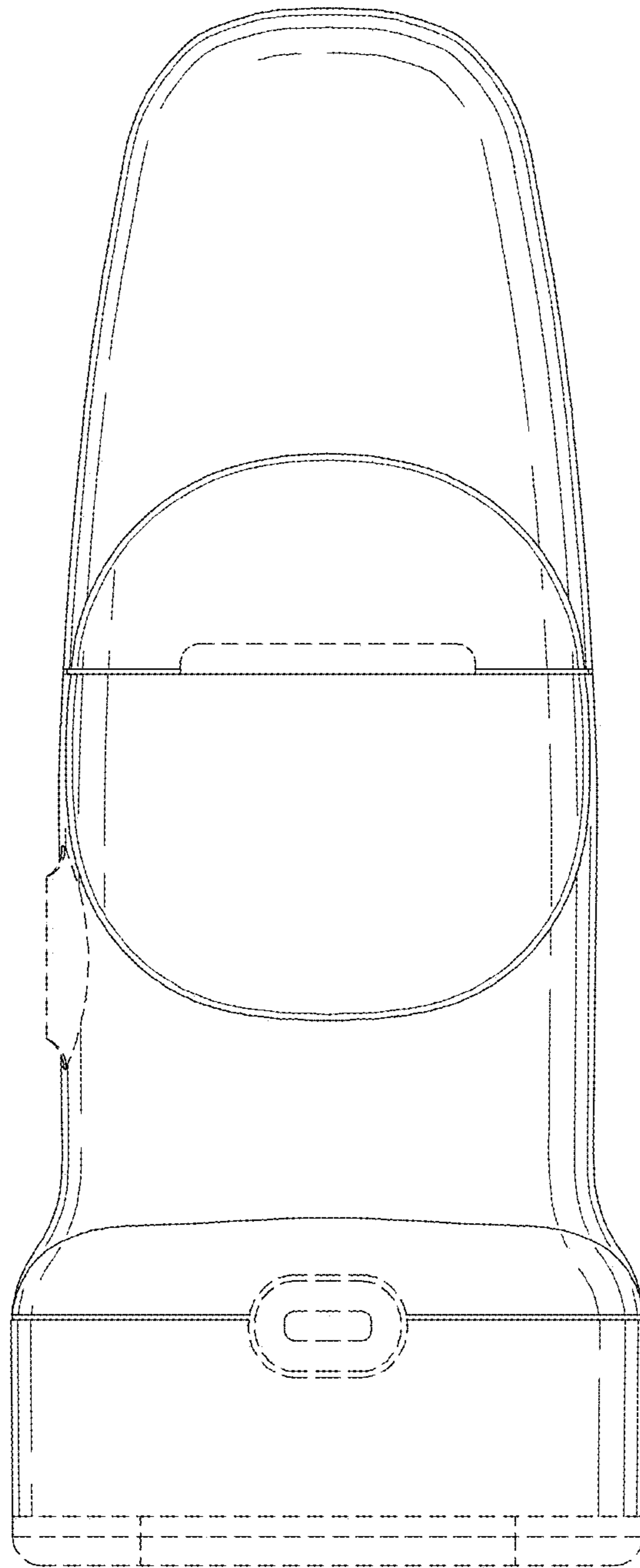


FIG. 5

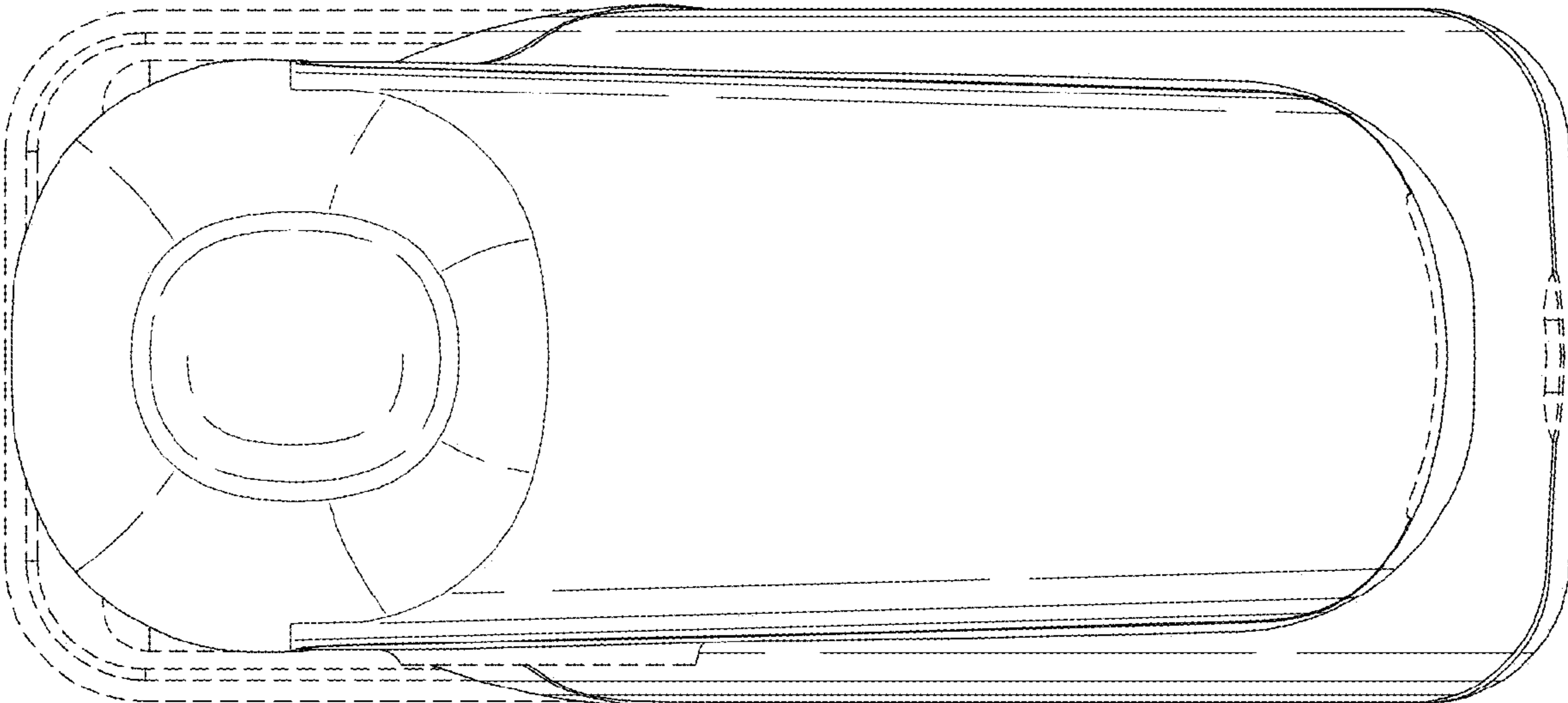


FIG. 6

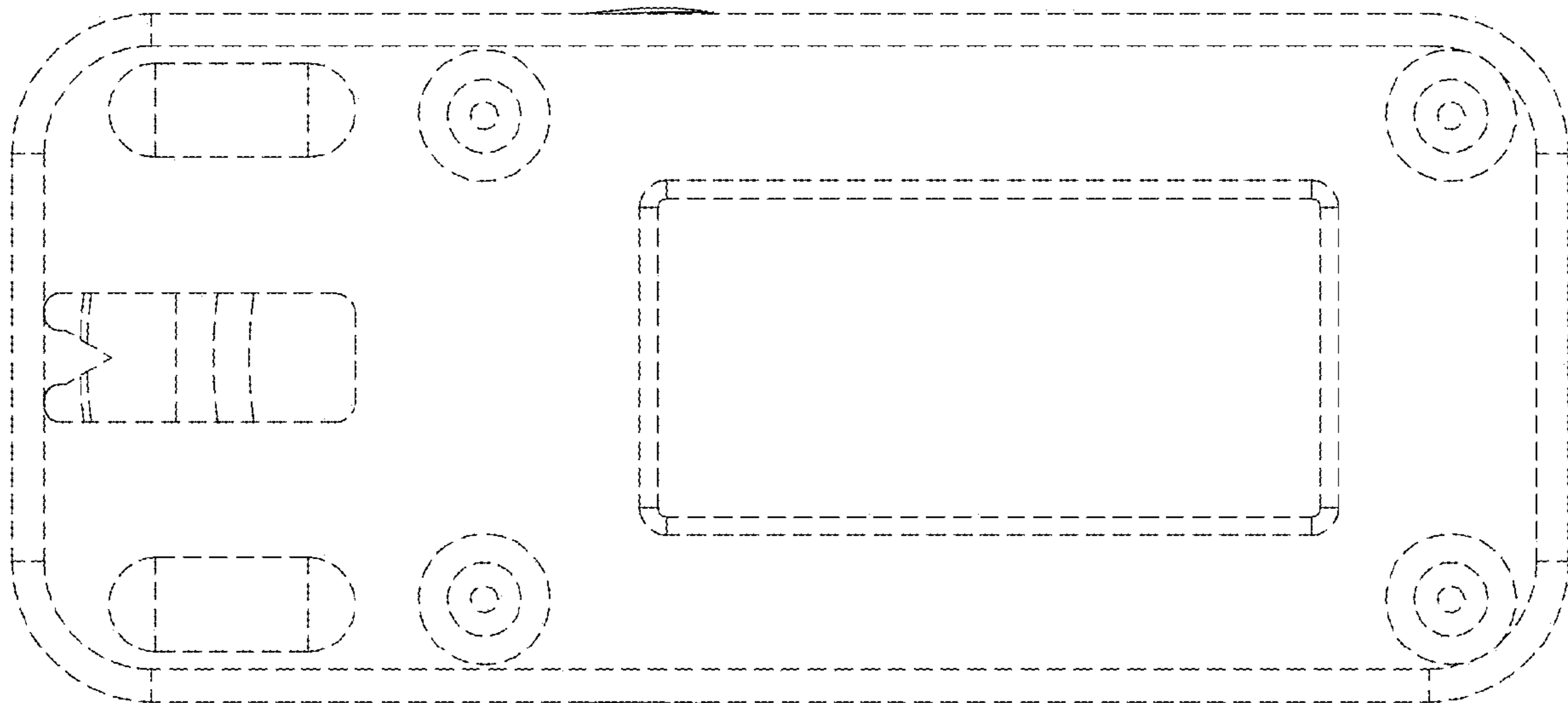


FIG. 7