



US00D898534S

(12) **United States Design Patent**  
**Liu**

(10) **Patent No.:** **US D898,534 S**  
(45) **Date of Patent:** **\*\* Oct. 13, 2020**

(54) **POWER TOOL**

(71) Applicant: **BLACK & DECKER INC.**, New Britain, CT (US)

(72) Inventor: **Chao Lien Liu**, Taichung (TW)

(73) Assignee: **BLACK & DECKER, INC.**, New Britain, CT (US)

(\*\*) Term: **15 Years**

(21) Appl. No.: **29/678,683**

(22) Filed: **Jan. 30, 2019**

(51) **LOC (12) Cl.** ..... **08-03**

(52) **U.S. Cl.**  
USPC ..... **D8/62**

(58) **Field of Classification Search**  
USPC .... D8/69, 68, 67, 66, 64, 61, 70; 83/698.41,  
83/747, 166.3, 374, 373, 375, 376, 391,  
83/377, 390, 388, 389; 125/13.01;  
144/218; D21/532  
CPC ..... B24B 23/028; B24B 47/12; B24B 7/186;  
B25F 5/001; B25F 5/02  
See application file for complete search history.

(56) **References Cited**

**U.S. PATENT DOCUMENTS**

D326,398 S \* 5/1992 Fushiya ..... D8/62  
D347,561 S \* 6/1994 Huber ..... D8/62  
D350,886 S \* 9/1994 Huber ..... D8/62

D356,017 S \* 3/1995 Izumisawa ..... D8/62  
D378,728 S \* 4/1997 Seith ..... D8/62  
6,004,197 A \* 12/1999 Huber ..... B24B 23/03  
451/357  
6,758,731 B2 \* 7/2004 Dutterer ..... B24B 23/03  
451/343  
D527,594 S \* 9/2006 Wikle ..... D8/62  
7,222,679 B1 \* 5/2007 Dohogne ..... B24B 23/005  
15/97.1  
D667,285 S \* 9/2012 Welsch ..... D8/62  
D679,159 S \* 4/2013 Waldron ..... D8/62

\* cited by examiner

*Primary Examiner* — Austin Murphy

(74) *Attorney, Agent, or Firm* — Adan Ayala

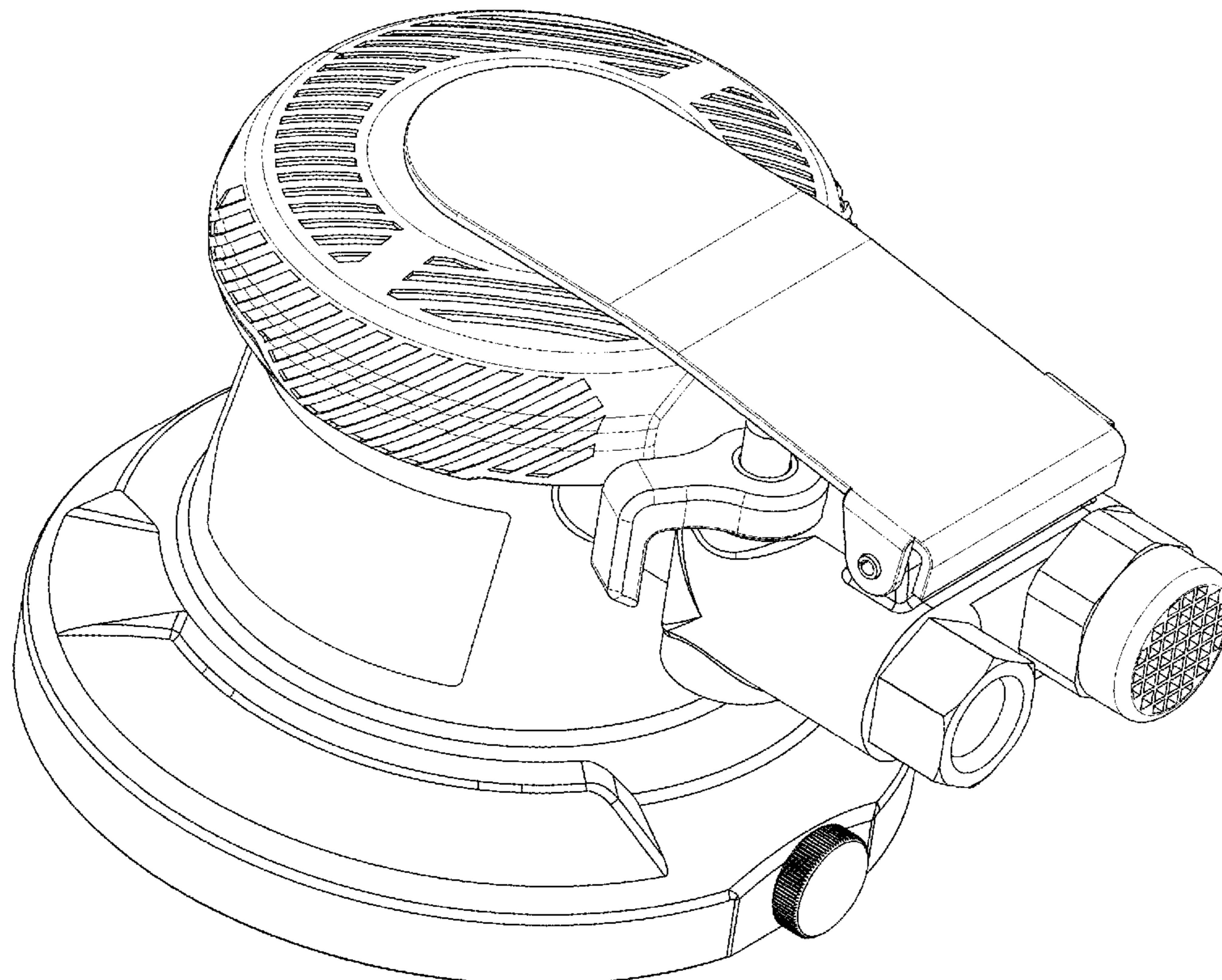
(57) **CLAIM**

The ornamental design for a power tool, as shown and described.

**DESCRIPTION**

FIG. 1 is a front perspective view of a power tool according to the invention.  
FIG. 2 is a front view of the power tool of FIG. 1.  
FIG. 3 is a rear view of the power tool of FIG. 1.  
FIG. 4 is a right side view of the power tool of FIG. 1.  
FIG. 5 is a left side view of the power tool of FIG. 1.  
FIG. 6 is a top plan view of the power tool of FIG. 1.  
FIG. 7 is a bottom plan view of the power tool of FIG. 1; and,  
FIG. 8 is a rear perspective view of the power tool of FIG. 1.

**1 Claim, 8 Drawing Sheets**



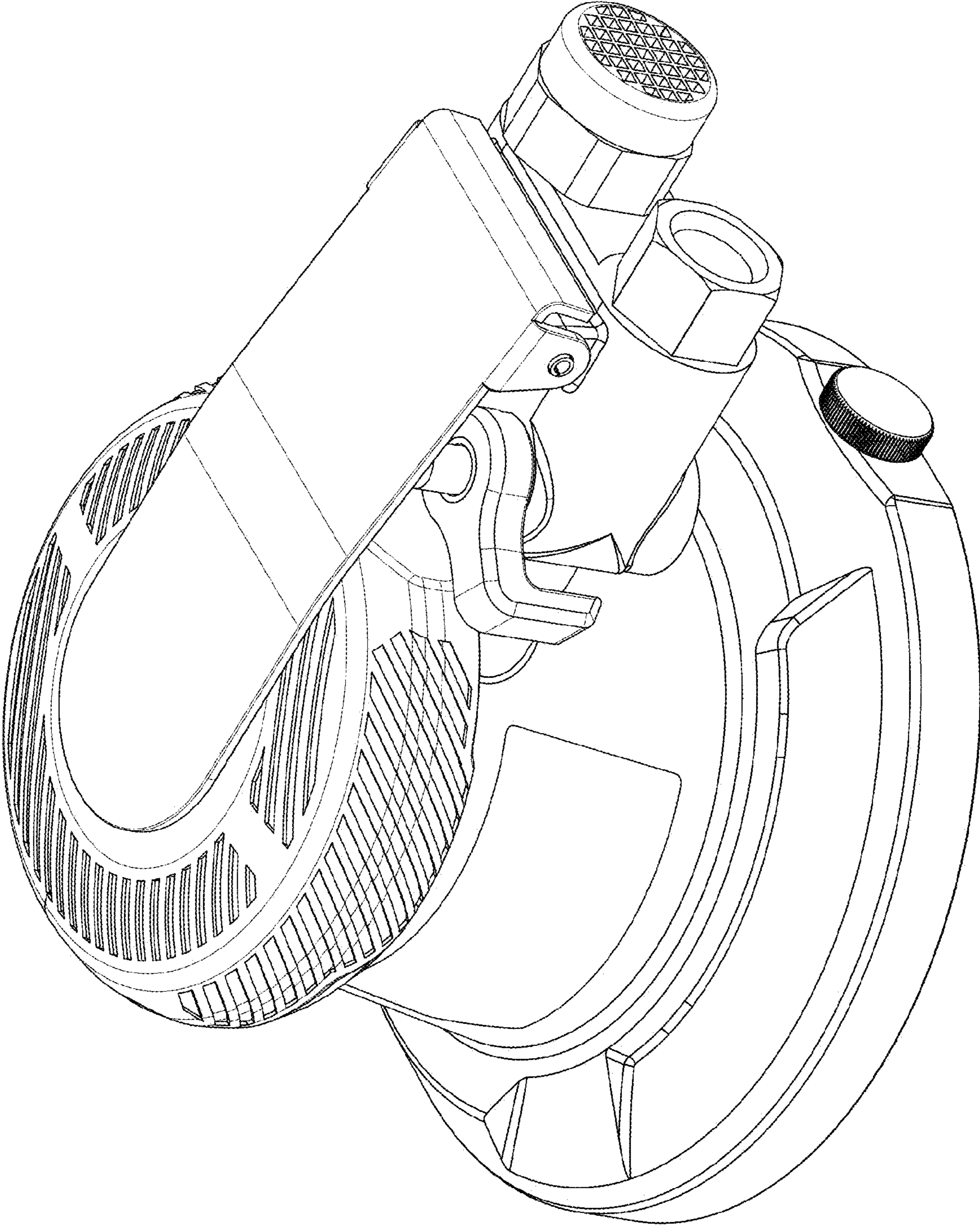


FIG. 1



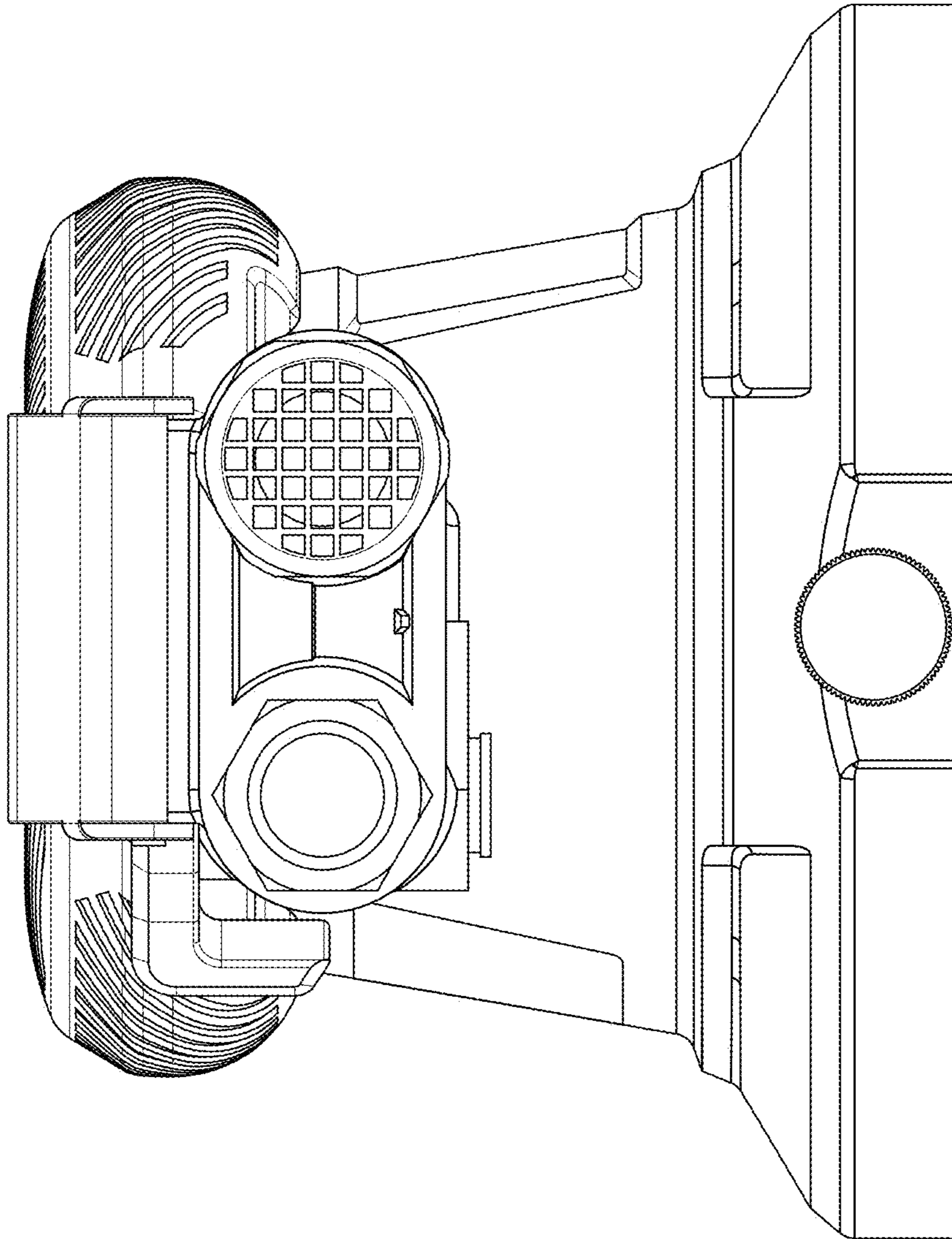


FIG. 2

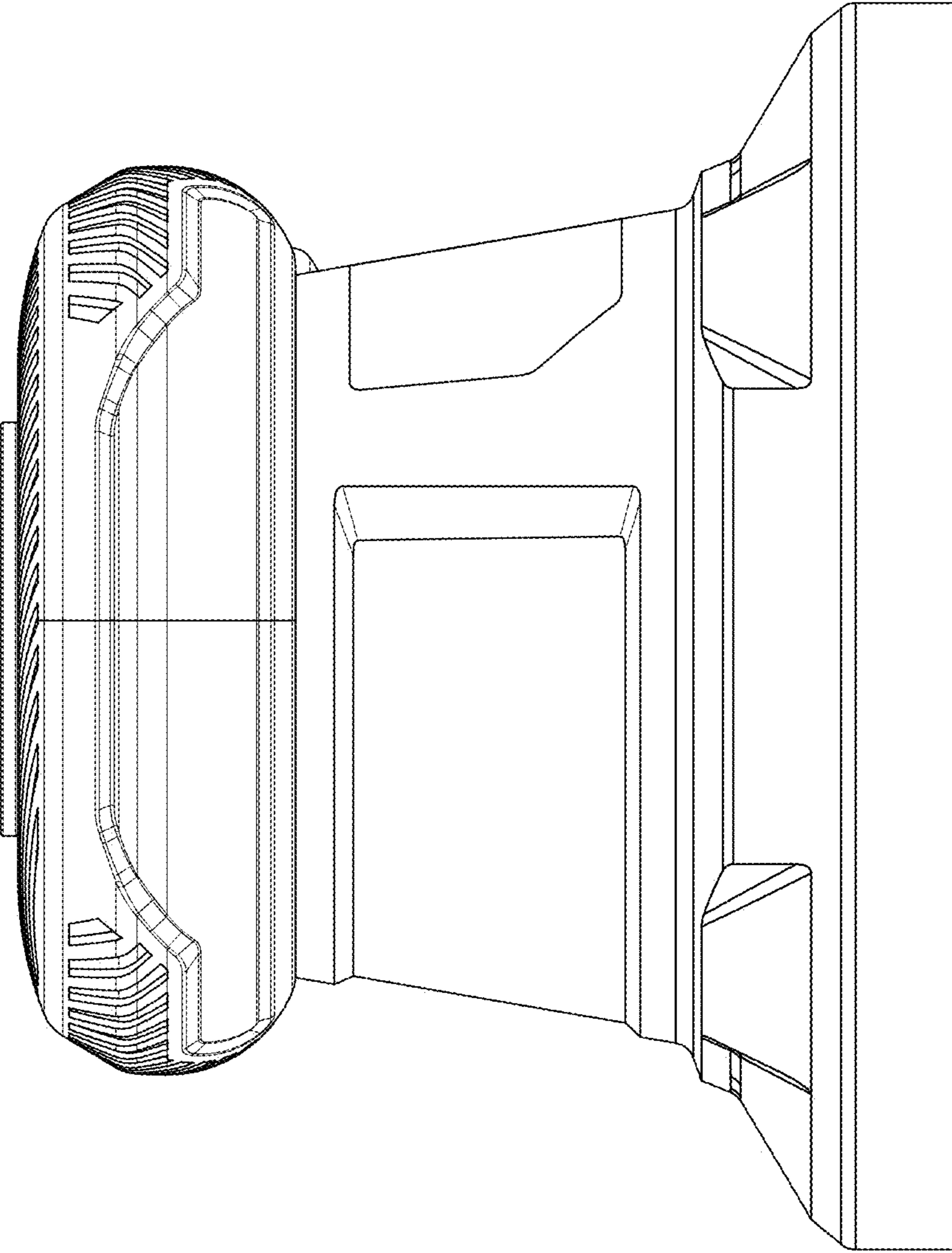


FIG. 3

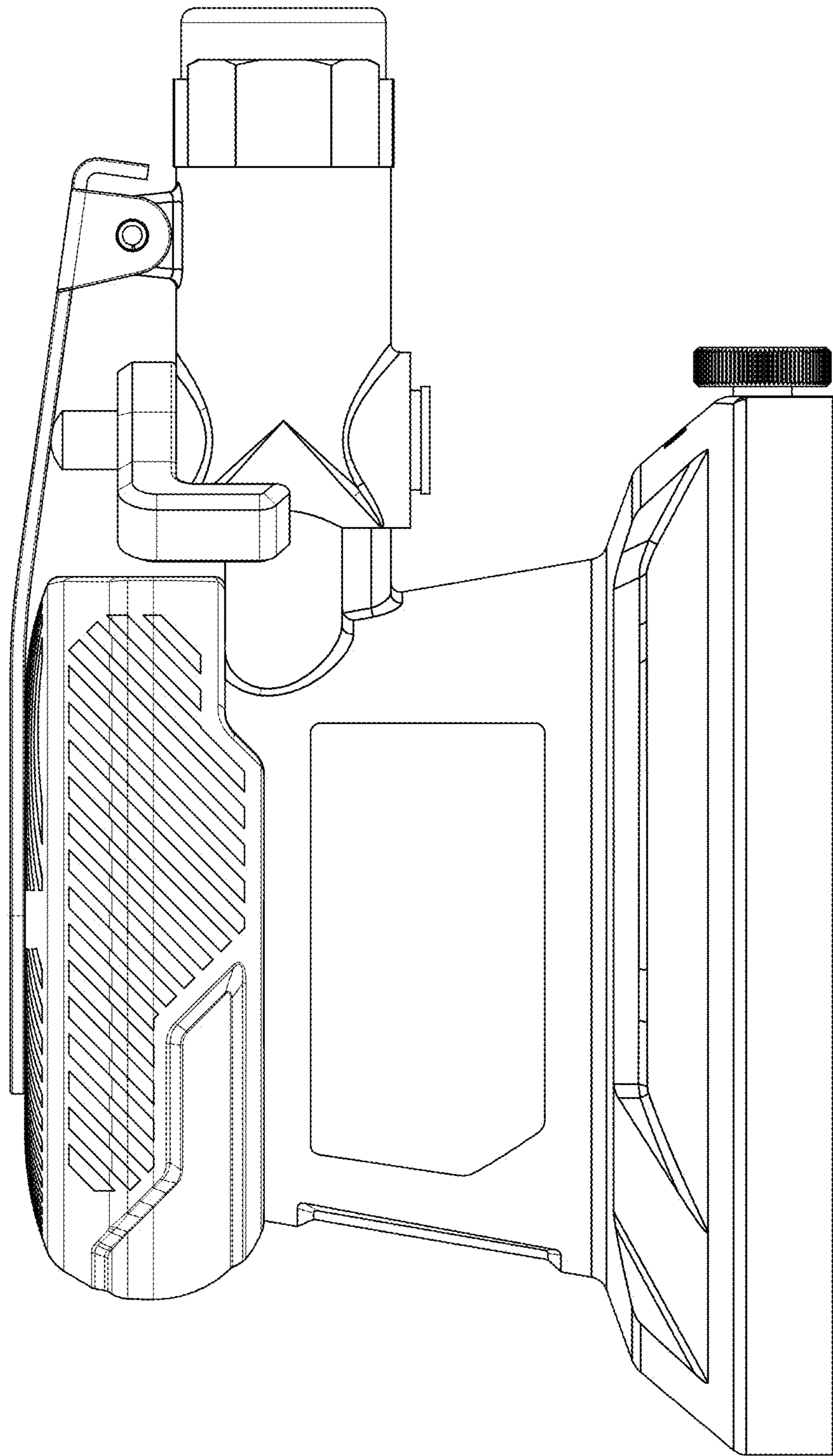


FIG. 4

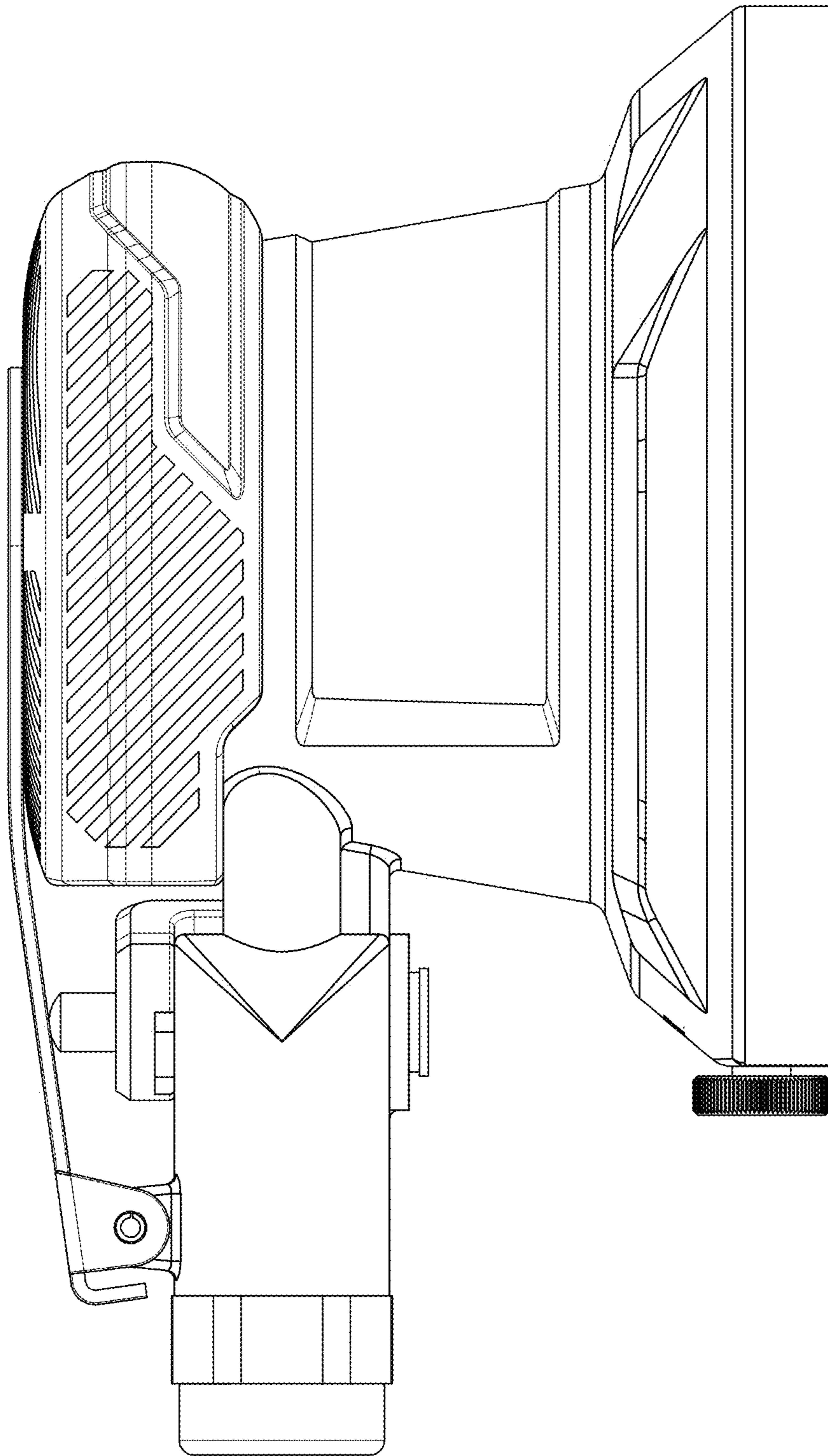


FIG. 5



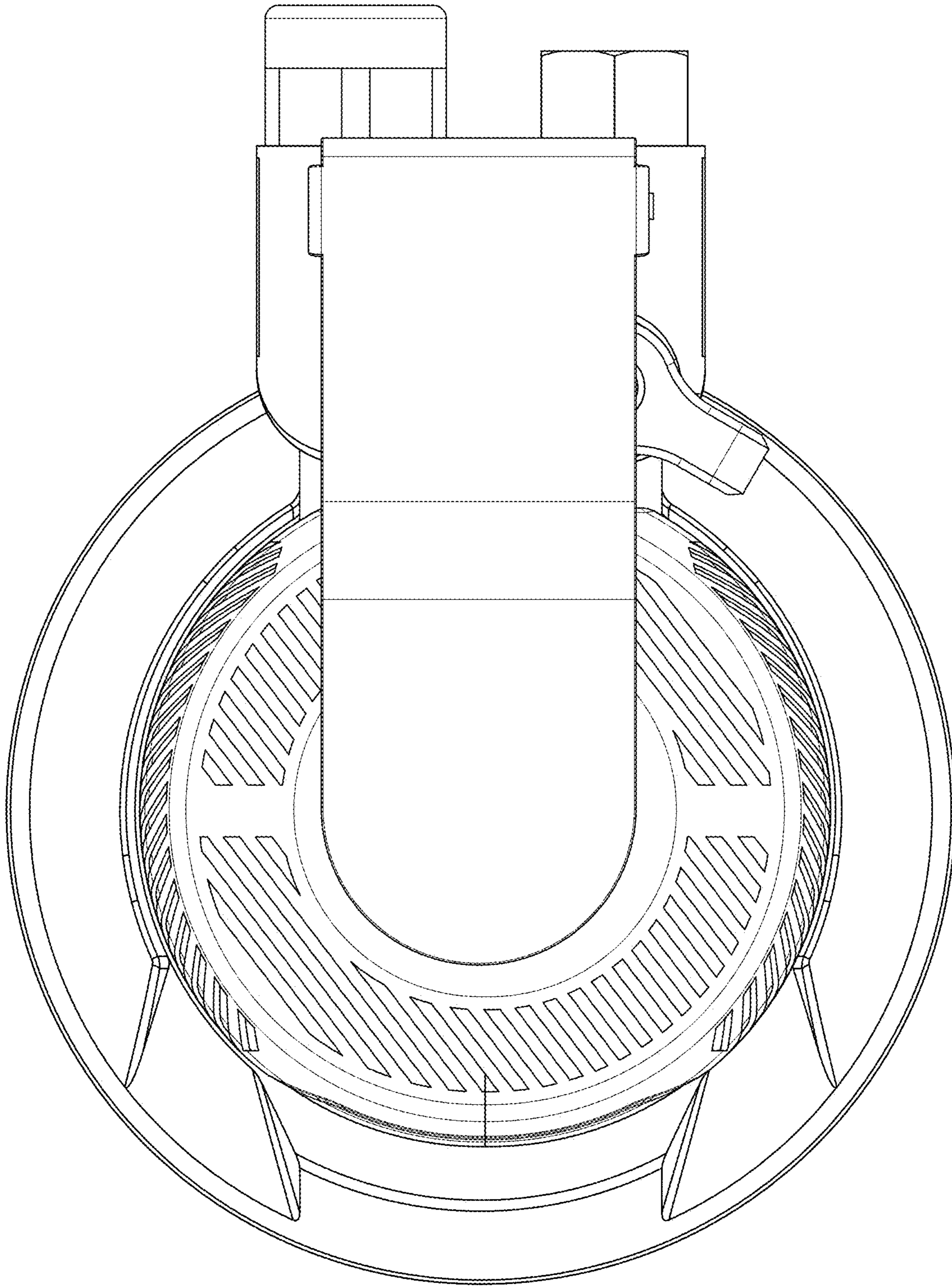


FIG. 6

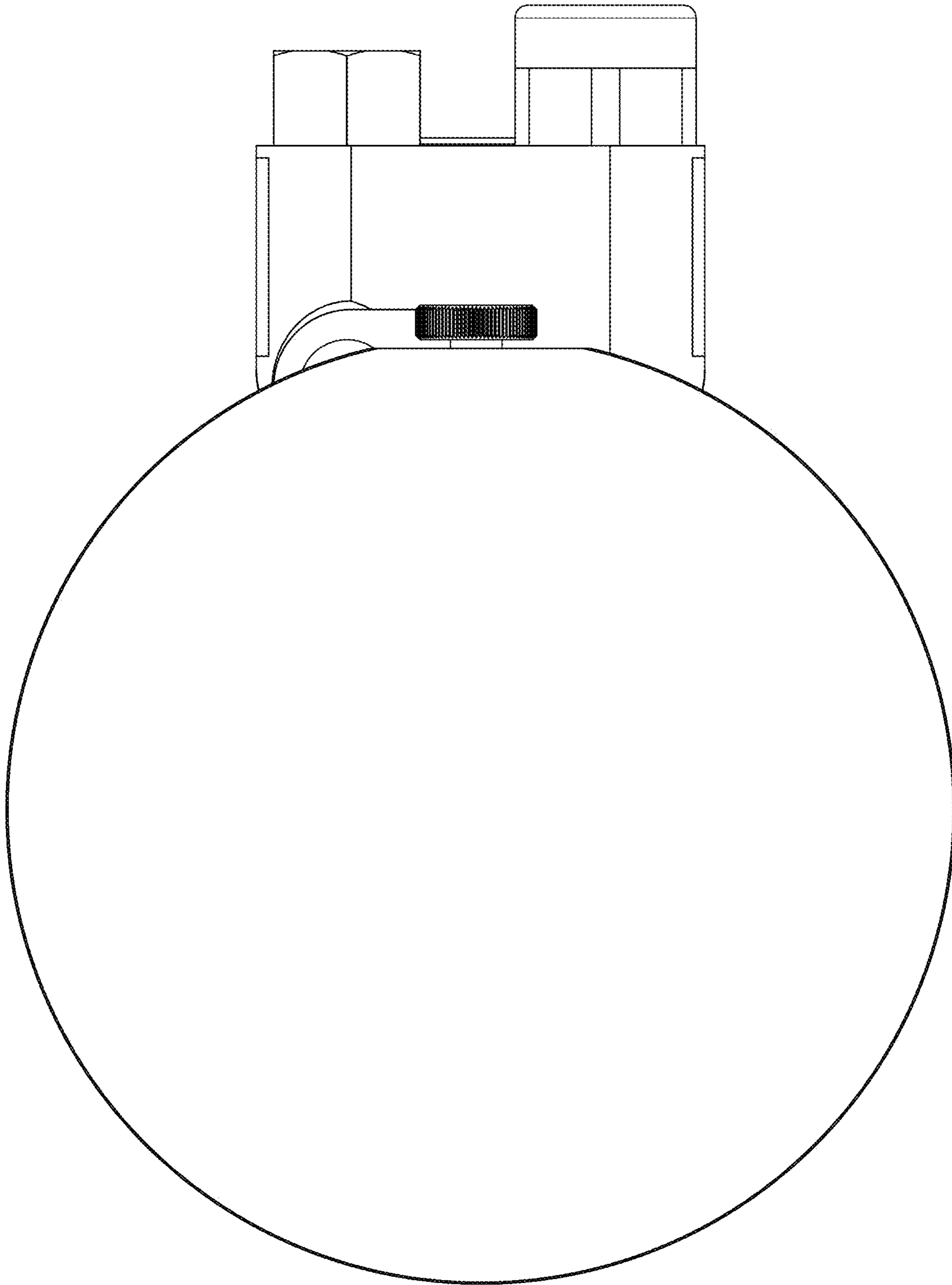


FIG. 7



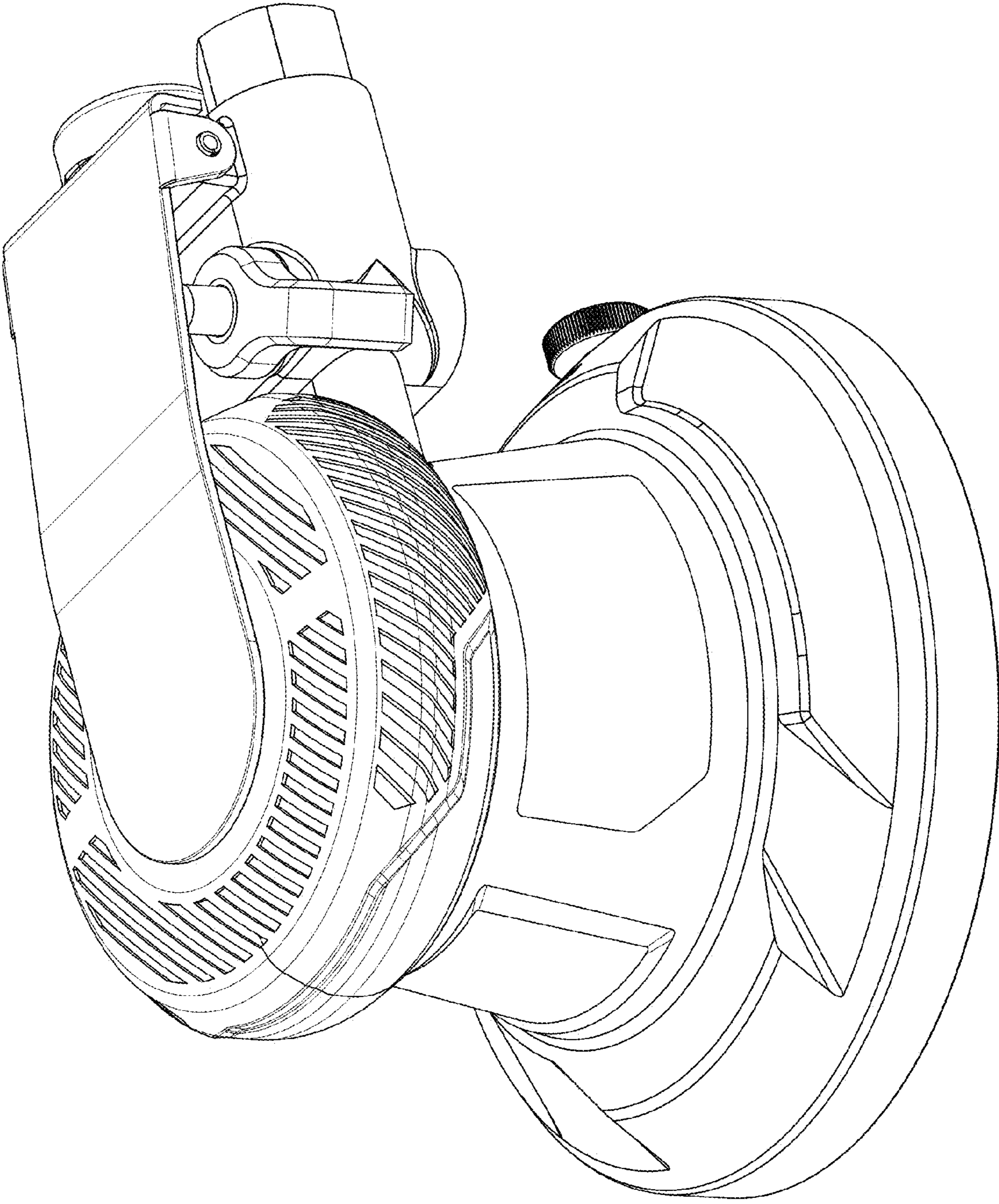


FIG. 8