



US00D898531S

(12) **United States Design Patent**
Kerr

(10) **Patent No.:** **US D898,531 S**
(45) **Date of Patent:** **** Oct. 13, 2020**

(54) **TOILET TIGHTENING TOOL**
(71) Applicant: **James Kerr**, Deltona, FL (US)
(72) Inventor: **James Kerr**, Deltona, FL (US)
(**) Term: **15 Years**
(21) Appl. No.: **29/698,954**

D490,284 S * 5/2004 McElligott D8/21
D548,030 S * 8/2007 Hertel D8/29
D622,118 S * 8/2010 Patti D8/29
D749,382 S * 2/2016 Matsuoka D8/14
10,322,503 B2 * 6/2019 Johnson B25D 16/00
D885,860 S * 6/2020 Sperber D8/28
2004/0211300 A1 * 10/2004 Wang B25B 9/00
81/177.2
2009/0183608 A1 * 7/2009 Johnson B25B 15/008
81/177.4

(22) Filed: **Jul. 22, 2019**
(51) **LOC (12) Cl.** **08-05**
(52) **U.S. Cl.**
USPC **D8/21; D8/29**
(58) **Field of Classification Search**
USPC D8/15-29, 29.1, 29.2, 30-32, 349,
D8/382-386, 396-399, 70, 71, 70.1,
D8/72-74, 471, 83, 104-107, 354, 361,
D8/362, 360, 360.1, 363-372, 355-359;
81/487, 60, 186, 124, 4, 121.1, 63.1, 119,
81/489, 177.1, 177.2, 177.85, 177.8, 62,
81/61
CPC . B25B 23/1427; B25B 23/0007; B25B 23/16;
B25B 17/00; B25B 23/0028; B25B
23/0021; B25B 13/50; B25B 13/08; B25B
13/481; B25B 13/461; B25B 23/0035;
B25B 15/04; B25G 1/043; E06B 3/685;
A61C 1/186; A61C 8/0089; A61B
17/8875; A61B 17/8883
See application file for complete search history.

FOREIGN PATENT DOCUMENTS

KR 301055790 * 10/2019

OTHER PUBLICATIONS

HAUTMEC, Tub Drain Remover Wrench PL0030, Date first available Jun. 6, 2017, [online]retrieved Jul. 13, 2020, available from internet, www.amazon.com (Year: 2017).*

(Continued)

Primary Examiner — Keli L Hill
Assistant Examiner — Sara S Sahneh
(74) *Attorney, Agent, or Firm* — Harpman & Harpman

(57) **CLAIM**

The ornamental design for a toilet tightening tool, as shown and described.

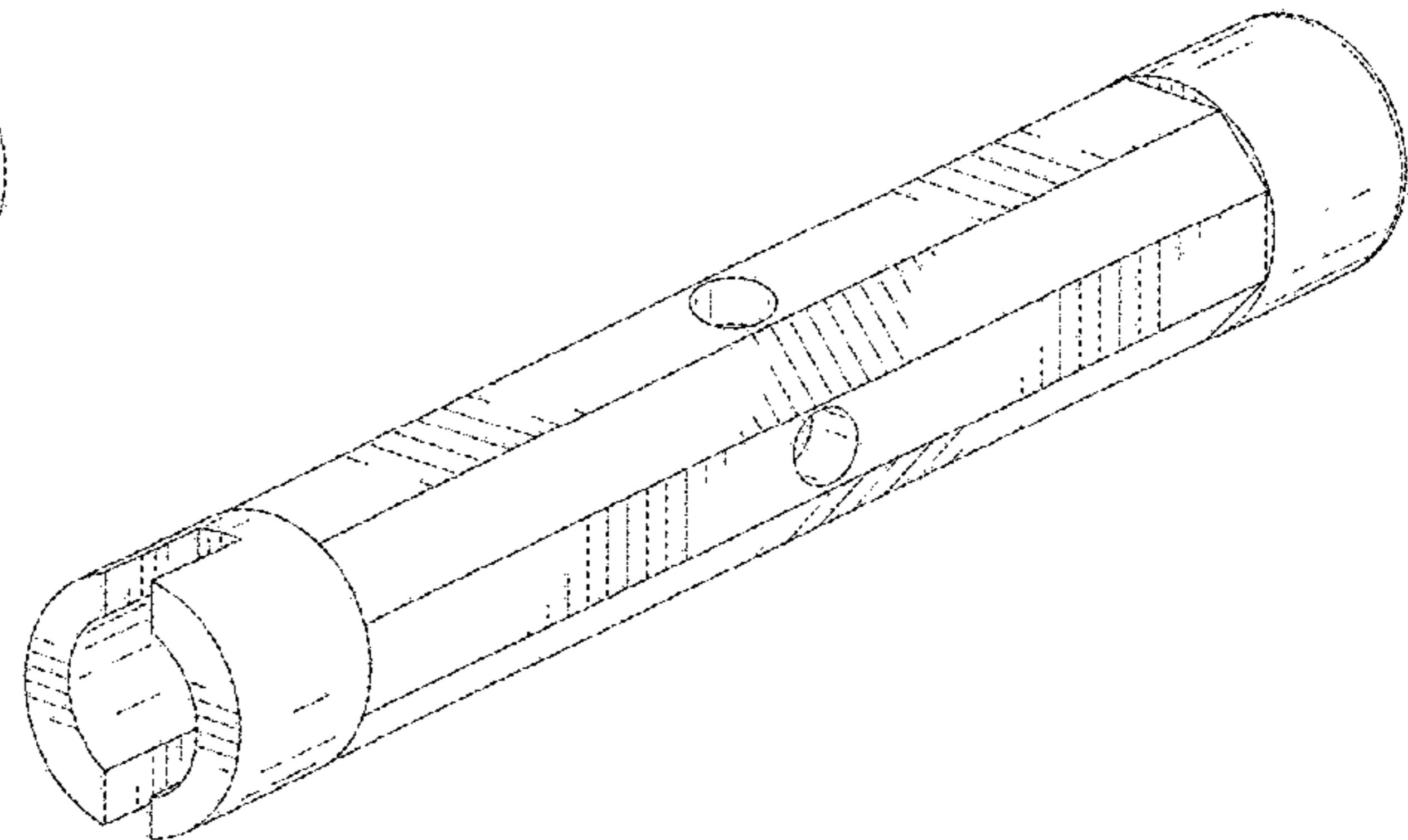
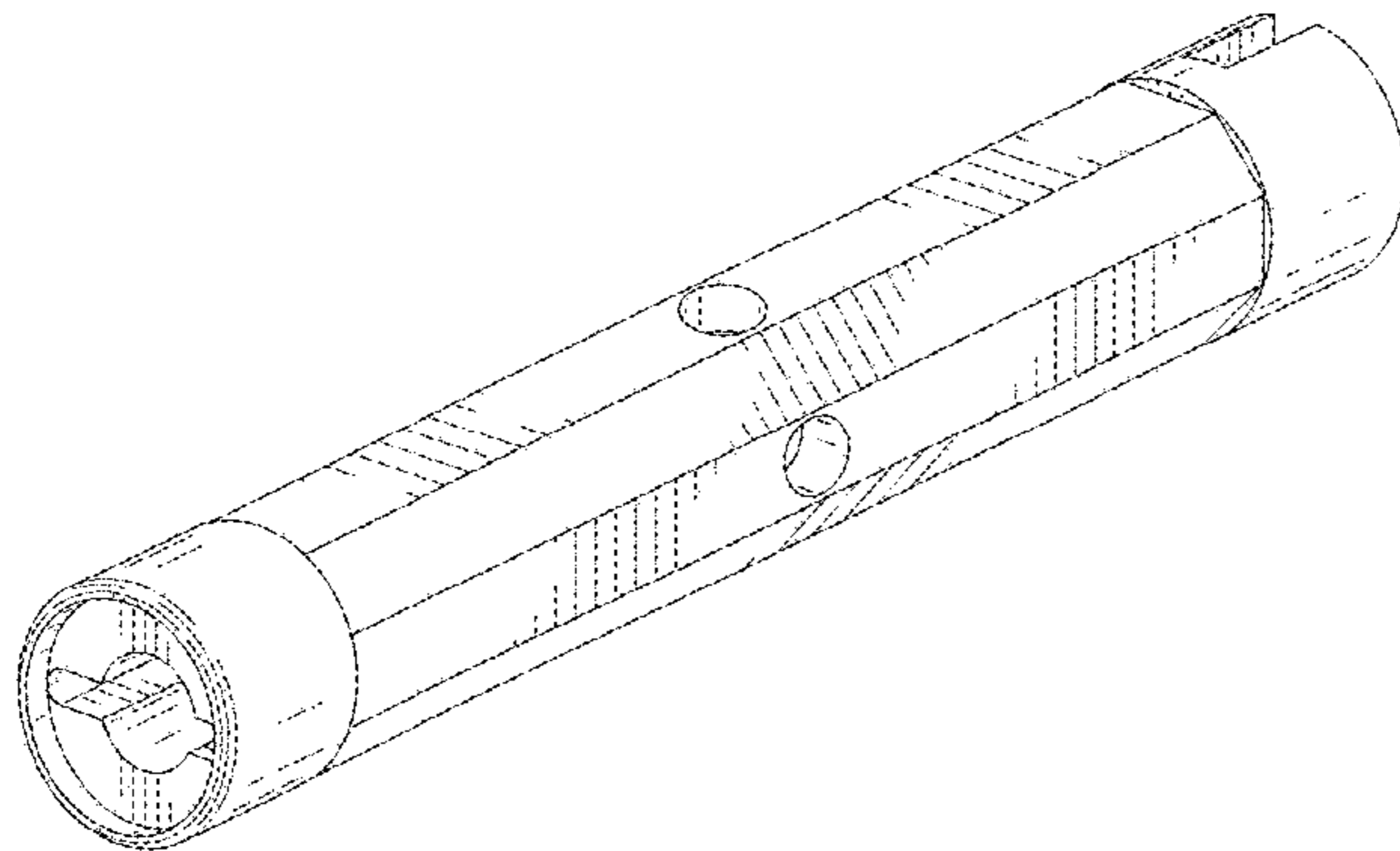
DESCRIPTION

FIG. 1 is a top, left end and front perspective view of the tool showing the new design.
FIG. 2 is a top, right end and rear perspective view of the tool thereof.
FIG. 3 is a top plan view thereof.
FIG. 4 is a bottom plan view thereof.
FIG. 5 is a left end elevational view thereof; and,
FIG. 6 is a right end elevational view thereof.

1 Claim, 4 Drawing Sheets

(56) **References Cited**
U.S. PATENT DOCUMENTS

D377,699 S * 1/1997 McLaughlin D32/46
5,615,587 A * 4/1997 Foerster, Jr. B25B 13/06
81/124.2
D402,517 S * 12/1998 Gracia D8/29
D431,984 S * 10/2000 Cotillon D8/29
D432,878 S * 10/2000 Gray D8/21



(56)

References Cited

OTHER PUBLICATIONS

EZ-FLO, 45089 Sturdy Dumbbell Wrench, Bath Tub Drain Remover, Date first available May 14, 2012, [online]retrieved Jul. 13, 2020, available from internet, www.amazon.com (Year: 2012).*

General Tools, 185 Tub Drain Remover, Date first available Jan. 13, 2007, [online]retrieved Jul. 13, 2020, available from internet, www.amazon.com (Year: 2007).*

WholesalePlumbing, Smart Dumbbell Tub Drain Removal Tool Wrench, Heavy Duty Aluminum, Date first available Jul. 24, 2015, [online]retrieved Jul. 13, 2020, available from internet, www.amazon.com (Year: 2015).*

* cited by examiner

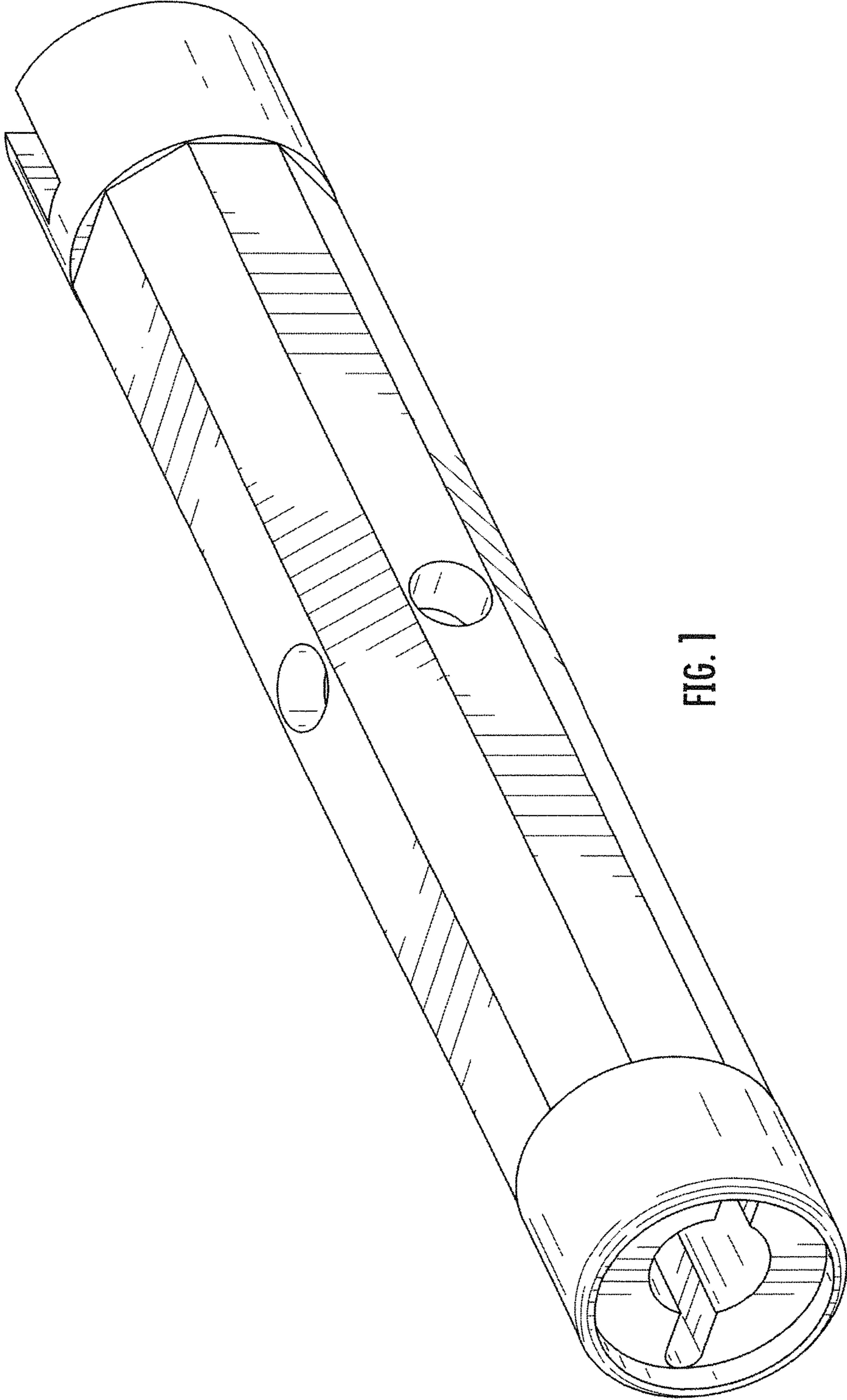


FIG. 1

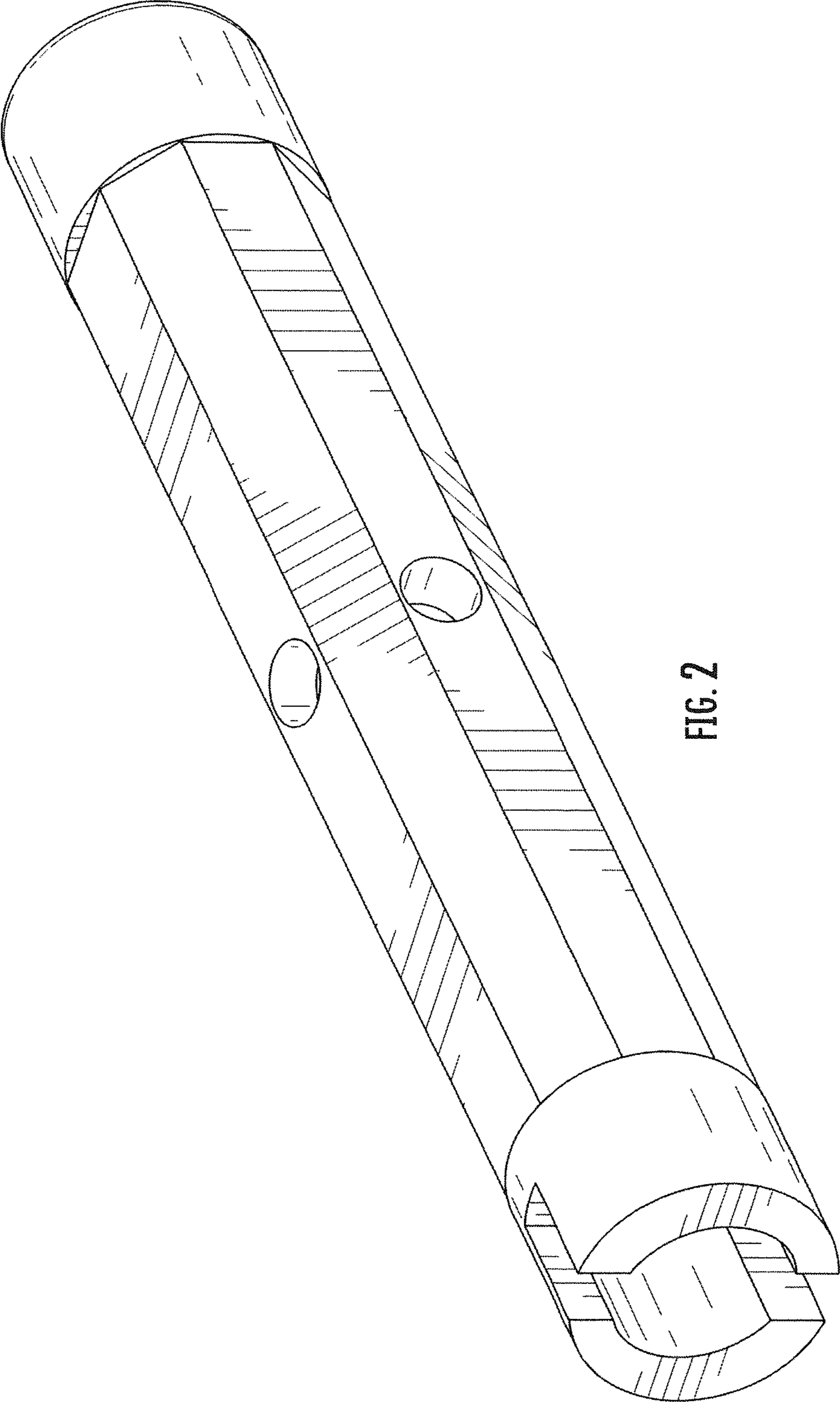


FIG. 2

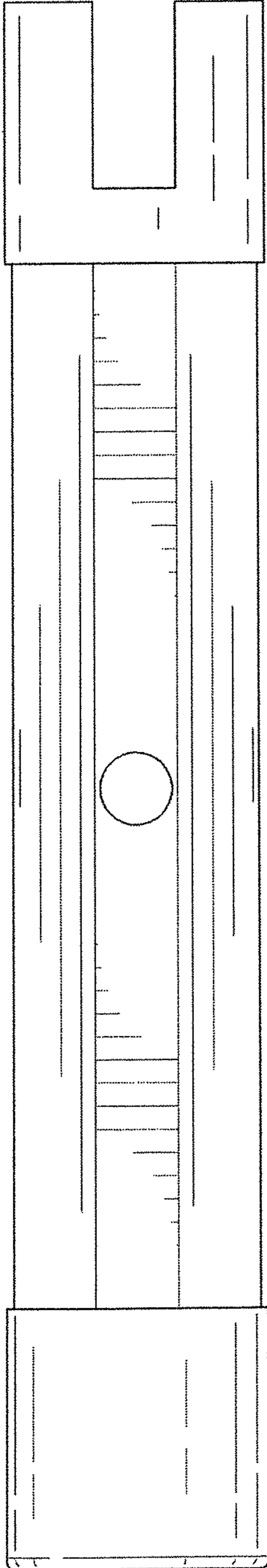


FIG. 3

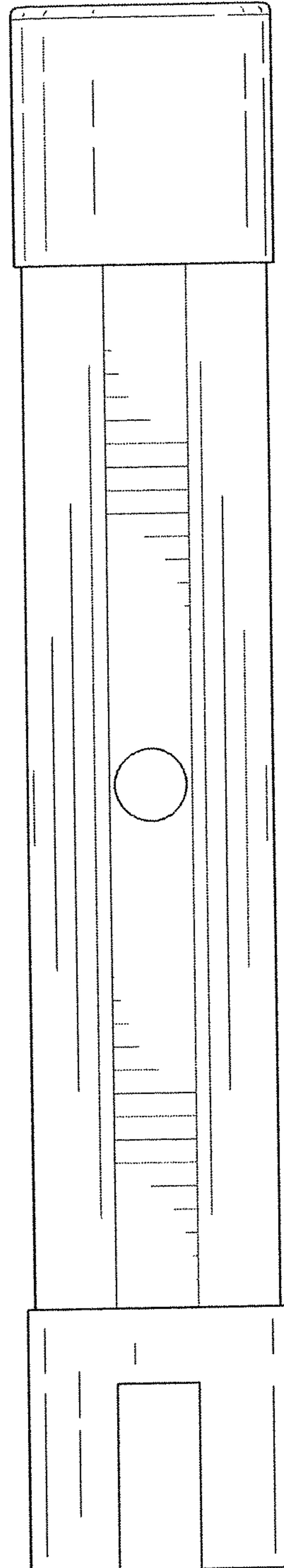


FIG. 4

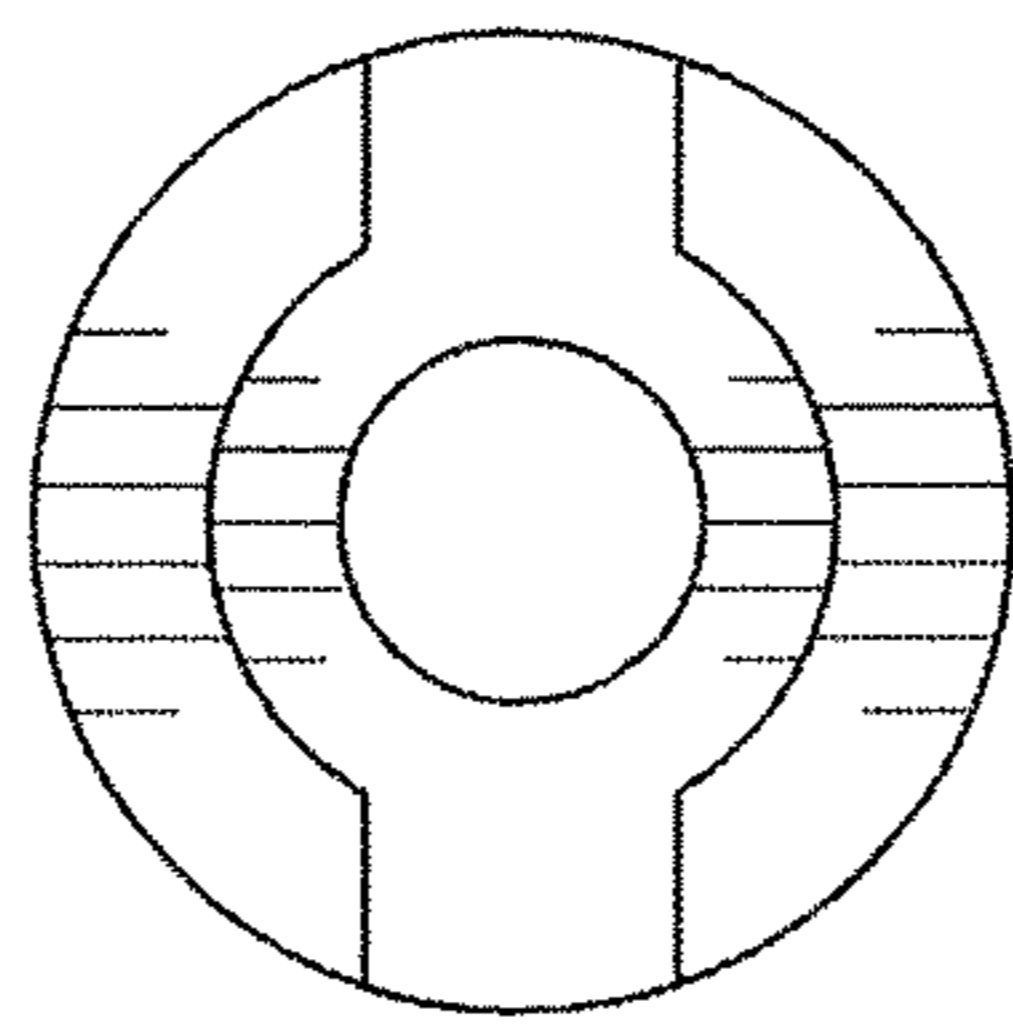


FIG. 5

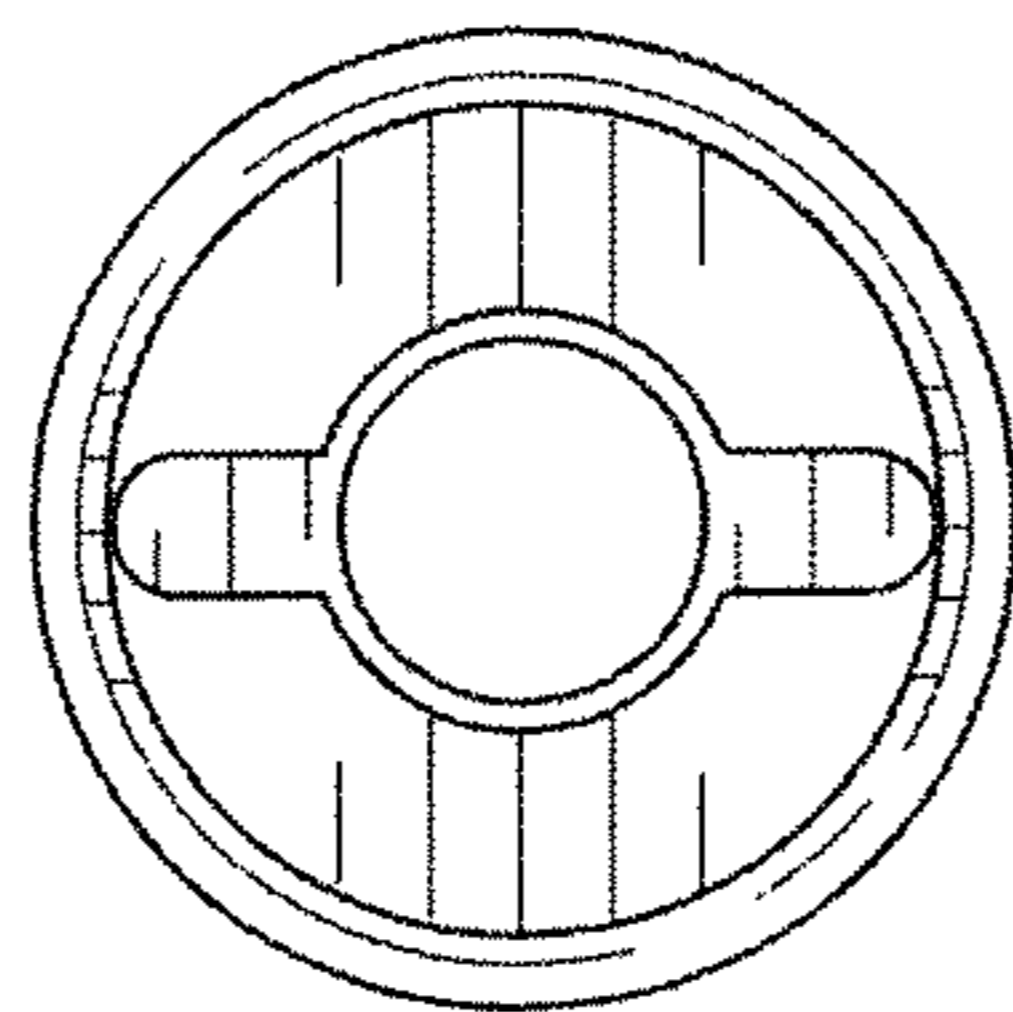


FIG. 6