



US00D898530S

(12) **United States Design Patent** (10) **Patent No.:** **US D898,530 S**
Guest (45) **Date of Patent:** **** Oct. 13, 2020**

(54) **WOOD BREAKING TOOL**
(71) Applicant: **Geoff Guest**, Seaford (AU)
(72) Inventor: **Geoff Guest**, Seaford (AU)
(**) Term: **15 Years**

(21) Appl. No.: **29/638,324**
(22) Filed: **Feb. 26, 2018**

(30) **Foreign Application Priority Data**

Nov. 16, 2017 (AU) 201716986

(51) **LOC (12) Cl.** **08-05**

(52) **U.S. Cl.**
USPC **D8/16**

(58) **Field of Classification Search**
USPC D8/16, 19, 17, 18, 47
CPC B27L 11/007; B27L 11/005; B27L 11/00;
B27L 1/00; A01G 23/093; A01G 23/099;
B27M 1/02; B27M 1/00

See application file for complete search history.

(56) **References Cited**

U.S. PATENT DOCUMENTS

D401,486 S * 11/1998 Becker D8/19
D431,431 S * 10/2000 Allen D8/14
D445,655 S * 7/2001 Maddox D8/105
D577,555 S * 9/2008 MacDonald D8/19
D623,030 S * 9/2010 Spater D8/16

D725,979 S * 4/2015 Breeden, III D8/16
D748,956 S * 2/2016 Goeckel D8/19
D772,774 S * 11/2016 Yuan D12/223
D878,176 S * 3/2020 Spater D8/19
D882,369 S * 4/2020 Adelman D8/105
D886,565 S * 6/2020 Hinkens D8/105
D886,669 S * 6/2020 Spater D11/218

* cited by examiner

Primary Examiner — Eliza Z Bennett-Hattan
(74) *Attorney, Agent, or Firm* — Reichel Stohry Dean
LLP; Natalie J. Dean

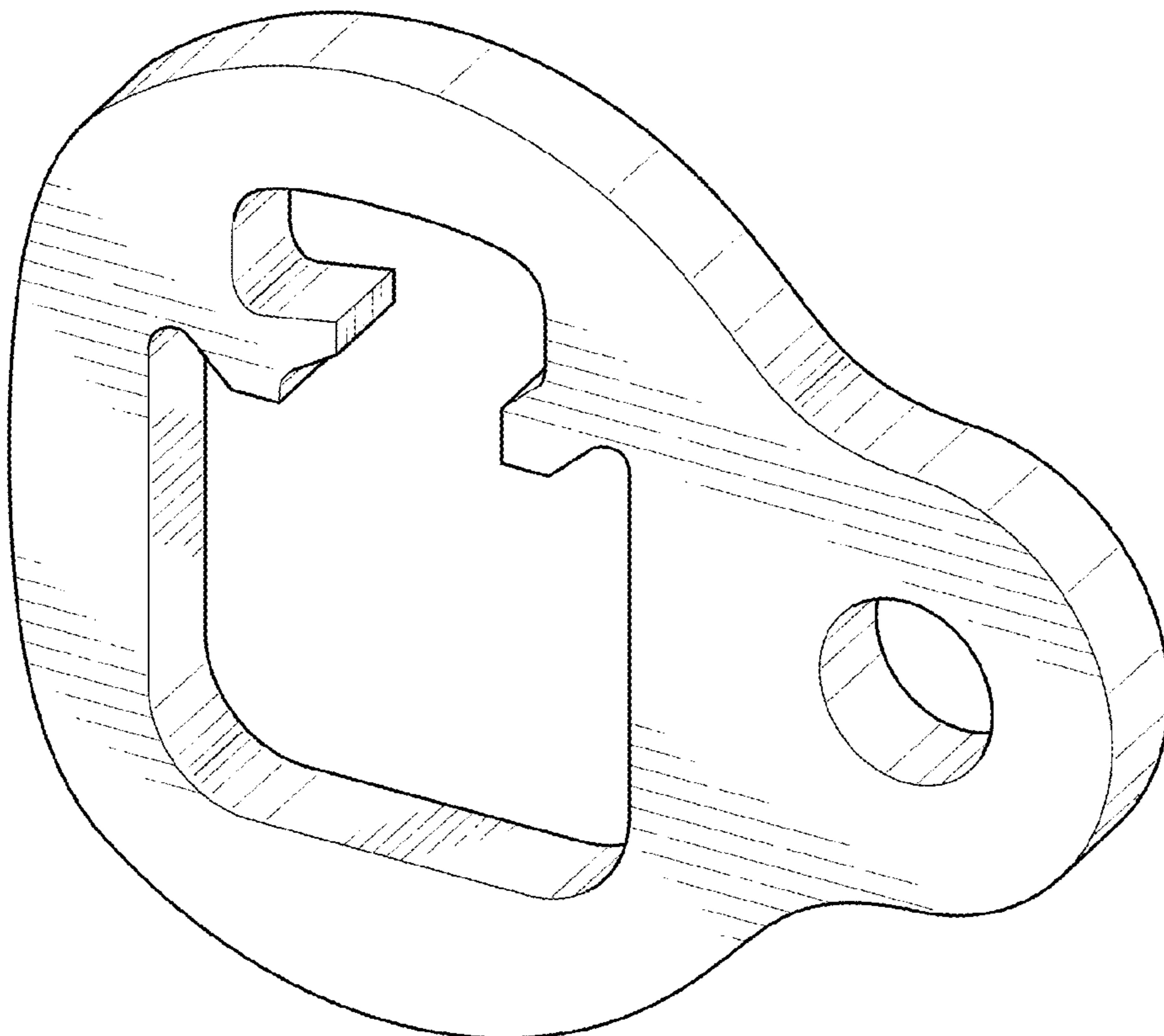
(57) **CLAIM**

The ornamental design for a wood breaking tool, as shown and described.

DESCRIPTION

FIG. 1 is a perspective view of a wood breaking tool of the present disclosure;
FIG. 2 is a top view of the wood breaking tool of FIG. 1;
FIG. 3 is a bottom view of the wood breaking tool of FIG. 1;
FIG. 4 is a first side view of the wood breaking tool of FIG. 1;
FIG. 5 is a second side view of the wood breaking tool of FIG. 1;
FIG. 6 is a third side view of a the wood breaking tool of FIG. 1; and,
FIG. 7 is a fourth side view of the wood breaking tool of FIG. 1.

1 Claim, 3 Drawing Sheets



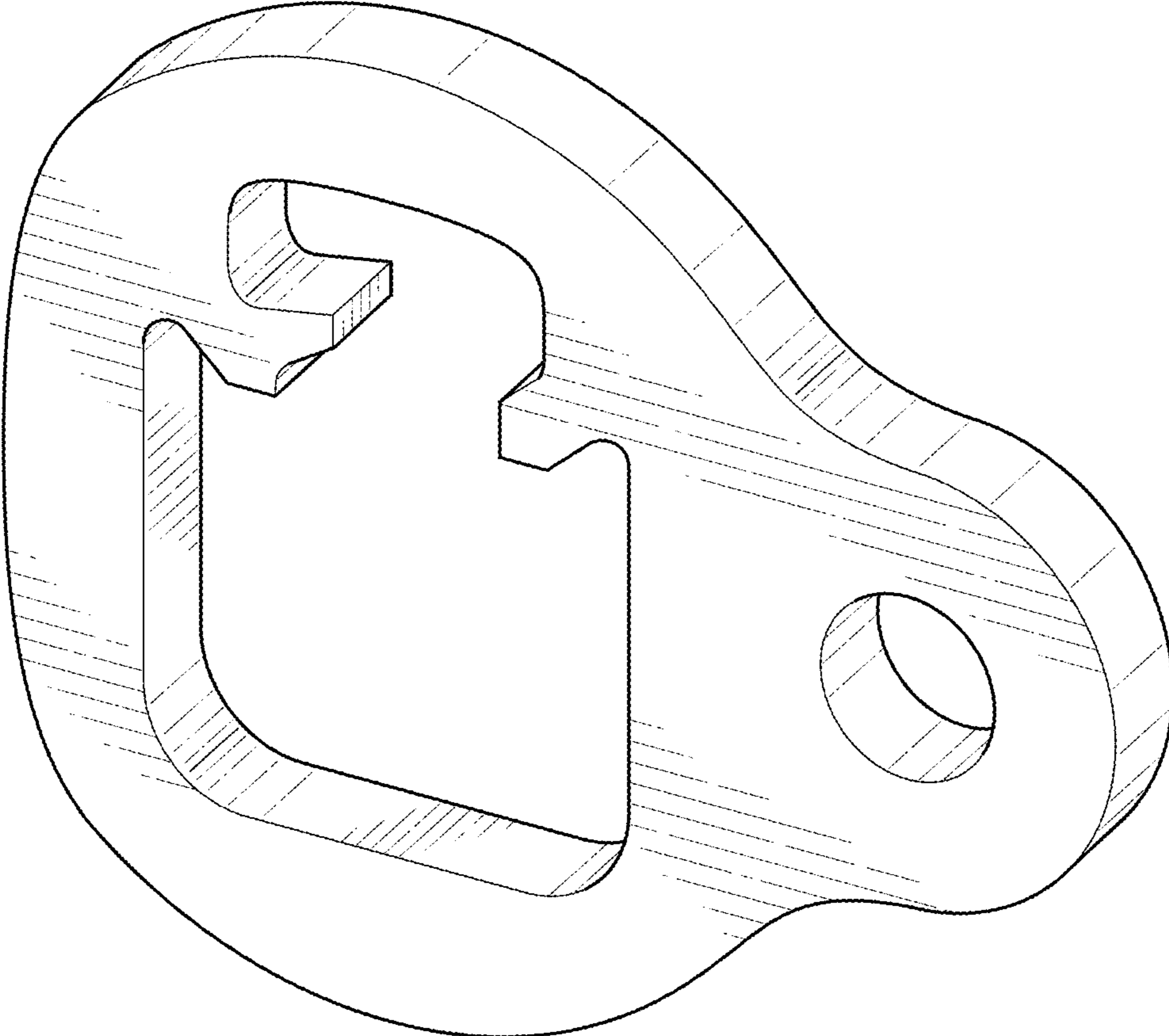


FIG. 1

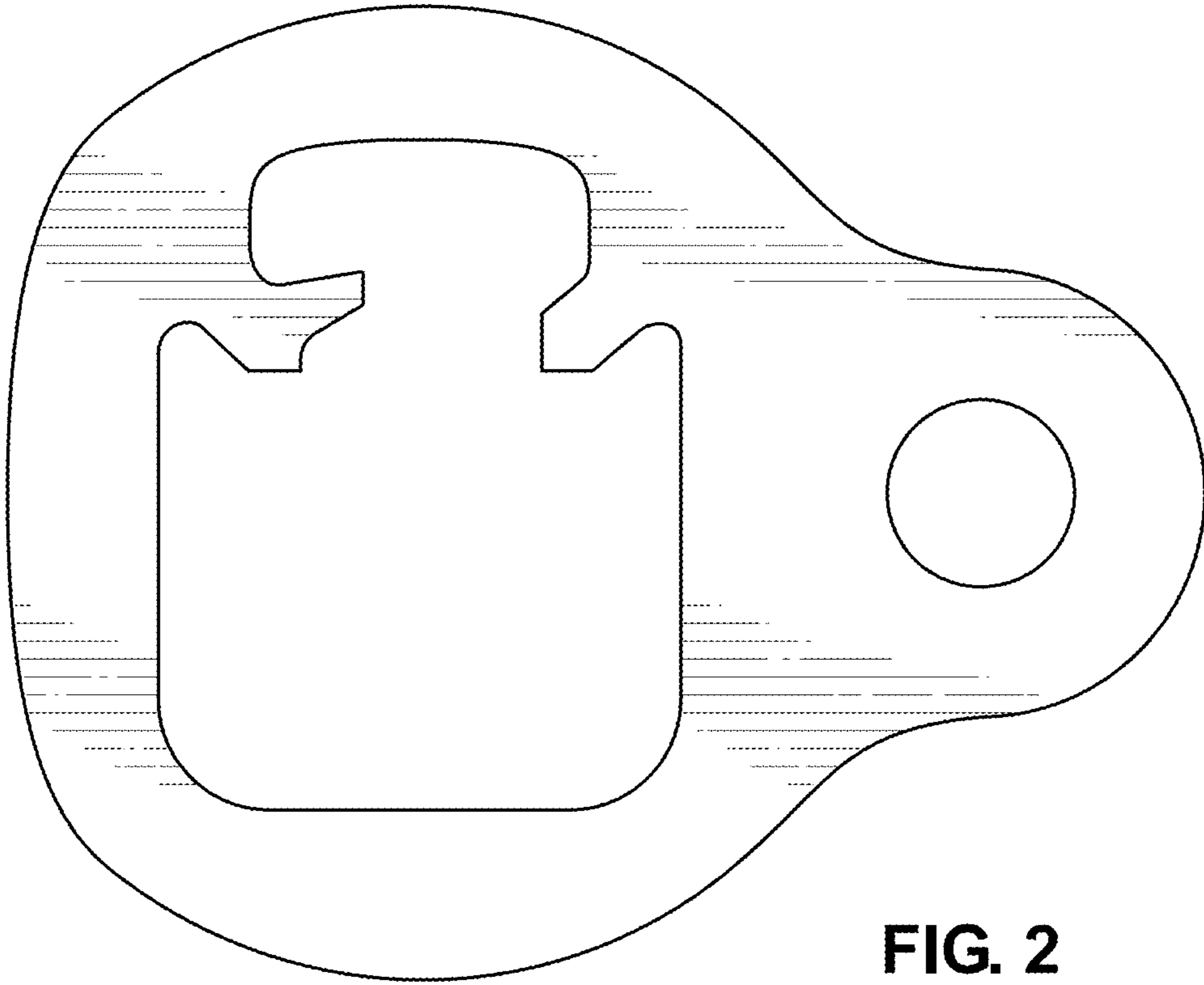


FIG. 2

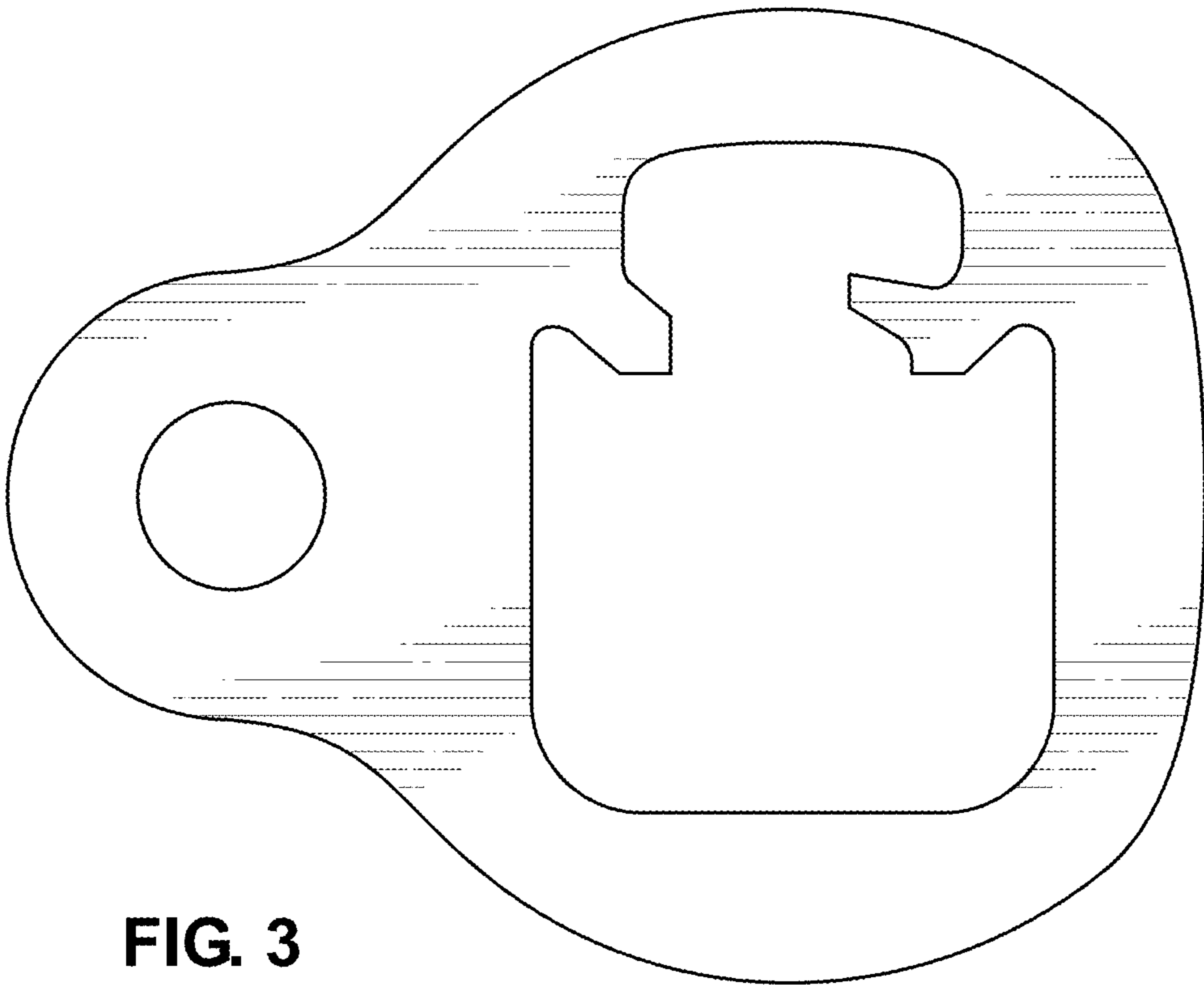


FIG. 3

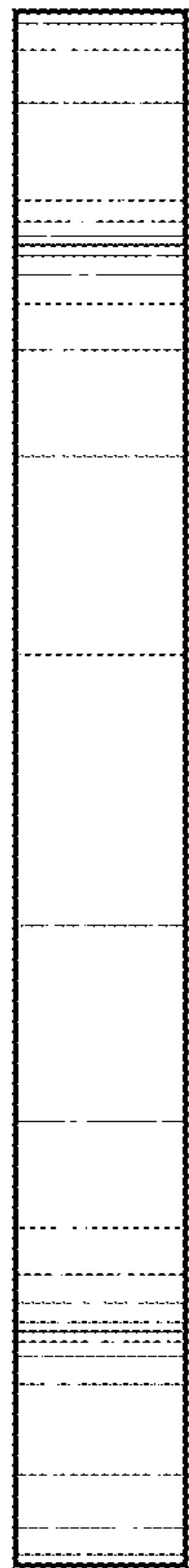


FIG. 4



FIG. 5

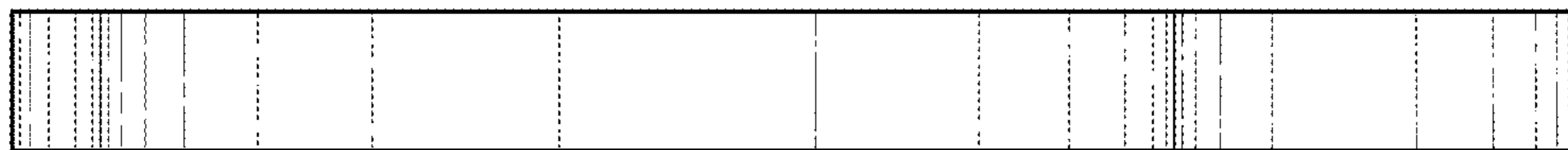


FIG. 6

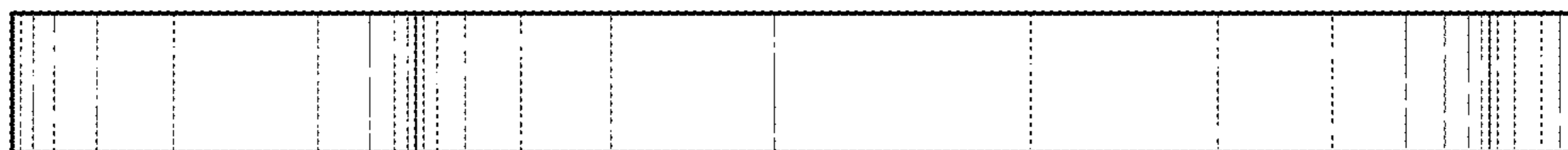


FIG. 7