



US00D898525S

(12) **United States Design Patent** (10) **Patent No.:** **US D898,525 S**
Boroski et al. (45) **Date of Patent:** **** Oct. 13, 2020**

(54) **PROTECTIVE SLEEVE FOR A CONTAINER**

(71) Applicant: **Thermos L.L.C.**, Schaumburg, IL (US)

(72) Inventors: **Dwayne Boroski**, Lake in the Hills, IL (US); **Melissa Hetrick**, Roselle, IL (US)

(73) Assignee: **Thermos L.L.C.**, Schaumburg, IL (US)

(**) Term: **15 Years**

(21) Appl. No.: **29/669,595**

(22) Filed: **Nov. 9, 2018**

(51) **LOC (12) Cl.** **07-01**

(52) **U.S. Cl.**
USPC **D7/624.2; D7/608**

(58) **Field of Classification Search**
USPC D7/605-608, 619.1-625, 509-511;
D9/500-505, 443, 444

(Continued)

(56) **References Cited**

U.S. PATENT DOCUMENTS

D78,014 S 3/1929 Dunbar
D206,889 S 2/1967 Benes

(Continued)

FOREIGN PATENT DOCUMENTS

CN 3026645 8/1994
CN 304069816 S 3/2017

(Continued)

OTHER PUBLICATIONS

Baby, Lifefactory.com, Accessed Online on Nov. 1, 2018: <https://www.lifefactory.com/collections/baby>.

(Continued)

Primary Examiner — Terry A Wallace

(74) *Attorney, Agent, or Firm* — MLO, a professional corp.

(57) **CLAIM**

The ornamental design for a protective sleeve for a container, as shown and described.

DESCRIPTION

FIG. 1 is a front perspective view of one embodiment of a protective sleeve for a container, showing our new design; FIG. 2 is a rear perspective view of the protective sleeve for a container;

FIG. 3 is a front view of the protective sleeve for a container; FIG. 4 is a rear view of the protective sleeve for a container; FIG. 5 is a right view of the protective sleeve for a container; FIG. 6 is a left view of the protective sleeve for a container; FIG. 7 is a top view of the protective sleeve for a container; FIG. 8 is a bottom view of the protective sleeve for a container;

FIG. 9 is a front perspective view of a second embodiment of a protective sleeve for a container, showing our new design;

FIG. 10 is a rear perspective view of the protective sleeve for a container;

FIG. 11 is a front view of the protective sleeve for a container;

FIG. 12 is a rear view of the protective sleeve for a container;

FIG. 13 is a right view of the protective sleeve for a container;

FIG. 14 is a left view of the protective sleeve for a container;

FIG. 15 is a top view of the protective sleeve for a container;

FIG. 16 is a bottom view of the protective sleeve for a container;

FIG. 17 is a front perspective view of a third embodiment of a protective sleeve for a container, showing our new design; FIG. 18 is a rear perspective view of the protective sleeve for a container;

FIG. 19 is a front view of the protective sleeve for a container;

FIG. 20 is a rear view of the protective sleeve for a container;

(Continued)

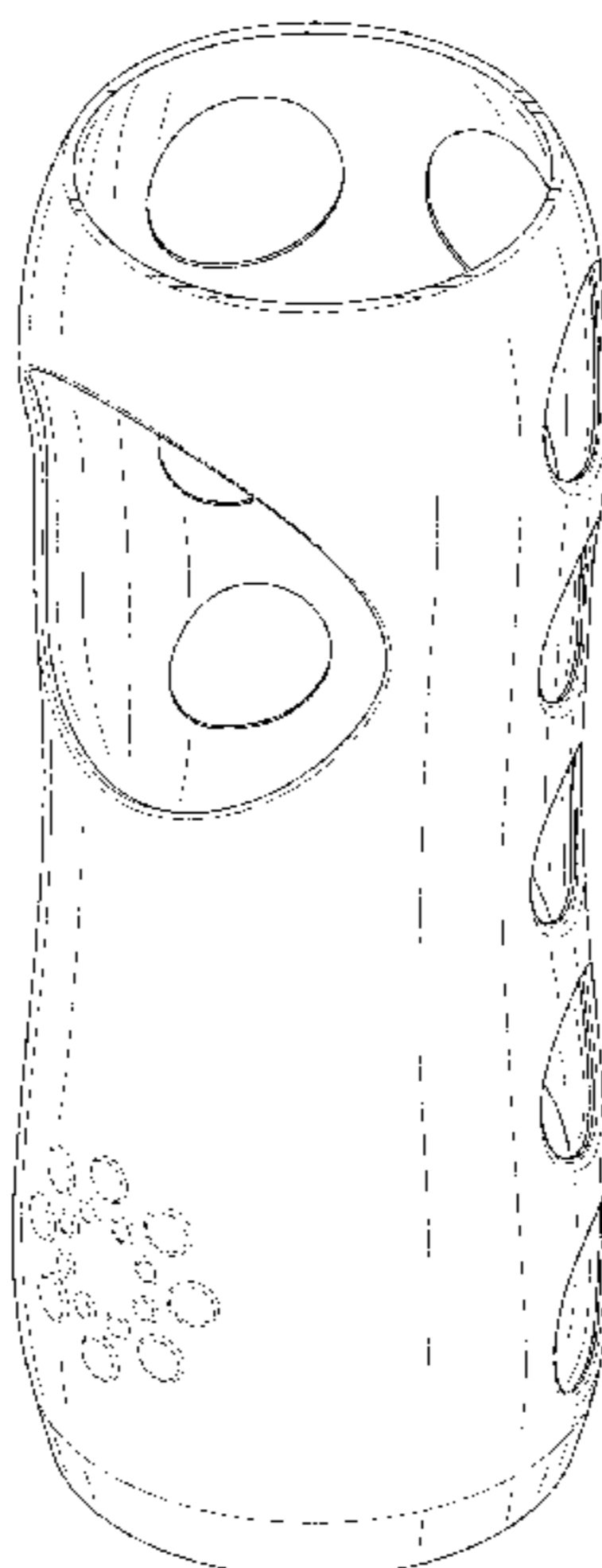


FIG. 21 is a right view of the protective sleeve for a container;
 FIG. 22 is a left view of the protective sleeve for a container;
 FIG. 23 is a top view of the protective sleeve for a container;
 FIG. 24 is a bottom view of the protective sleeve for a container;
 FIG. 25 is a front perspective view of a fourth embodiment of a protective sleeve for a container, showing our new design;
 FIG. 26 is a rear perspective view of the protective sleeve for a container;
 FIG. 27 is a front view of the protective sleeve for a container;
 FIG. 28 is a rear view of the protective sleeve for a container;
 FIG. 29 is a right view of the protective sleeve for a container;
 FIG. 30 is a left view of the protective sleeve for a container;
 FIG. 31 is a top view of the protective sleeve for a container; and,
 FIG. 32 is a bottom view of the protective sleeve for a container.
 In the drawings, the broken lines depict components of the protective sleeve for a container, that form no part of the claimed design.

1 Claim, 28 Drawing Sheets

(58) **Field of Classification Search**

CPC A47G 23/0216; A47G 23/0258; A47G 23/02; A47G 23/0241; A47G 19/2205; A47G 19/2288; A47G 19/2272; F17C 13/001; B65D 81/3886; B65D 81/3823; B65D 81/3818; B65D 81/3846; B65D 81/3837; B65D 81/3839; B65D 81/3841; B65D 81/3844; B65D 81/3876; B65D 81/3879; B65D 81/3883; B65D 81/3888; B65D 81/022; B65D 81/03; B65D 1/0215; B65D 21/0228; B65D 21/083; B65D 23/0885; B65D 41/04; B65D 1/06; B65D 1/04; B65D 25/20; B65D 23/0871; B65D 23/001; B65D 23/08; F25D 3/08; F25D 3/14; F25D 2331/804; A47J 42/02; A47J 41/0077; A47J 41/02; A47J 41/022; A47J 41/024; A47J 41/026; A47J 41/028; A47J 41/00; A47J 43/27; A45C 11/20; B44C 1/18; A45F 3/16; A61J 9/08

See application file for complete search history.

(56)

References Cited

U.S. PATENT DOCUMENTS

3,374,298	A	3/1968	Studen	
D216,096	S	11/1969	Lawton	
4,344,303	A *	8/1982	Kelly, Jr.	B65D 81/3883 62/530
D267,332	S	12/1982	Pirovano et al.	
4,510,665	A	4/1985	Scheurer	
4,540,611	A *	9/1985	Henderson	B65D 23/08 150/901
5,269,368	A	12/1993	Schneider et al.	
6,041,952	A	3/2000	Martin	
6,464,100	B2	10/2002	Canfield	
D492,547	S	7/2004	Hsu	
D567,094	S	4/2008	Bickert	
D612,687	S	3/2010	Gilbert et al.	
D615,816	S	5/2010	Joy et al.	
D621,259	S	8/2010	Joy et al.	
D623,899	S	9/2010	Baratte	
D629,259	S *	12/2010	Joy	D7/607
D634,159	S	3/2011	Bodum	
D635,685	S	4/2011	Hendricks et al.	
D644,072	S	8/2011	McDonald et al.	
8,579,133	B2	11/2013	Marcus et al.	
D696,080	S	12/2013	Joy	
8,608,018	B2	12/2013	Babinsky et al.	
D700,806	S *	3/2014	Joy	D7/507
D701,091	S *	3/2014	Joy	A61J 9/08 D7/624.2
D707,087	S *	6/2014	Joy	D7/607
D752,765	S *	3/2016	Taylor	D24/197
2008/0078824	A1	4/2008	Spiegel et al.	
2009/0057257	A1	3/2009	Marcus et al.	

FOREIGN PATENT DOCUMENTS

TW	210213	7/1993
WO	2009032951 A1	3/2009

OTHER PUBLICATIONS

Lifefactory, Small Beverage Glass 2-pack, publication date unknown, [site visited Jun. 20, 2016], Available on the InternetURL: <<https://www.lifefactory.com/product/small-bev-glass-2-pack-cobalt>>.
 Notice of Allowance dated Jul. 20, 2016 for Design U.S. Appl. No. 29/511,293.
 Notice of Allowance dated Jul. 28, 2016 for Design U.S. Appl. No. 29/511,296.
 Office Action dated Nov. 2, 2015 for Australian Design Patent Registration No. 362270.
 Office Action dated Nov. 2, 2015 for Australian Design Patent Registration No. 362271.
 Office Action dated Oct. 16, 2019 for Japanese Patent Application No. 2019-6879.
 Office action dated Oct. 25, 2019 for Taiwan Design Application No. 10830233.
 Office action dated Oct. 25, 2019 for Taiwan Design Application No. 10830236.

* cited by examiner

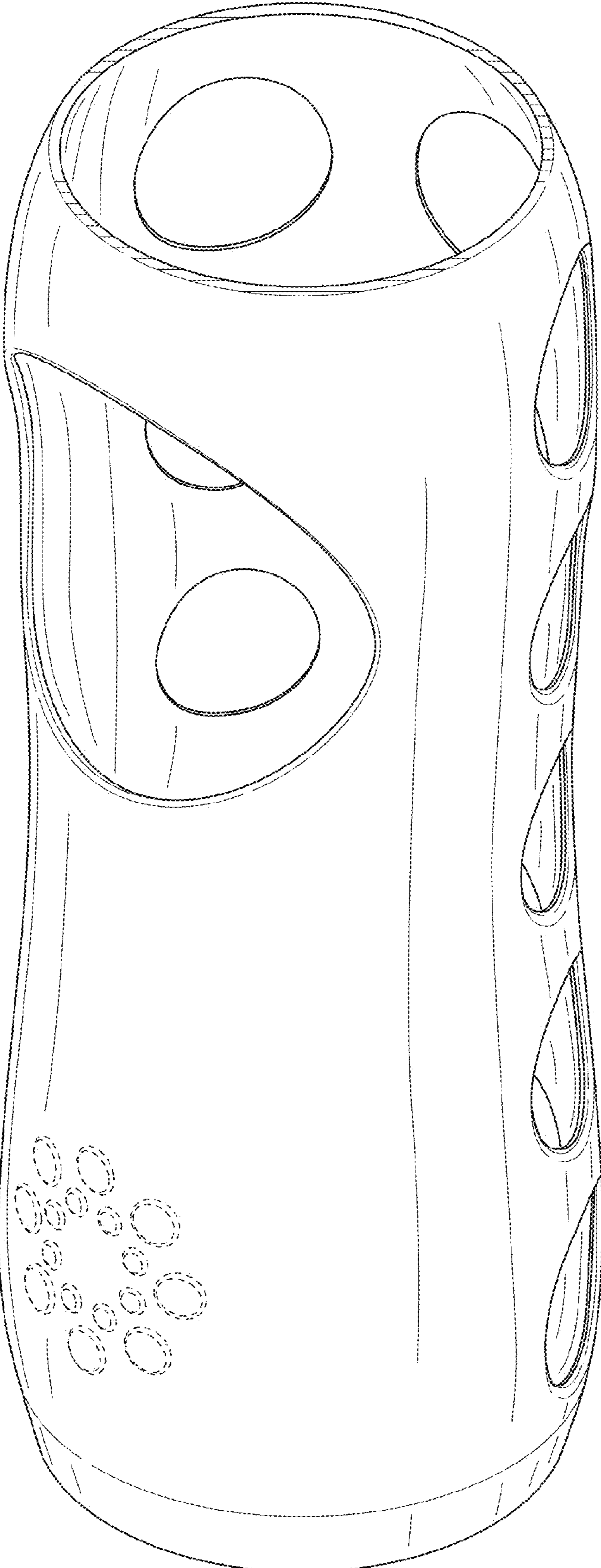


FIG. 1

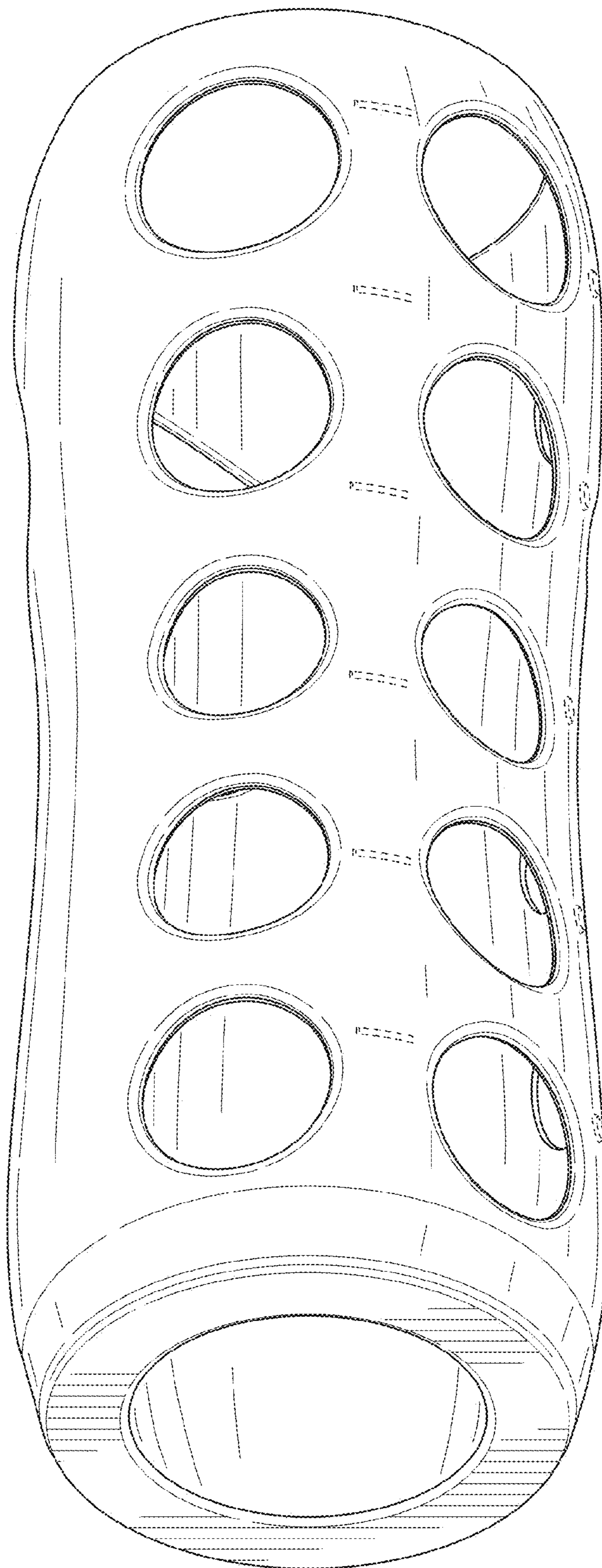


FIG. 2

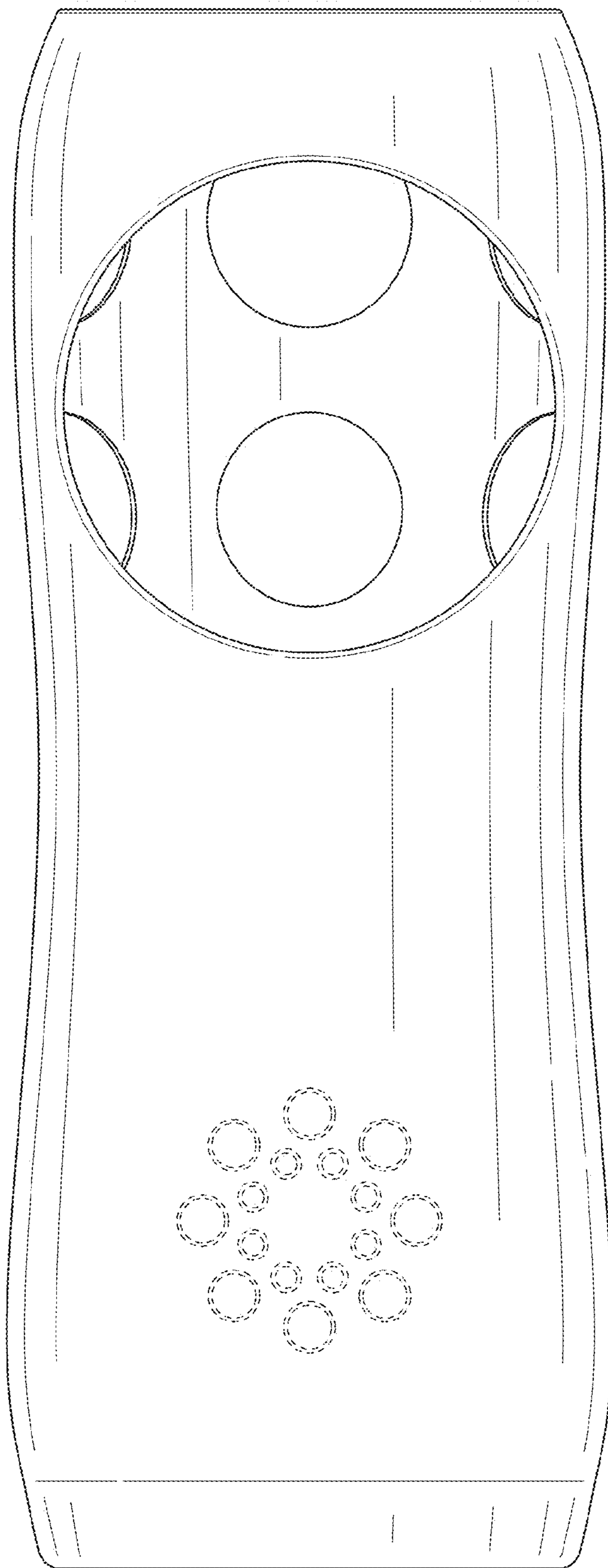


FIG. 3

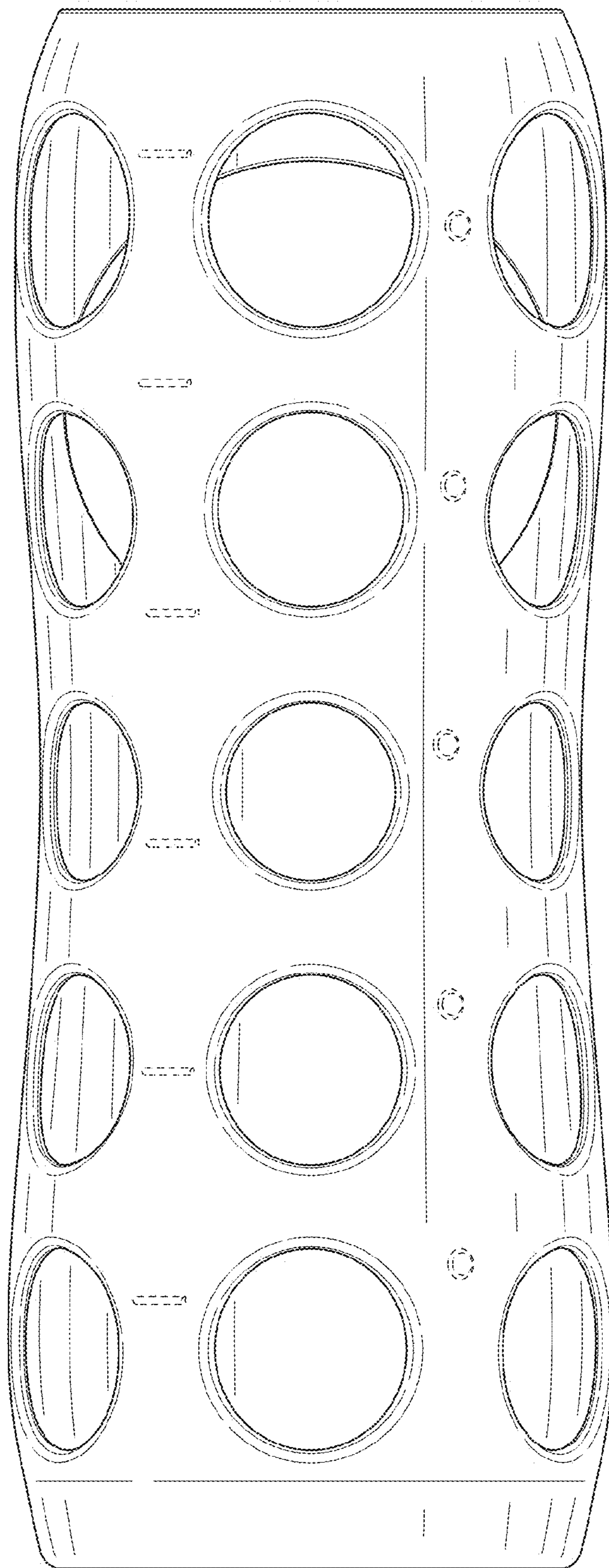


FIG. 4

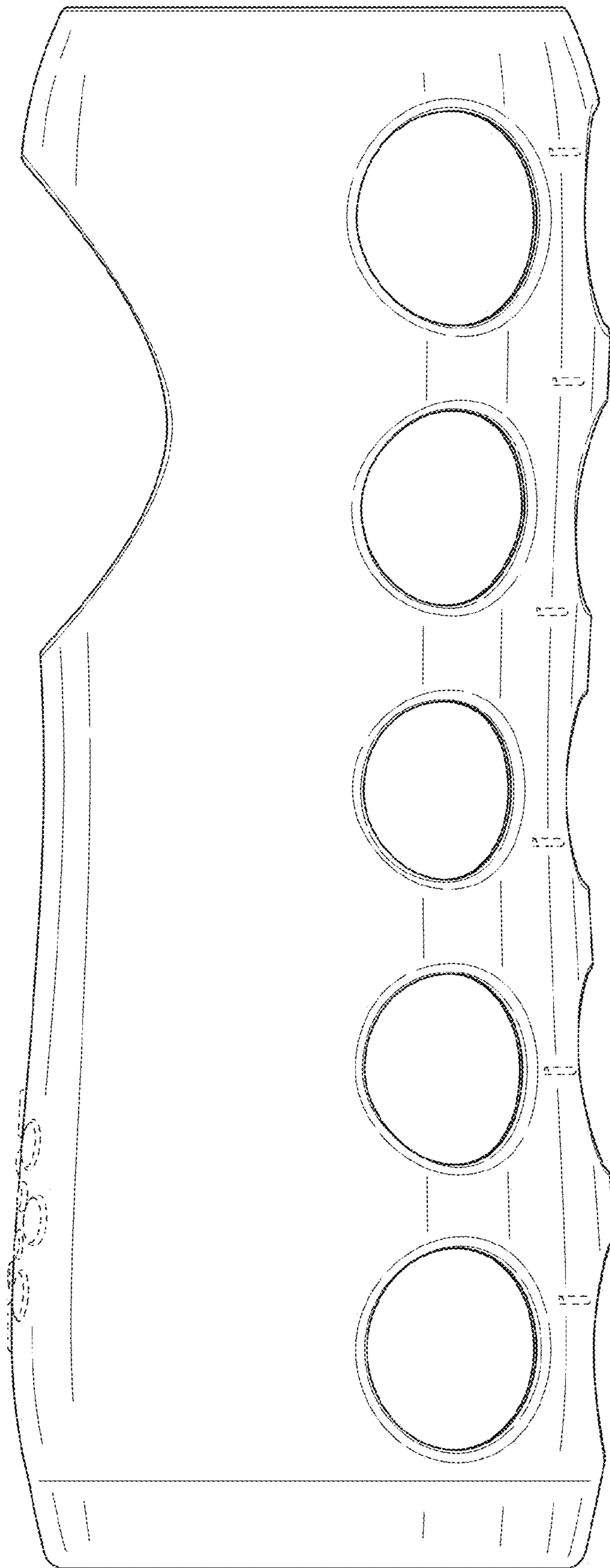


FIG. 5

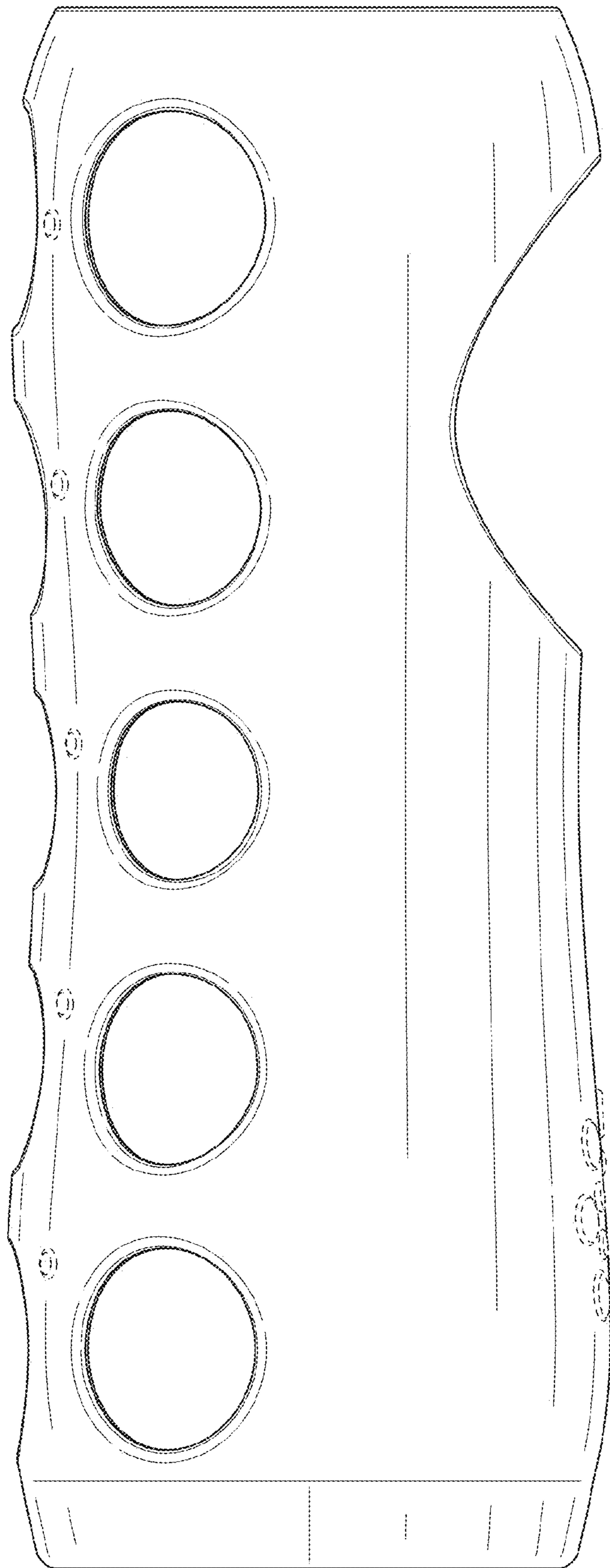


FIG. 6

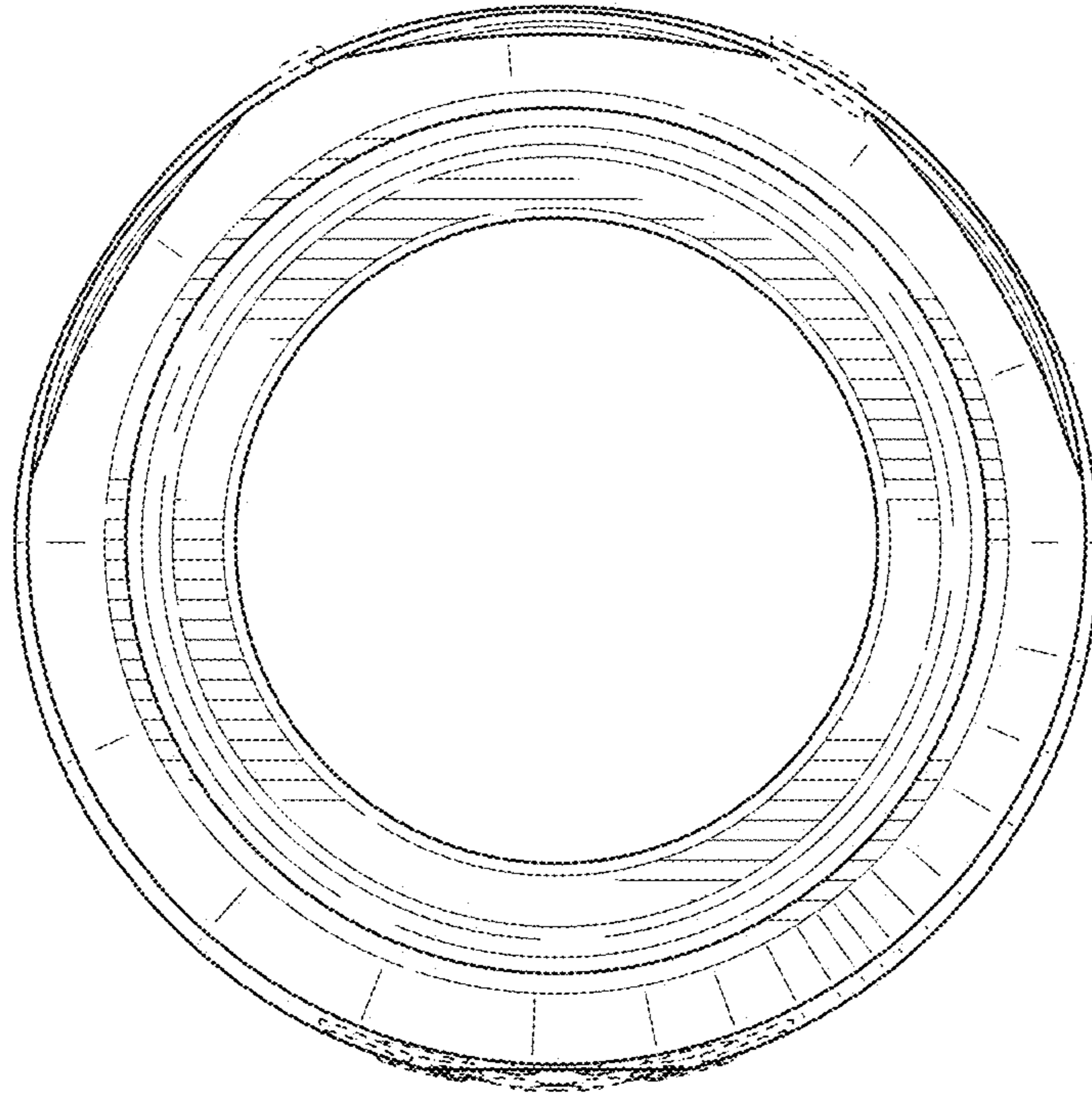


FIG. 7

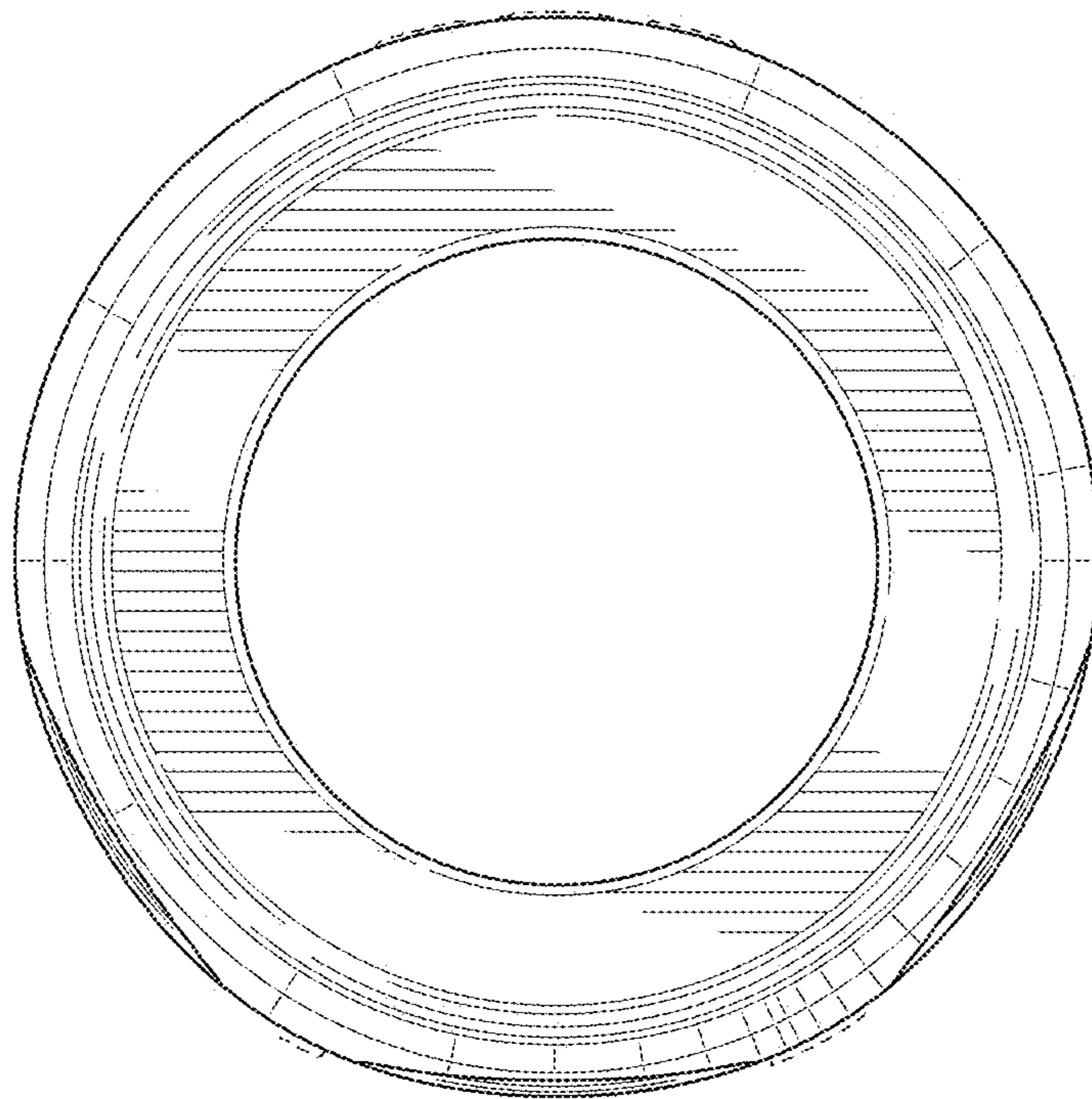


FIG. 8

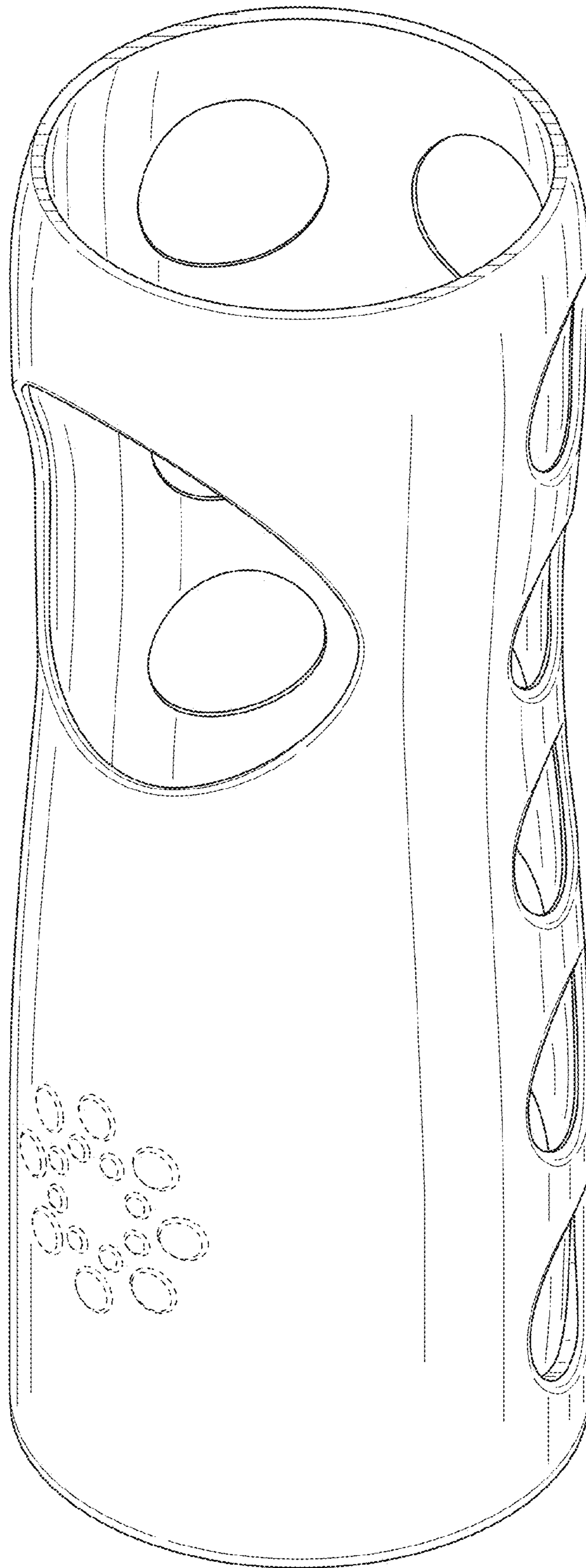


FIG. 9

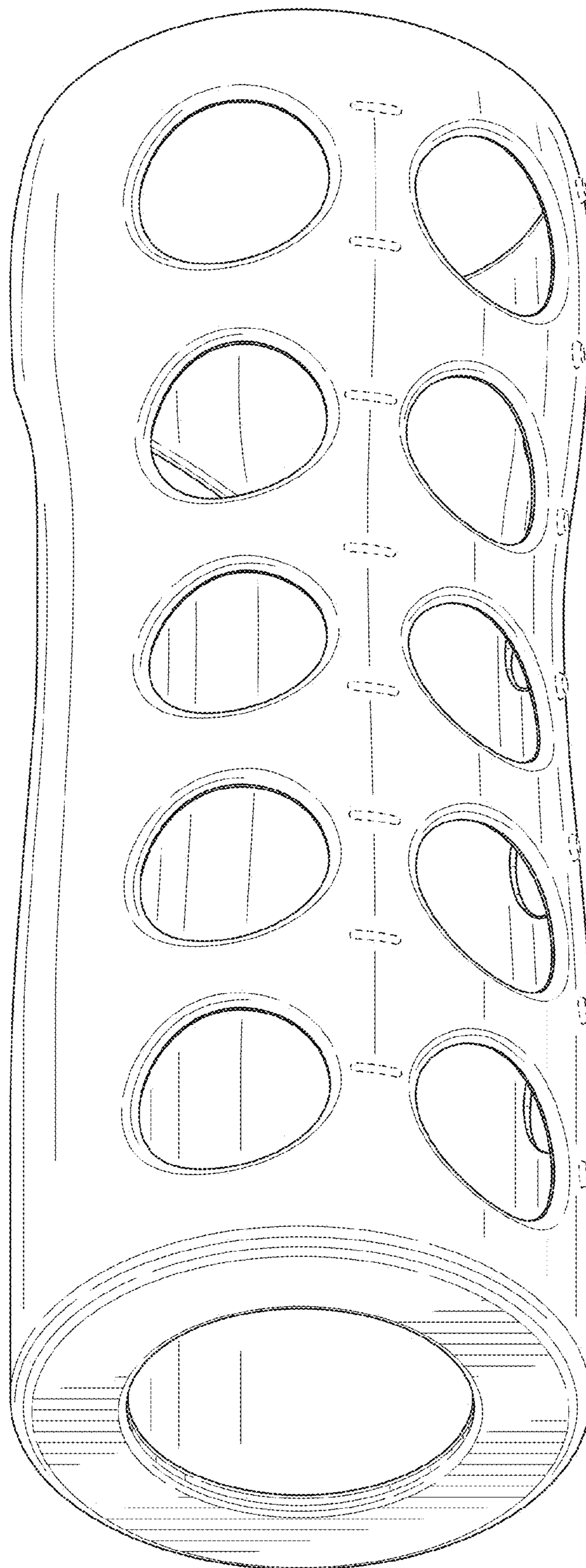


FIG. 10

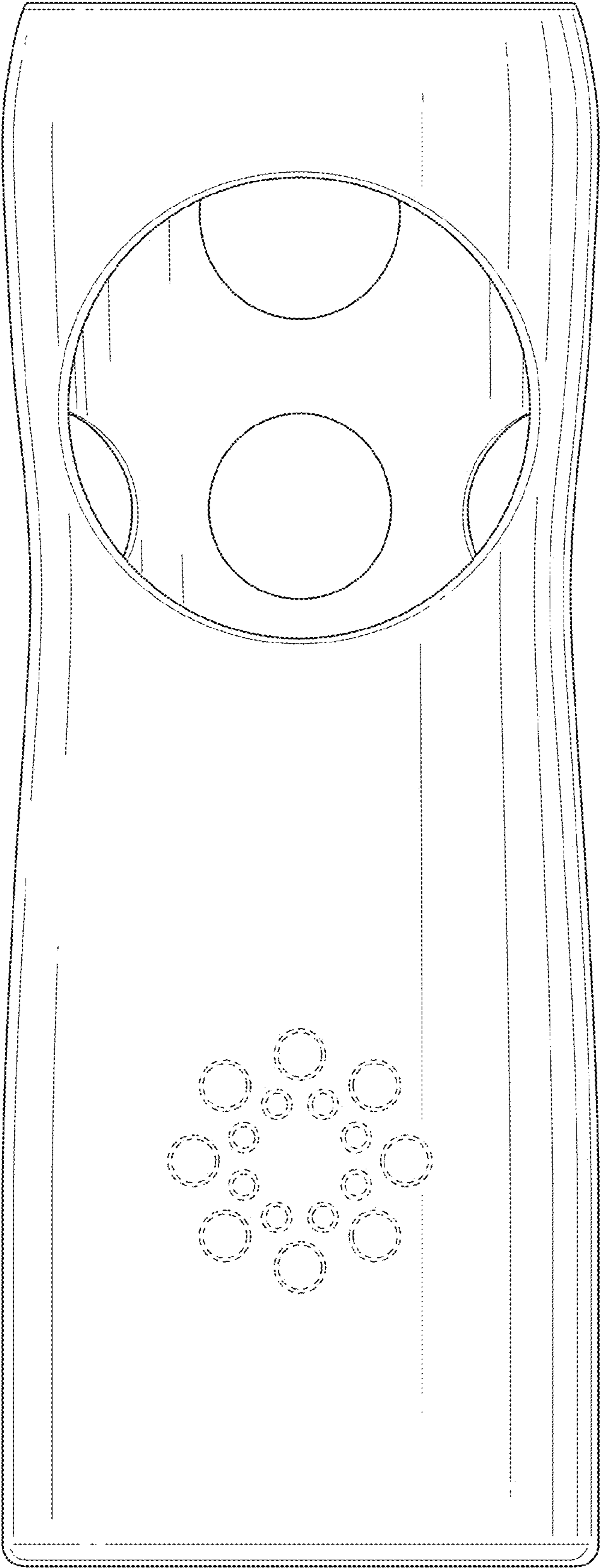


FIG. 11

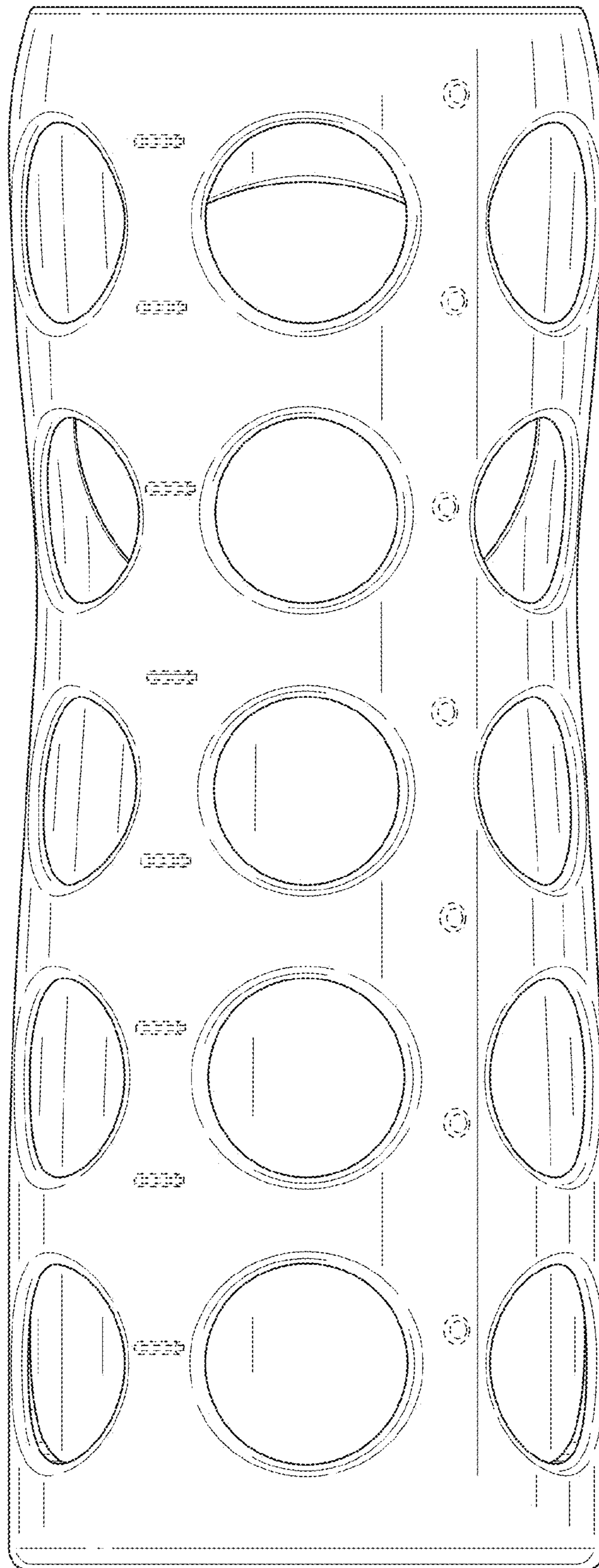


FIG. 12

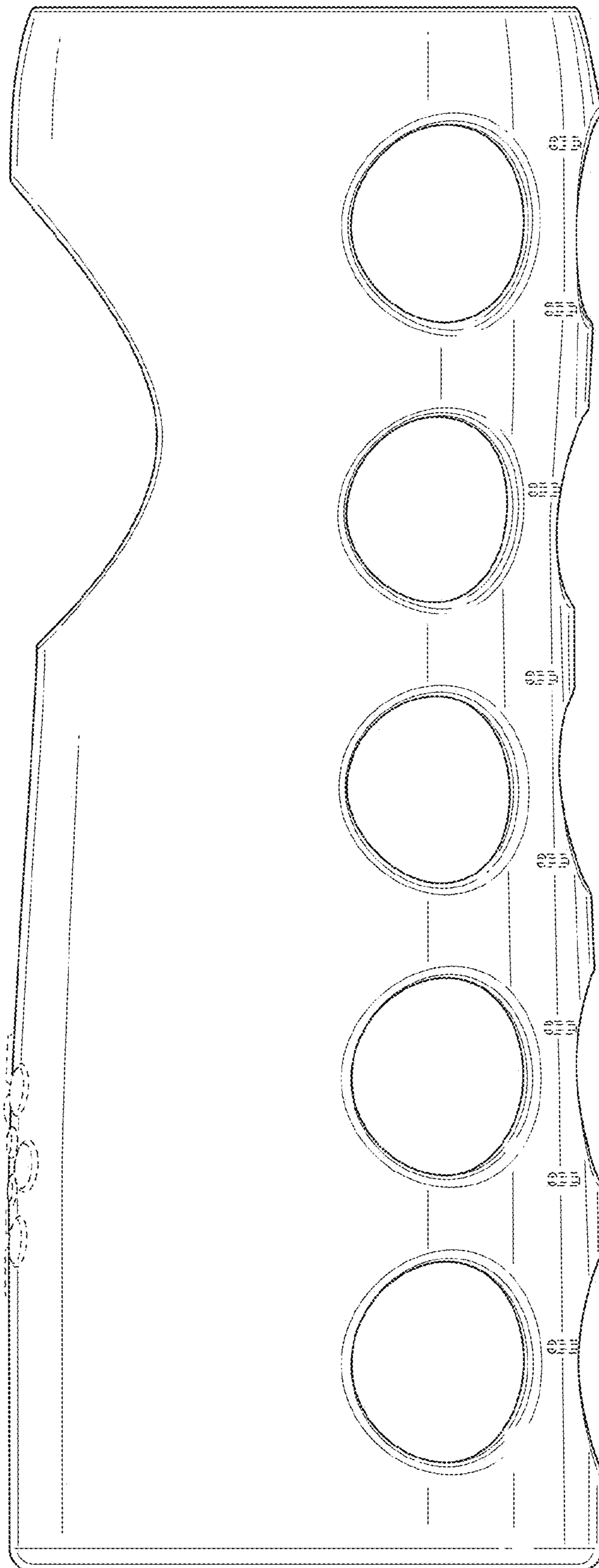


FIG. 13

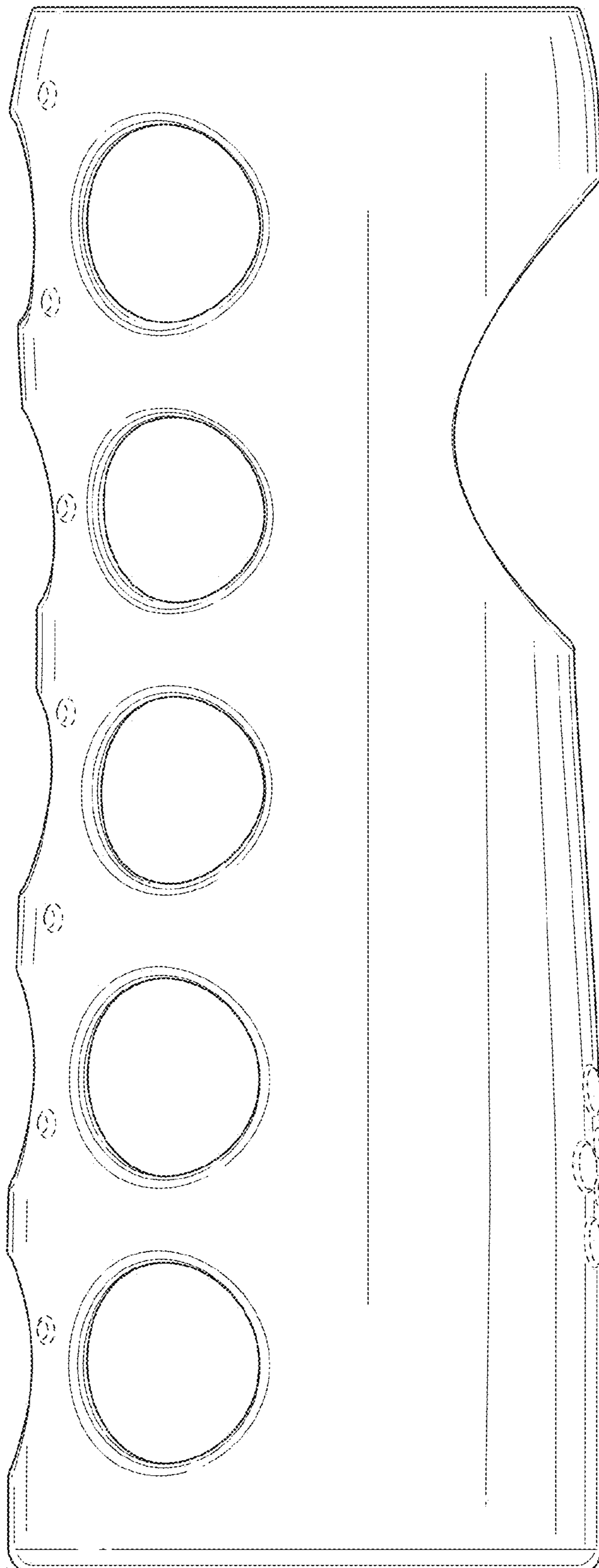


FIG. 14

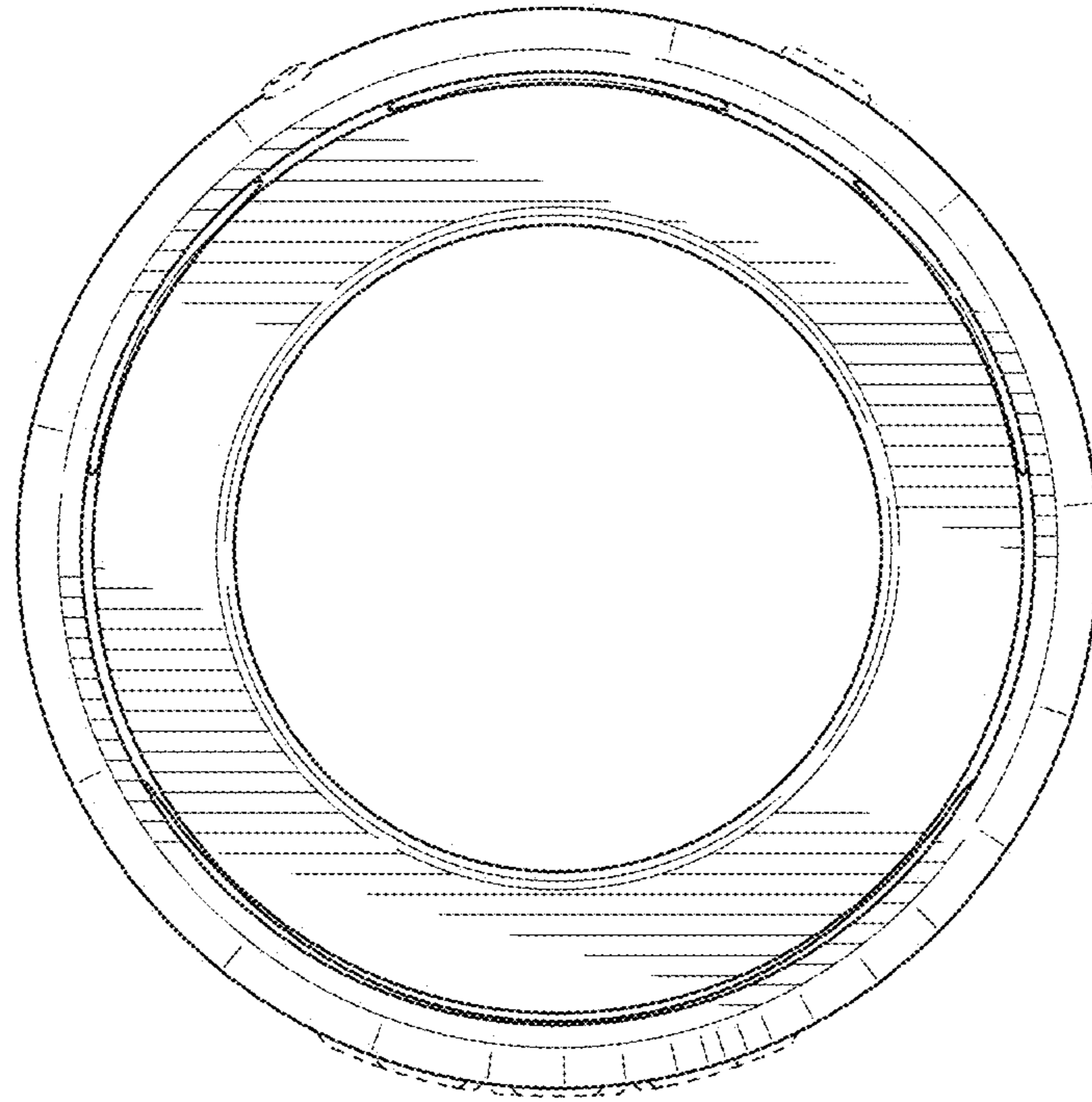


FIG. 15

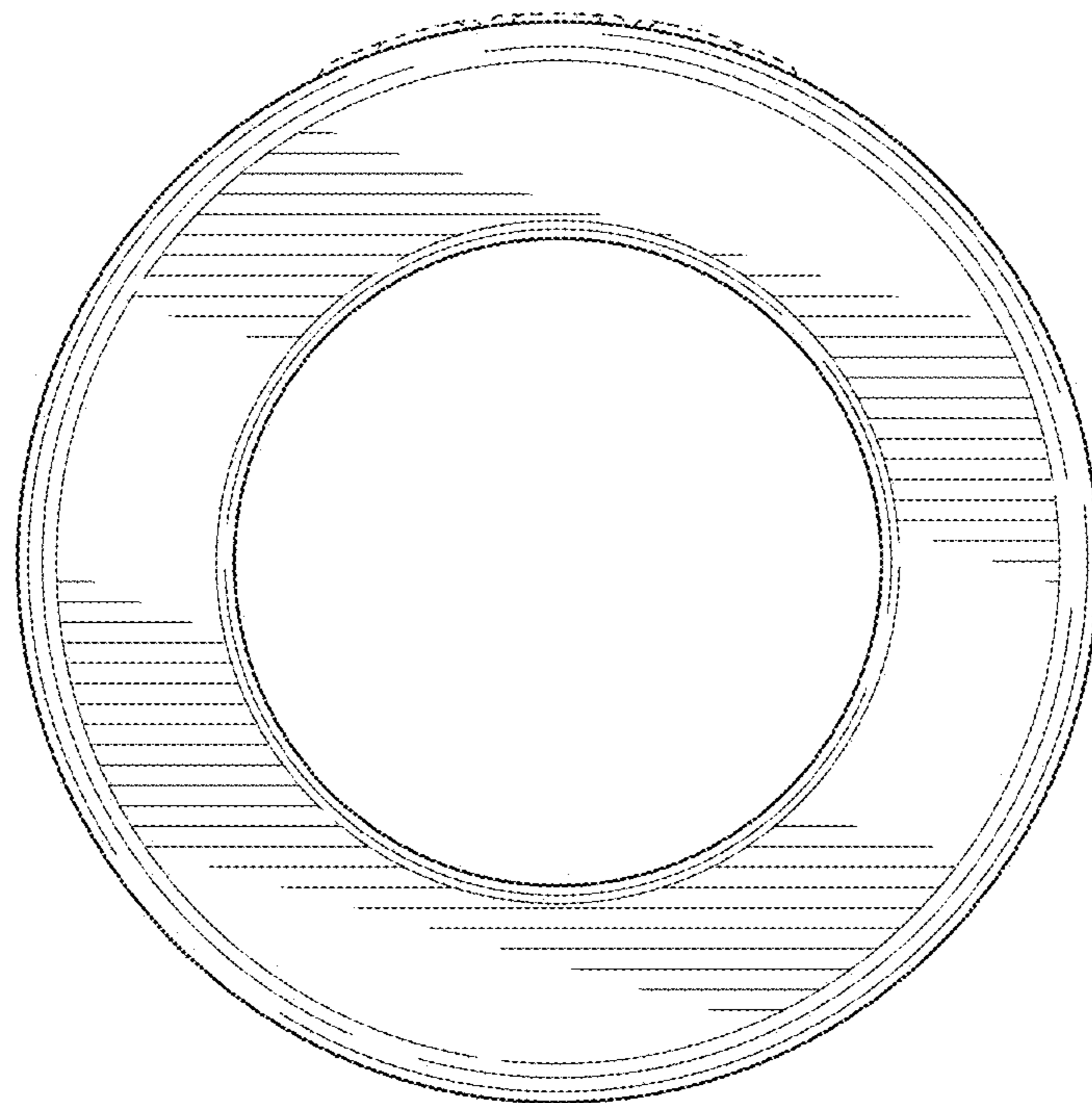


FIG. 16

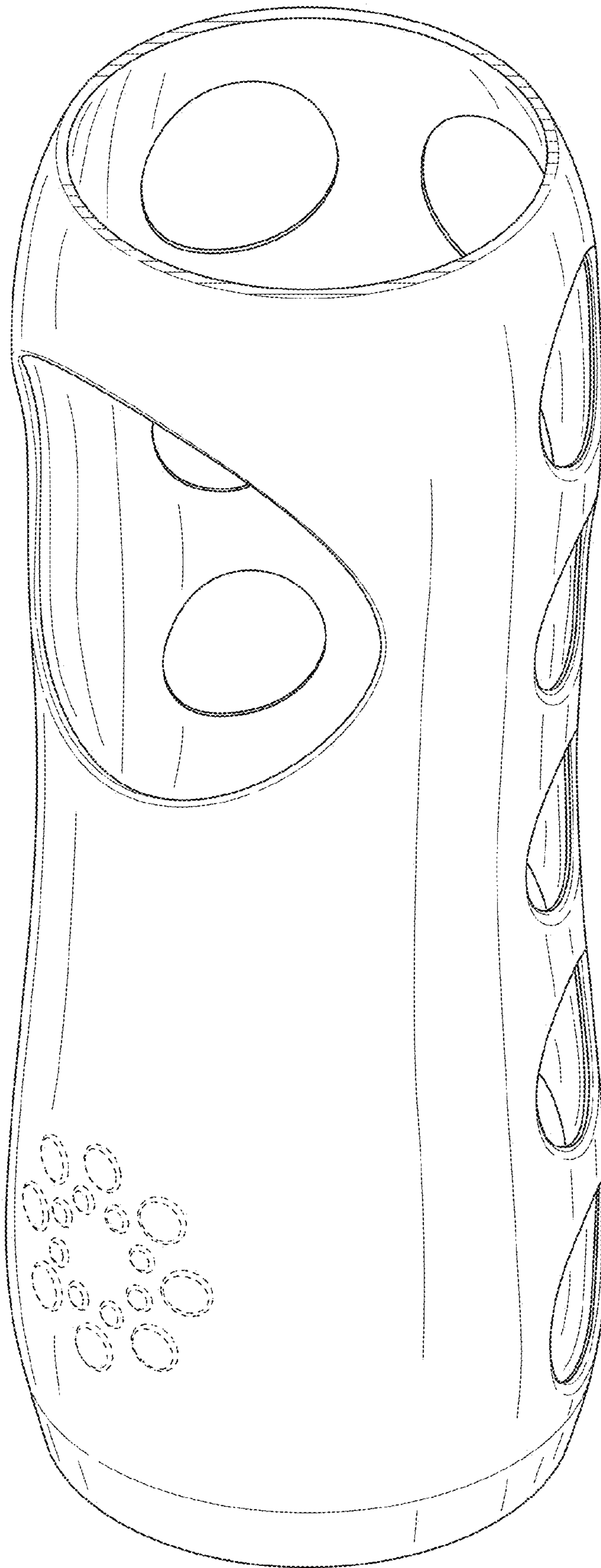


FIG. 17

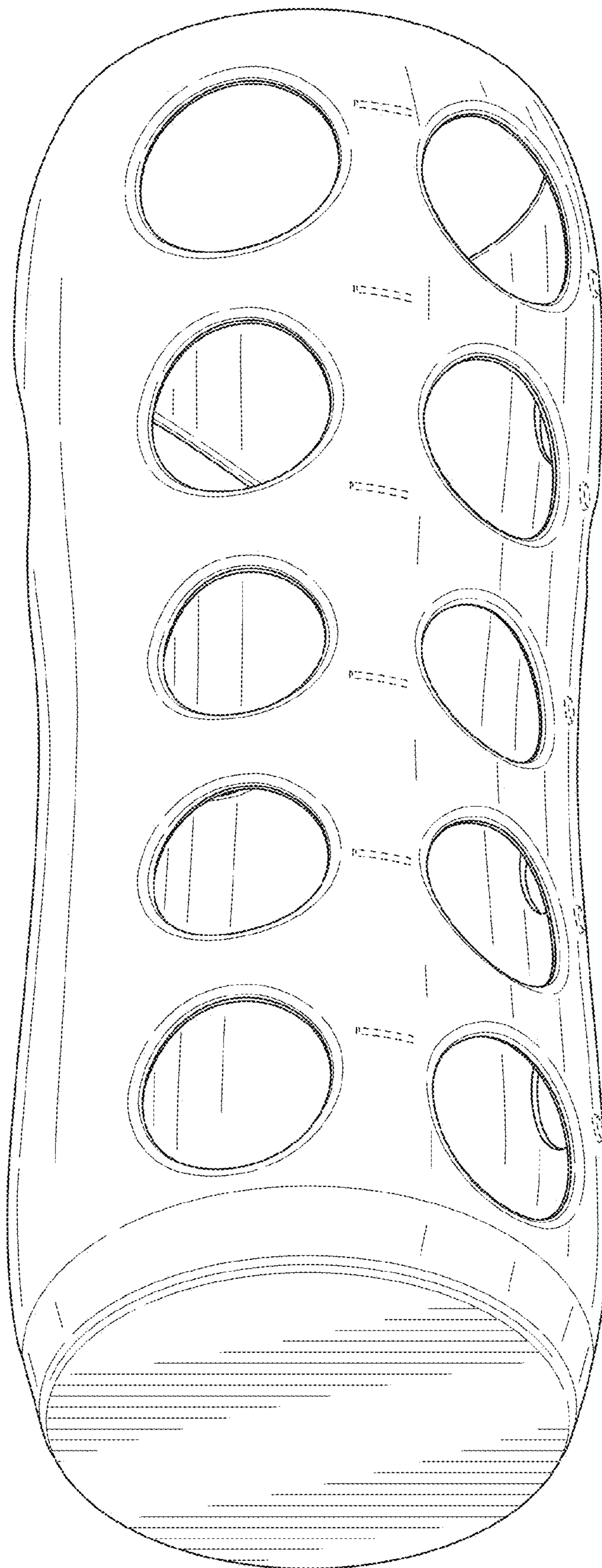


FIG. 18

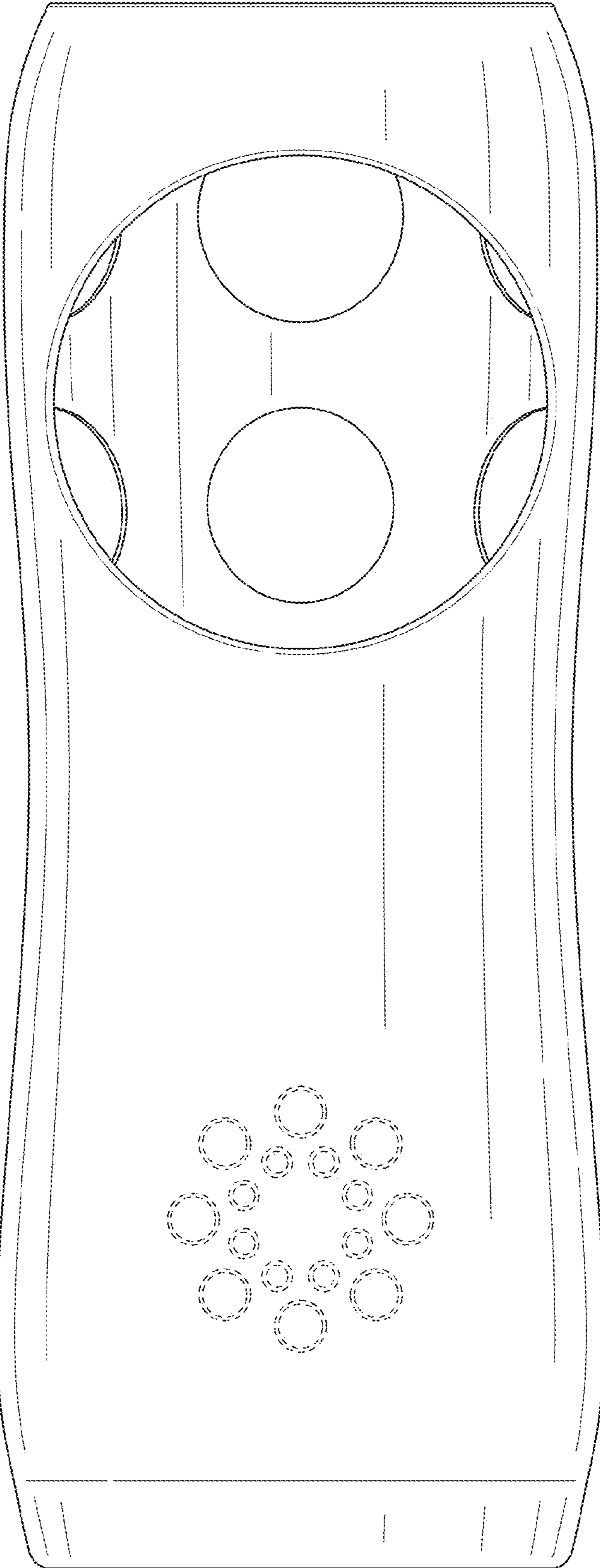


FIG. 19

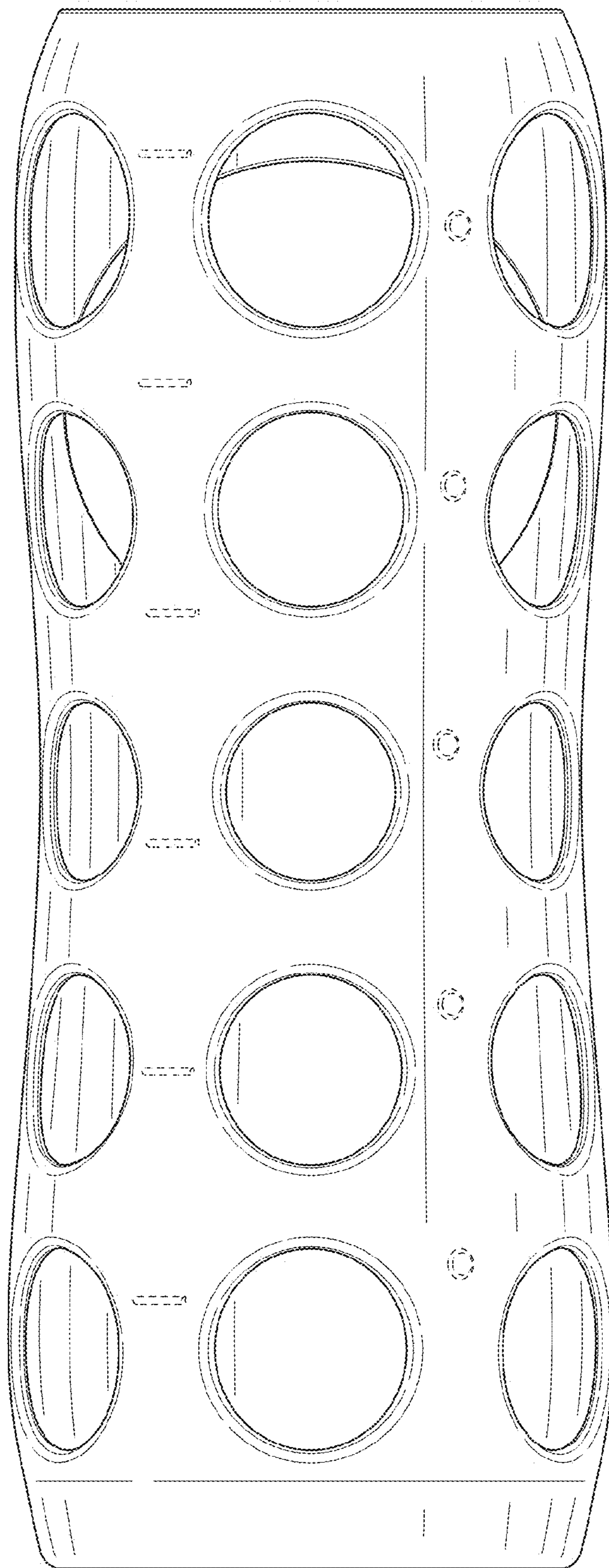


FIG. 20

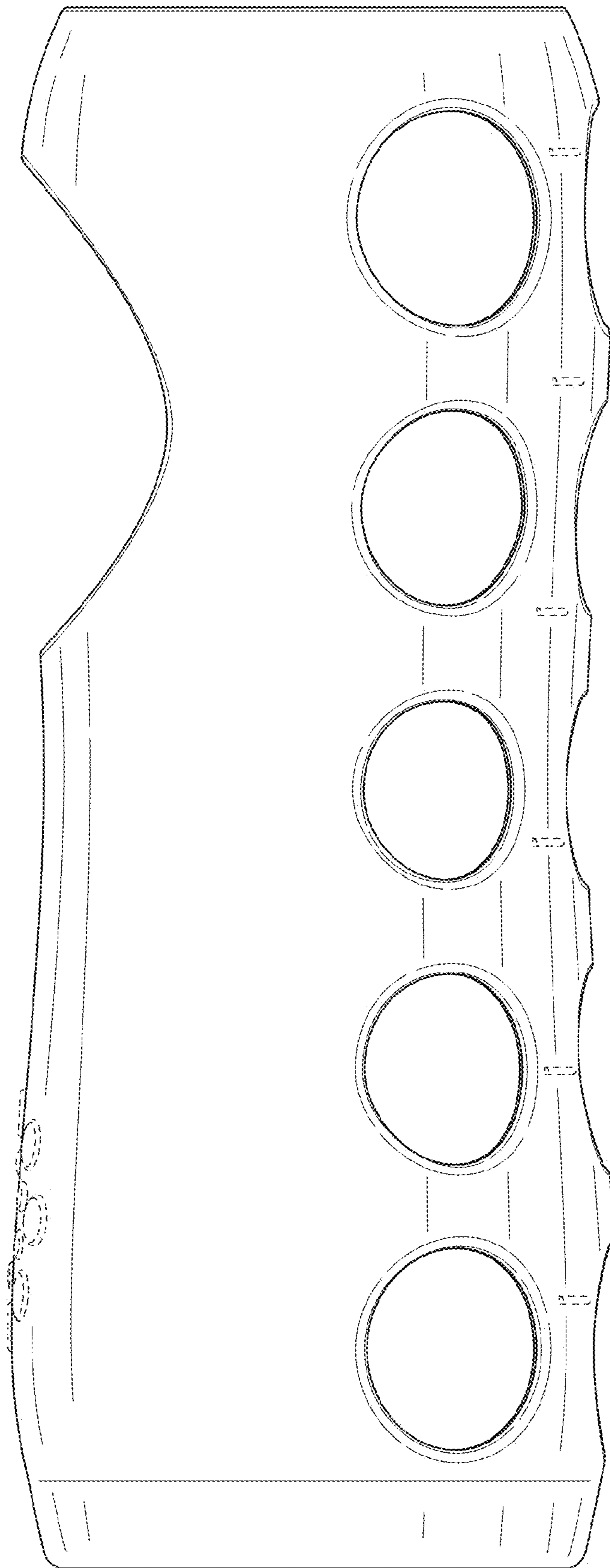


FIG. 21

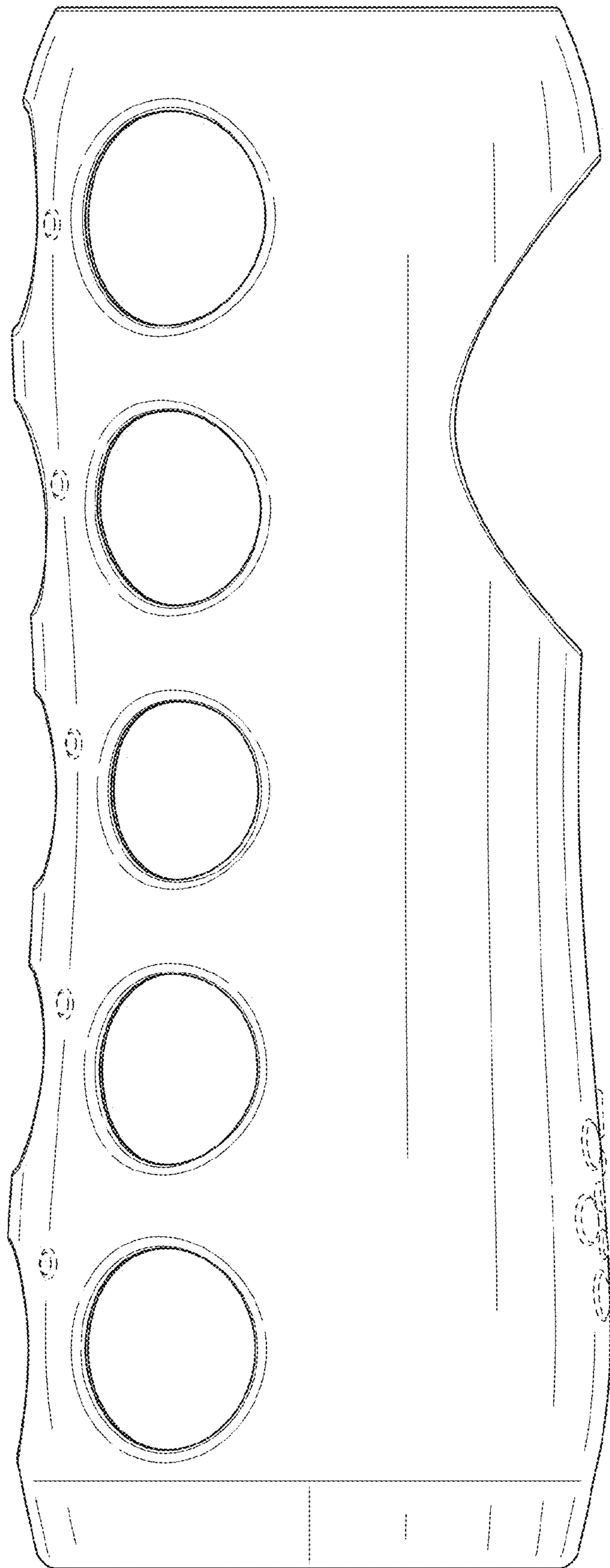


FIG. 22

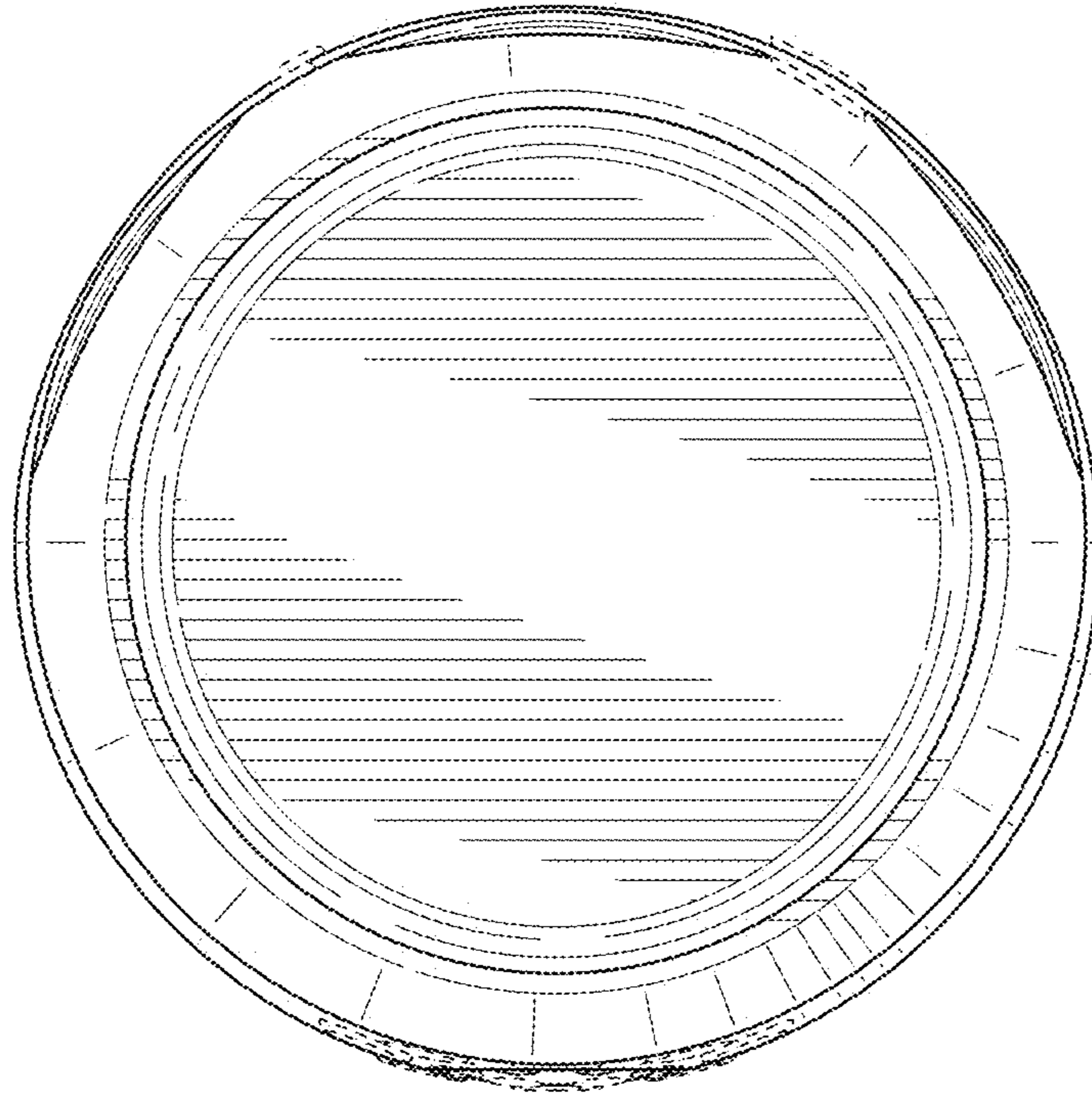


FIG. 23

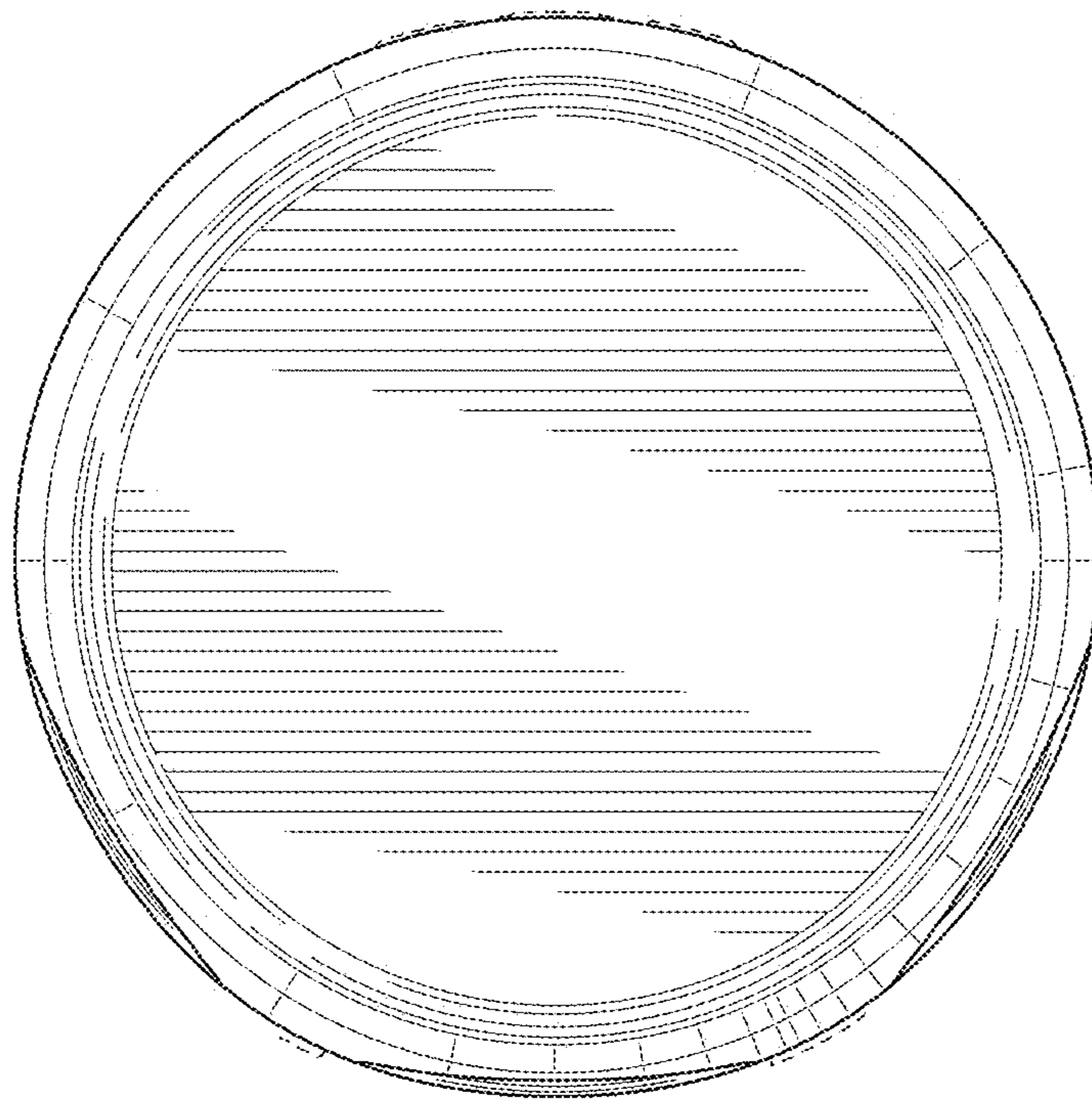


FIG. 24

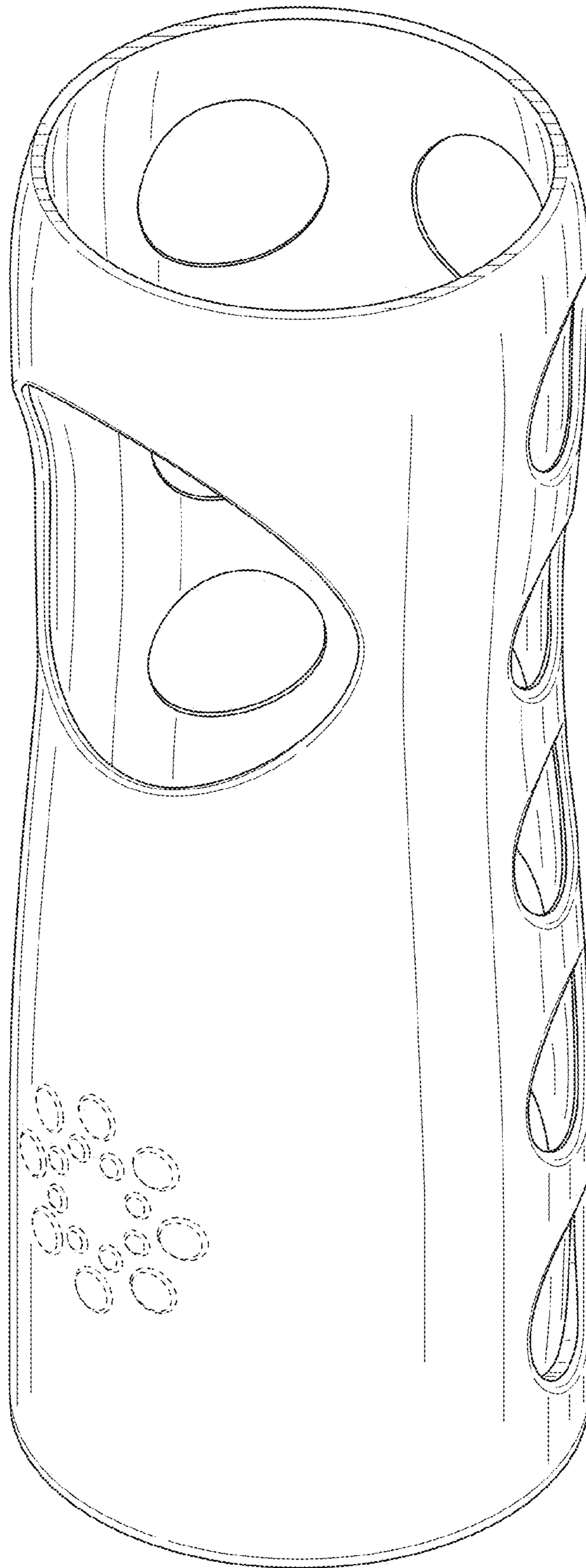


FIG. 25

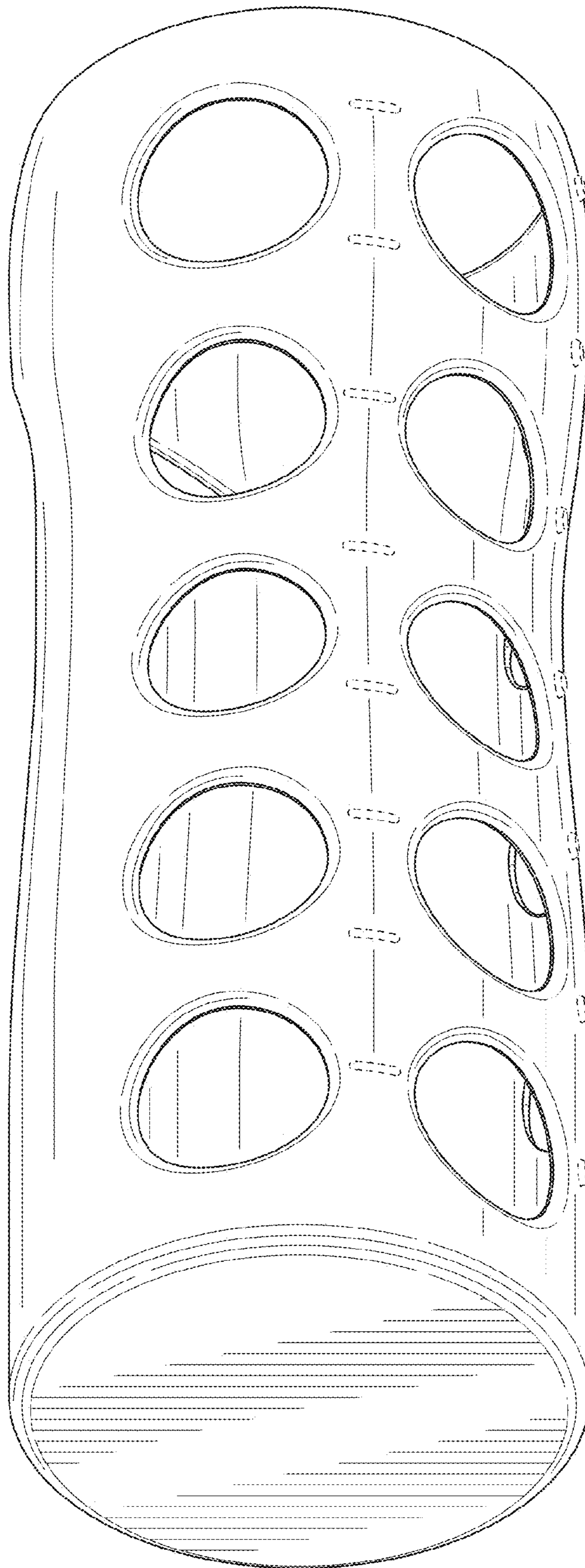


FIG. 26

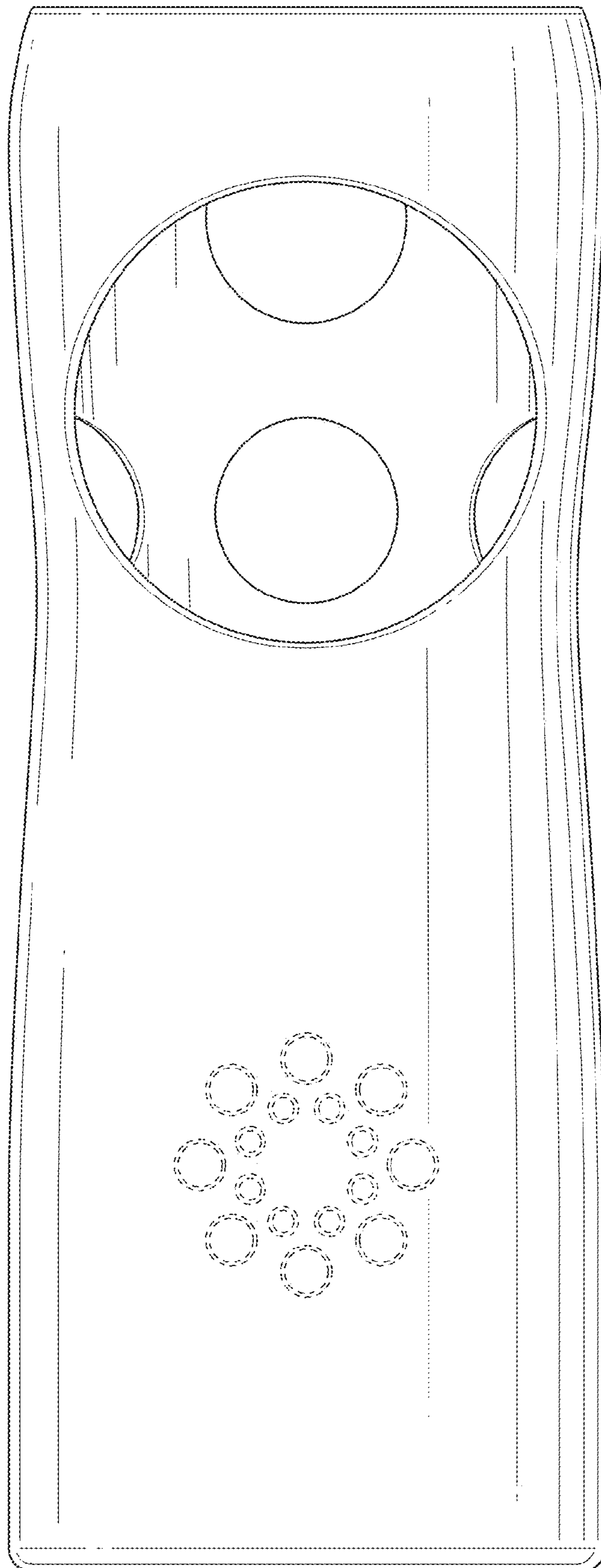


FIG. 27

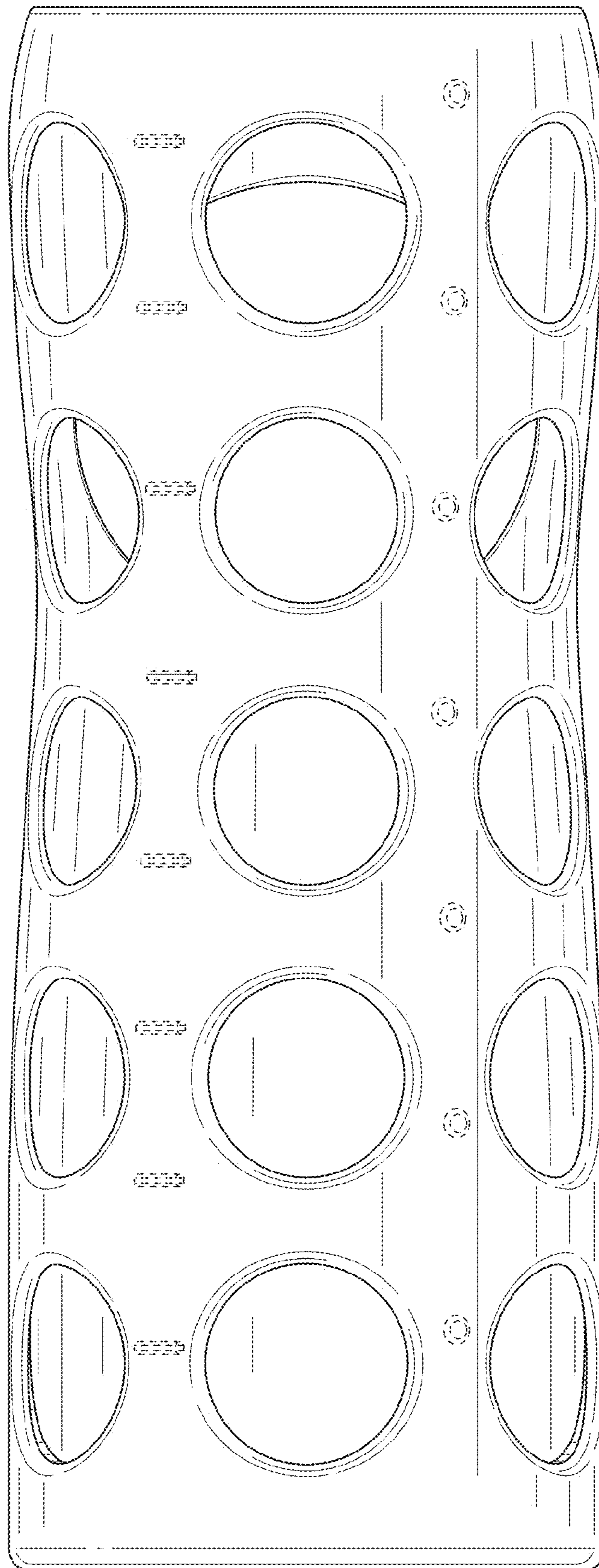


FIG. 28

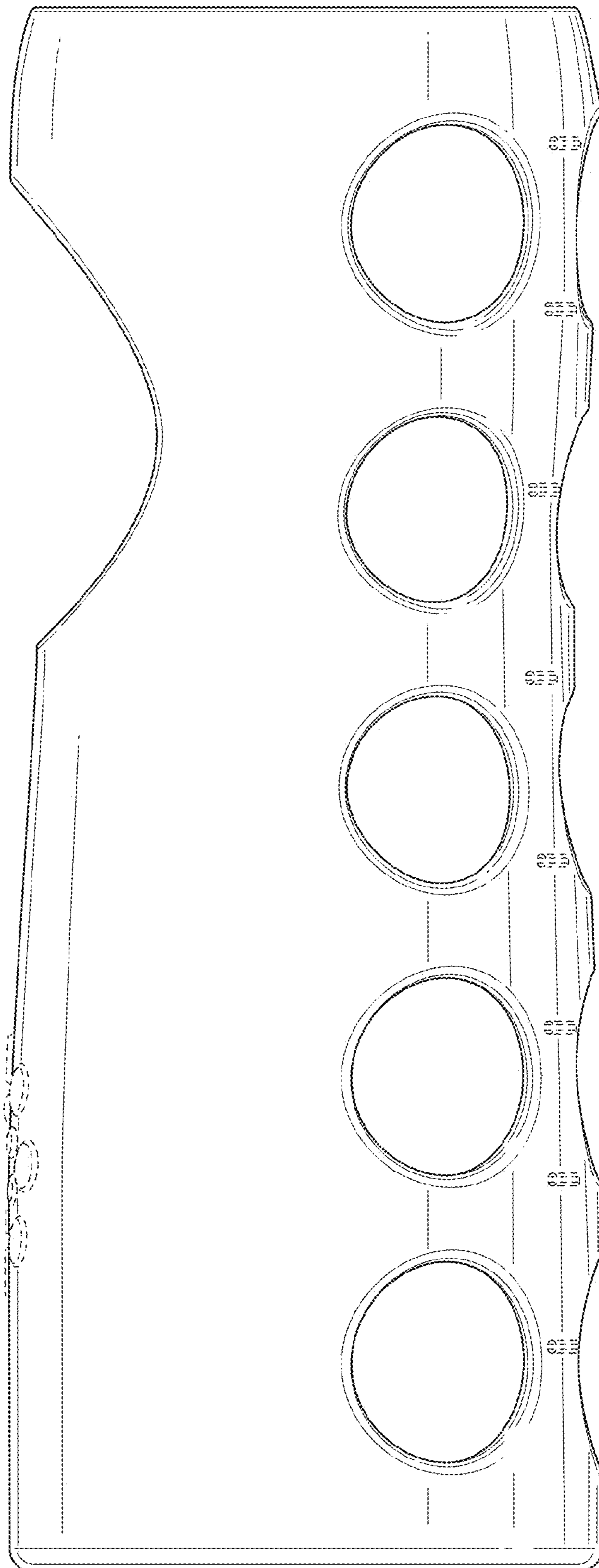


FIG. 29

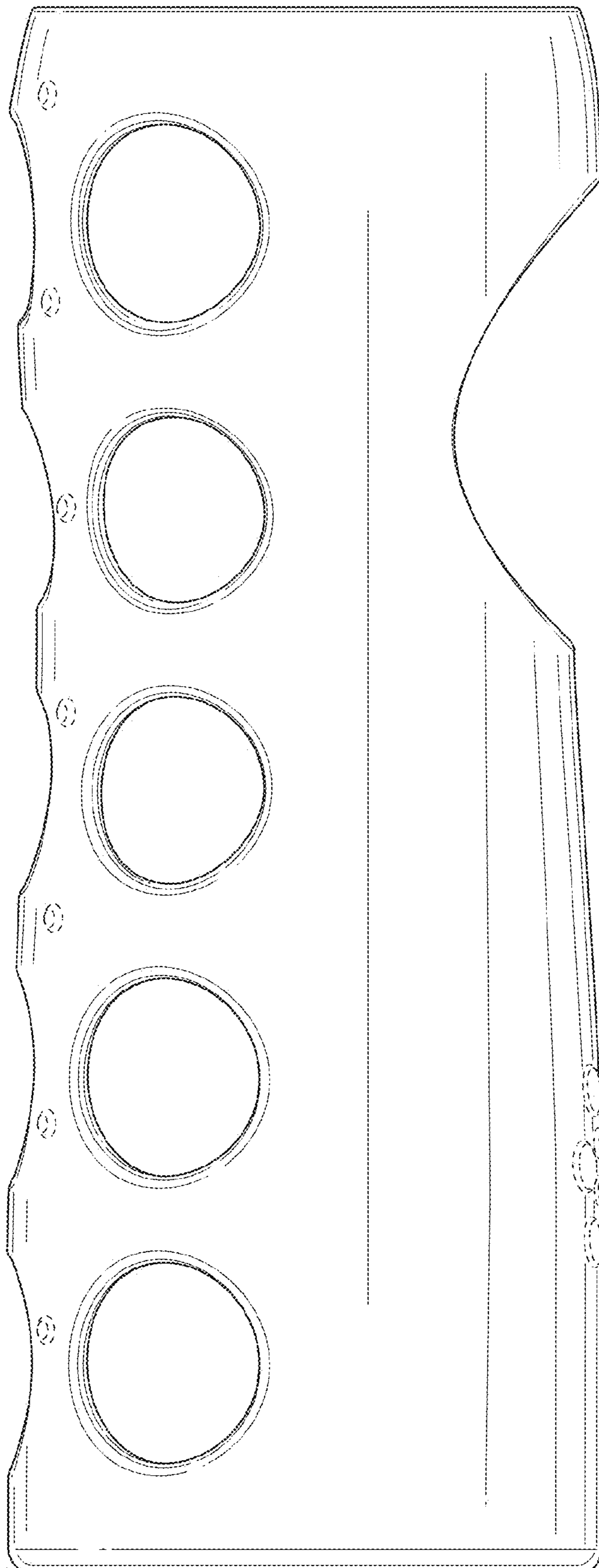


FIG. 30

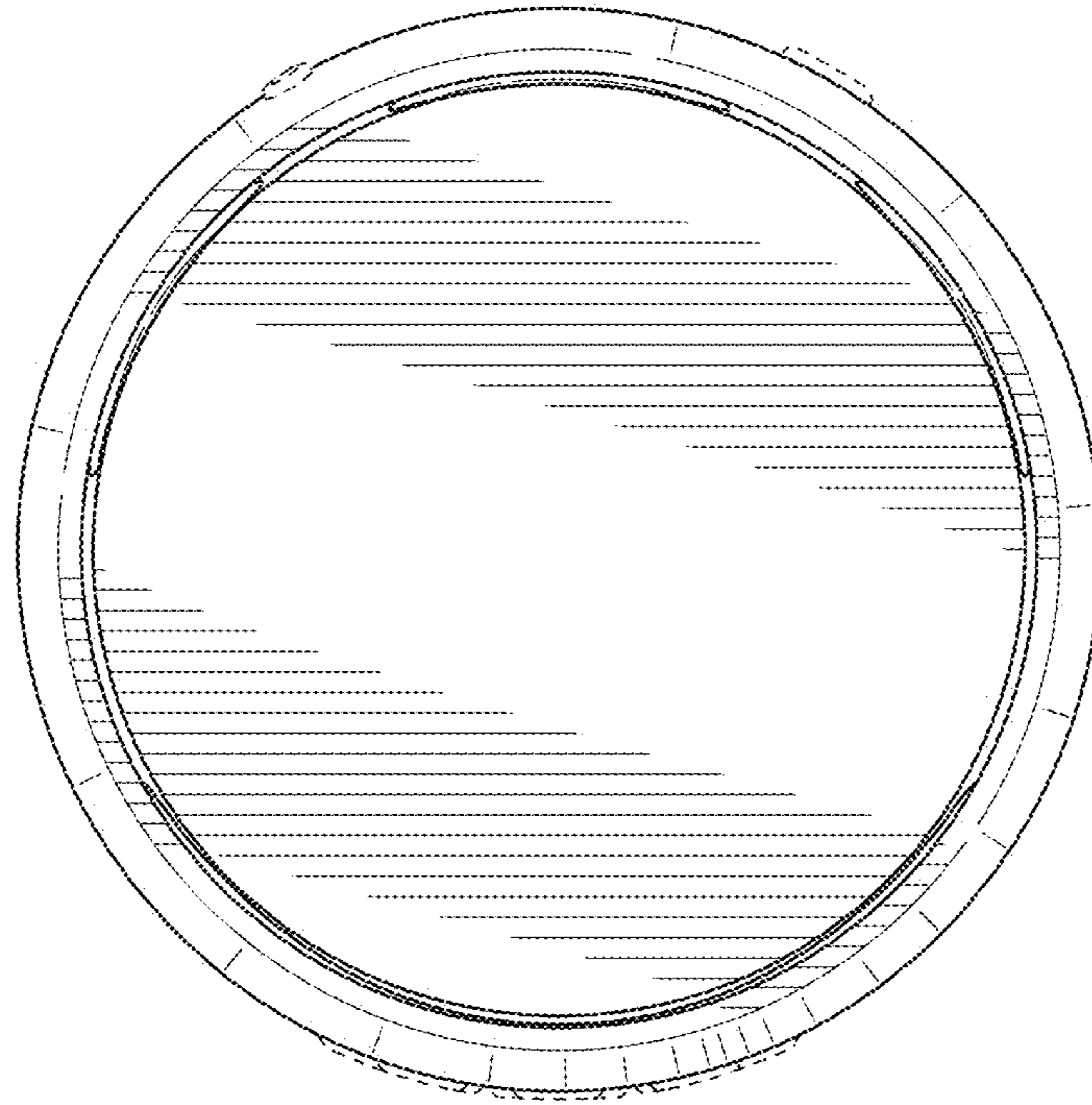


FIG. 31

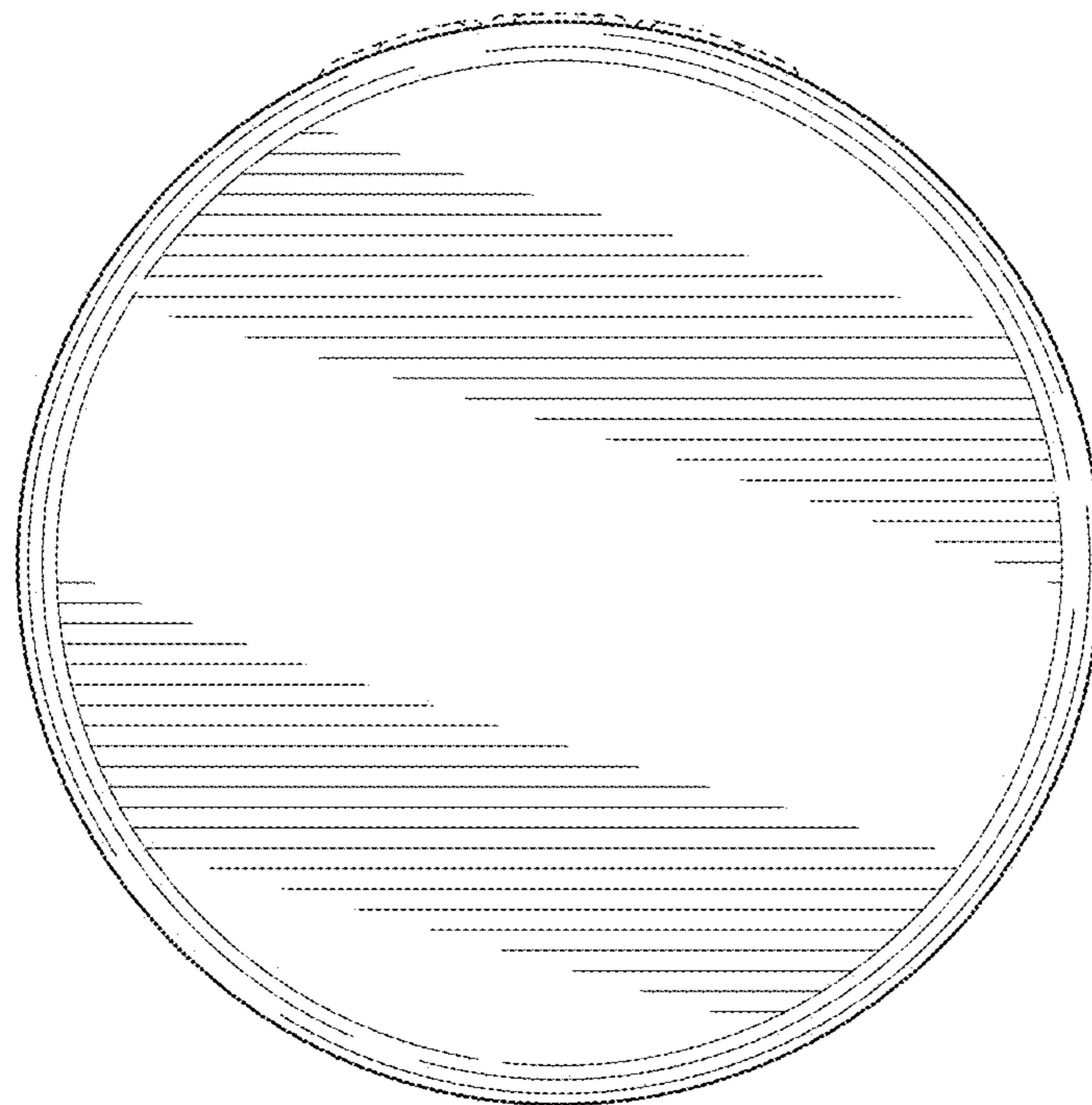


FIG. 32