



US00D898524S

(12) **United States Design Patent** (10) **Patent No.:** **US D898,524 S**  
**Mutch et al.** (45) **Date of Patent:** **\*\* Oct. 13, 2020**

(54) **OIL DISPENSER**  
(71) Applicants: **Martin Mutch**, New York, NY (US);  
**Sunny Kim**, Douglaston, NY (US)  
(72) Inventors: **Martin Mutch**, New York, NY (US);  
**Sunny Kim**, Douglaston, NY (US)  
(73) Assignee: **Helen of Troy Limited**, St. Michael  
(BB)  
(\*\*) Term: **15 Years**  
(21) Appl. No.: **29/690,872**  
(22) Filed: **May 12, 2019**  
(51) **LOC (12) Cl.** ..... **07-06**  
(52) **U.S. Cl.**  
USPC ..... **D7/598**  
(58) **Field of Classification Search**  
USPC ..... D7/589, 590, 591, 598, 397, 401.1;  
D9/523, 549, 434, 435, 436, 442, 445,  
D9/448, 447  
CPC ..... B65D 1/02; B65D 25/40; B65D 39/00;  
B65D 47/06; B65D 47/066; A47G 19/22;  
A47G 19/2266  
See application file for complete search history.

D680,429 S \* 4/2013 Wand ..... D9/435  
D734,638 S \* 7/2015 Wahl ..... D7/392.1  
D735,035 S \* 7/2015 Lane ..... D9/447  
D744,778 S \* 12/2015 Wahl ..... D7/391  
D754,540 S \* 4/2016 Wang ..... D9/434  
9,944,435 B2 \* 4/2018 Mithal ..... B65D 43/0212  
D830,034 S \* 10/2018 Walas ..... D99/5  
D831,482 S \* 10/2018 Meyers ..... D9/447  
D840,226 S \* 2/2019 Furner ..... D9/445  
(Continued)

**OTHER PUBLICATIONS**

OXO Oil & Vinegar Dispenser Set | posted at Amazon.com, posted on Aug. 12,2019, © 1996-2020 Amazon.com, [online], [site visited May 24, 2020]. Available from Internet, <URL: [https://www.amazon.com/OXO-Grips-Precision-Vinegar-Dispenser/dp/ B07WHF7ZP5?th=1](https://www.amazon.com/OXO-Grips-Precision-Vinegar-Dispenser/dp/B07WHF7ZP5?th=1)> (Year: 2019).\*

*Primary Examiner* — Susan E Krakower  
*Assistant Examiner* — Andrew Kerr  
(74) *Attorney, Agent, or Firm* — Rankin, Hill & Clark LLP

(57) **CLAIM**

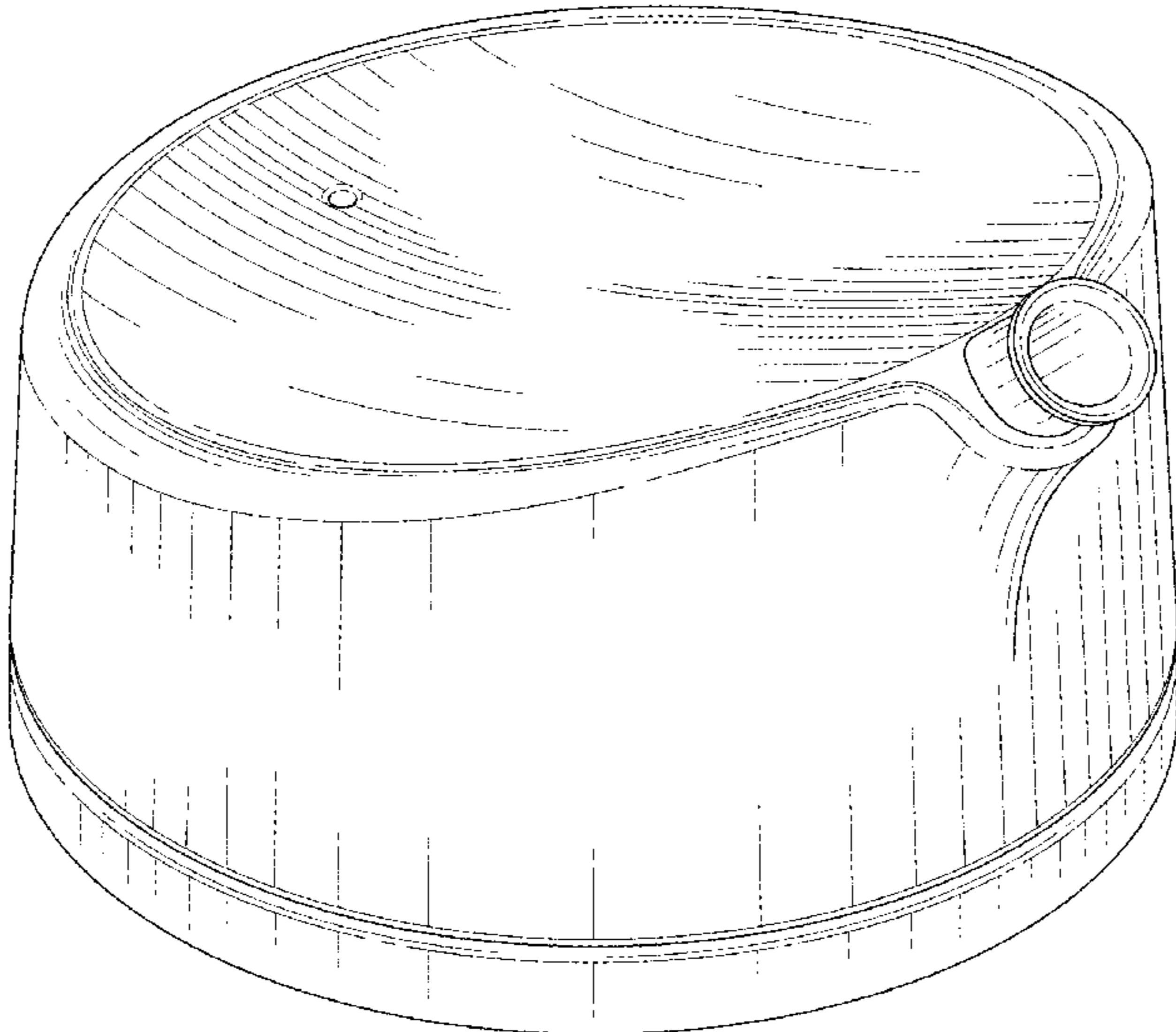
The ornamental design for an oil dispenser, as shown, and described.

**DESCRIPTION**

FIG. 1 is a perspective view of an oil dispenser, showing our new design;  
FIG. 2 is a front elevation view thereof;  
FIG. 3 is a rear elevation view thereof;  
FIG. 4 is a right side elevation view thereof, the left side elevation view being a mirror image thereof;  
FIG. 5 is a top plan view thereof;  
FIG. 6 is a bottom plan view thereof; and,  
FIG. 7 is a perspective view thereof in a use environment.  
The broken lines in the drawings represent portions of the oil dispenser that form no part of the claimed design.

**1 Claim, 7 Drawing Sheets**

(56) **References Cited**  
U.S. PATENT DOCUMENTS  
D262,855 S \* 2/1982 Morin ..... D7/317  
D413,514 S \* 9/1999 Pericard ..... D9/445  
D422,914 S \* 4/2000 Lasky ..... D9/451  
D480,924 S \* 10/2003 Yang ..... D7/598  
D503,889 S \* 4/2005 Yeung ..... D9/529  
D532,302 S \* 11/2006 Moretti ..... D9/448  
D536,969 S \* 2/2007 Geier ..... D9/448  
D541,654 S \* 5/2007 Pietrowski ..... D9/448  
D625,186 S \* 10/2010 Rossignol ..... B65D 43/0212  
D9/448  
D625,997 S \* 10/2010 Lee ..... D9/448  
D628,481 S \* 12/2010 Maddy ..... D9/435  
D666,490 S \* 9/2012 Leon ..... D9/447



(56)

**References Cited**

U.S. PATENT DOCUMENTS

D856,148 S \* 8/2019 Lucas, Jr. .... D9/523  
D862,224 S \* 10/2019 Meyers ..... D9/435

\* cited by examiner

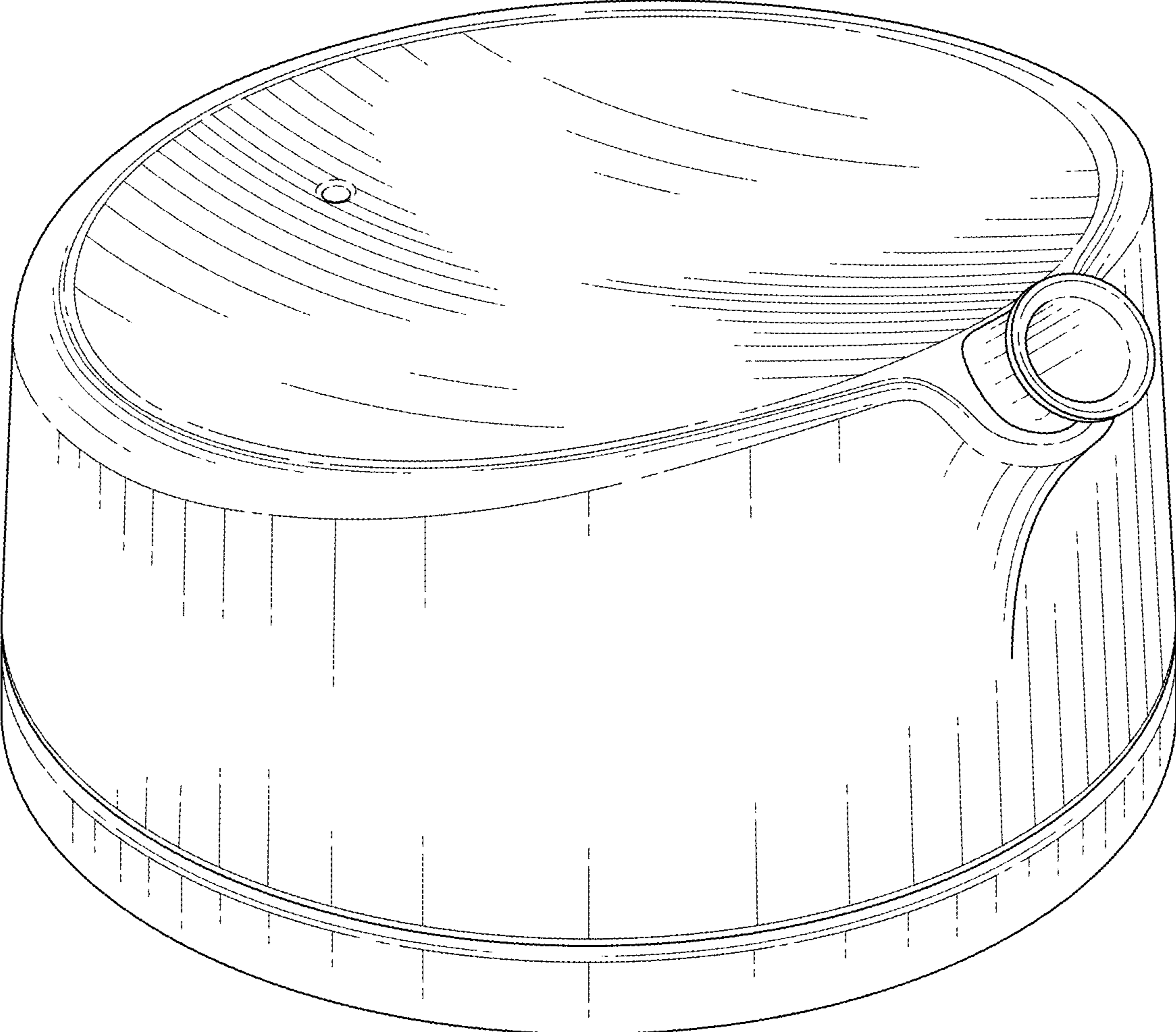


FIG. 1

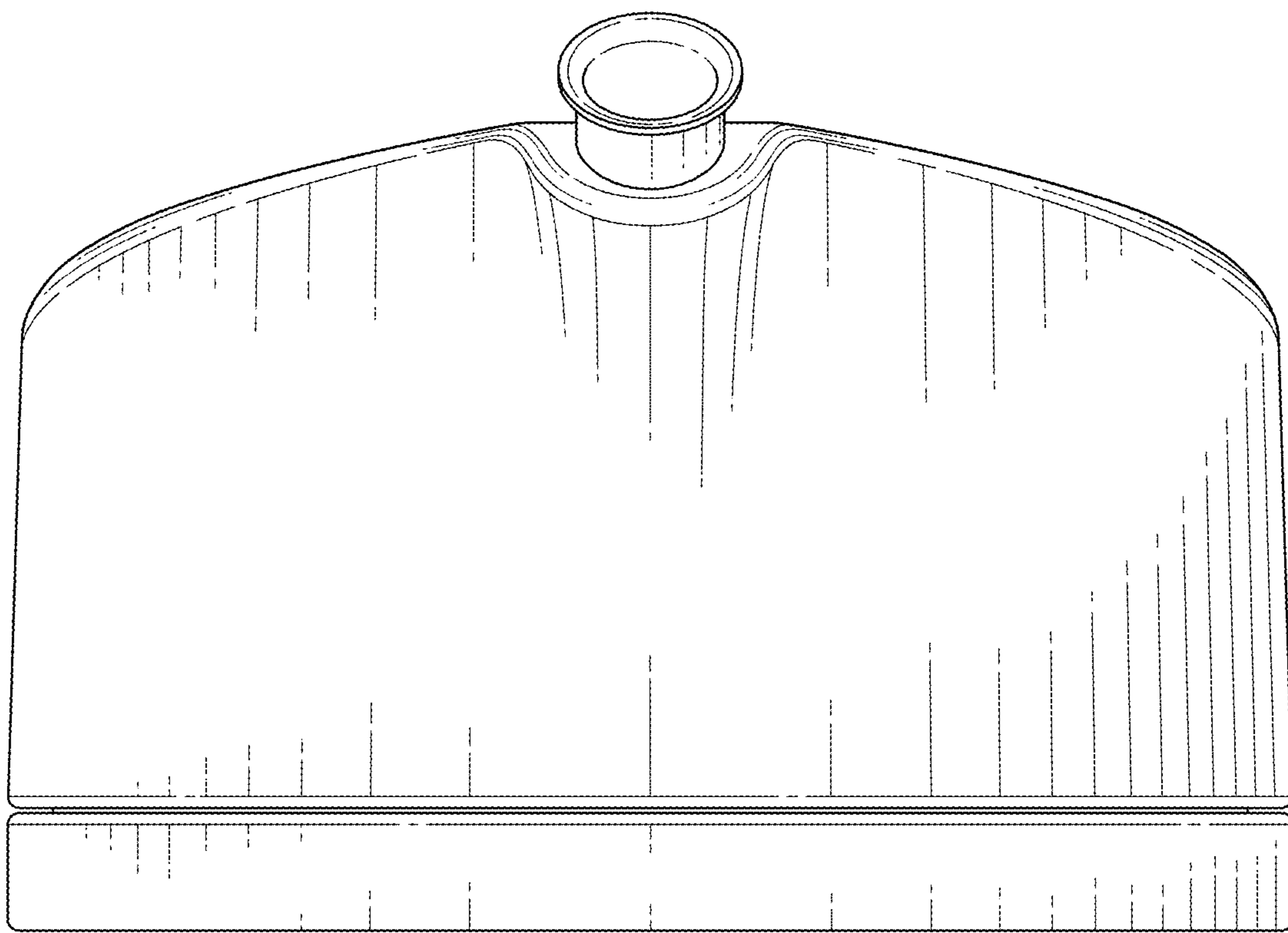


FIG. 2

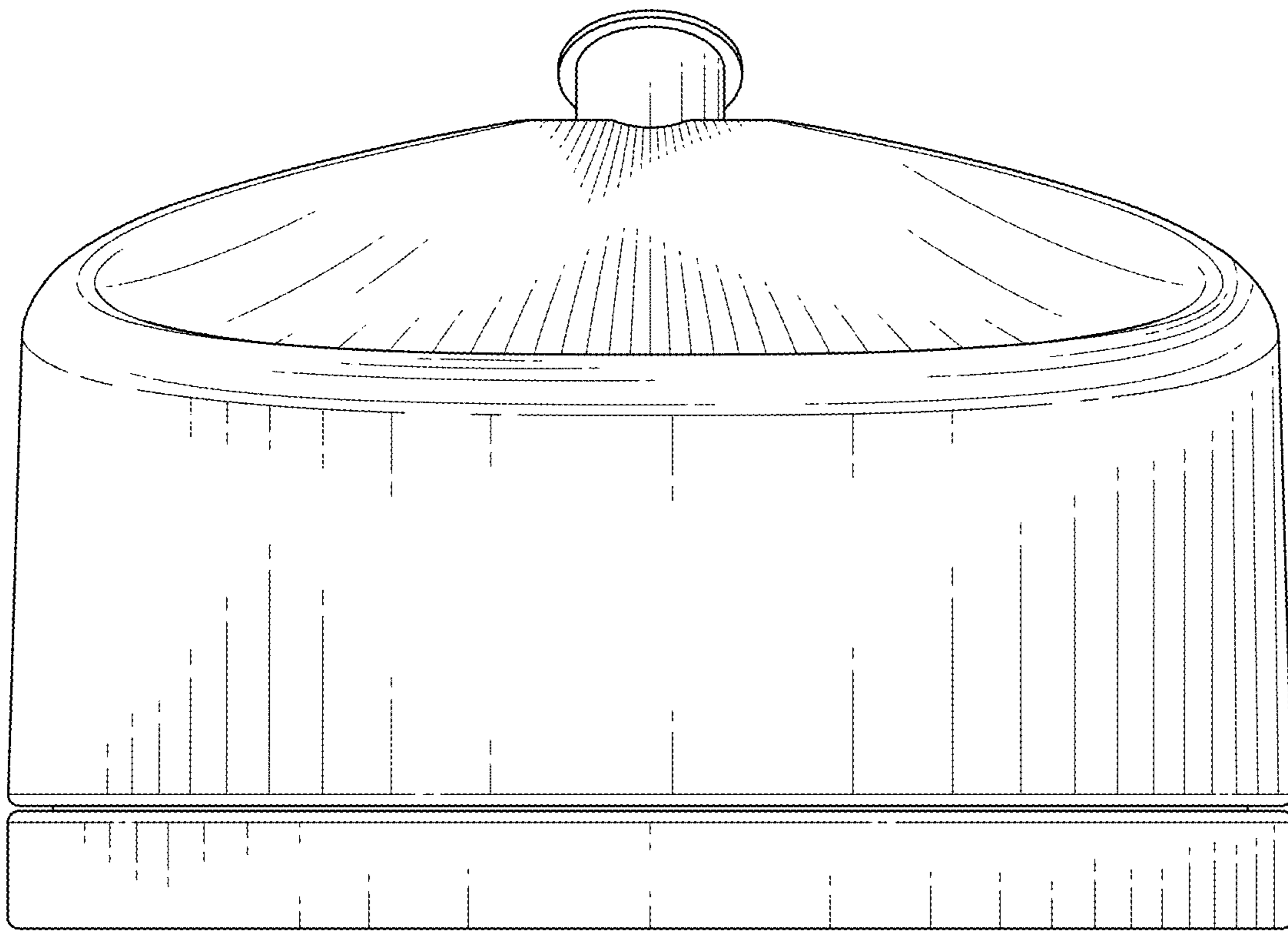


FIG. 3

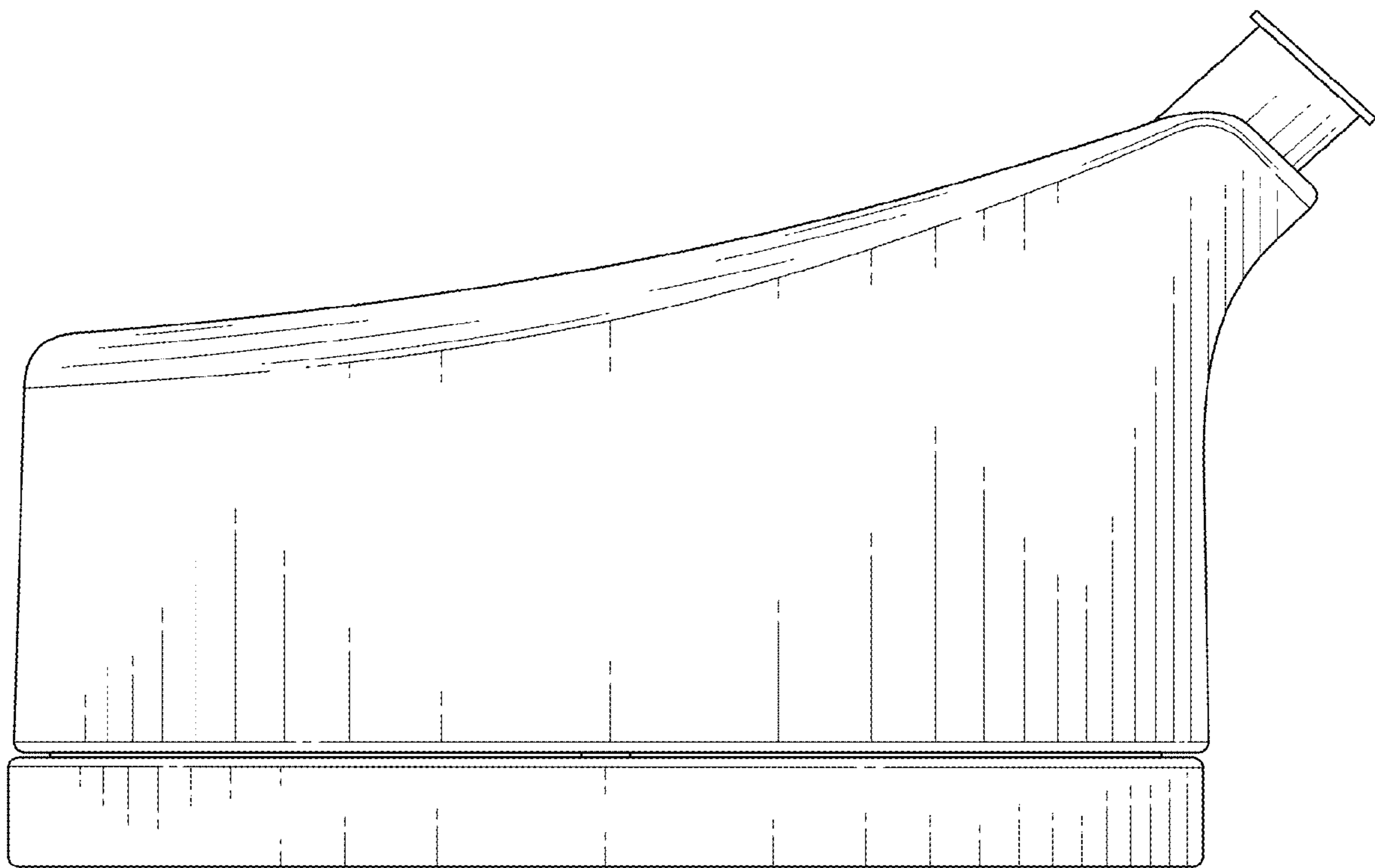


FIG. 4

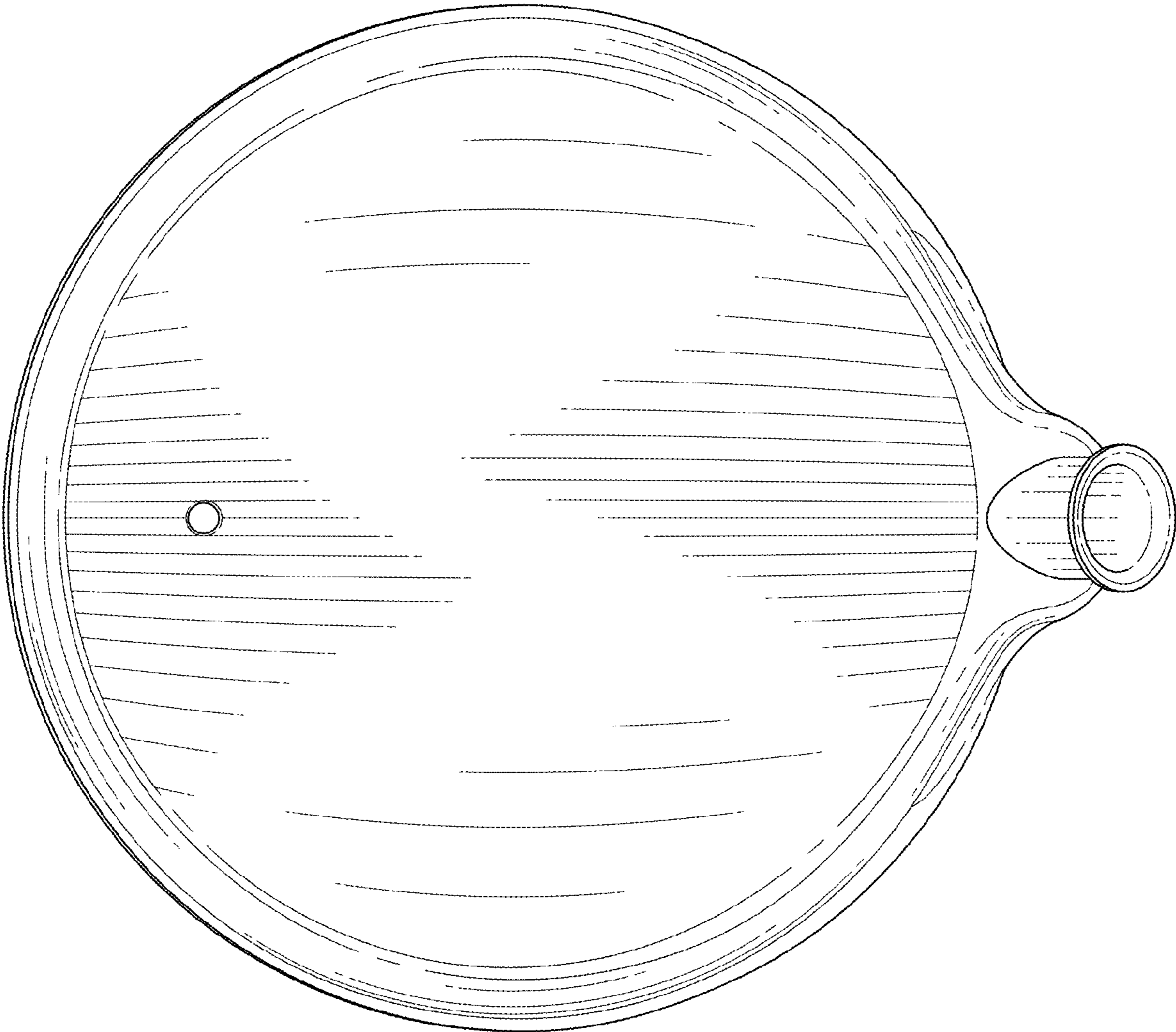


FIG. 5

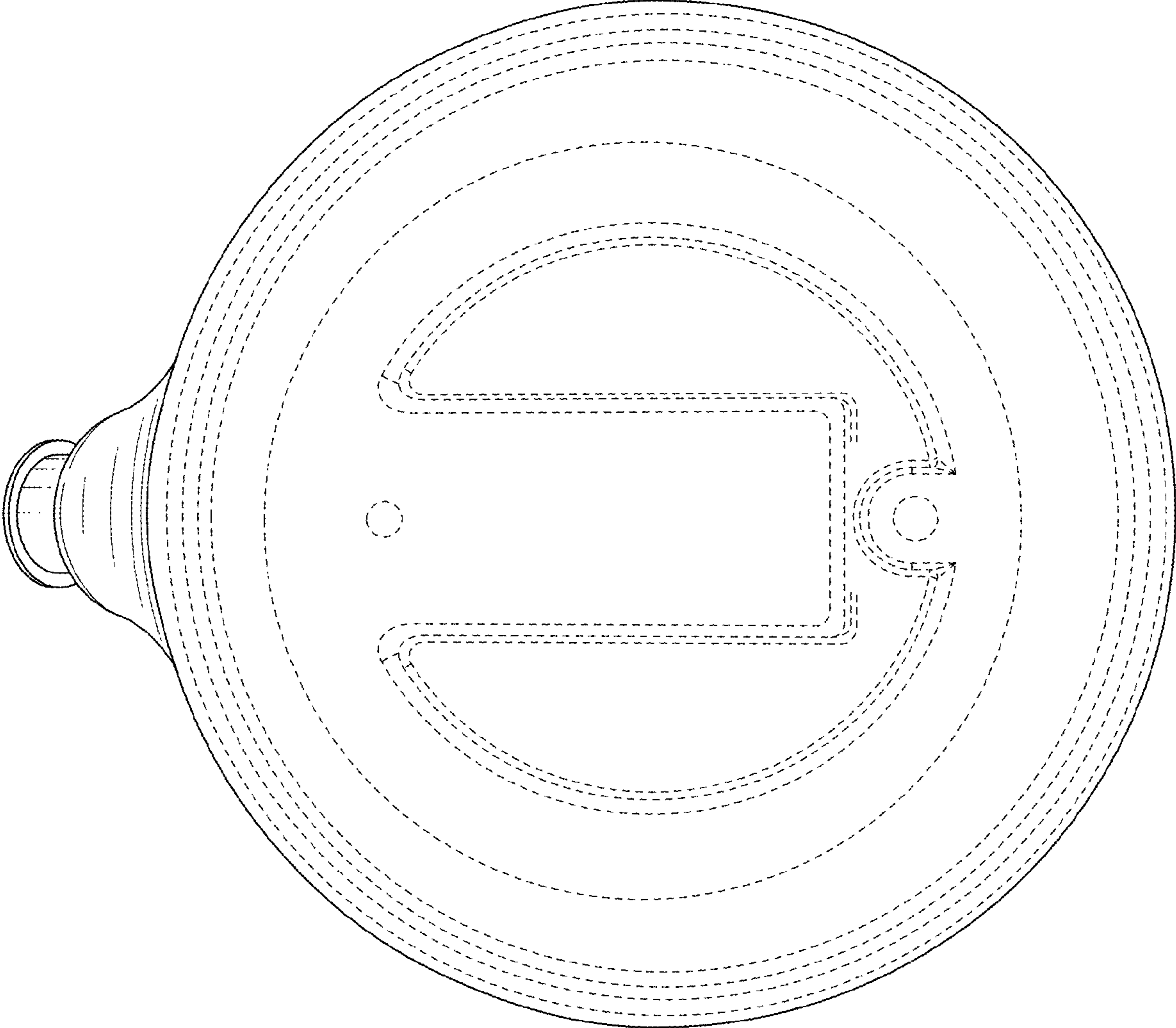


FIG. 6



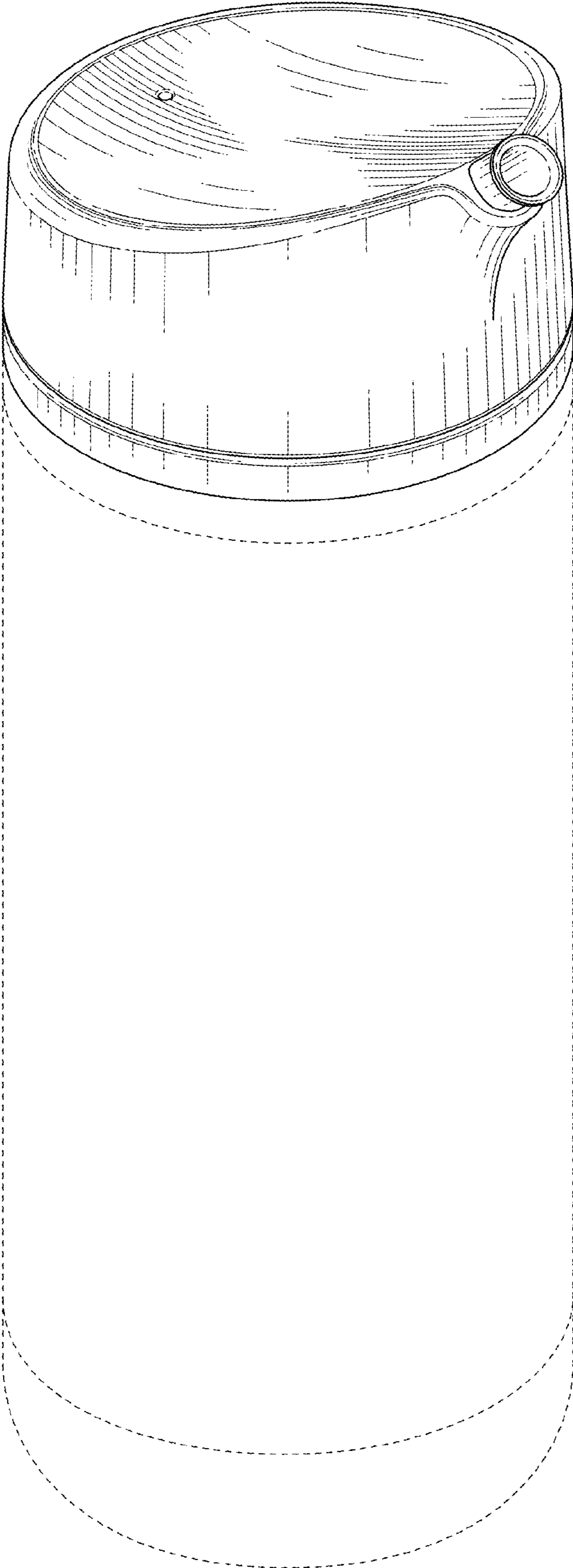


FIG. 7