



US00D898521S

(12) **United States Design Patent**  
**Phillips**

(10) **Patent No.:** **US D898,521 S**

(45) **Date of Patent:** **\*\* Oct. 13, 2020**

(54) **DOUBLE HANDLE GLASSWARE WITH STRAW HOLDER ON THE BOTTOM**

(71) Applicant: **Maggie Phillips**, Daytona Beach Shores, FL (US)

(72) Inventor: **Maggie Phillips**, Daytona Beach Shores, FL (US)

(\*\*) Term: **15 Years**

(21) Appl. No.: **29/703,102**

(22) Filed: **Aug. 23, 2019**

(51) **LOC (12) Cl.** ..... **07-01**

(52) **U.S. Cl.**  
USPC ..... **D7/523**; D7/536; D7/534

(58) **Field of Classification Search**  
USPC ..... D7/507, 509, 510, 511, 523, 532, 533, D7/536, 608, 601, 602, 392.1, 396.2, 512, D7/708.1, 619.1, 622, 633; D9/503, 504; D24/197, 199; D3/202  
CPC ..... A47G 19/22; A47G 19/2288; A47G 19/2205; A47G 2019/2277; A45F 3/20; A47J 41/02  
See application file for complete search history.

(56) **References Cited**

**U.S. PATENT DOCUMENTS**

- 1,703,575 A \* 2/1929 De Longchamp ..... A47G 19/22 215/275
- D283,287 S \* 4/1986 Bosteels ..... D11/154
- D314,308 S \* 2/1991 Cogswell ..... D10/2
- D363,854 S \* 11/1995 Katz ..... D10/46.2
- D366,988 S \* 2/1996 Nowak ..... D7/534
- 5,636,522 A \* 6/1997 Ramos ..... A47G 19/2227 62/294
- D383,037 S \* 9/1997 Asberg ..... D7/510

- 5,739,903 A \* 4/1998 Kepner ..... A01K 63/006 206/217
- D423,877 S \* 5/2000 Kerr ..... D7/503
- D519,322 S \* 4/2006 Hutton ..... D11/143
- D570,158 S \* 6/2008 Massi ..... D7/509
- D588,252 S \* 3/2009 Conway ..... D11/152
- D623,897 S \* 9/2010 Ross ..... D7/523
- D625,954 S \* 10/2010 Mouquet ..... D7/509
- D627,196 S \* 11/2010 George ..... D7/510
- D630,038 S \* 1/2011 Englert ..... D7/305
- D637,456 S \* 5/2011 Creech ..... D7/523
- D754,478 S \* 4/2016 Kushner ..... D7/507
- D760,544 S \* 7/2016 Anzalone ..... D7/515
- D840,755 S \* 2/2019 Kehoe ..... D7/523
- 2015/0102029 A1 \* 4/2015 Bargiel ..... A47G 19/2222 220/23.89

\* cited by examiner

*Primary Examiner* — Jae Liang

(57) **CLAIM**

The ornamental design for a double handle glassware with straw holder on the bottom, as shown and described.

**DESCRIPTION**

FIG. 1 is a top front perspective view of a double handle glassware with straw holder on the bottom showing my new design;

FIG. 2 is a bottom rear perspective view thereof;

FIG. 3 is a front elevated view thereof;

FIG. 4 is a rear elevated view thereof;

FIG. 5 is a top plan view thereof;

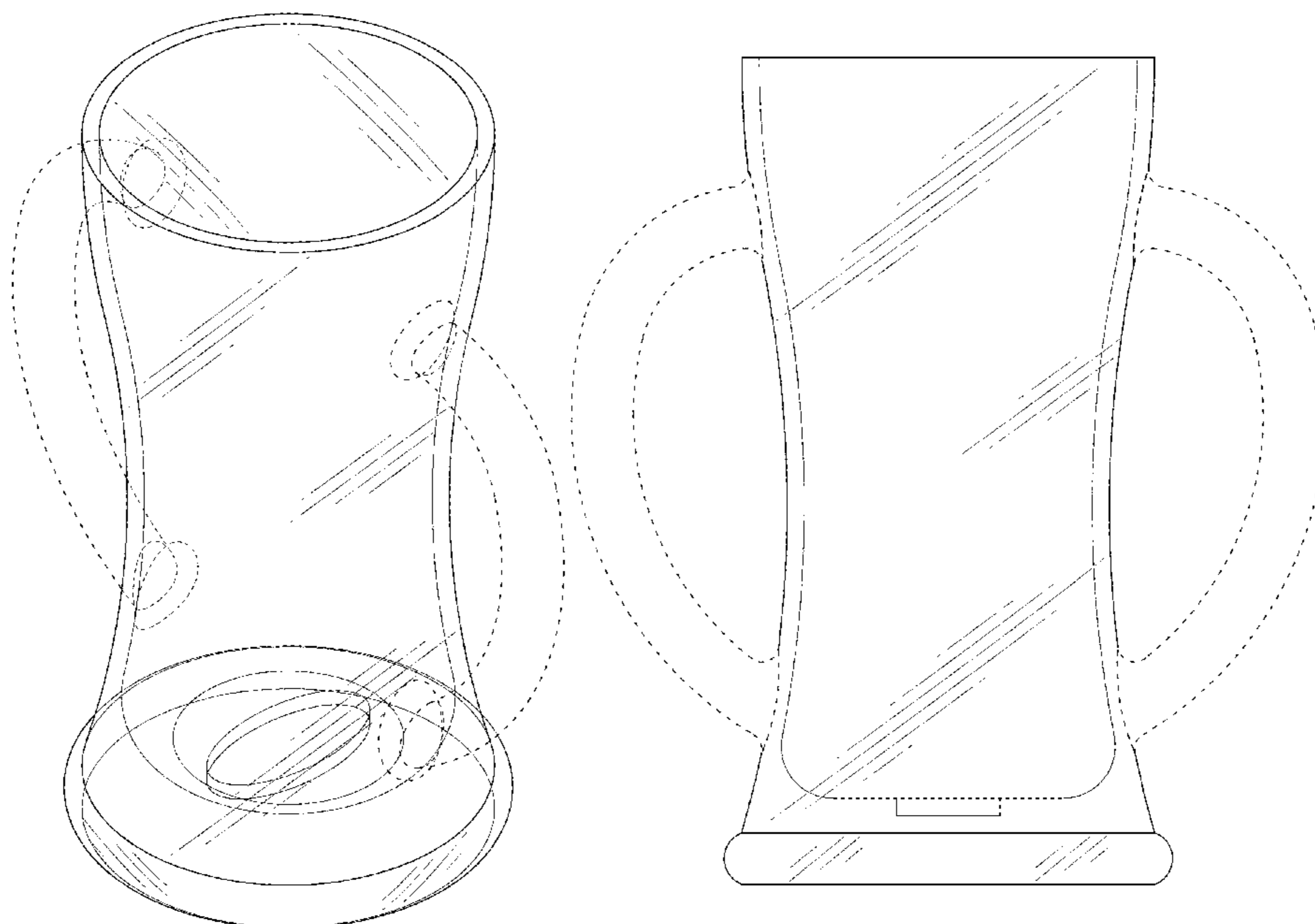
FIG. 6 is a bottom plan view thereof;

FIG. 7 is a right elevated view thereof; and,

FIG. 8 is a left elevated view thereof.

The broken lines showing of handles in FIG. 1-8 are included for the purpose of showing environmental structure and form no part of the claimed design.

**1 Claim, 8 Drawing Sheets**



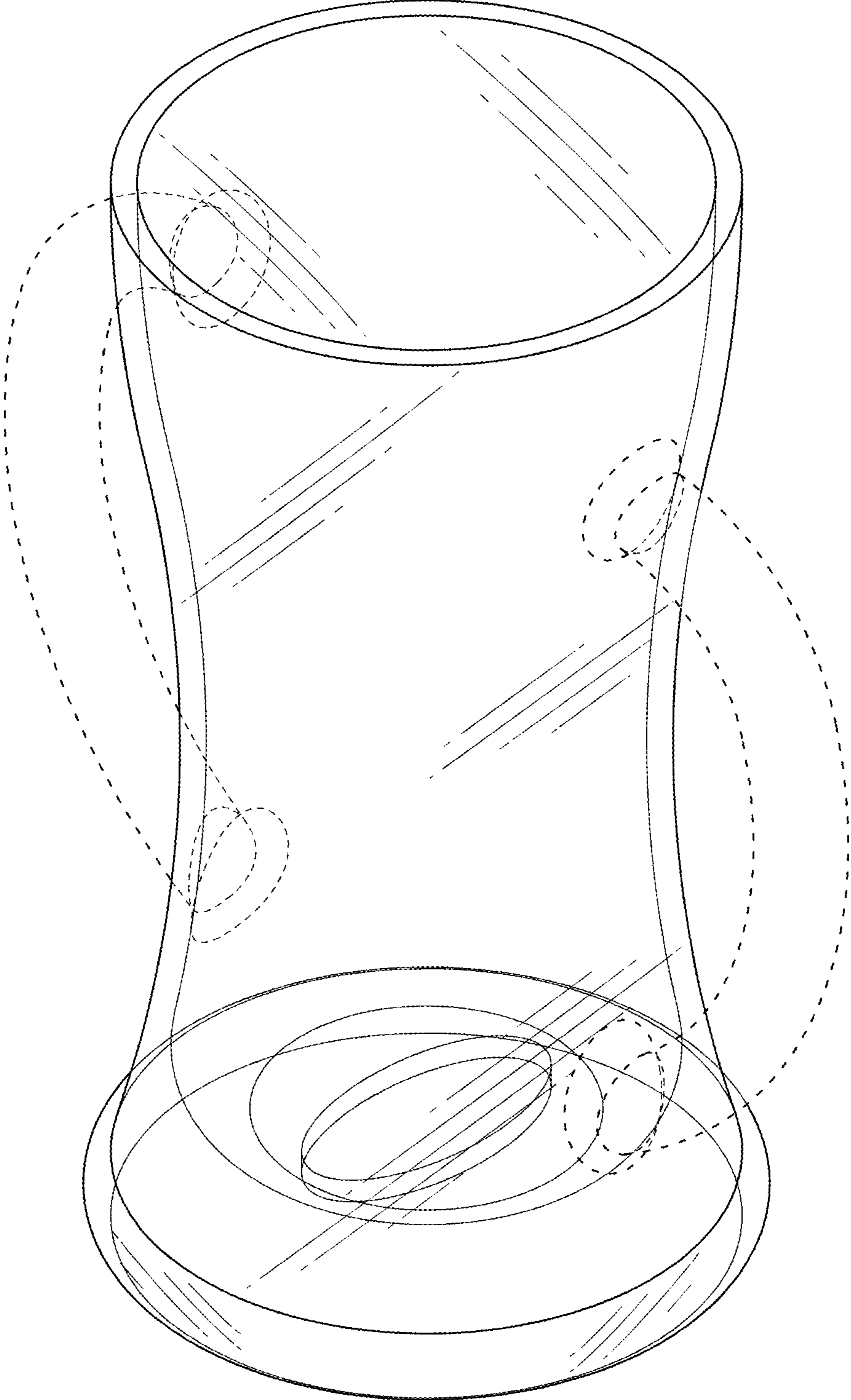


FIG. 1

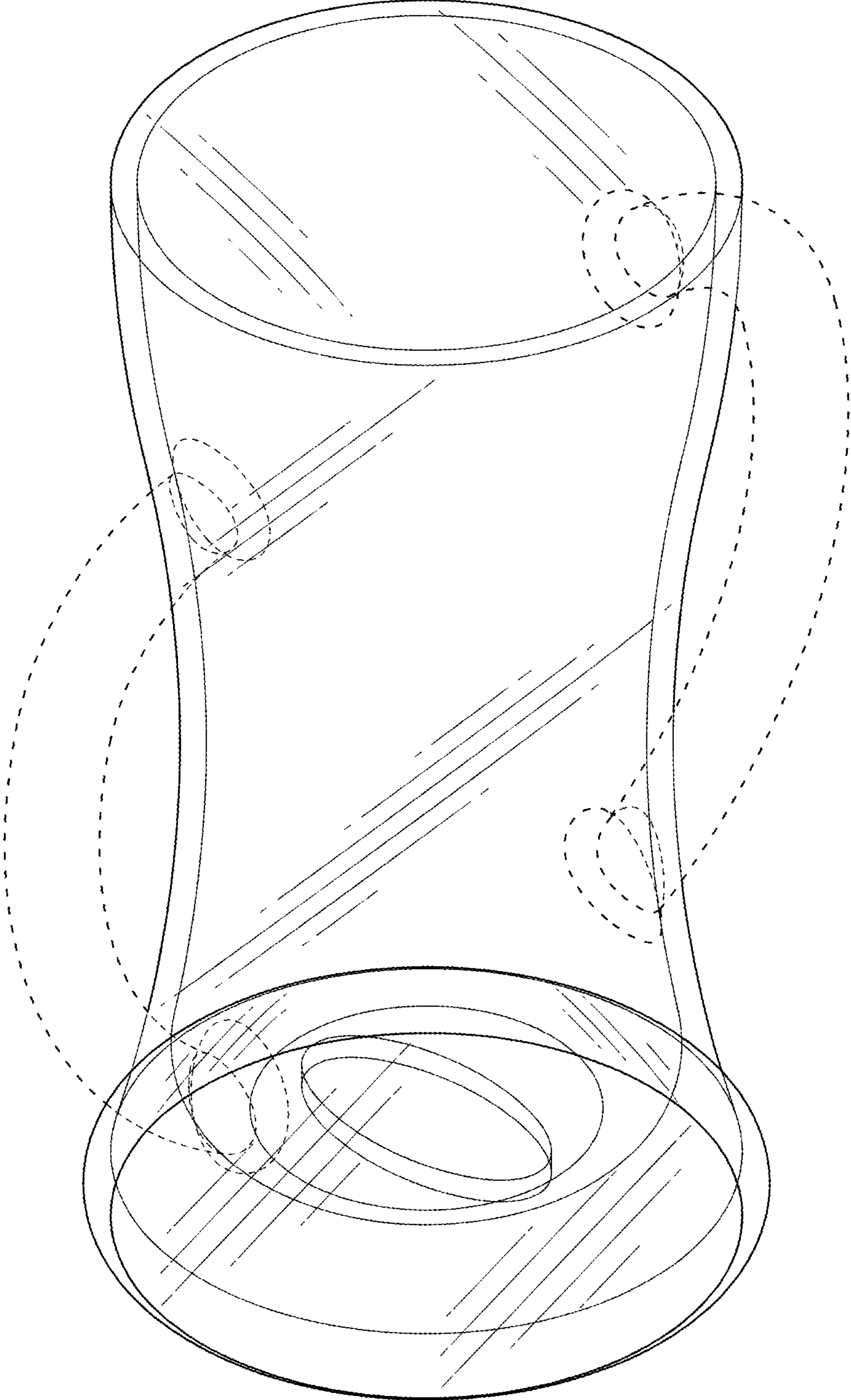


FIG. 2

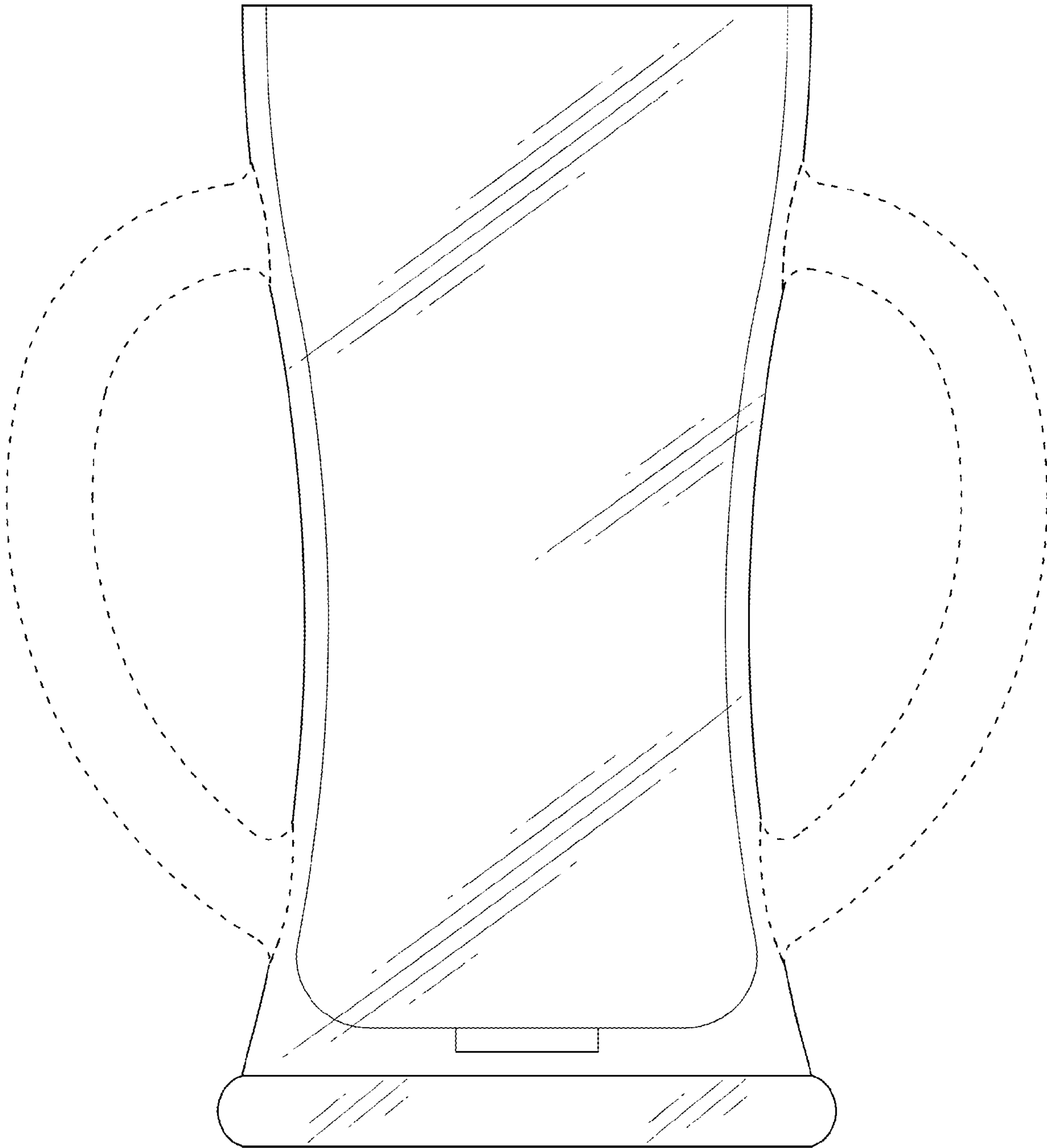


FIG. 3



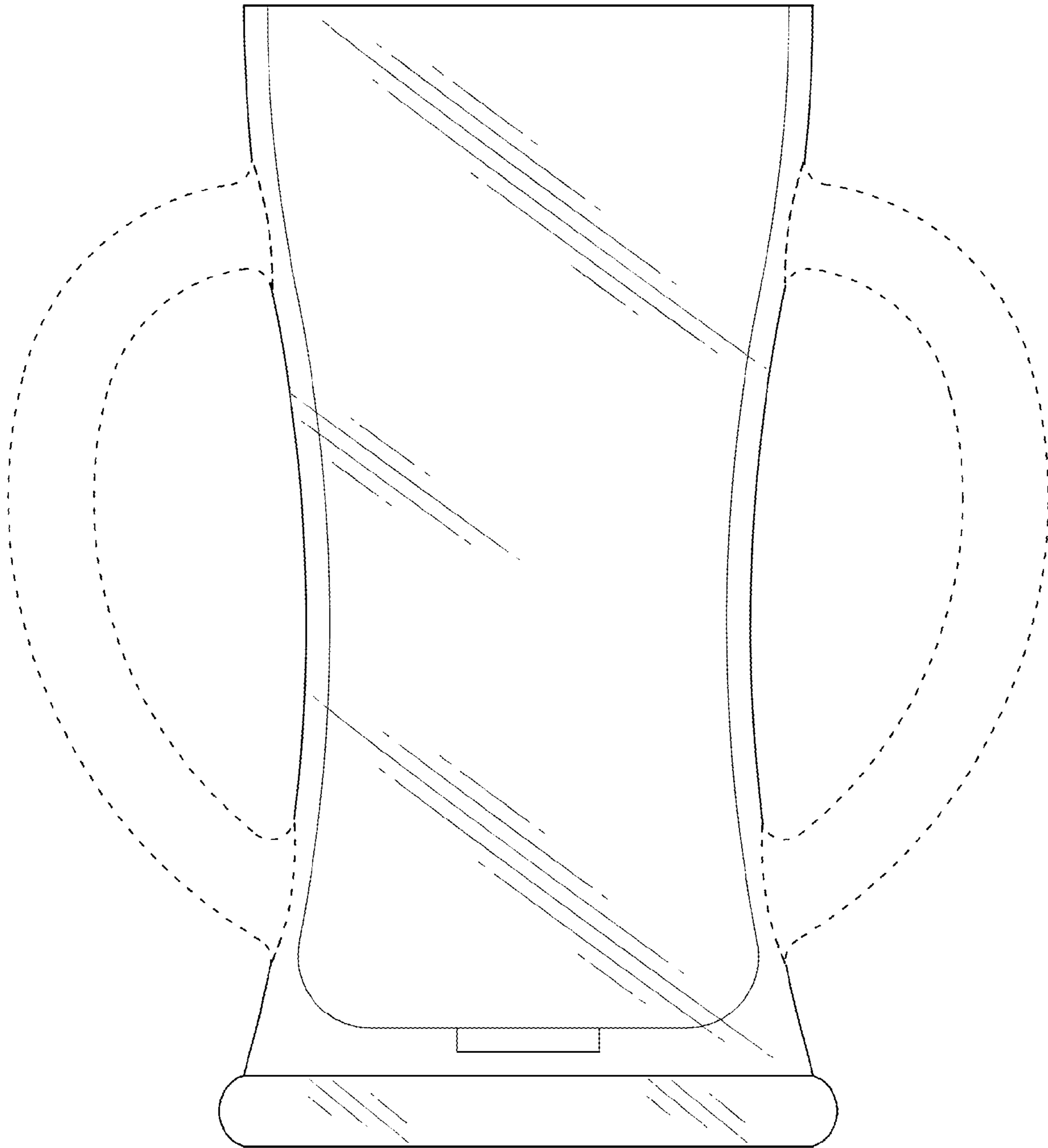


FIG. 4

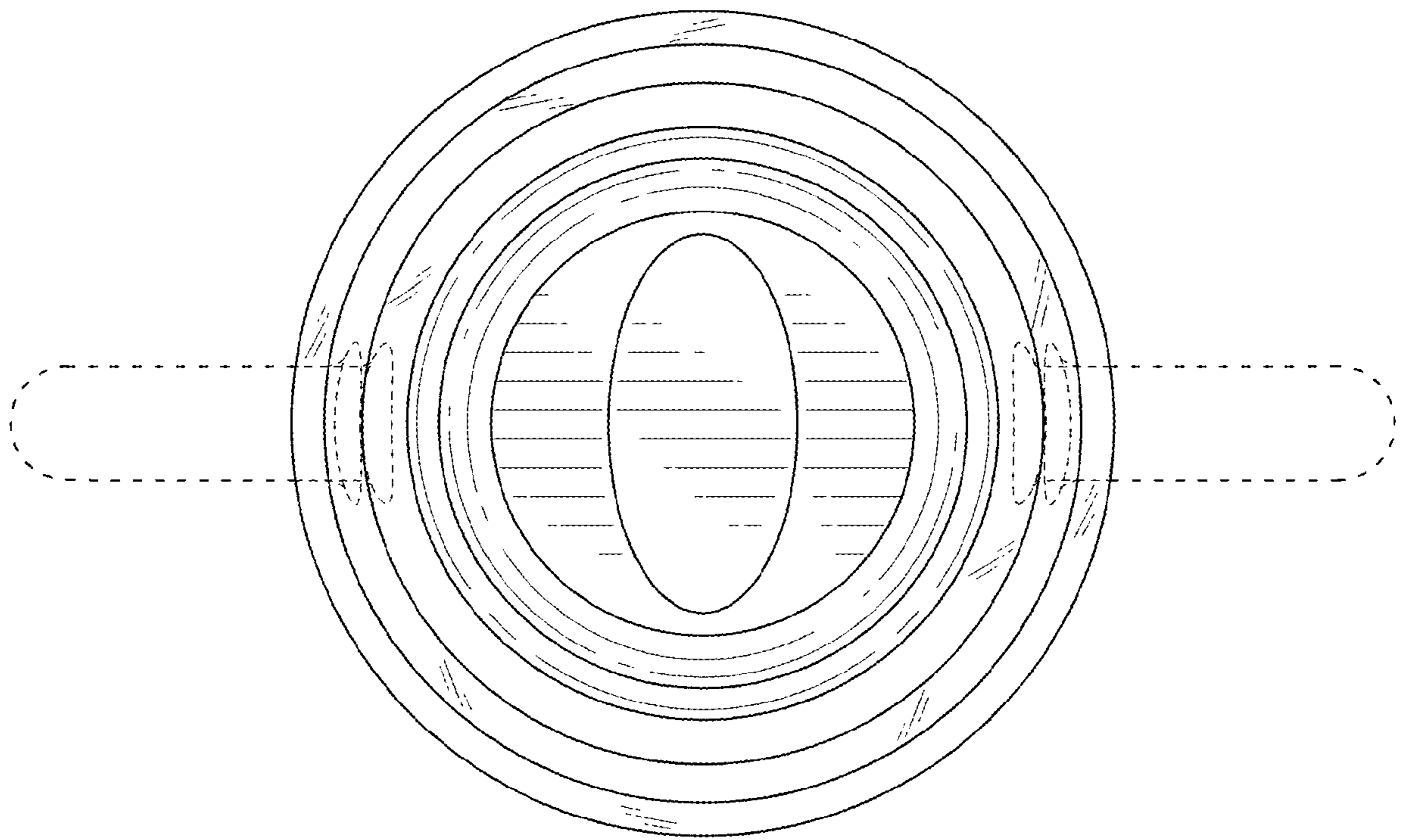


FIG. 5

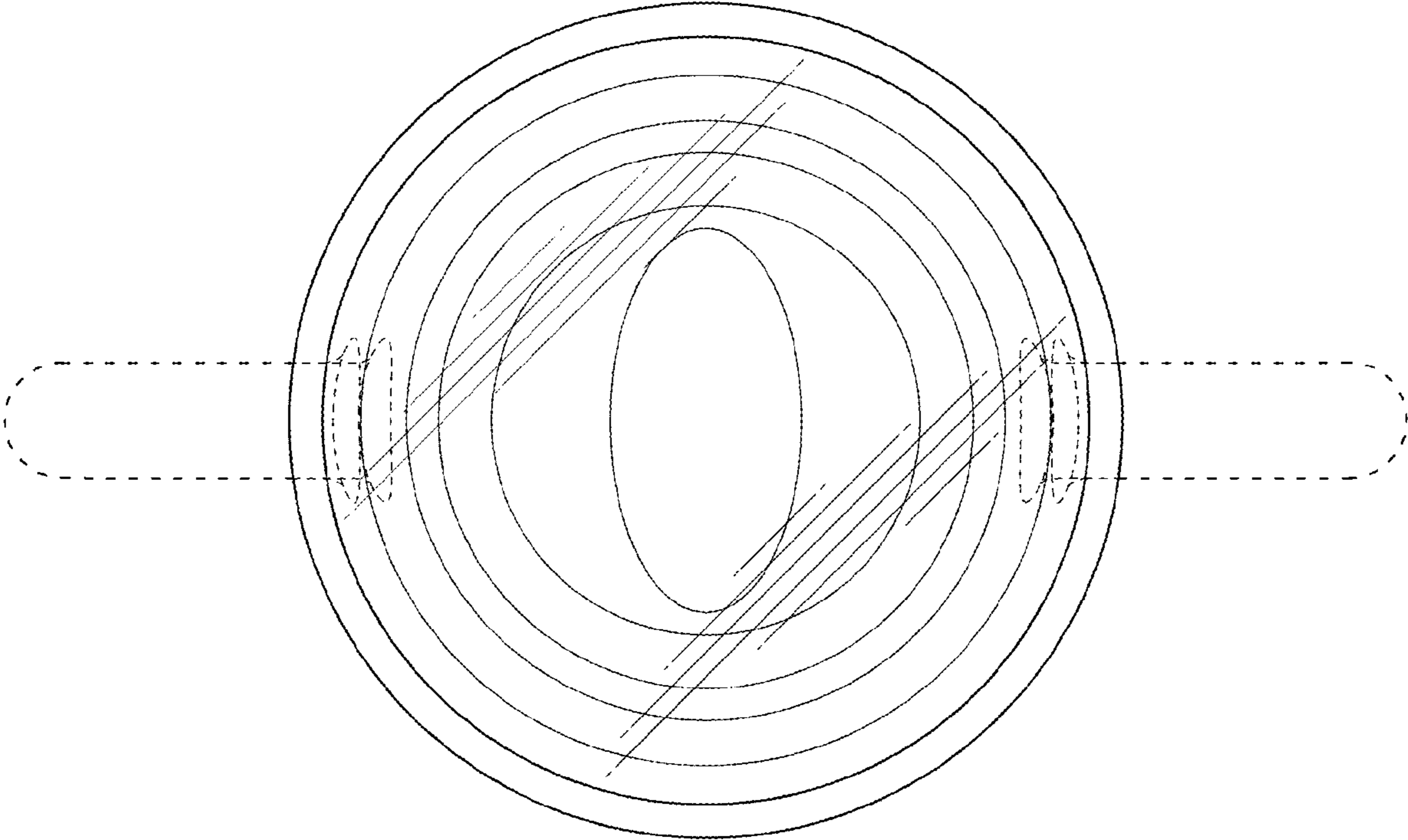


FIG. 6

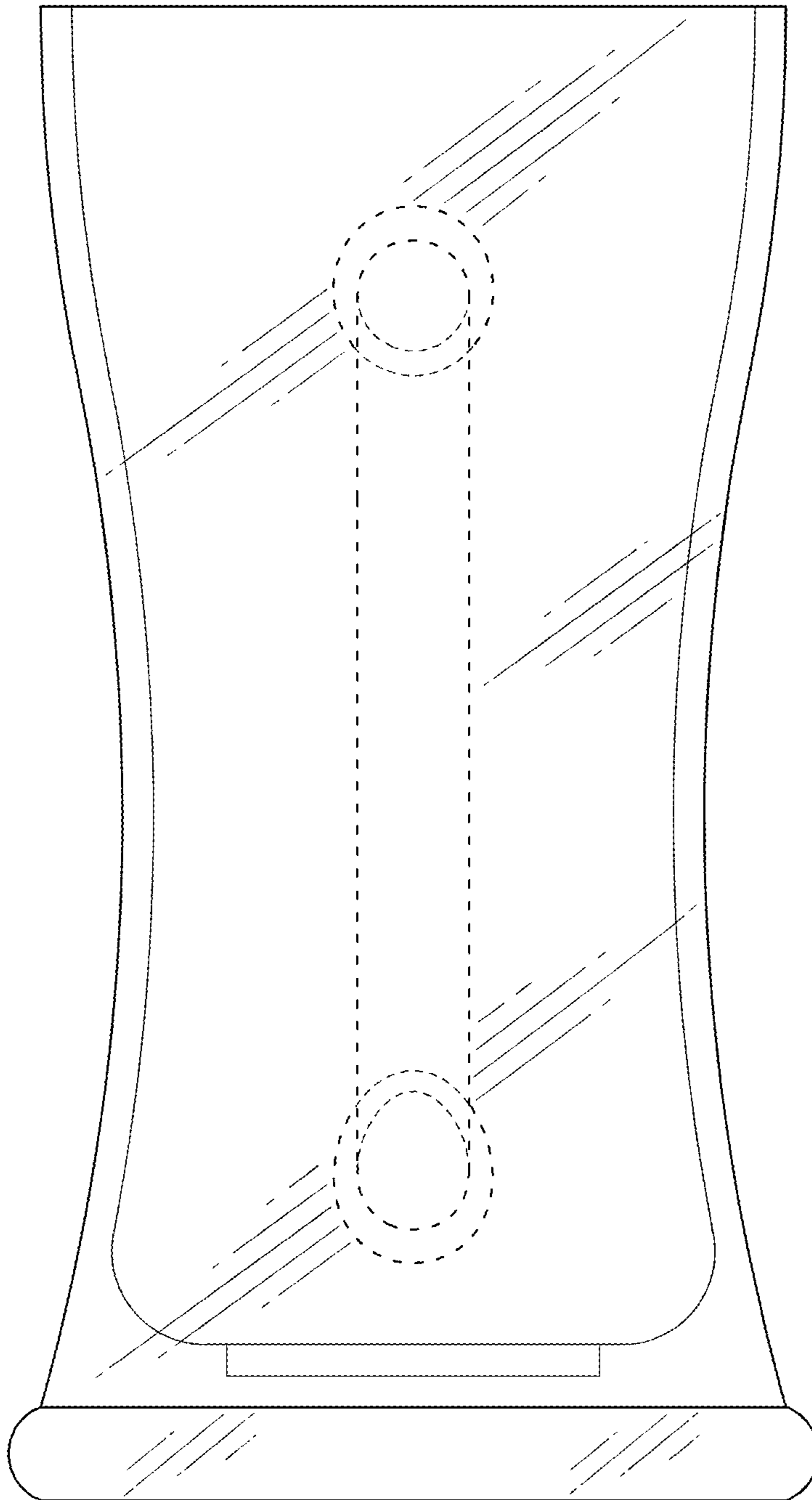


FIG. 7



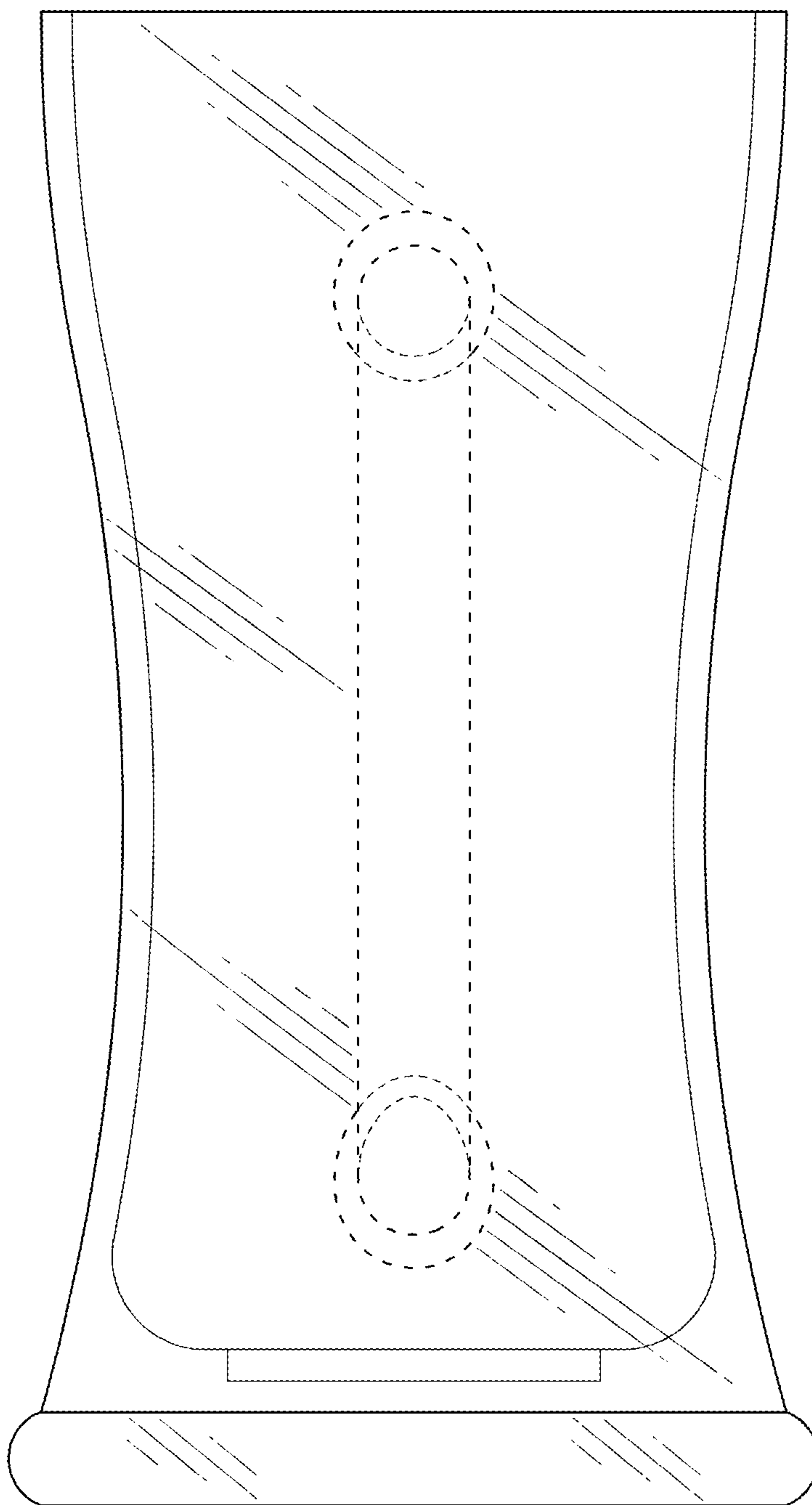


FIG. 8