



US00D898519S

(12) **United States Design Patent**
Renz

(10) **Patent No.:** **US D898,519 S**
(45) **Date of Patent:** **** Oct. 13, 2020**

- (54) **CUP ASSEMBLY**
- (71) Applicant: **ANGELCARE FEEDING USA, LLC**,
Newark, DE (US)
- (72) Inventor: **Charles Renz**, Briarcliff Manor, NY
(US)
- (73) Assignee: **ANGELCARE FEEDING USA, LLC**,
Newark, DE (US)

- 3,223,127 A * 12/1965 Sidebottom A47L 19/02
141/364
- D259,757 S * 7/1981 Perrin D7/509
- D309,553 S * 7/1990 Daenen D7/591
- D353,973 S * 1/1995 Adado D7/510
- D359,417 S * 6/1995 Chen D7/510
- 5,820,016 A * 10/1998 Stropkay B65D 1/265
229/403
- D421,877 S * 3/2000 La Torre D7/510

(Continued)

- (**) Term: **15 Years**
- (21) Appl. No.: **29/682,852**
- (22) Filed: **Mar. 8, 2019**

Related U.S. Application Data

- (63) Continuation of application No.
PCT/US2018/044287, filed on Jul. 30, 2018.
- (51) **LOC (12) Cl.** **07-01**
- (52) **U.S. Cl.**
USPC **D7/523; D7/511; D7/532**
- (58) **Field of Classification Search**
USPC D7/507, 509, 510, 511, 532, 523, 300.1,
D7/300.2, 512, 529, 530, 531, 533, 536;
D3/202, 303; D99/25; D9/567, 434,
D9/568, 519
CPC A47G 19/22; A47G 19/2277; A47G
19/2205; A47G 19/2222; A47G 19/2211;
A47J 41/0077; A45F 3/20; A45F
2003/205
See application file for complete search history.

(56) **References Cited**

U.S. PATENT DOCUMENTS

- 2,012,113 A * 8/1935 Thompson A47G 19/2205
215/363
- D114,690 S * 5/1939 Spence D7/523
- 2,861,716 A * 11/1958 Kramer B65D 1/265
220/703
- D189,586 S * 1/1961 Nalle D7/531

OTHER PUBLICATIONS

https://www.amazon.com/Munchkin-Miracle-Stainless-Steel-Sippy/dp/B01N0U4G45/ref=sr_1_3?dchild=1&keywords=no%2Bspill%2Bbaby%2Bcup&qid=1591129252&s=home-garden&sr=1-3&th=1 (Year: 2017).*

(Continued)

Primary Examiner — Jae Liang
(74) *Attorney, Agent, or Firm* — Norton Rose Fulbright
US LLP

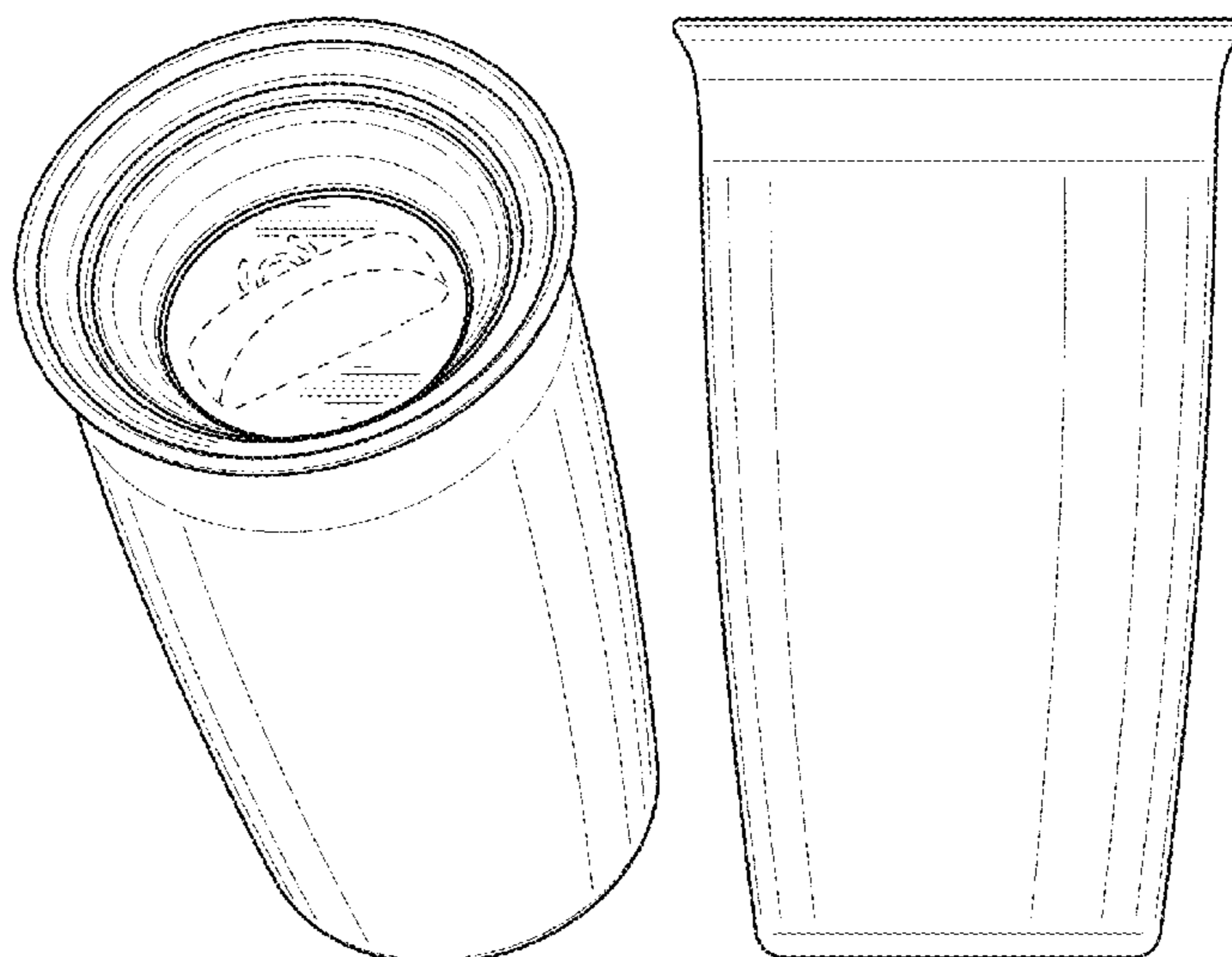
(57) **CLAIM**

I claim the ornamental design for a cup assembly, as shown and described.

DESCRIPTION

FIG. 1 is a front perspective view of a cup assembly, showing my new design;
FIG. 2 is a bottom perspective view thereof;
FIG. 3 is a top view thereof;
FIG. 4 is a bottom view thereof;
FIG. 5 is a left side elevation view thereof;
FIG. 6 is a right side elevation view thereof;
FIG. 7 is a front elevation view thereof; and,
FIG. 8 is a rear elevation view thereof.
The broken lines in the figures depict environmental subject matter only and form no part of the claimed design.

1 Claim, 3 Drawing Sheets



(56)

References Cited

U.S. PATENT DOCUMENTS

6,202,877 B1 * 3/2001 La Torre A47G 19/2272
 220/254.1
 D451,761 S * 12/2001 Poly D7/509
 D460,825 S * 7/2002 Renz D24/199
 D582,212 S * 12/2008 Trombly D7/509
 D603,218 S * 11/2009 Hollinger D7/378
 D622,547 S * 8/2010 Carreno D7/510
 8,272,525 B1 * 9/2012 La Torre A47G 19/2272
 220/254.1
 D711,192 S * 8/2014 Picozza D7/300.1
 8,931,654 B2 * 1/2015 Le Masurier B65D 47/24
 220/203.09
 D721,920 S * 2/2015 Coon D7/510
 D722,829 S * 2/2015 Valderrama D7/523
 D741,658 S * 10/2015 Dunn A47G 19/2272
 D7/510
 9,204,746 B2 * 12/2015 Trudeau A47G 19/2272
 D760,542 S * 7/2016 Vu D7/510
 D764,233 S * 8/2016 Lee D7/509
 D764,234 S * 8/2016 Lee D7/509

D770,852 S * 11/2016 Vu D7/510
 D778,676 S * 2/2017 Maple D7/510
 D783,358 S * 4/2017 Schlegel D7/510
 D784,072 S * 4/2017 Baron D7/392.1
 D790,923 S * 7/2017 Boroski D7/529
 D815,904 S * 4/2018 Lane D7/510
 D820,634 S * 6/2018 Michie D7/392.1
 D820,640 S * 6/2018 Aviaiv D7/529
 D846,948 S * 4/2019 Chin D7/510
 10,464,722 B2 * 11/2019 Cudworth B65D 41/04
 10,493,328 B1 * 12/2019 Depcik A63F 9/001
 2016/0174743 A1 * 6/2016 Childs A47G 19/2288
 220/740
 2018/0050845 A1 * 2/2018 Chin A47G 19/2272
 2018/0099805 A1 * 4/2018 Johnson A47G 19/2272

OTHER PUBLICATIONS

https://www.amazon.com/Munchkin-Miracle-Sippy-Purple-Ounce/dp/B07PXHX5K3/ref=psdc_166801011_t1_B01N0U4G45?th=1 (Year: 2015).*

* cited by examiner

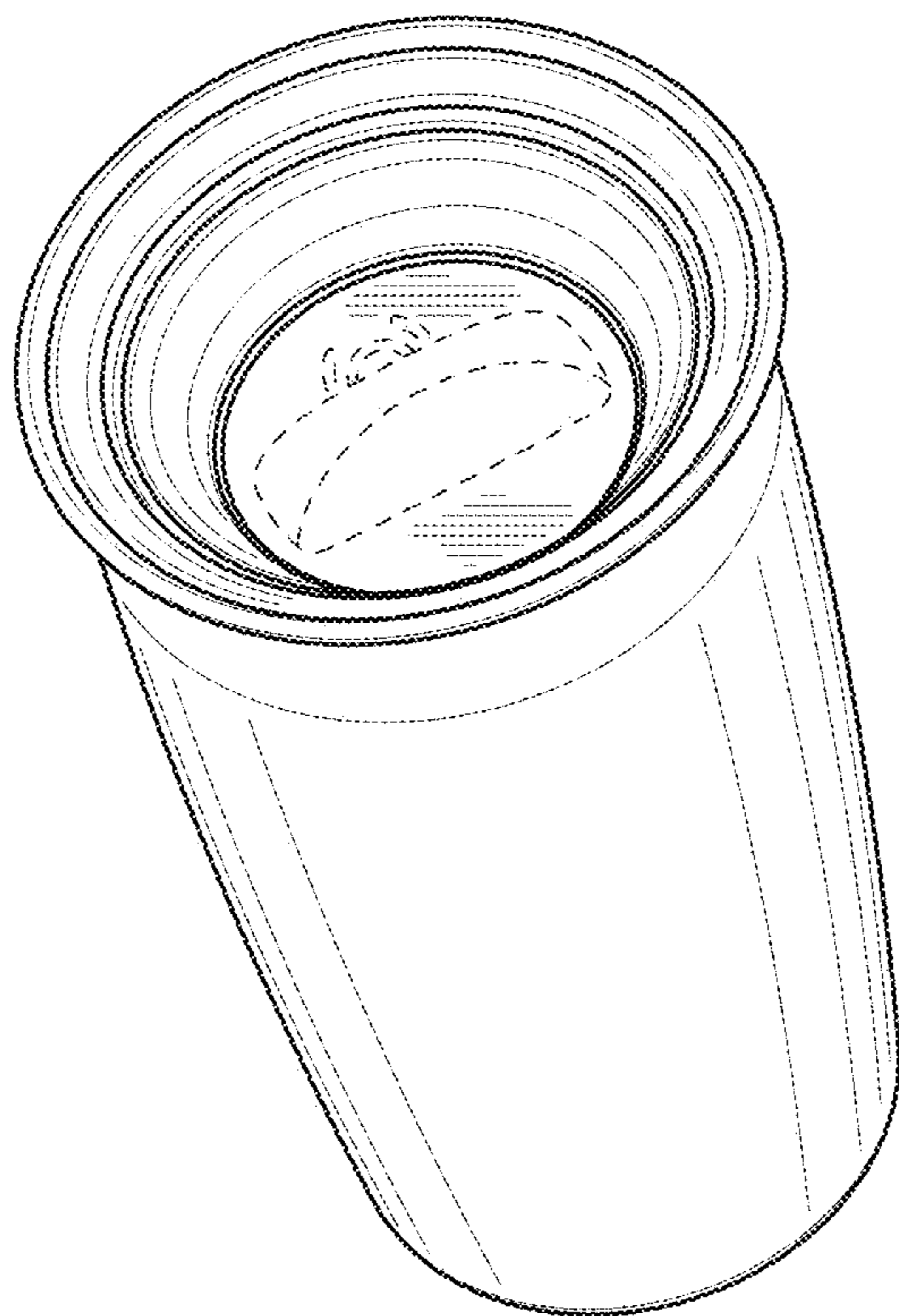


FIG. 1

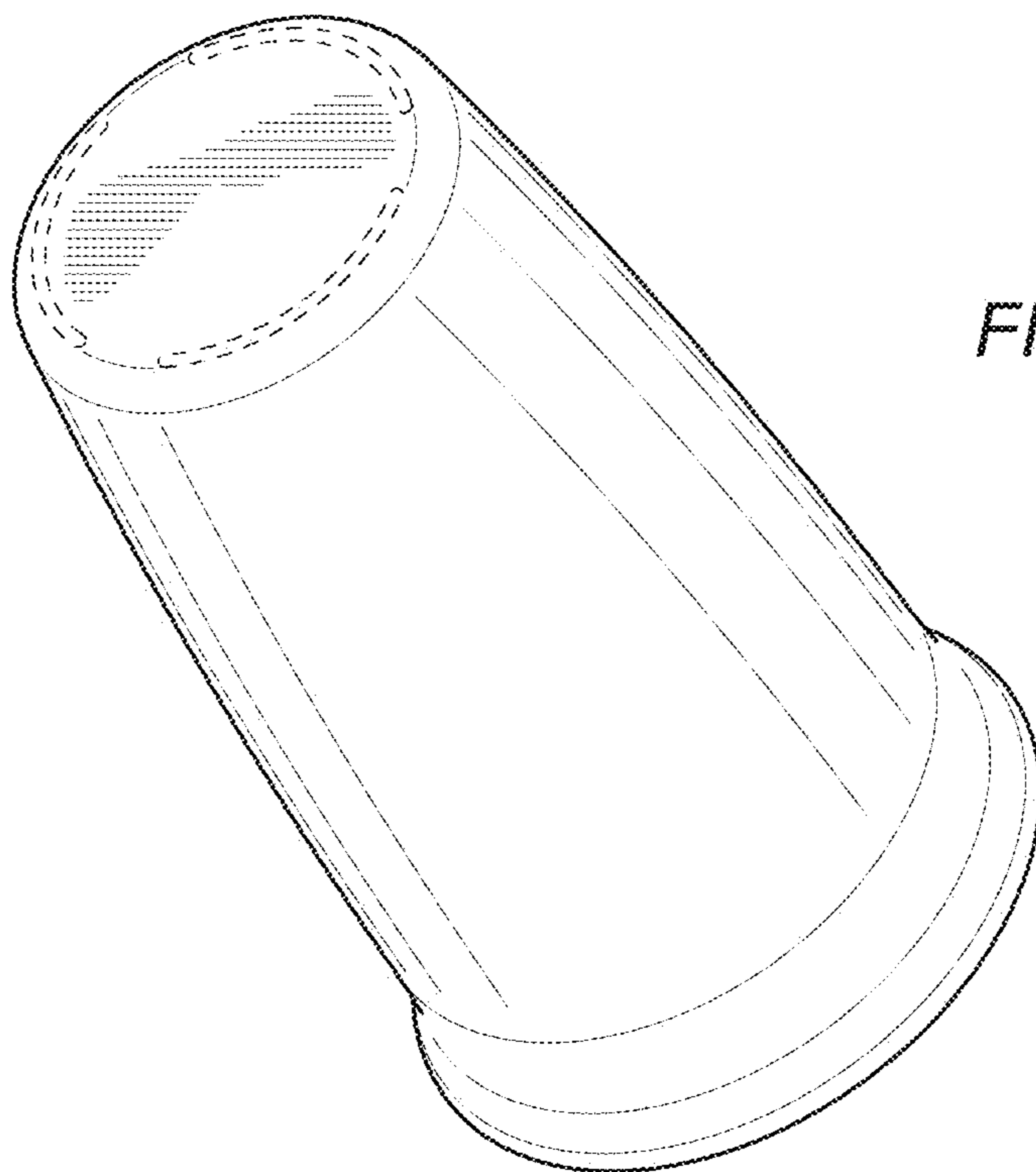


FIG. 2

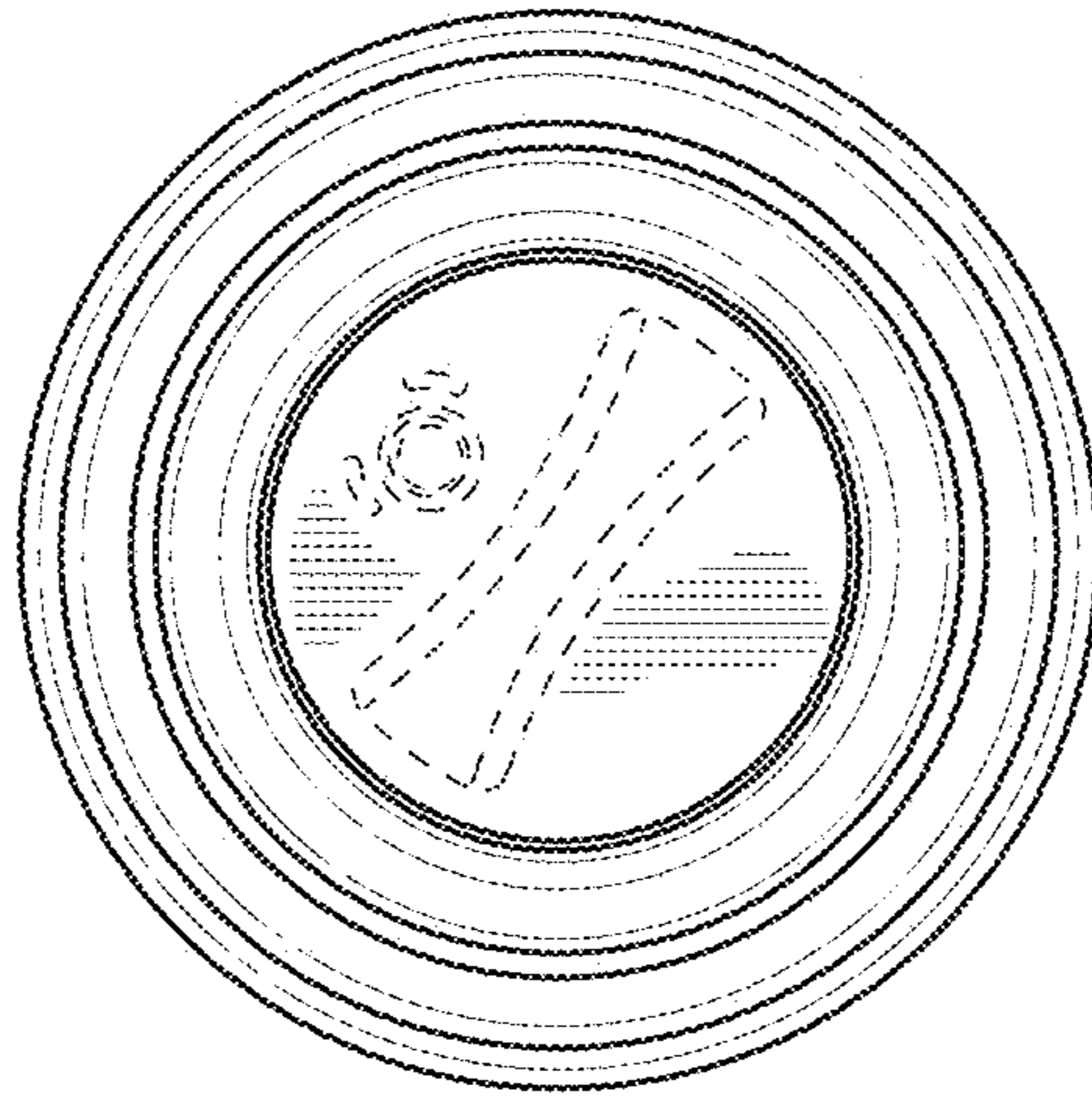


FIG. 3

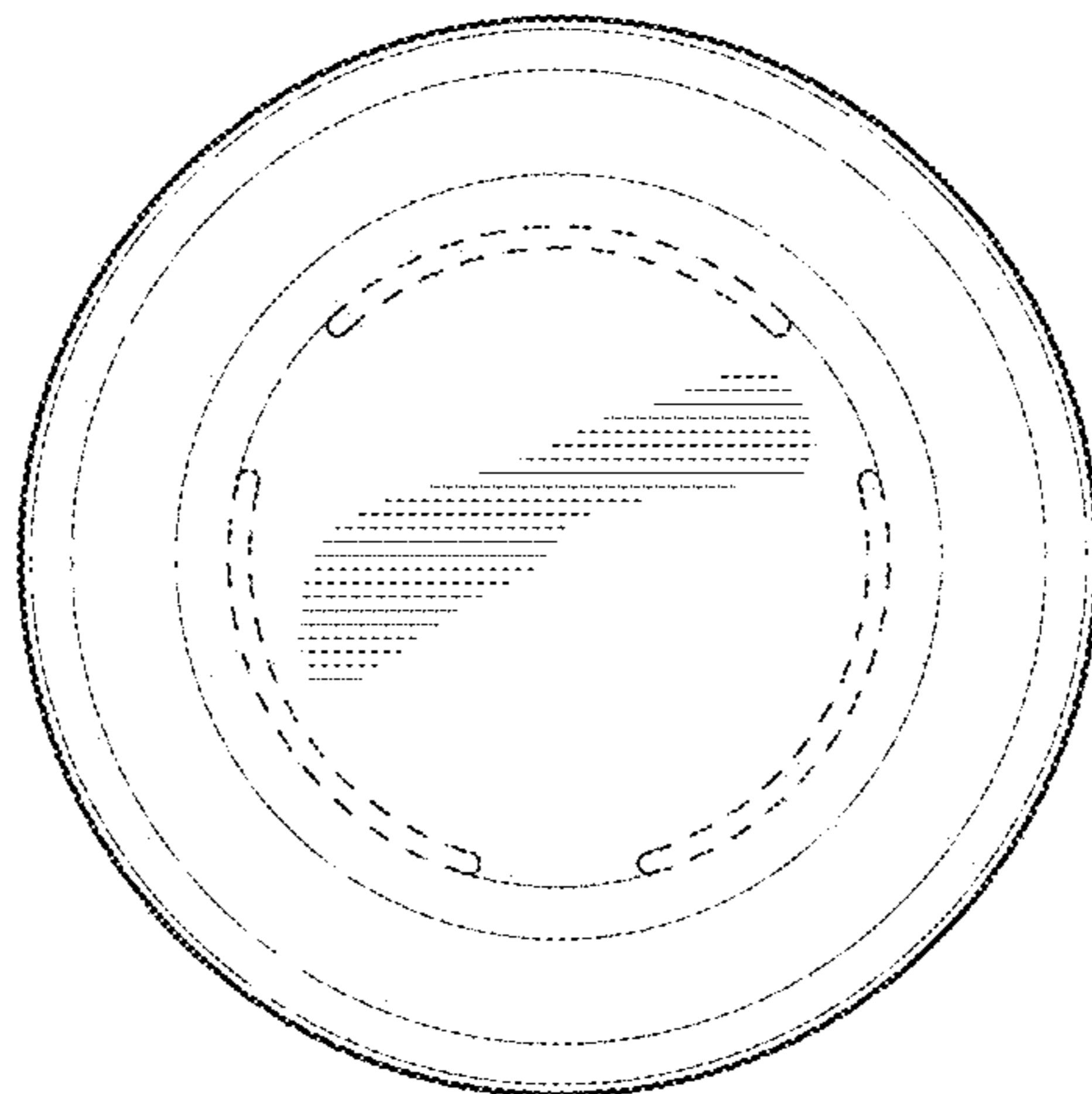


FIG. 4

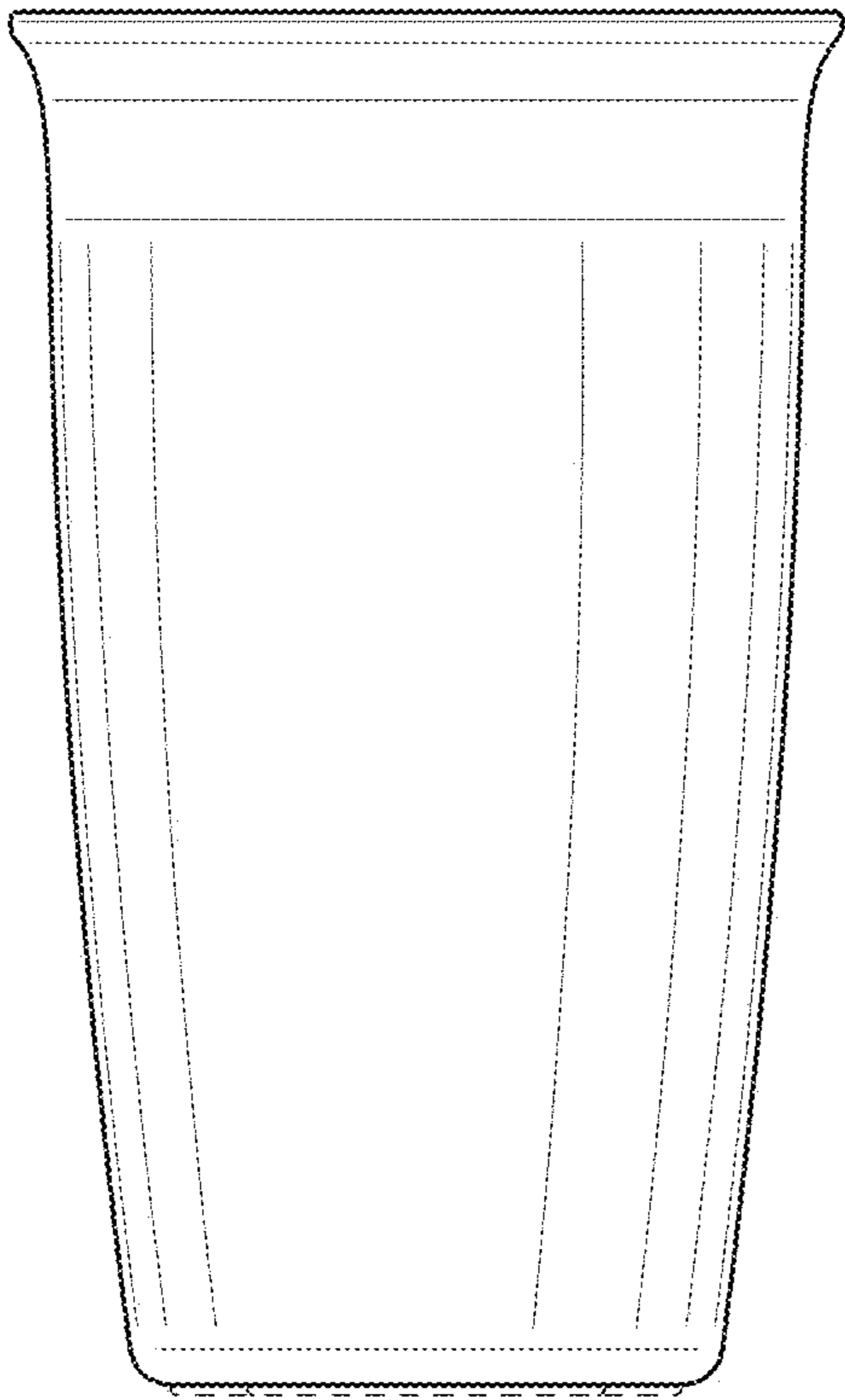


FIG. 5

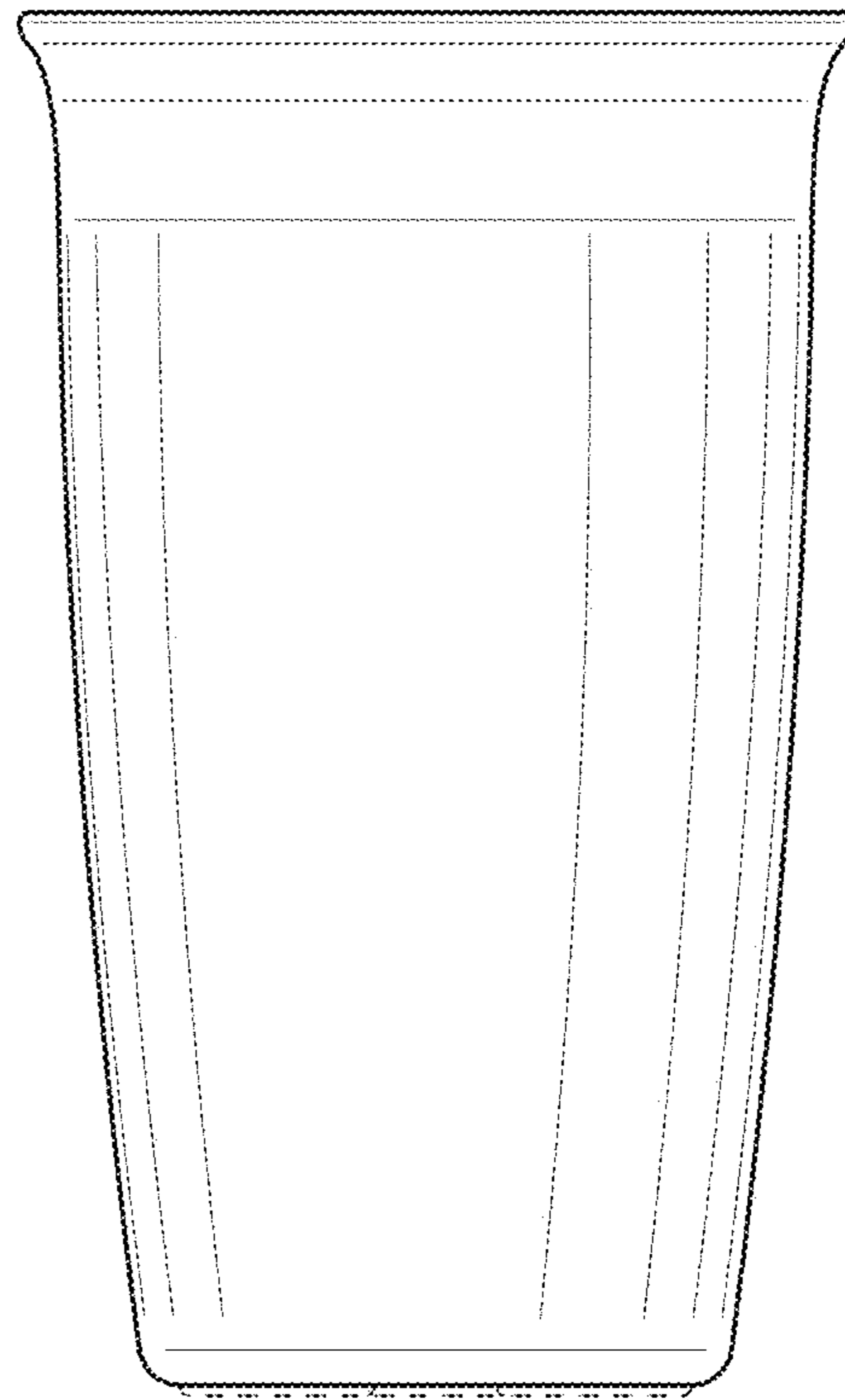


FIG. 6

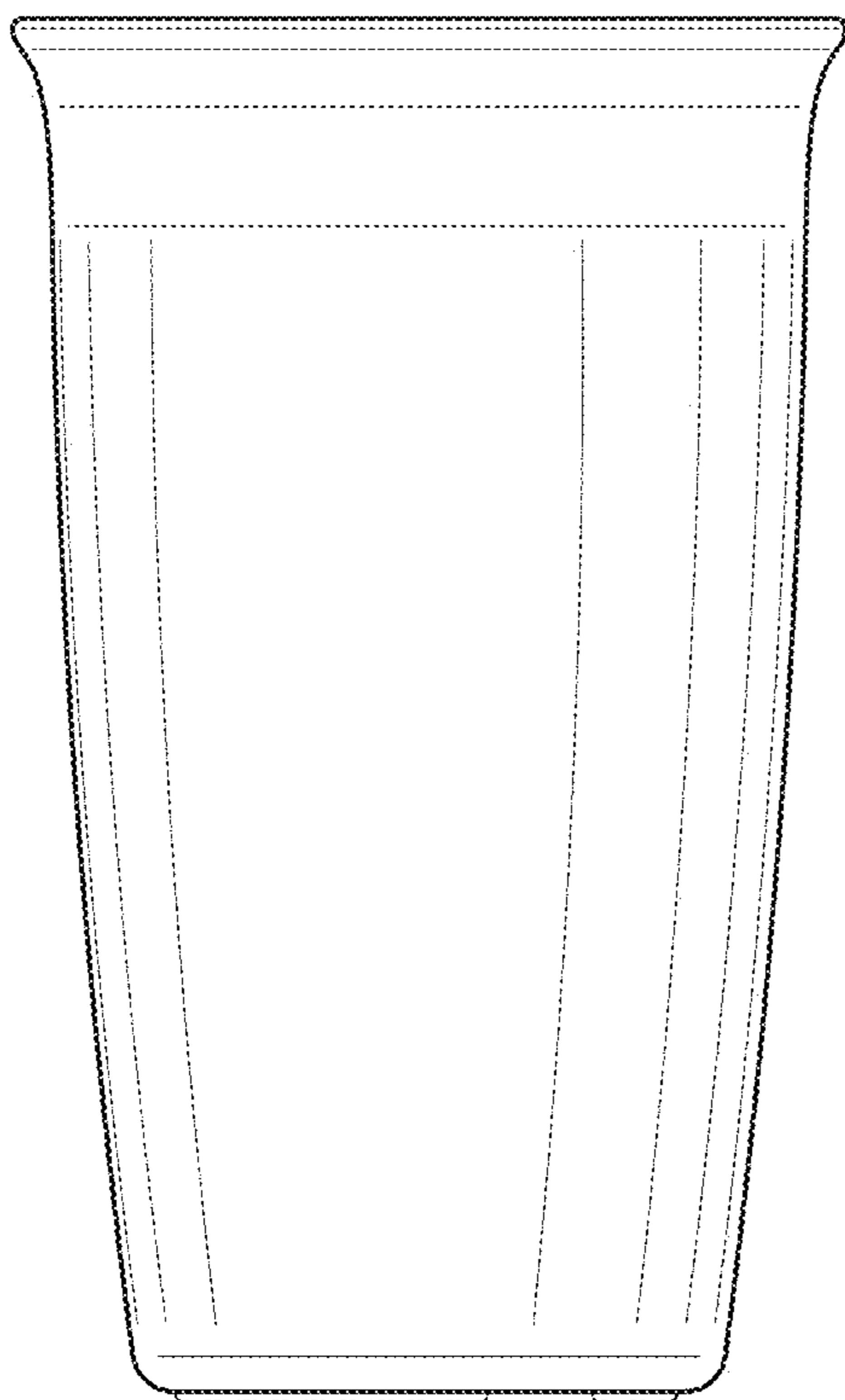


FIG. 7

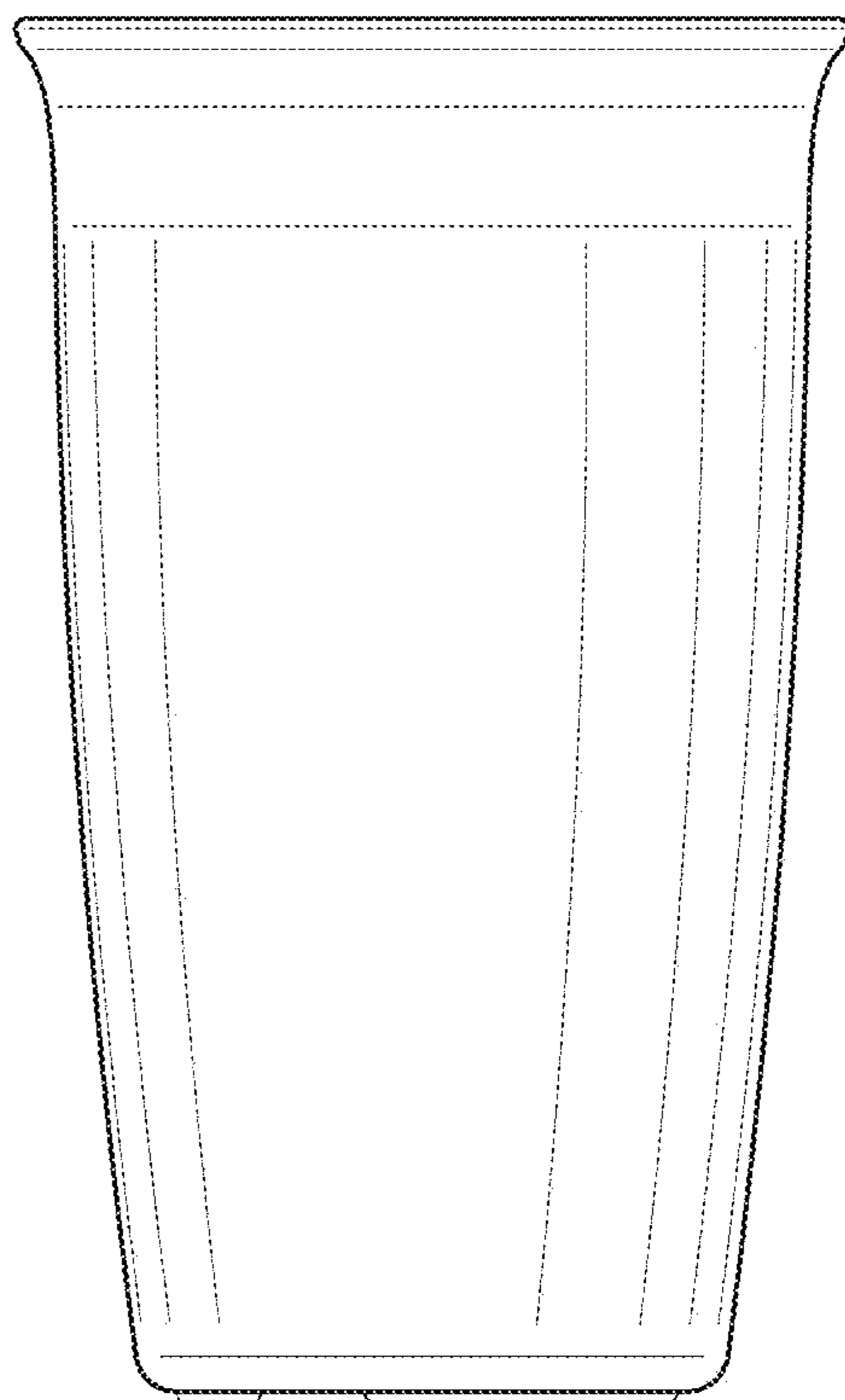


FIG. 8