



US00D898517S

(12) **United States Design Patent** (10) **Patent No.:** **US D898,517 S**  
**McConnell et al.** (45) **Date of Patent:** **\*\* Oct. 13, 2020**

(54) **FOOD PROCESSOR FOR BLENDER ASSEMBLY**

(71) Applicant: **WHIRLPOOL CORPORATION**,  
Benton Harbor, MI (US)

(72) Inventors: **John W. McConnell**, St. Joseph, MI  
(US); **Brandon T. Mock**, St. Joseph,  
MI (US)

(73) Assignee: **Whirlpool Corporation**, Benton  
Harbor, MI (US)

(\*\*) Term: **15 Years**

(21) Appl. No.: **29/723,710**

(22) Filed: **Feb. 10, 2020**

**Related U.S. Application Data**

(62) Division of application No. 29/689,432, filed on Apr. 30, 2019, now Pat. No. Des. 874,869, which is a division of application No. 29/639,761, filed on Mar. 8, 2018, now Pat. No. Des. 852,574.

(51) **LOC (12) Cl.** ..... **31-00**

(52) **U.S. Cl.**  
USPC ..... **D7/413; D7/376; D7/378; D7/384**

(58) **Field of Classification Search**

USPC ..... **D7/372, 376-386, 412-413, 602, 629, D7/665-666, 669, 679, 693-694**

CPC .... **A21C 1/02; A21C 1/04; A23N 1/00; A23N 1/02; A47J 43/04; A47J 43/25; A47J 43/27; A47J 43/042; A47J 43/044; A47J 43/046; A47J 43/075; A47J 43/0716; A47J 43/0722; A47J 43/0727; A47J 43/085; B01F 3/00; B01F 3/0807; B01F 3/0853; B01F 13/0059; B01F 13/0064; B02C 1/08; B02C 2/04; B02C 4/42; B02C 4/142; B02C 4/143; B02C 4/423; B02C 13/1835; B26D 7/2628; B28C 5/10; B28C 5/12; B28C 5/14; B28C 5/16**

See application file for complete search history.

(56) **References Cited**

**U.S. PATENT DOCUMENTS**

D176,257 S	12/1955	Hill et al.
D181,541 S	11/1957	Madl et al.
D187,684 S	4/1960	Hauser et al.
D200,494 S	3/1965	Bezark
D287,327 S	12/1986	Cavalli
D310,153 S	8/1990	Kaiser

(Continued)

*Primary Examiner* — Ricky Pham

(74) *Attorney, Agent, or Firm* — Price Heneveld LLP

(57) **CLAIM**

We claim the ornamental design for a food processor for blender assembly, as shown and described.

**DESCRIPTION**

FIG. 1 is a front top perspective view illustrating a food processor attachment for a blender assembly of the present disclosure;

FIG. 2 is a rear top perspective view of the food processor of FIG. 1;

FIG. 3 is a front elevational view of the food processor of FIG. 1;

FIG. 4 is a rear elevational view of the food processor of FIG. 1;

FIG. 5 is a first side elevational view of the food processor of FIG. 1;

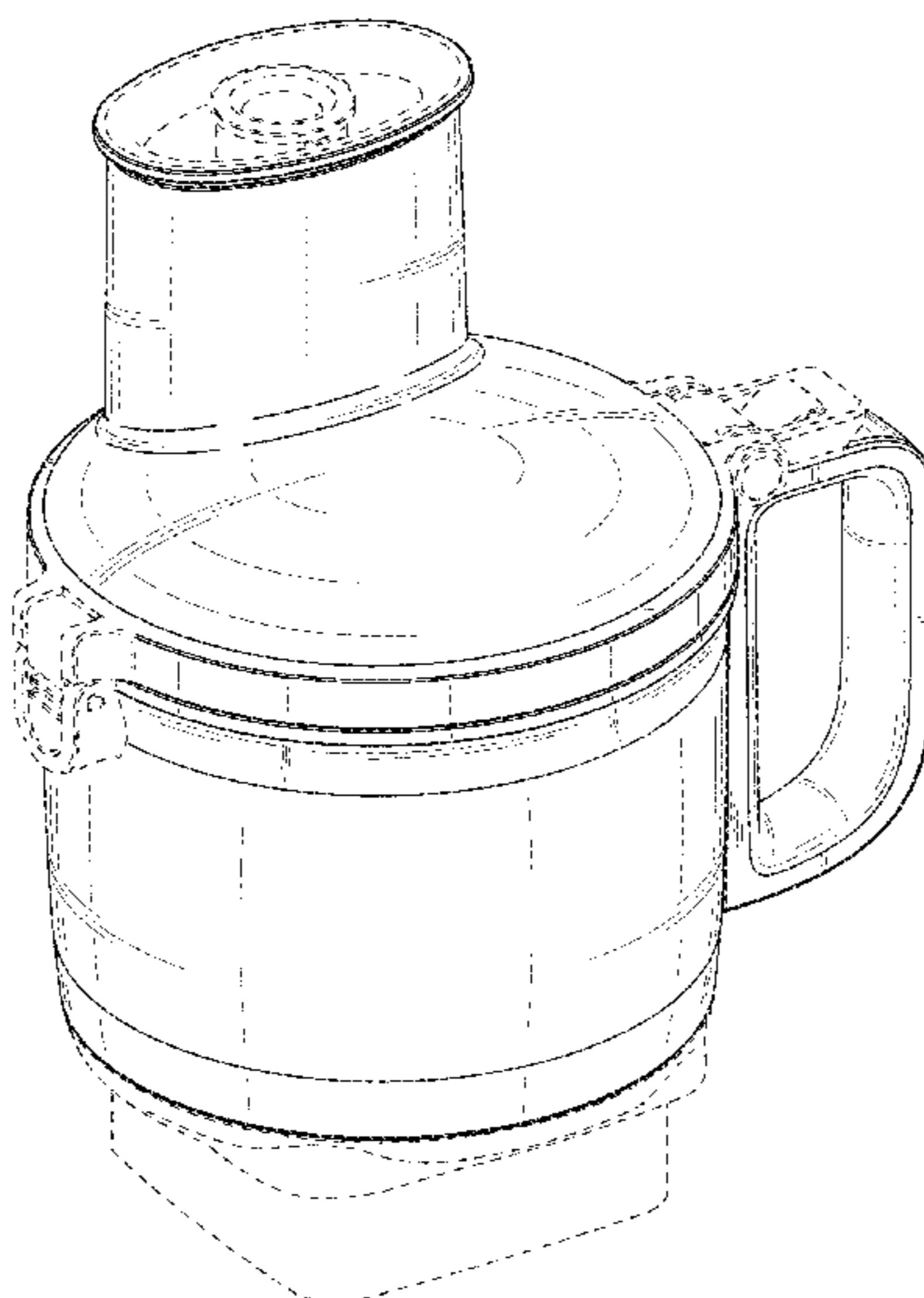
FIG. 6 is a second side elevational view of the food processor of FIG. 1;

FIG. 7 is a top plan view of the food processor of FIG. 1; and,

FIG. 8 is a bottom plan view of the food processor of FIG. 1.

The broken lines depict portions of the article that form no part of the claimed design.

**1 Claim, 8 Drawing Sheets**



(56)

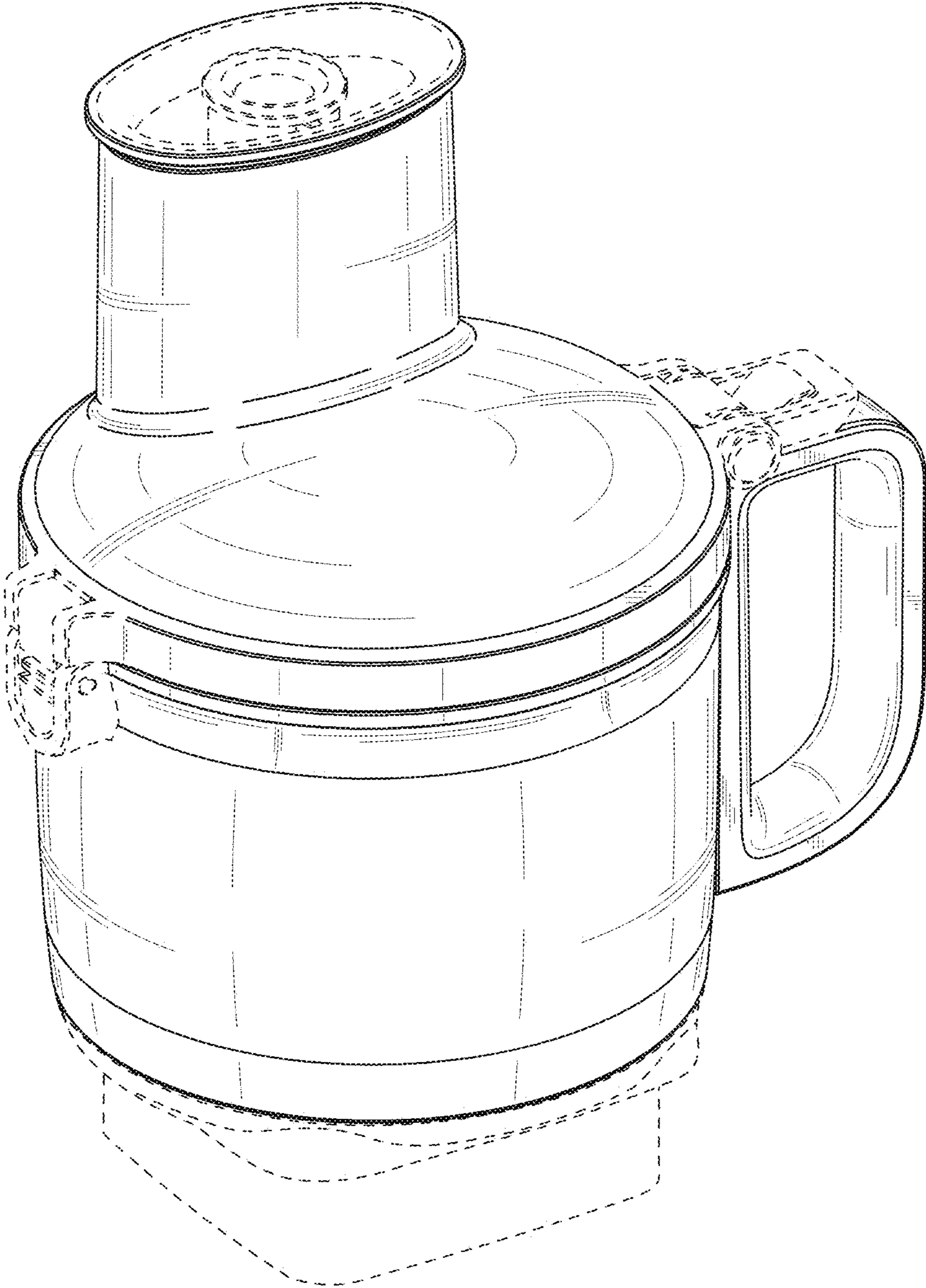
References Cited

U.S. PATENT DOCUMENTS

D424,865 S 5/2000 Crescenzi et al.  
 D444,995 S 7/2001 Thackray  
 D484,357 S 12/2003 Seum et al.  
 D488,344 S 4/2004 Seum et al.  
 D502,047 S 2/2005 Ledingham et al.  
 D502,842 S 3/2005 Hallar  
 D526,531 S 8/2006 Drees et al.  
 D533,395 S 12/2006 Drees et al.  
 D547,601 S 7/2007 Ting et al.  
 D552,412 S 10/2007 Steiner  
 D577,257 S 9/2008 Kuan  
 D577,537 S 9/2008 Lee  
 D578,341 S 10/2008 Picozza et al.  
 D587,064 S 2/2009 Mark  
 D594,697 S 6/2009 Lavy  
 D605,462 S 12/2009 Picozza et al.  
 D616,244 S 5/2010 Thai et al.  
 D617,136 S 6/2010 Bock et al.  
 D631,282 S 1/2011 Ferraby  
 D637,870 S 5/2011 Bock  
 D642,858 S 8/2011 Lazzer  
 D644,480 S 9/2011 Czach et al.  
 D667,683 S 9/2012 Czach et al.  
 D670,531 S 11/2012 Carlson  
 D683,180 S 5/2013 Carlson  
 D694,572 S 12/2013 Kobos et al.  
 D694,573 S 12/2013 Norland et al.  
 D694,574 S 12/2013 Norland et al.  
 D694,582 S 12/2013 Norland  
 D694,583 S 12/2013 Norland  
 D702,993 S 4/2014 Lownds  
 D711,682 S 8/2014 Norland et al.  
 D731,234 S 6/2015 Weaden et al.  
 D731,236 S 6/2015 Yin  
 D739,679 S 9/2015 Benoit et al.

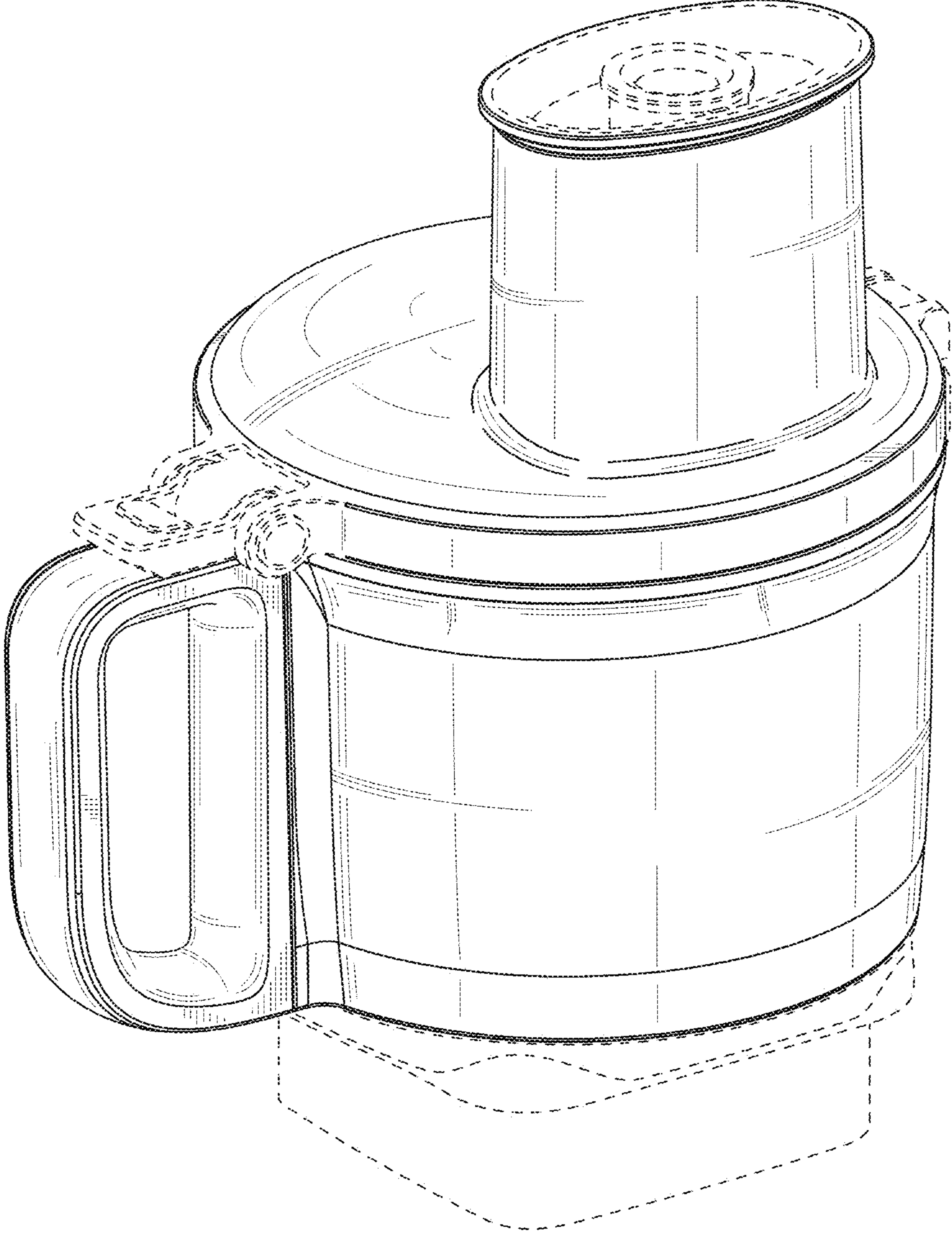
D747,135 S 1/2016 Ha  
 D755,004 S 5/2016 Bock et al.  
 D761,617 S 7/2016 Dennisur et al.  
 D769,061 S 10/2016 Diderotto  
 D770,226 S 11/2016 McConnell et al.  
 D772,008 S 11/2016 McConnell et al.  
 D772,009 S 11/2016 McConnell et al.  
 D781,098 S 3/2017 Bond et al.  
 D782,865 S 4/2017 Bazzicalupo et al.  
 D784,071 S 4/2017 Davies  
 D786,613 S 5/2017 McConnell et al.  
 D794,381 S 8/2017 McConnell et al.  
 D798,653 S 10/2017 Fan  
 D811,806 S 3/2018 Bock  
 D812,416 S \* 3/2018 Carlson ..... D7/384  
 D815,887 S 4/2018 Huang et al.  
 D819,394 S \* 6/2018 Han ..... D7/384  
 D828,080 S 9/2018 Ou et al.  
 D829,496 S 10/2018 Kim  
 D833,812 S \* 11/2018 Coakley ..... D7/412  
 D844,372 S 4/2019 DeLeo et al.  
 D844,374 S 4/2019 McConnell et al.  
 D845,696 S 4/2019 Ou  
 D852,574 S 7/2019 McConnell et al.  
 D853,177 S \* 7/2019 McConnell ..... D7/384  
 10,427,316 B2 \* 10/2019 Beber ..... B26D 7/2628  
 10,449,685 B2 \* 10/2019 Beber ..... A47J 43/0722  
 D869,227 S \* 12/2019 McConnell ..... D7/384  
 D881,637 S \* 4/2020 Ye ..... D7/384  
 2011/0139017 A1 \* 6/2011 Beber ..... A47J 43/085  
 99/537  
 2011/0265664 A1 \* 11/2011 Goncalves ..... A47J 43/0716  
 99/538  
 2014/0299691 A1 \* 10/2014 Zakowski ..... A47J 43/0705  
 241/100  
 2019/0090694 A1 \* 3/2019 Wu ..... A47J 43/085

\* cited by examiner

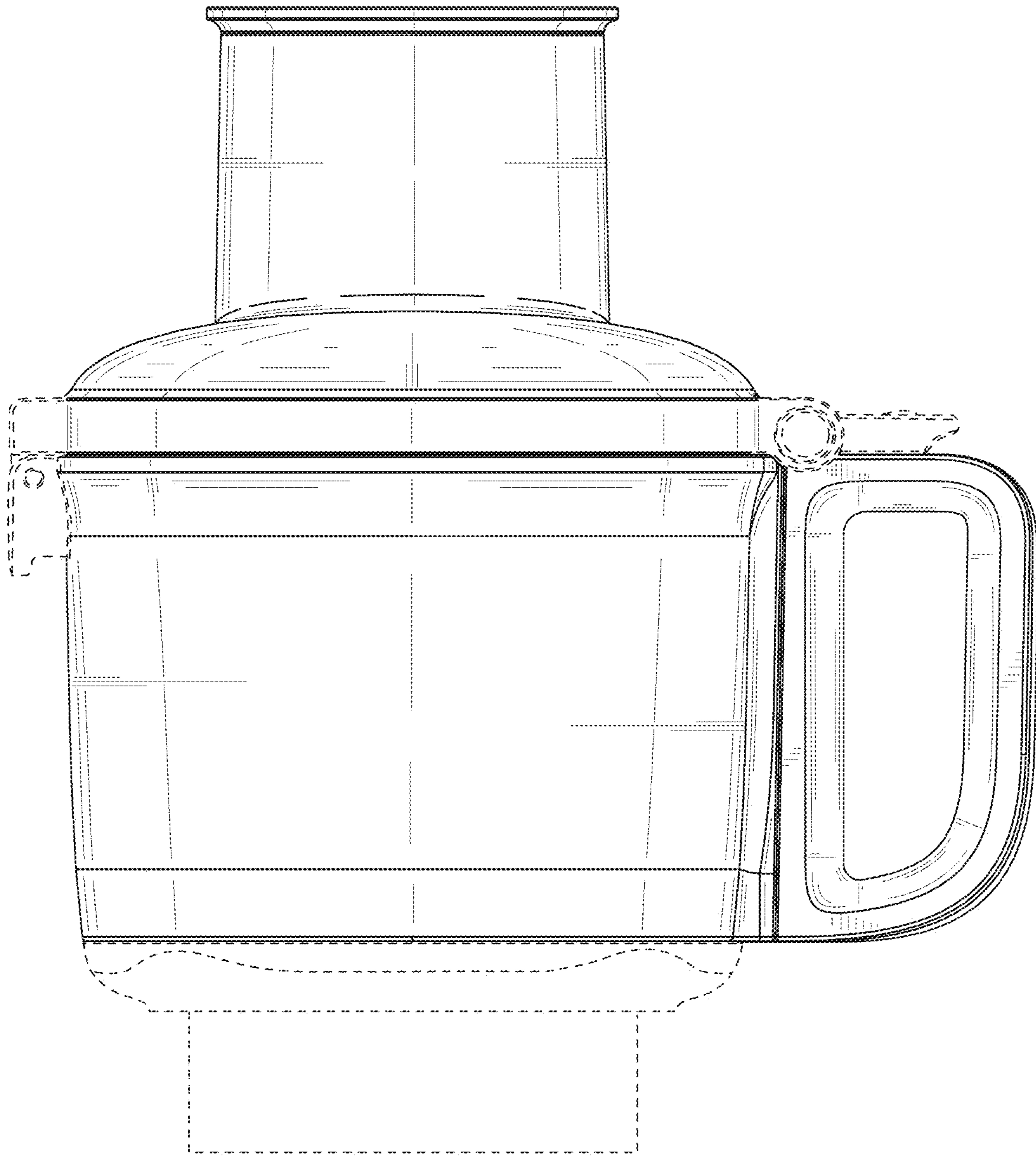


**FIG. 1**





**FIG. 2**



**FIG. 3**

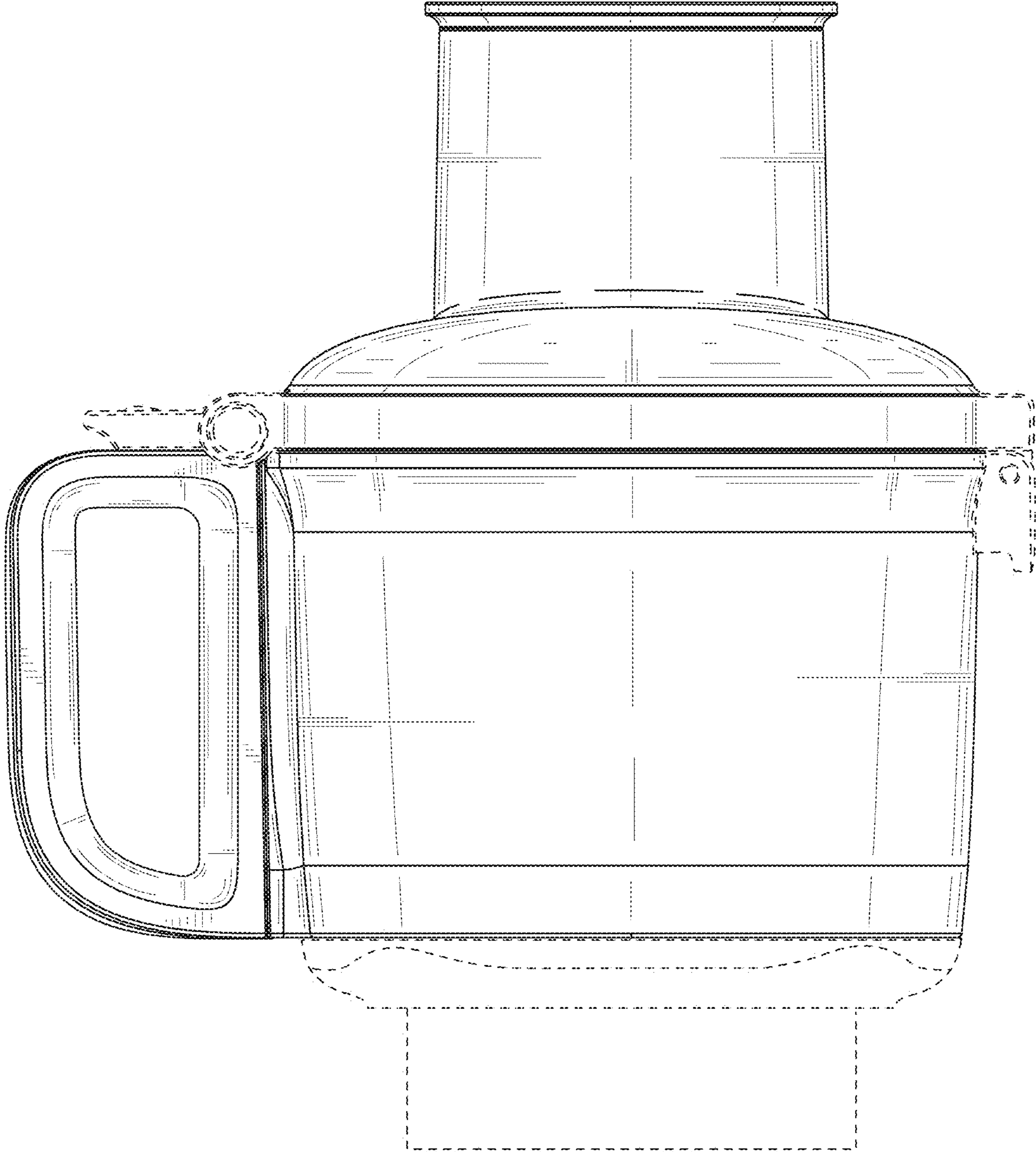
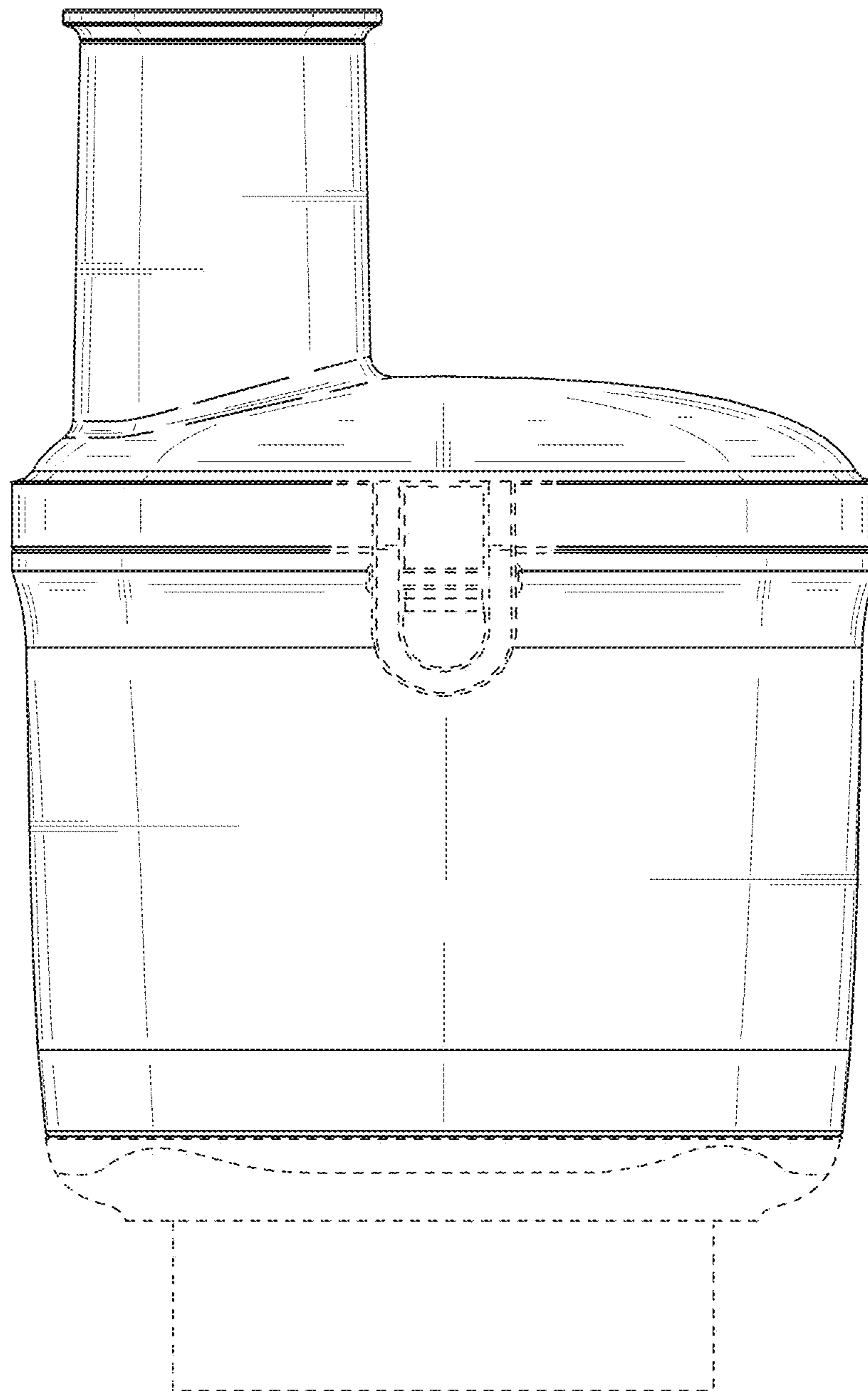
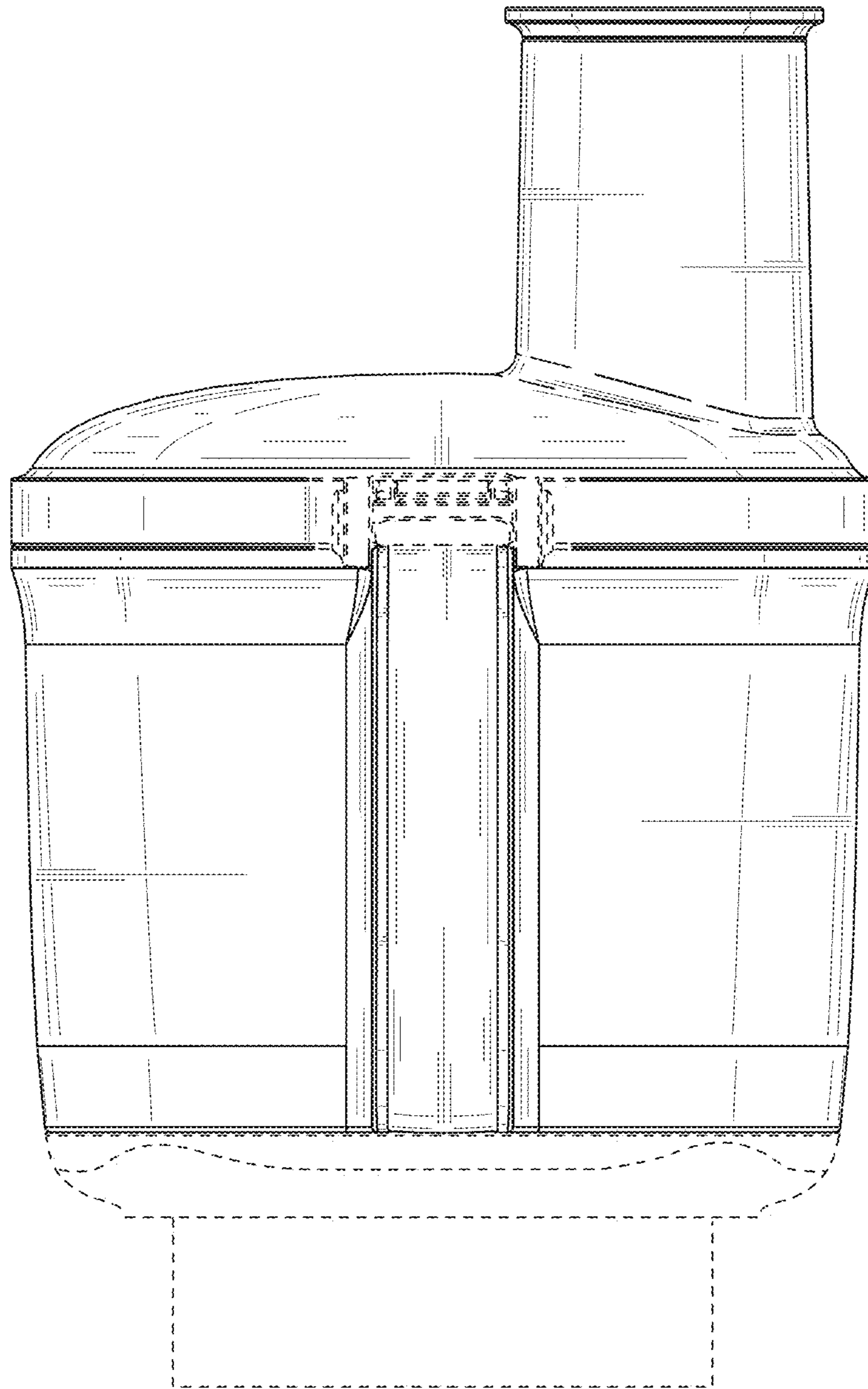


FIG. 4

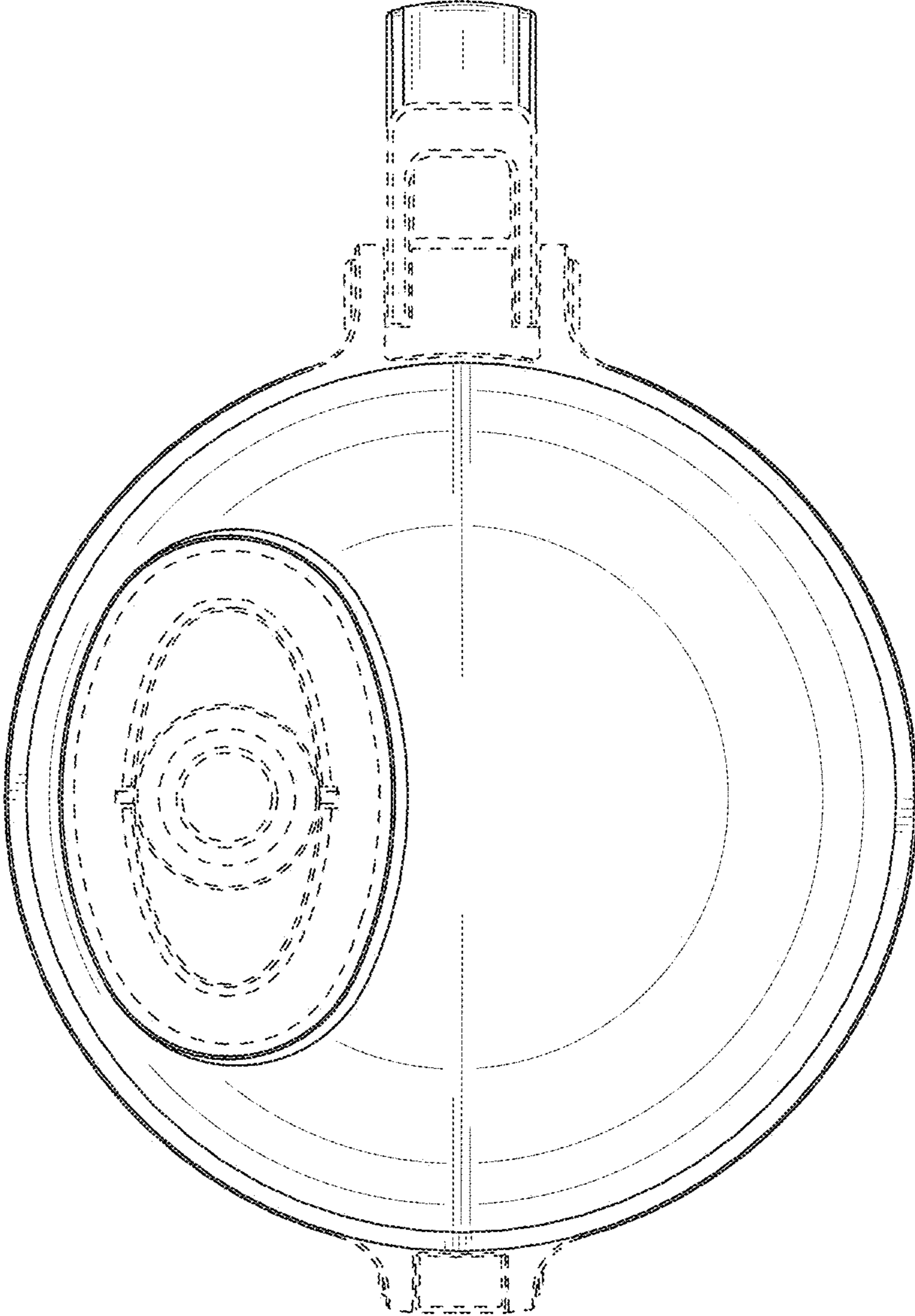


**FIG. 5**

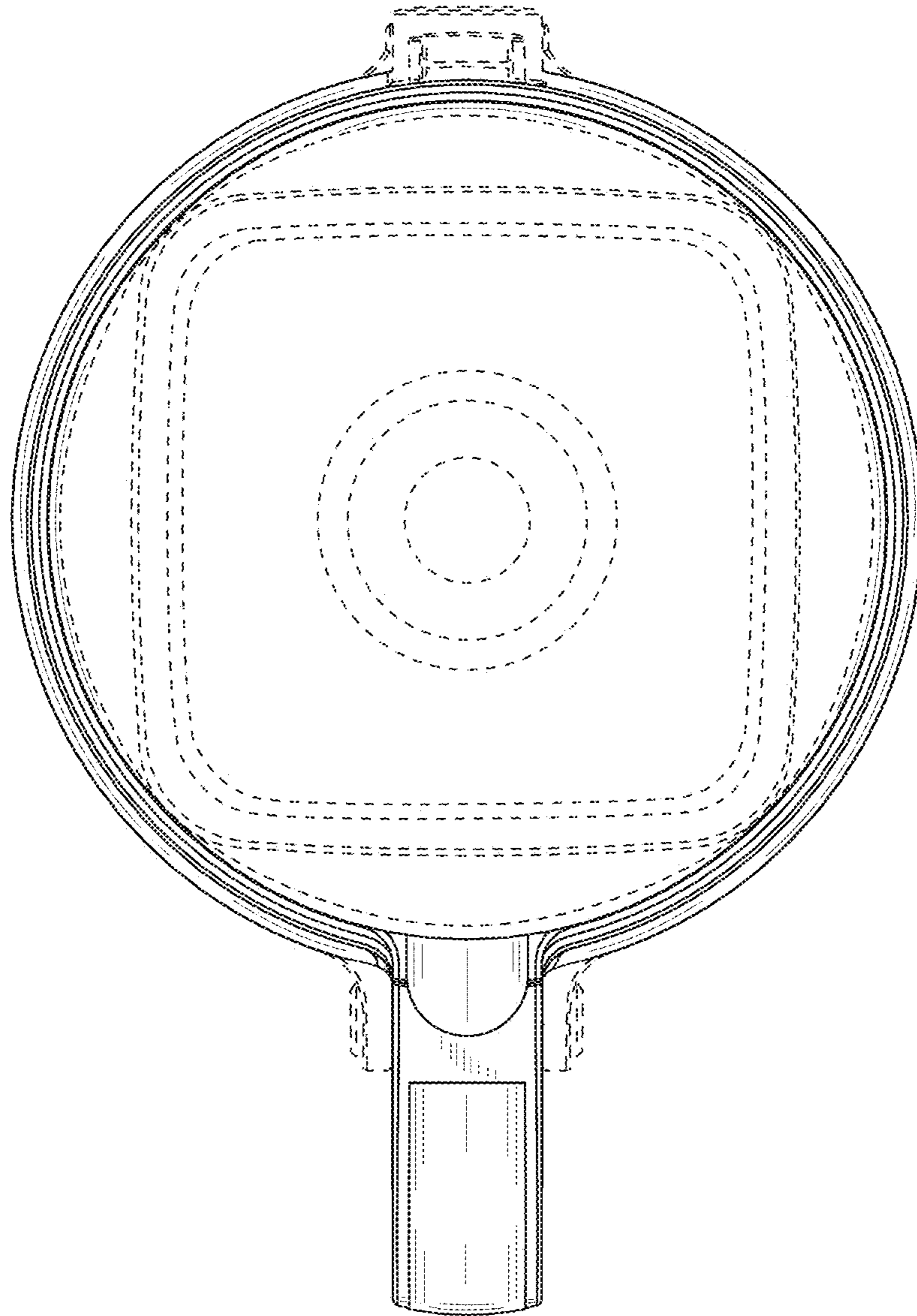


**FIG. 6**





**FIG. 7**



**FIG. 8**