



US00D898515S

(12) **United States Design Patent**
Lee

(10) **Patent No.:** **US D898,515 S**
(45) **Date of Patent:** **** Oct. 13, 2020**

- (54) **WAFFLE PAN**
- (71) Applicant: **Ki Won Lee**, Ulsan (KR)
- (72) Inventor: **Ki Won Lee**, Ulsan (KR)
- (**) Term: **15 Years**
- (21) Appl. No.: **29/683,138**
- (22) Filed: **Mar. 11, 2019**
- (51) **LOC (12) Cl.** **07-99**
- (52) **U.S. Cl.**
USPC **D7/410**
- (58) **Field of Classification Search**
USPC D7/323, 328, 329, 330, 339, 340, 341,
D7/342, 343, 344, 345, 346, 347, 348,
D7/349, 351, 352, 365, 367, 390, 402,
D7/403, 404, 405, 406, 407, 408, 409,
D7/410, 411, 538, 543, 554.1, 554.2, 585
CPC A21B 1/00; A21B 1/52; A21B 5/00; A21B
3/13; A21B 3/131; A21B 3/132; A21B
3/133; A21B 3/138; A21B 3/15; A21B
5/023; A47J 37/00; A47J 37/04; A47J
37/06; A47J 37/0623; A47J 37/0611;
A47J 37/067; A47J 37/0605; A47J
37/0629; A47J 37/0676; A47J 27/60;
A47J 27/62; A47J 36/022; A47J 36/025;
A47J 36/027; A47G 19/02; A47G 19/027;
A47G 19/22; F24C 1/00; F24C 3/00;
F24C 3/002; F24C 3/008; F24C 5/00;
F24C 7/00; F24C 7/002; F24C 7/043;
F24C 7/062; F24C 11/00; F24C 15/02;
F24C 15/04; F24C 15/10
See application file for complete search history.

(56) **References Cited**
U.S. PATENT DOCUMENTS

- 1,493,444 A * 5/1924 Burch A47J 37/0611
99/375
- 1,947,124 A * 2/1934 Clauss A47J 37/0611
99/380

- 2,743,665 A * 5/1956 Gustafson A47J 37/0611
99/331
 - 2,877,703 A * 3/1959 Pavelka, Jr. A47J 37/0611
99/331
 - 3,799,047 A * 3/1974 Freeman A47J 37/0611
99/332
 - 3,999,473 A * 12/1976 Carbon A47J 37/0611
99/377
 - 4,075,940 A * 2/1978 Carbon A47J 37/0611
99/377
 - 4,307,658 A * 12/1981 Kaebitzsch A47J 37/0611
403/322.1
 - D276,208 S * 11/1984 LaDuca D7/352
 - D310,496 S * 9/1990 Timpone D10/106.1
- (Continued)

OTHER PUBLICATIONS

Beijamei Heart Shaped Waffle Machine, announced © 2004-2020 [online], retrieved Jun. 3, 2020, retrieved from internet, https://www.dhgate.com/product/beijamei-heart-shaped-waffle-machine-mini/484589908.html#seo=WAP.*

(Continued)

Primary Examiner — Barbara Fox
Assistant Examiner — Messina L Smith
(74) *Attorney, Agent, or Firm* — Novick, Kim & Lee, PLLC; Jae Youn Kim; Hyun Woo Shin

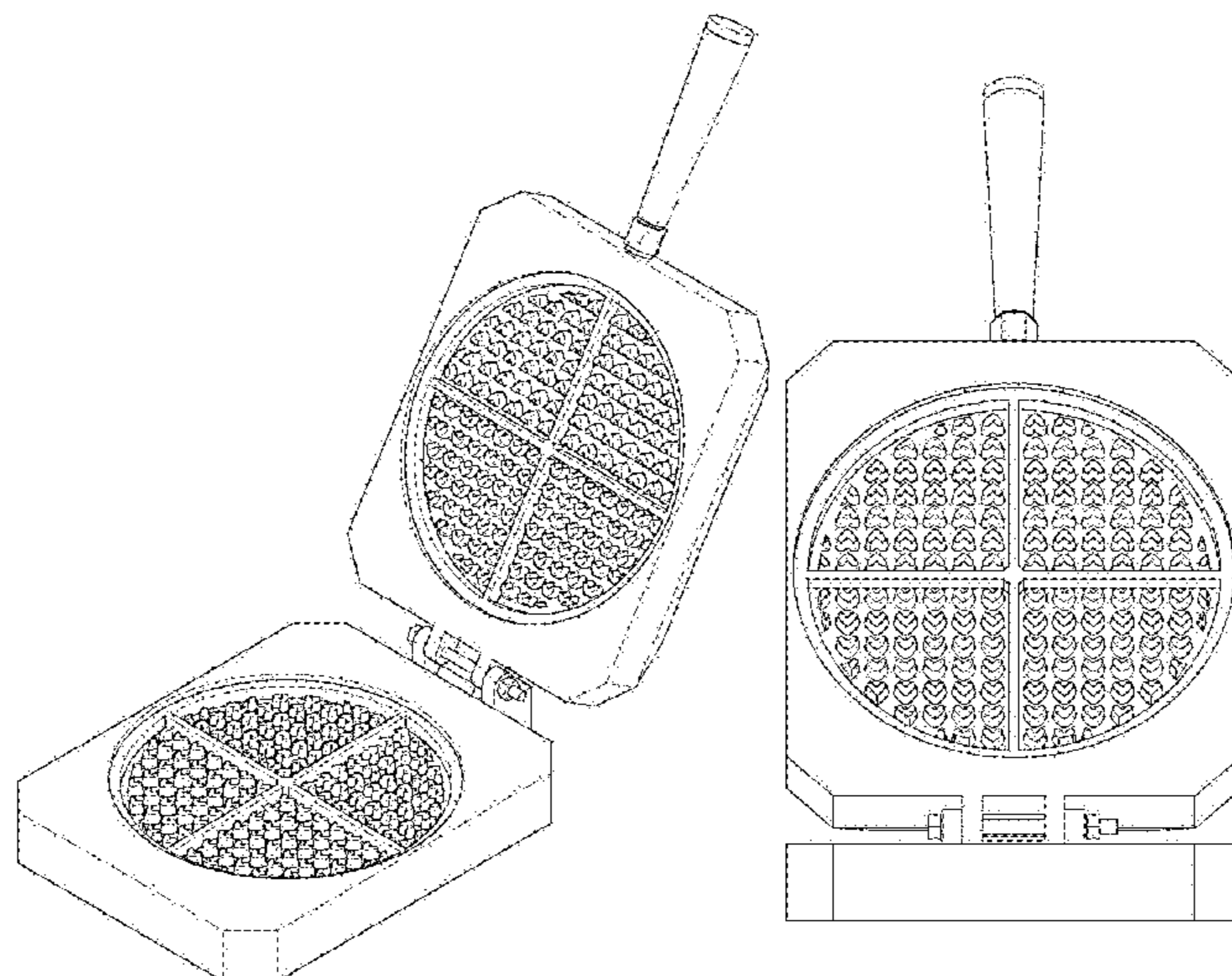
(57) **CLAIM**

I claim, the ornamental design for a waffle pan, as shown and described.

DESCRIPTION

FIG. 1 is a perspective view of a waffle pan, showing my new design;
FIG. 2 is a front elevational view thereof;
FIG. 3 is a rear elevational view thereof;
FIG. 4 is a left side elevational view thereof, the right side elevational view being a mirror image;
FIG. 5 is a top plan view thereof; and,
FIG. 6 is a bottom plan view thereof.

1 Claim, 6 Drawing Sheets



(56)

References Cited

U.S. PATENT DOCUMENTS

5,299,492 A * 4/1994 Carbon A21B 5/023
219/524
5,937,742 A * 8/1999 Steeb A47J 37/0611
99/375
5,983,784 A * 11/1999 Goldberg A47J 37/0611
99/372
D504,276 S * 4/2005 Vial D7/352
D522,803 S * 6/2006 Lam D7/352
D523,284 S * 6/2006 Lam D7/352
D589,294 S * 3/2009 Averty D7/356
D730,118 S * 5/2015 Fast D7/352
D751,342 S * 3/2016 Steeb D7/352
D827,375 S * 9/2018 Wu D7/410
D842,640 S * 3/2019 Iori D7/352
D844,280 S * 4/2019 Owczarski D1/115
2002/0073855 A1 * 6/2002 Gambino A47J 37/0611
99/422
2005/0050682 A1 * 3/2005 Lubowicki A47J 37/0611
16/266
2005/0217492 A1 * 10/2005 Albritton A47J 37/0611
99/372
2007/0186785 A1 * 8/2007 Cohen A47J 37/0871
99/372

2008/0105137 A1 * 5/2008 Genslak A47J 37/0611
99/350
2009/0139412 A1 * 6/2009 Zhan A47J 37/0611
99/374
2009/0145307 A1 * 6/2009 Lubowicki A47J 37/0611
99/375
2010/0024662 A1 * 2/2010 Bengtson A47J 37/0611
99/377
2010/0162903 A1 * 7/2010 Chen F47J 37/0611
99/422
2010/0199858 A1 * 8/2010 Chang A47J 37/0611
99/427
2016/0007799 A1 * 1/2016 Steeb A21B 5/023
426/275
2016/0213197 A1 * 7/2016 Zhan A47J 37/0611
2018/0146823 A1 * 5/2018 Langenfeld A47J 37/0611
2018/0206674 A1 * 7/2018 Chen A47J 37/0611
2018/0242783 A1 * 8/2018 Zeutzius A47J 37/0611

OTHER PUBLICATIONS

Sweetheart Waffler, announced © 2019 [online], retrieved Jun. 3, 2020, retrieved from internet, <https://www.nordicware.com/sweetheart-waffler>.*

* cited by examiner

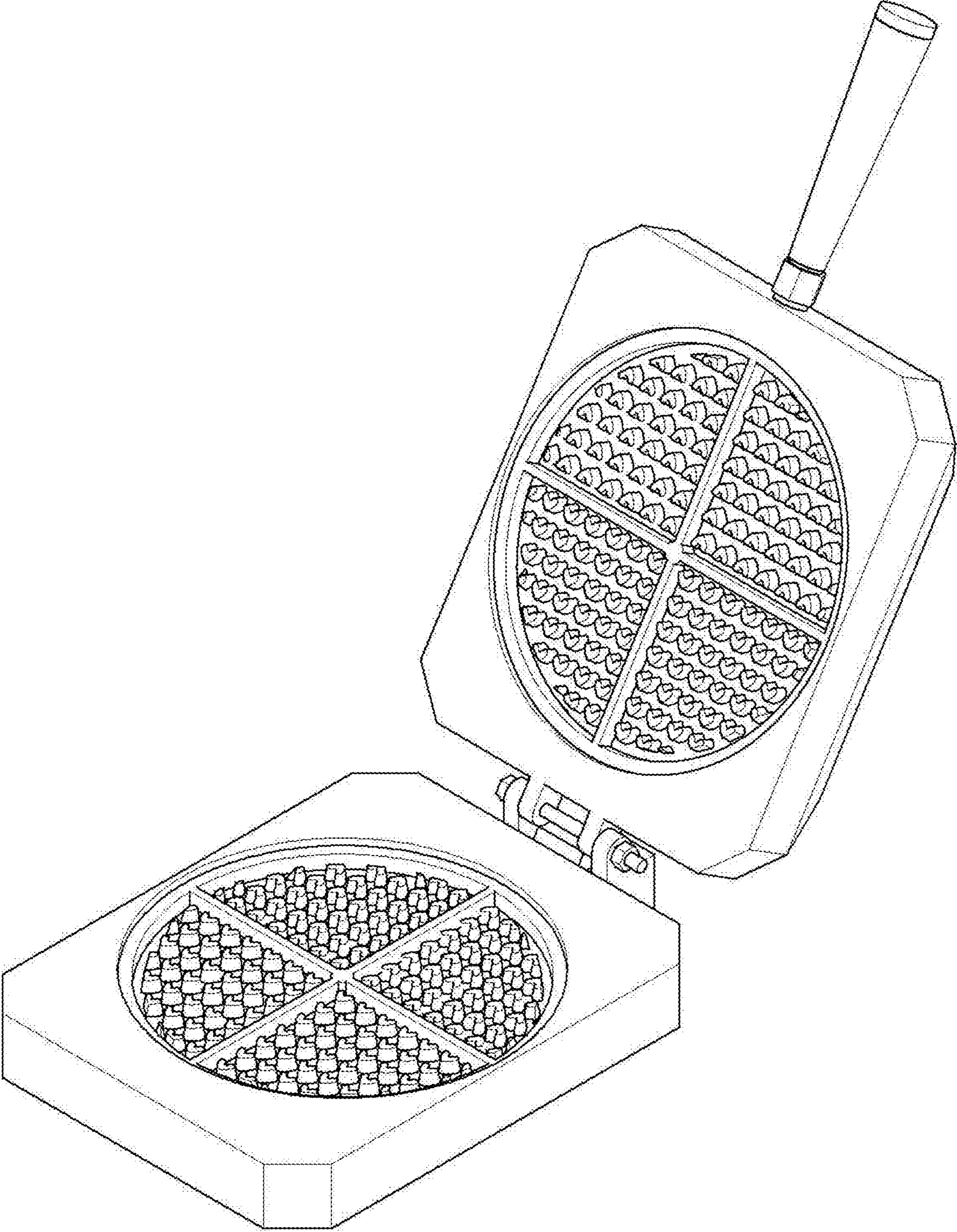


FIG. 1

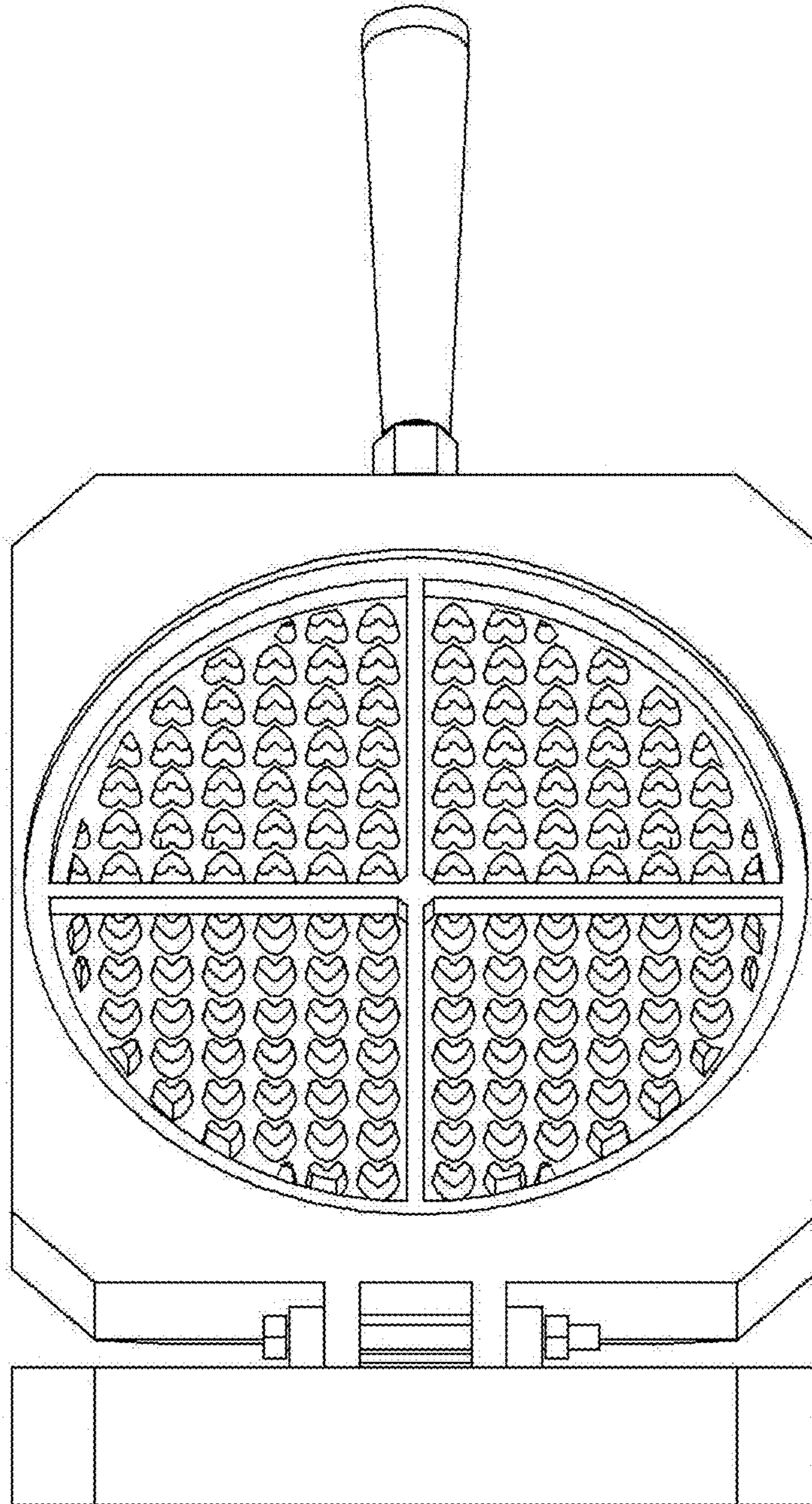


FIG. 2

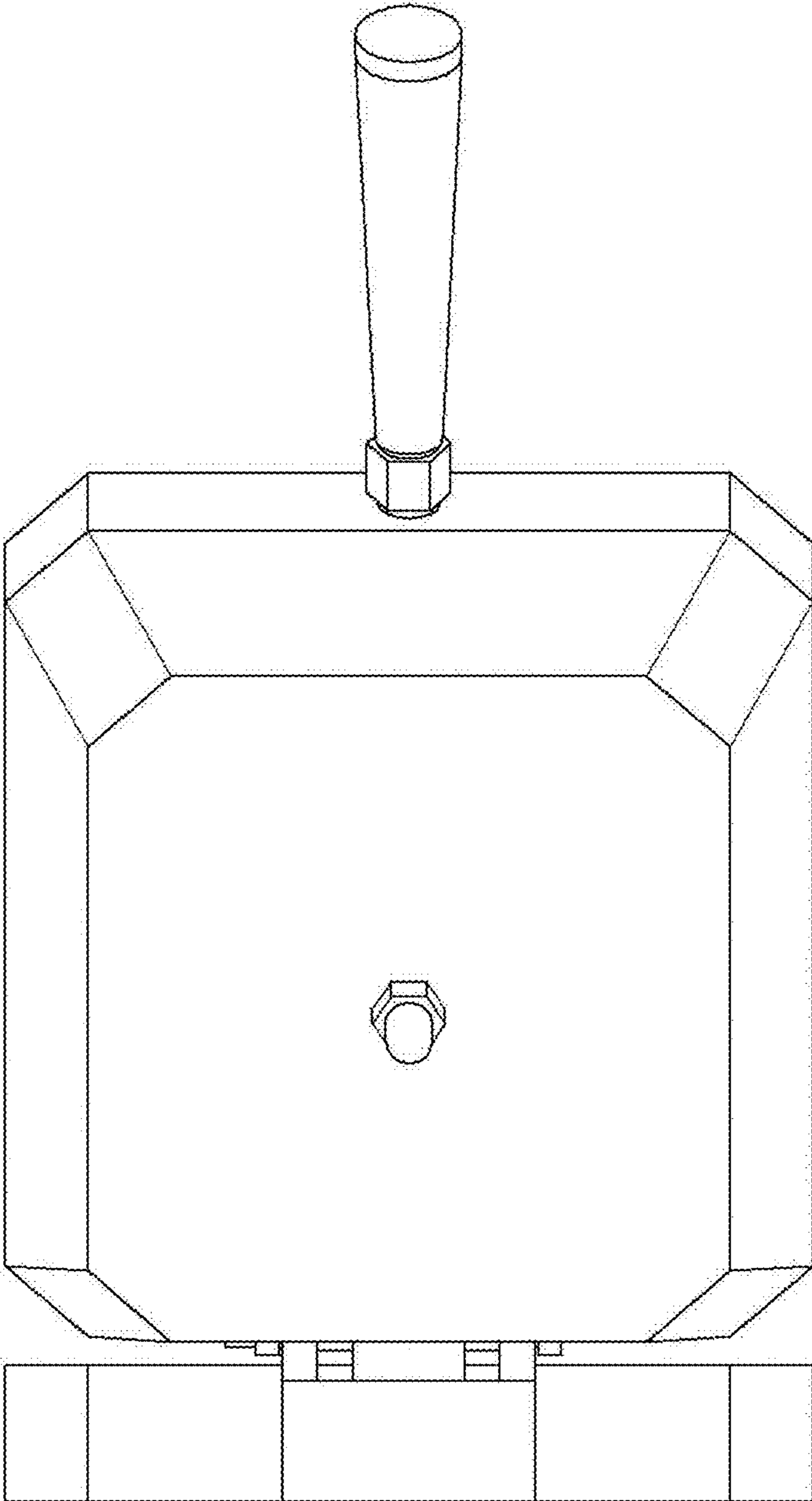


FIG. 3

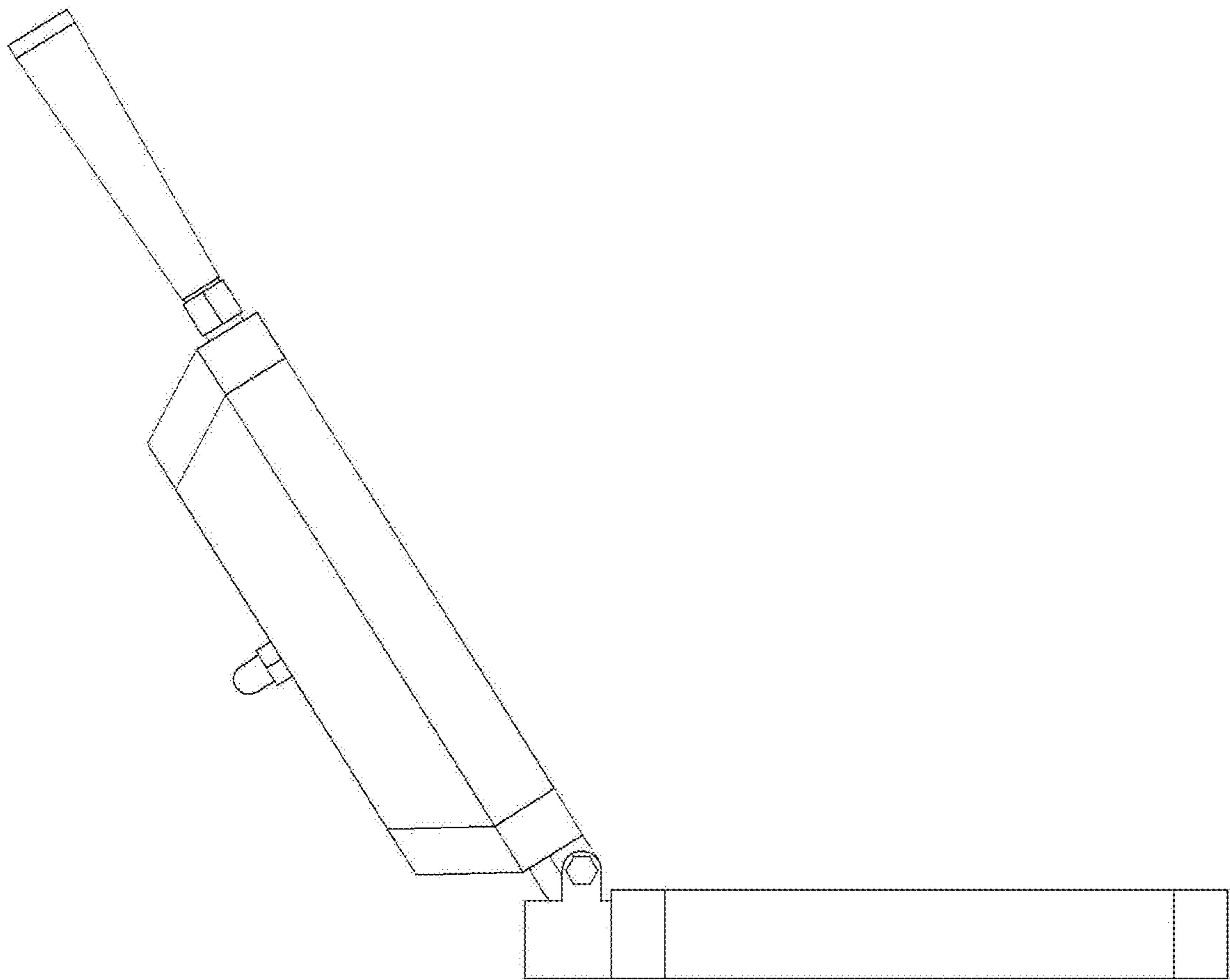


FIG. 4

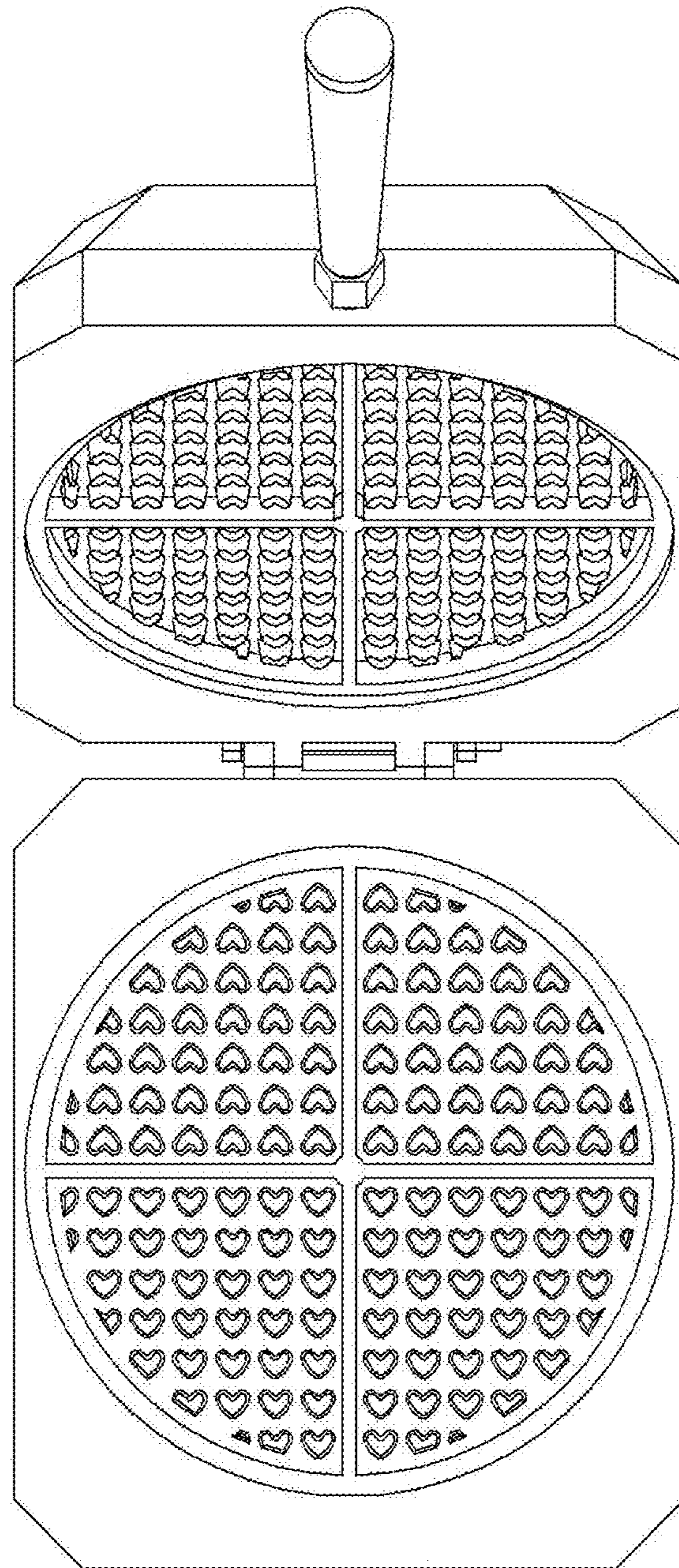


FIG. 5

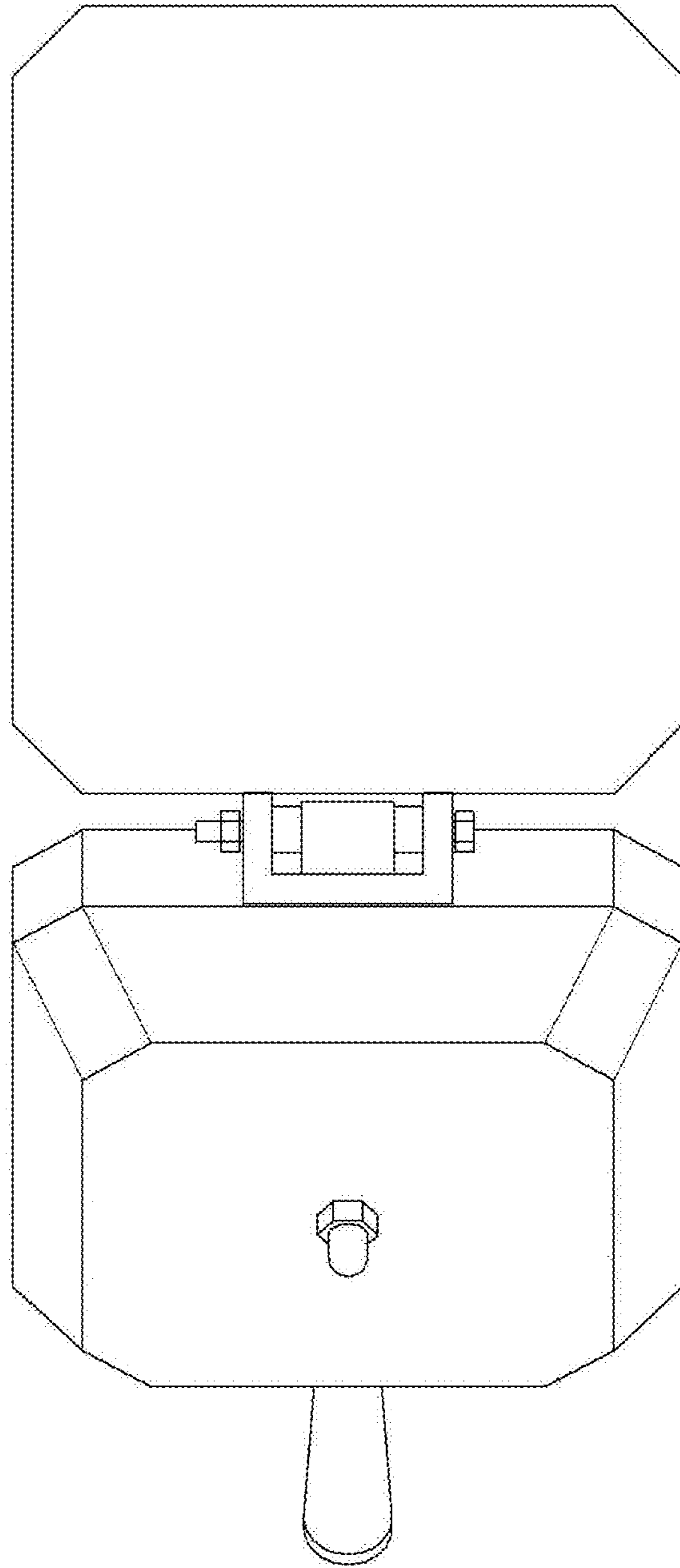


FIG. 6