



US00D898510S

(12) **United States Design Patent**
Lee et al.

(10) **Patent No.:** **US D898,510 S**
(45) **Date of Patent:** **** Oct. 13, 2020**

(54) **WATER CONTAINER FOR BEER BREWING MACHINE**

(71) Applicant: **LG ELECTRONICS INC.**, Seoul (KR)

(72) Inventors: **Hophil Lee**, Seoul (KR); **Daewoong Lee**, Seoul (KR); **Daekee Shin**, Seoul (KR)

(73) Assignee: **LG Electronics Inc.**, Seoul (KR)

(**) Term: **15 Years**

(21) Appl. No.: **35/507,697**

(22) Filed: **Apr. 23, 2019**

(80) **Hague Agreement Data**

Int. Filing Date: **Apr. 23, 2019**

Int. Reg. No.: **DM/203779**

Int. Reg. Date: **Apr. 23, 2019**

Int. Reg. Pub. Date: **Nov. 8, 2019**

(51) **LOC (12) Cl.** **07-99**

(52) **U.S. Cl.**
USPC **D7/397**

(58) **Field of Classification Search**
USPC D7/305, 397, 399, 400, 415, 603, 608,
D7/612, 619.1, 629, 705; D3/202
CPC C12C 13/10; C12C 11/006; C12C 11/00;
B65D 1/323; B65D 51/24
See application file for complete search history.

(56) **References Cited**

U.S. PATENT DOCUMENTS

- D173,473 S * 11/1954 Clarke D7/307
- D246,029 S * 10/1977 Lynn D9/780
- D259,460 S * 6/1981 Daenen D10/46.3
- D265,789 S * 8/1982 Trombly D7/603
- D345,880 S * 4/1994 Classen D7/305

- D397,911 S * 9/1998 Waldmann D7/347
- D423,862 S * 5/2000 Mravlja, Jr. D7/305
- D441,998 S * 5/2001 Kauzlarich D32/30
- D451,828 S * 12/2001 McGuyer D10/46.2
- 6,604,649 B1 * 8/2003 Campi B65D 81/3886
220/592.17
- D623,464 S * 9/2010 Kusch D7/313
- D635,734 S * 4/2011 Rendall D34/39
- D655,978 S * 3/2012 Bolzicco D7/400
- D708,475 S * 7/2014 Bolzicco D7/397
- D760,527 S * 7/2016 Jones D7/300
- D761,624 S * 7/2016 McLean D7/510
- D762,412 S * 8/2016 Kestenbaum D7/392
- D767,331 S * 9/2016 Burrows D7/400
- D772,005 S * 11/2016 Bolzicco D7/400
- D775,496 S * 1/2017 Szucs D7/629
- D778,669 S * 2/2017 Kestenbaum D7/401
- D779,875 S * 2/2017 Gross D7/400
- D812,956 S * 3/2018 Liang D7/310
- D816,422 S * 5/2018 Nguyen D7/603
- D819,398 S * 6/2018 Kestenbaum D7/401
- D824,196 S * 7/2018 Shin D7/313
- D839,049 S * 1/2019 Seiders D7/510

(Continued)

Primary Examiner — Robert M. Spear

(74) *Attorney, Agent, or Firm* — Birch, Stewart, Kolasch & Birch, LLP

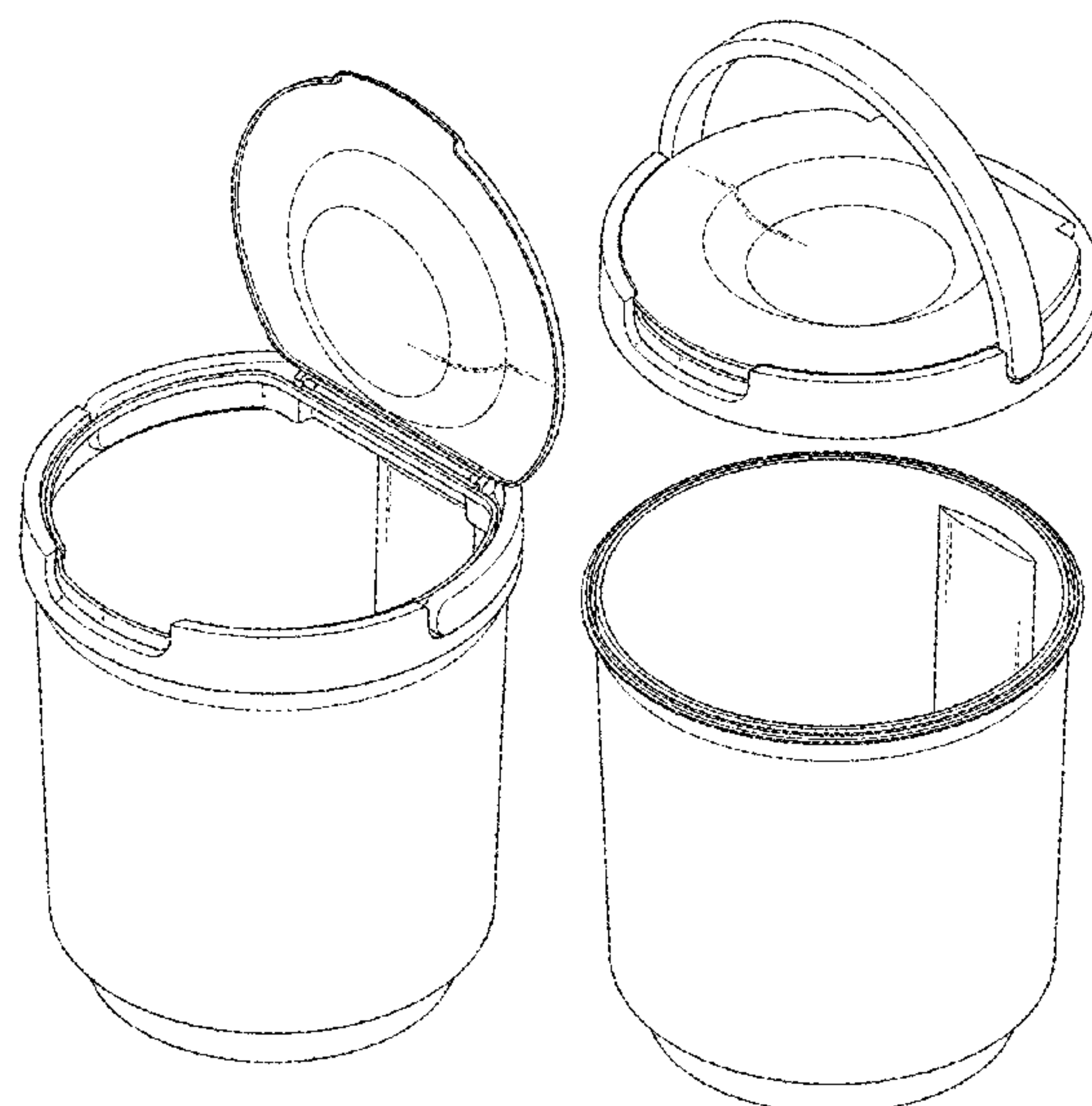
(57) **CLAIM**

The ornamental design for a water container for beer brewing machine, as shown and described.

DESCRIPTION

- 1. Water container for beer brewing machine
- 1.2 : Front
- 1.3 : Back
- 1.4 : Left
- 1.5 : Right
- 1.6 : Top
- 1.7 : Bottom
- 1.8 : Reference view in the opened state
- 1.9 : Reference View in the disassembled state

1 Claim, 9 Drawing Sheets



(56)

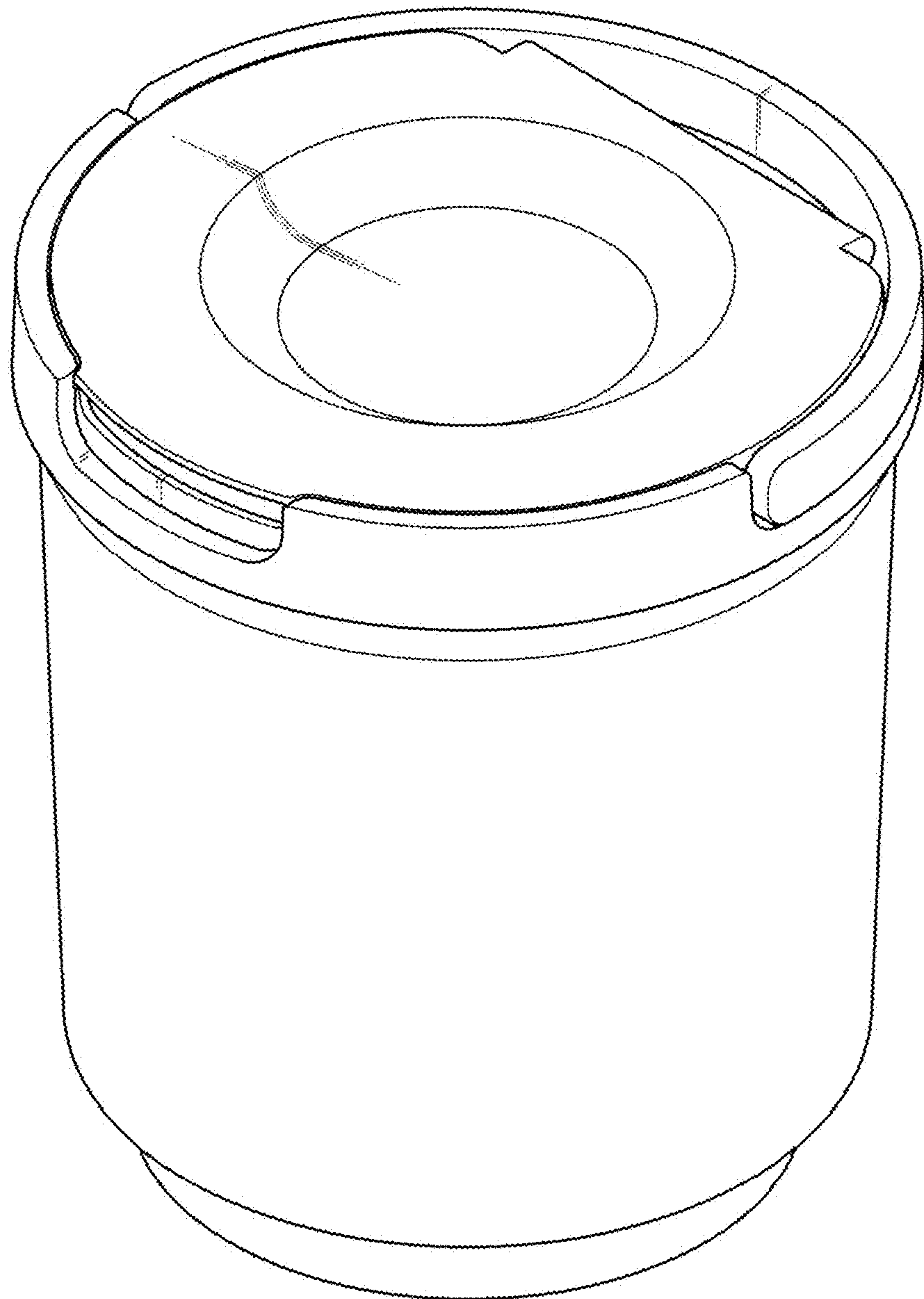
References Cited

U.S. PATENT DOCUMENTS

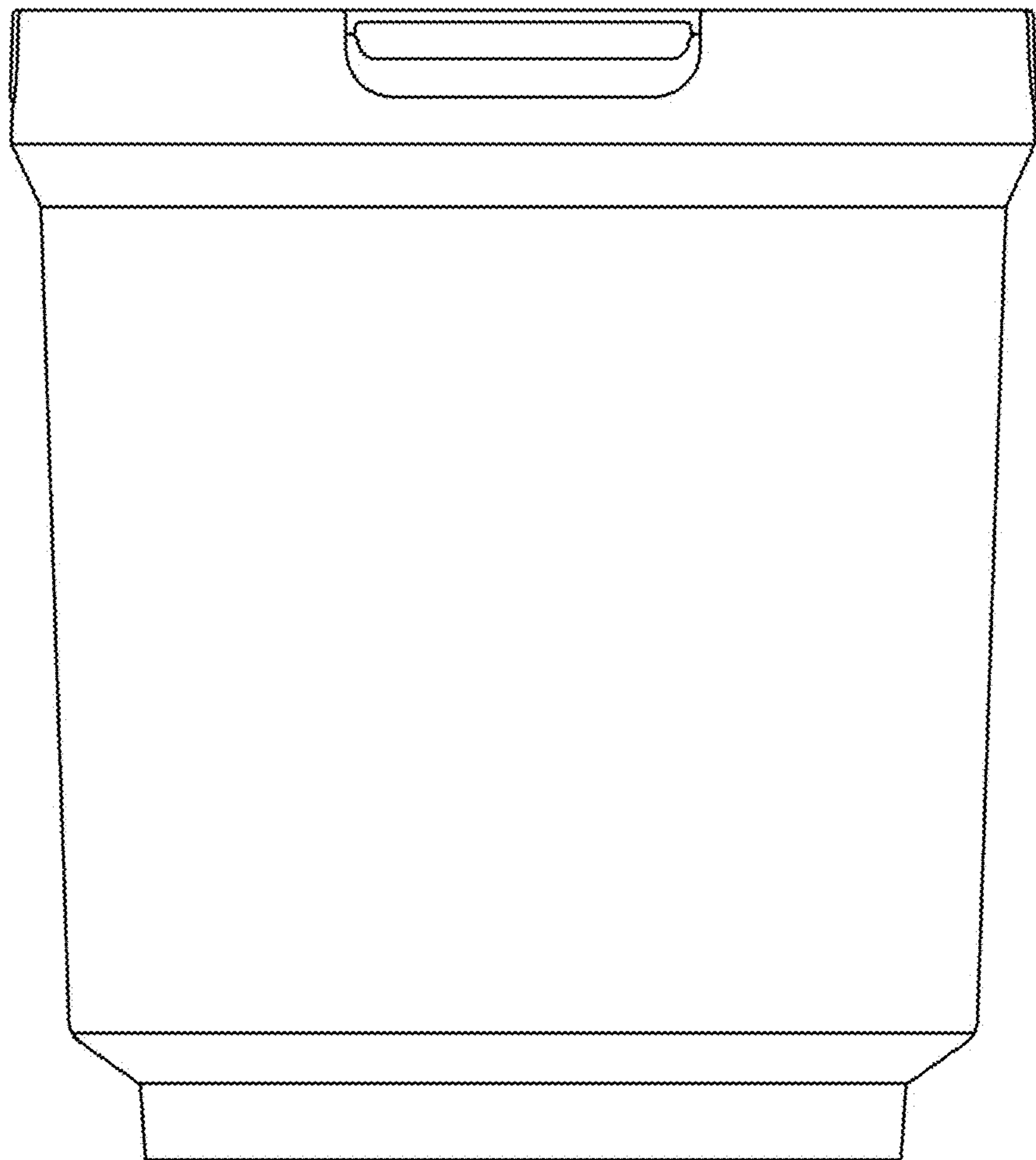
D843,767 S * 3/2019 Shin D7/313
D861,430 S * 10/2019 Yueh D7/507
D878,132 S * 3/2020 Kestenbaum D7/309
D884,420 S * 5/2020 McLean D7/400
D888,505 S * 6/2020 Seiders D7/624.2
2017/0231418 A1* 8/2017 Bebo A47J 31/0626
99/323
2019/0239676 A1* 8/2019 Kirkham A47J 31/06

* cited by examiner

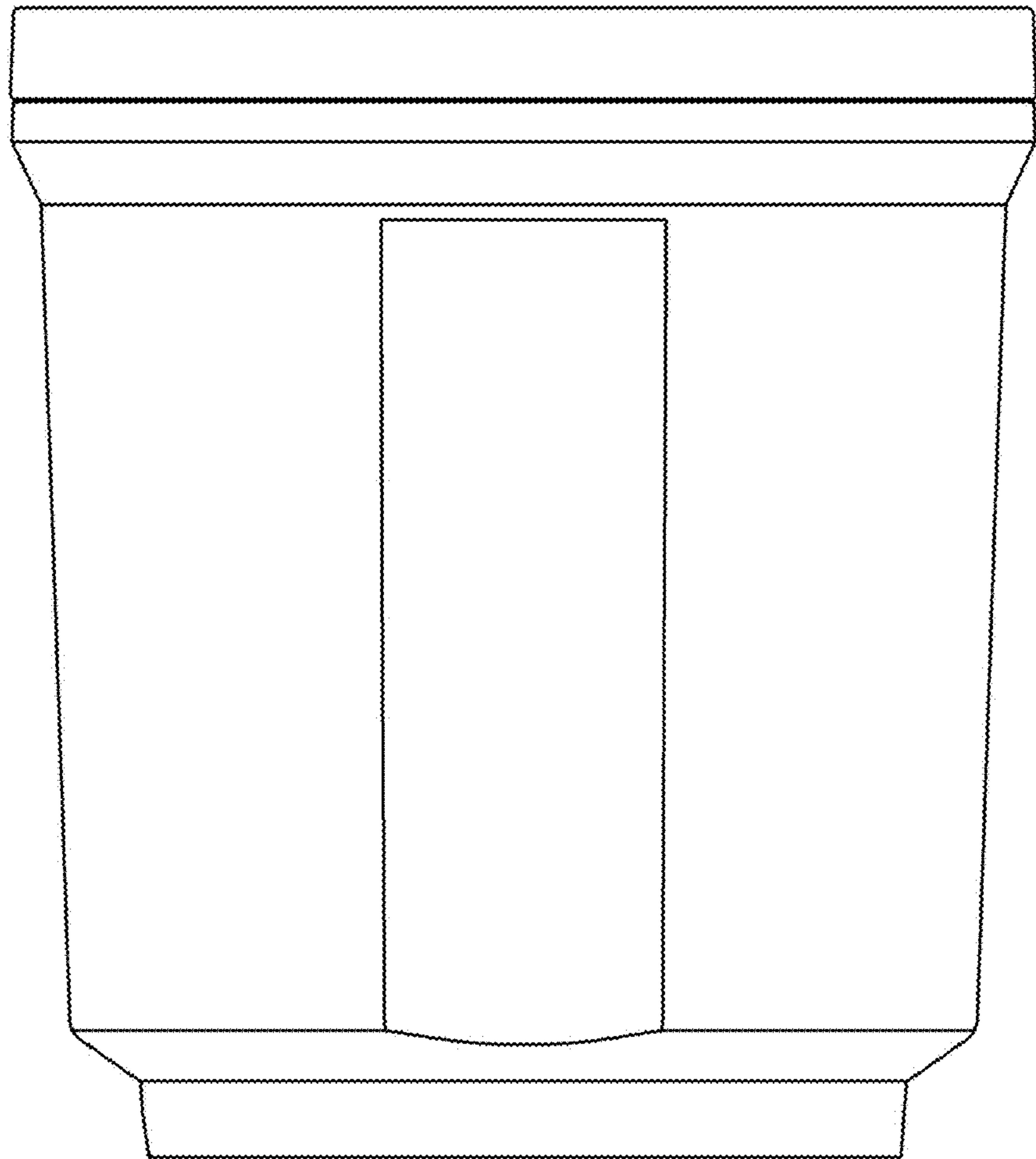
1.1



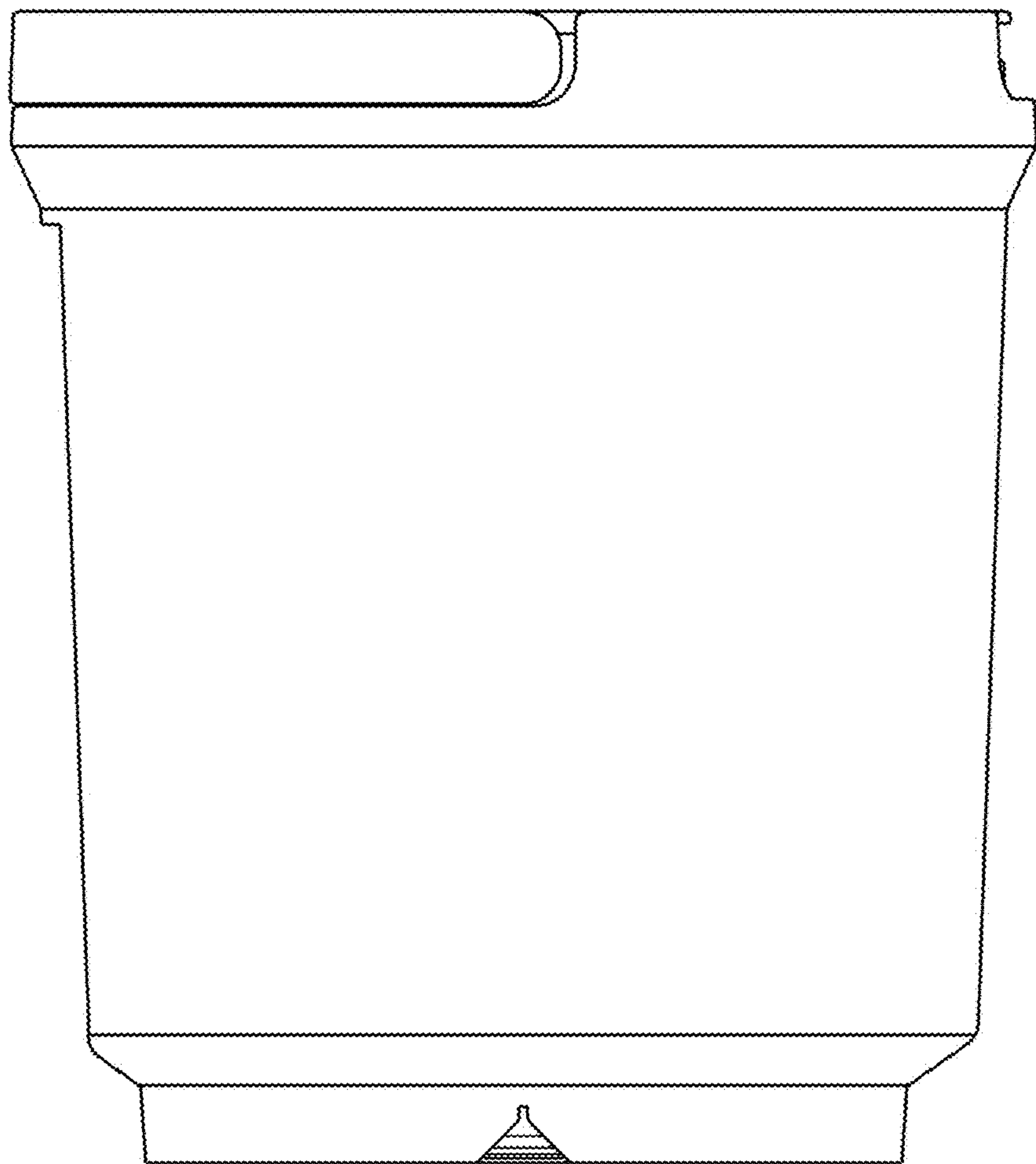
1.2



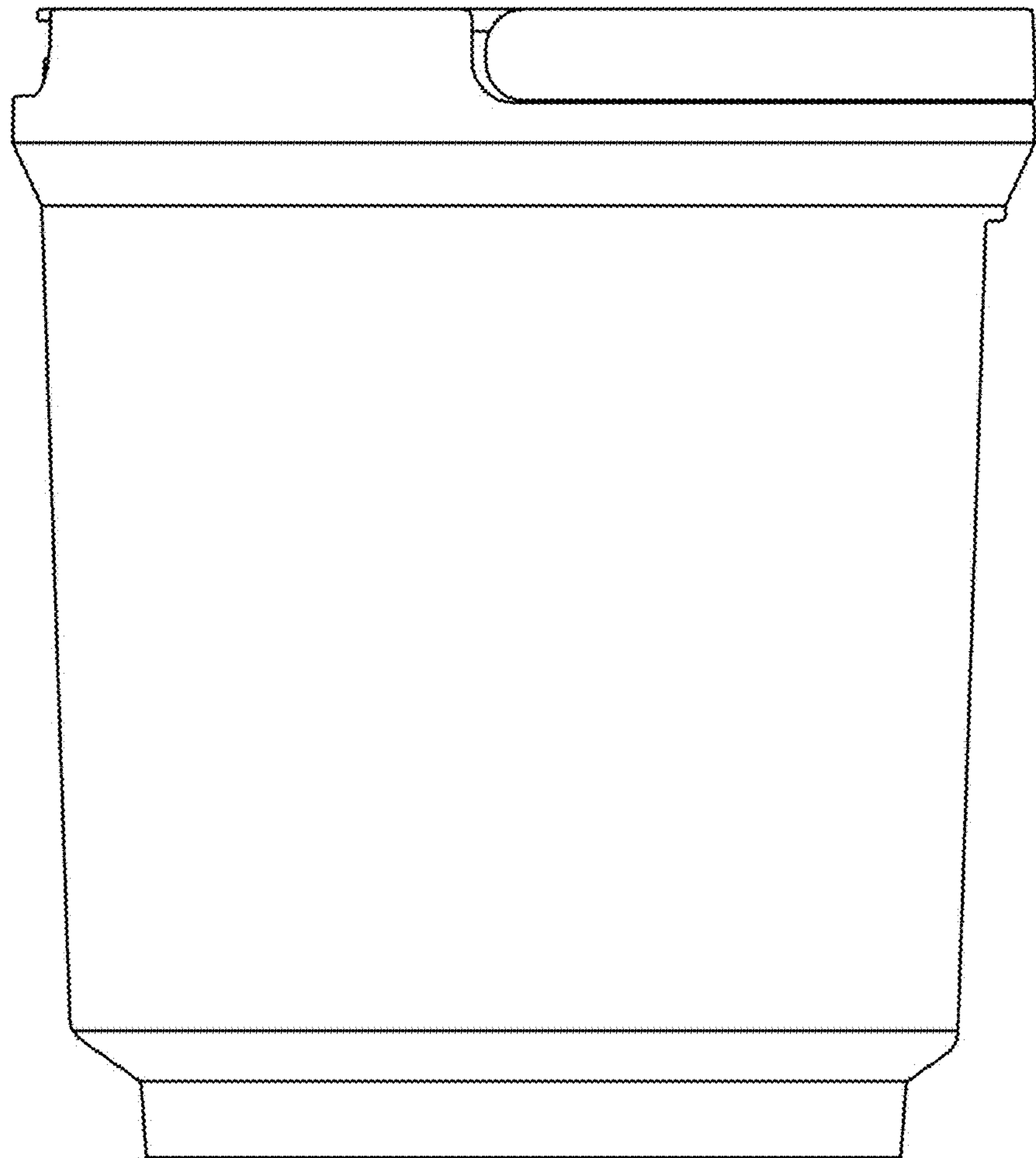
1.3



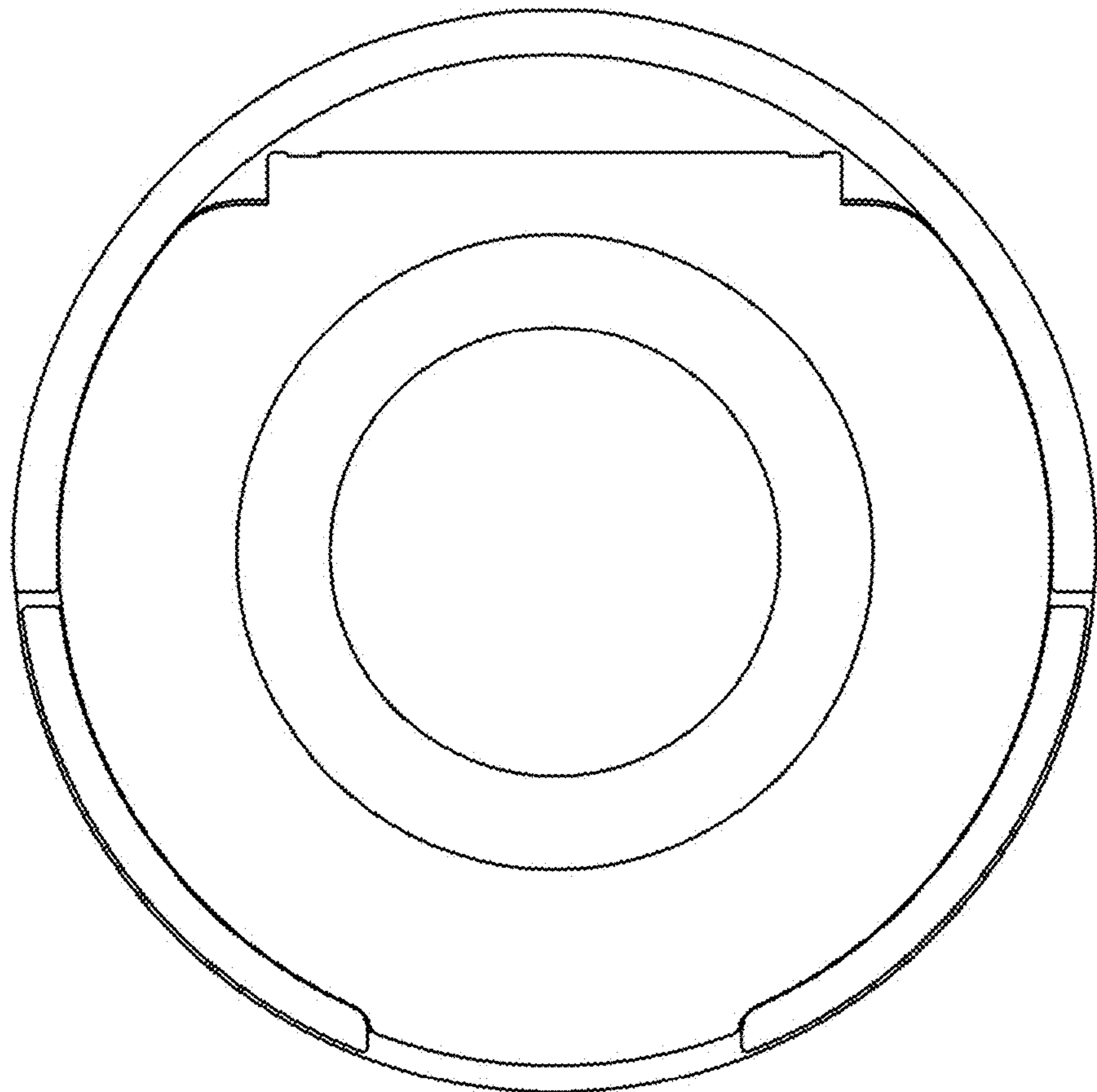
1.4



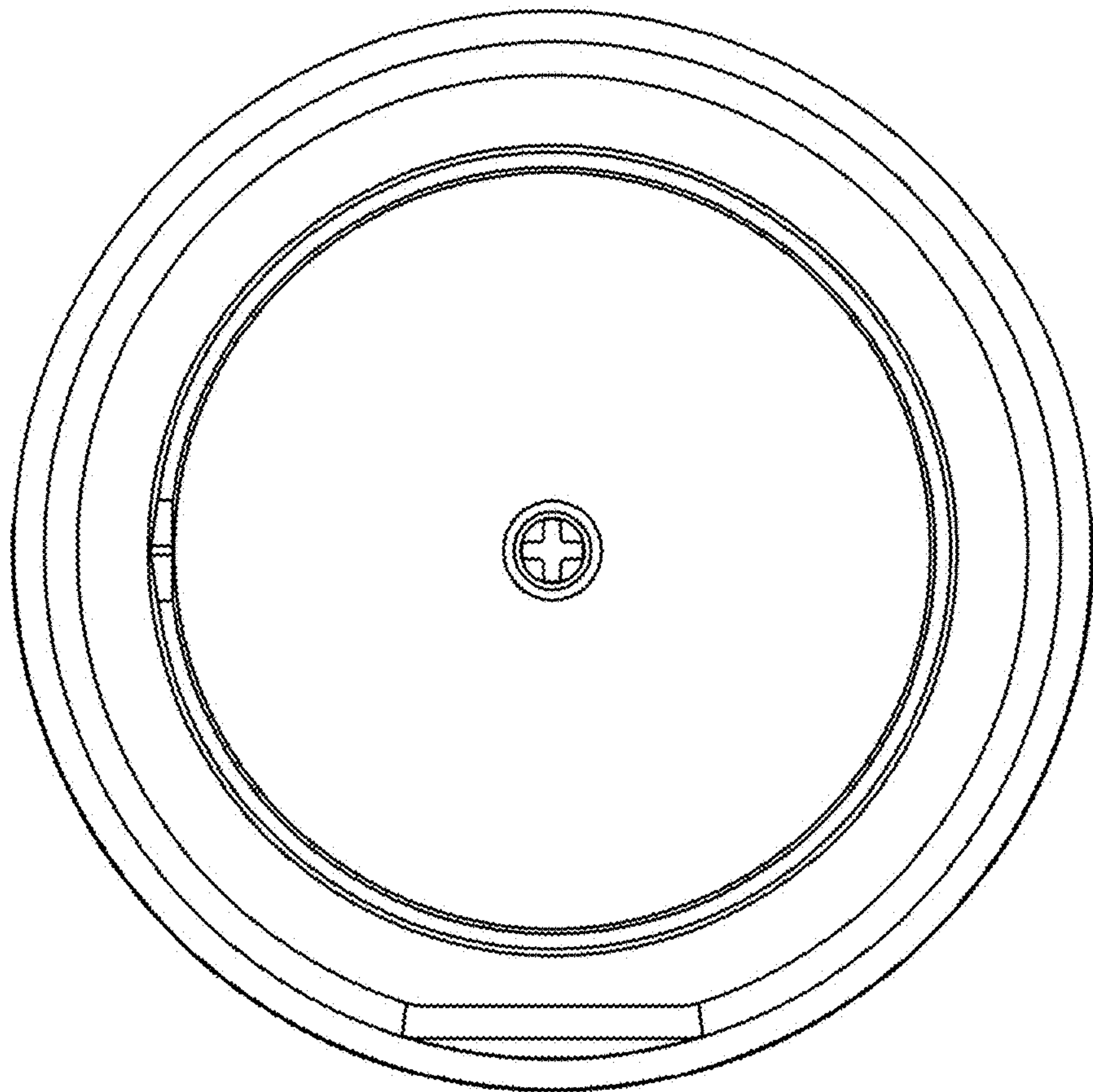
1.5



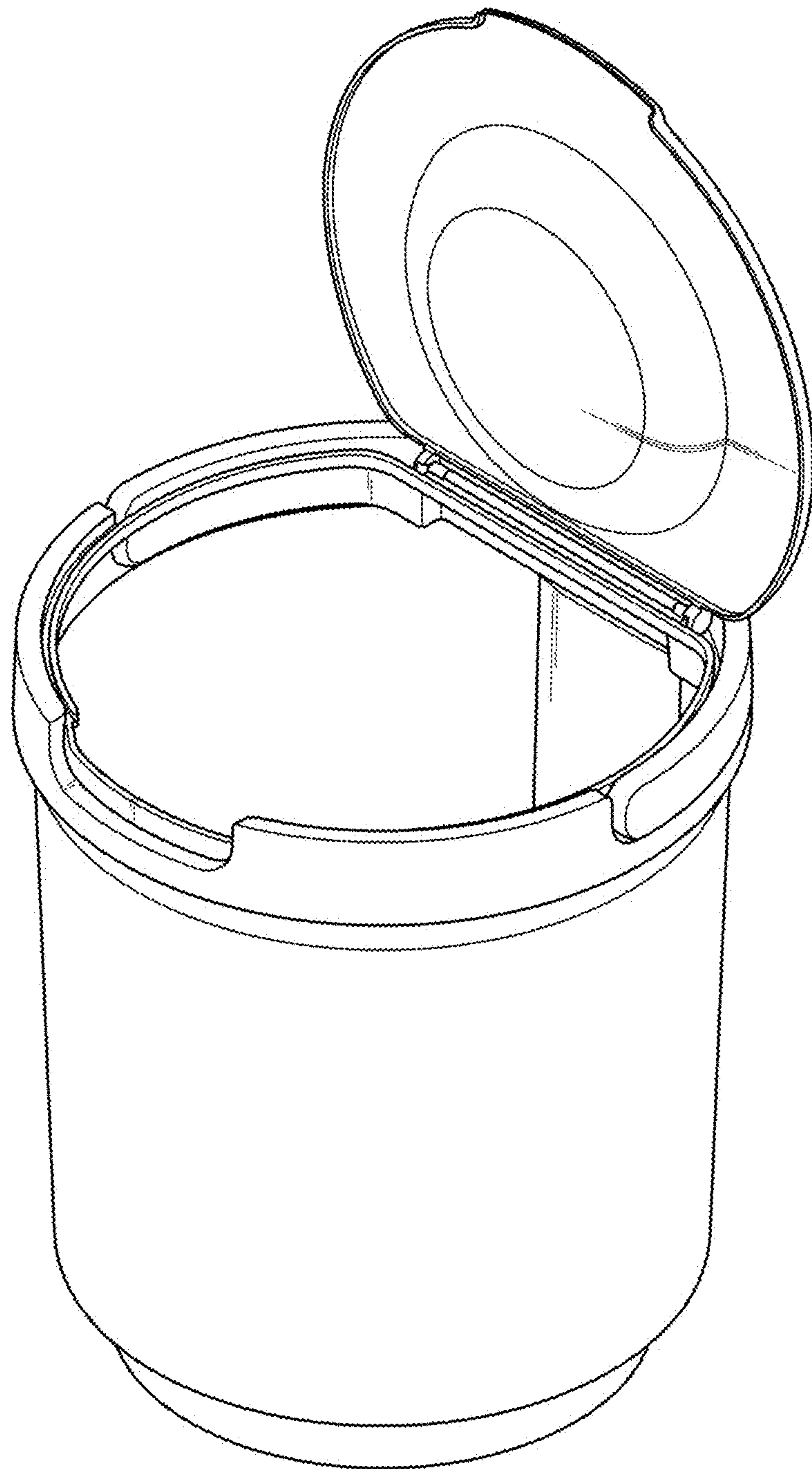
1.6



1.7



1.8



1.9

