

US00D898509S

(12) **United States Design Patent** (10) **Patent No.:** **US D898,509 S**  
**Barberi** (45) **Date of Patent:** **\*\* Oct. 13, 2020**

(54) **SIDE HANDLE FOR COOKWARE**  
(71) Applicant: **Meyer Intellectual Properties Limited,**  
Kowloon (HK)  
(72) Inventor: **Philip D. Barberi,** Vallejo, CA (US)  
(73) Assignee: **MEYER INTELLECTUAL**  
**PROPERTIES LIMITED,** Hong Kong  
(CN)

(\*\*) Term: **15 Years**

(21) Appl. No.: **29/661,729**

(22) Filed: **Aug. 30, 2018**

(51) **LOC (12) Cl.** ..... **07-99**

(52) **U.S. Cl.**  
USPC ..... **D7/393**

(58) **Field of Classification Search**  
USPC ..... D7/354-361, 393-395, 664, 401.2;  
D8/107, 300, 303, 307, 308, 321;  
D4/138, 129  
CPC ..... A47J 45/06; A47J 45/061; A47J 45/62;  
A47J 45/071; A47J 45/072; A47J 45/08;  
A47J 45/085  
See application file for complete search history.

(56) **References Cited**

**U.S. PATENT DOCUMENTS**

D461,092 S \* 8/2002 Coudurier ..... D7/393  
D615,350 S \* 5/2010 Munari ..... D7/394  
D620,748 S \* 8/2010 Munari ..... D7/394

D680,806 S \* 4/2013 Munari ..... D7/394  
D696,902 S \* 1/2014 Rae ..... D7/395  
D729,001 S \* 5/2015 Barberi ..... D7/394  
D732,887 S \* 6/2015 Munari ..... D7/394  
D776,479 S \* 1/2017 Munari ..... D7/394  
D809,859 S \* 2/2018 Munari ..... D7/394  
D818,311 S \* 5/2018 Munari ..... D7/393  
D830,120 S \* 10/2018 Munari ..... D7/394  
D845,065 S \* 4/2019 Barberi ..... D7/393

\* cited by examiner

*Primary Examiner* — Susan E Krakower

*Assistant Examiner* — Andrew Kerr

(74) *Attorney, Agent, or Firm* — Edward S. Sherman

(57) **CLAIM**

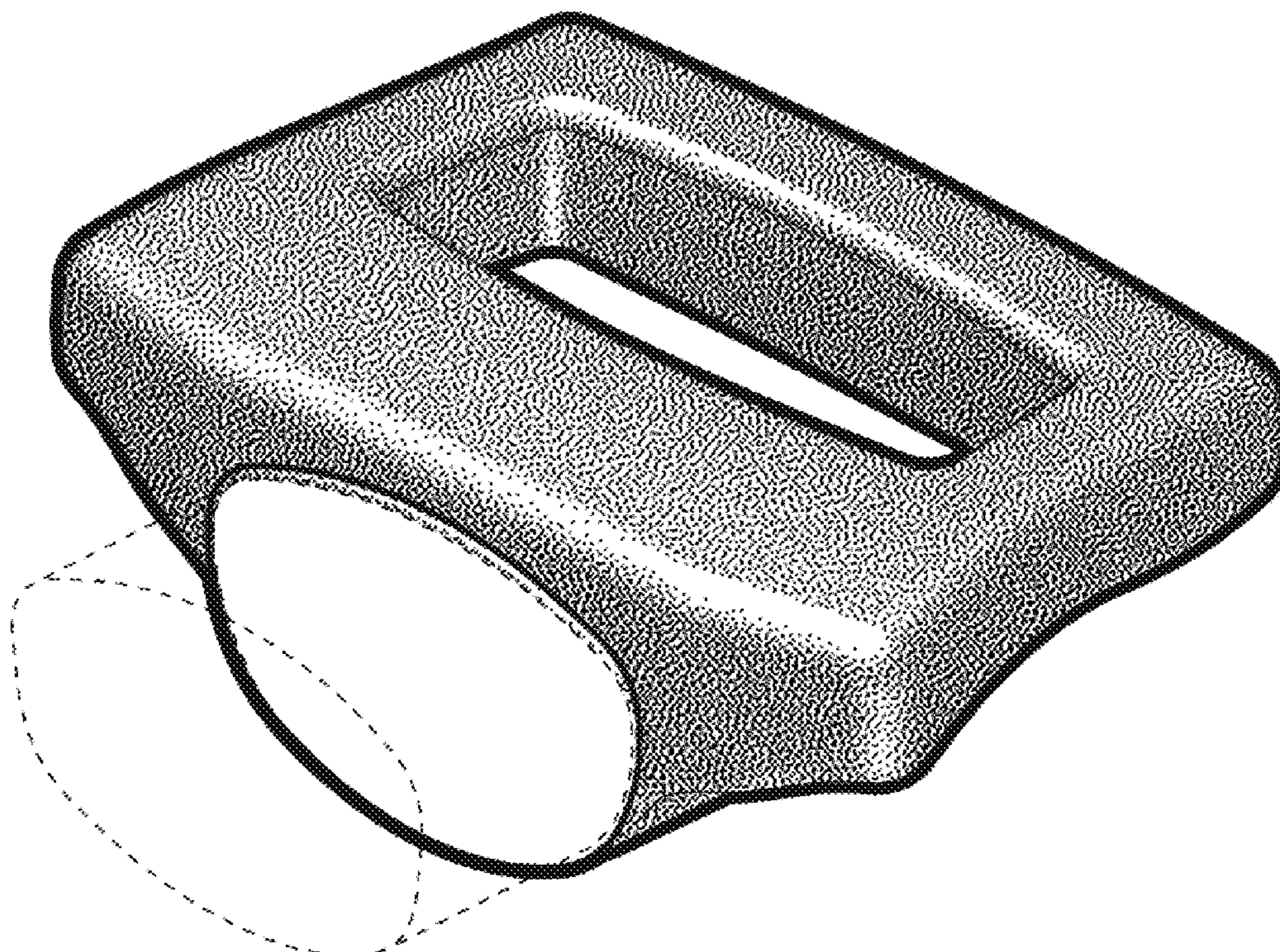
The ornamental design for an side handle for cookware, as shown and described.

**DESCRIPTION**

FIG. 1 is a perspective view of a side handle for cookware, showing my new design;  
FIG. 2 is a right side elevational view thereof, being the mirror image of the left side elevation view;  
FIG. 3 is a top plan view thereof;  
FIG. 4 is a bottom plan view thereof;  
FIG. 5 is a front elevation thereof;  
FIG. 6 is a back elevation view thereof; and,  
FIG. 7 is a cross-sectional side elevational view taken at section line 7-7 in FIG. 3.

The broken lines in FIGS. 1-7 depict a portion of the side handle for cookware that forms no part of the claimed design.

**1 Claim, 4 Drawing Sheets**



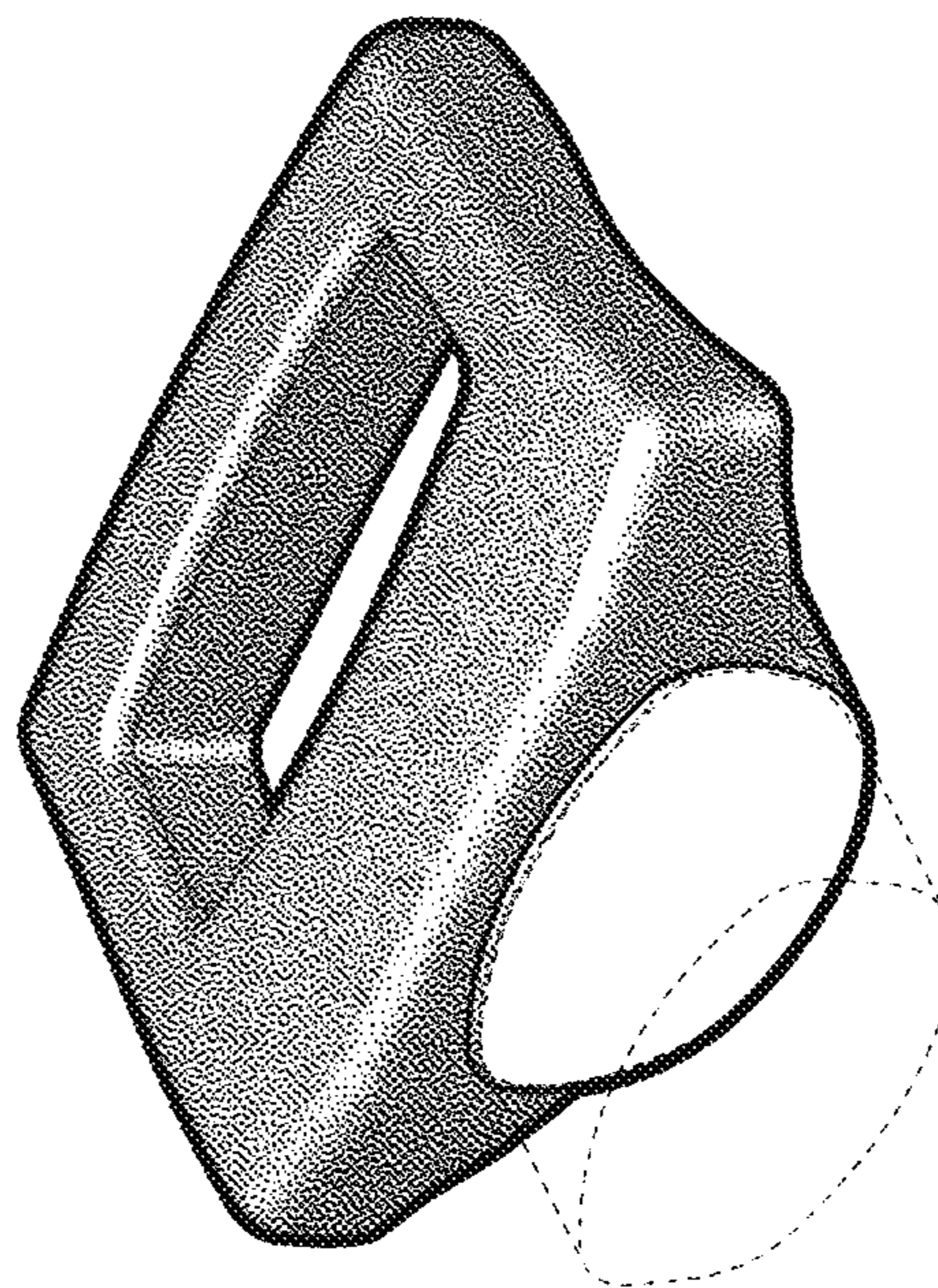


FIG. 1

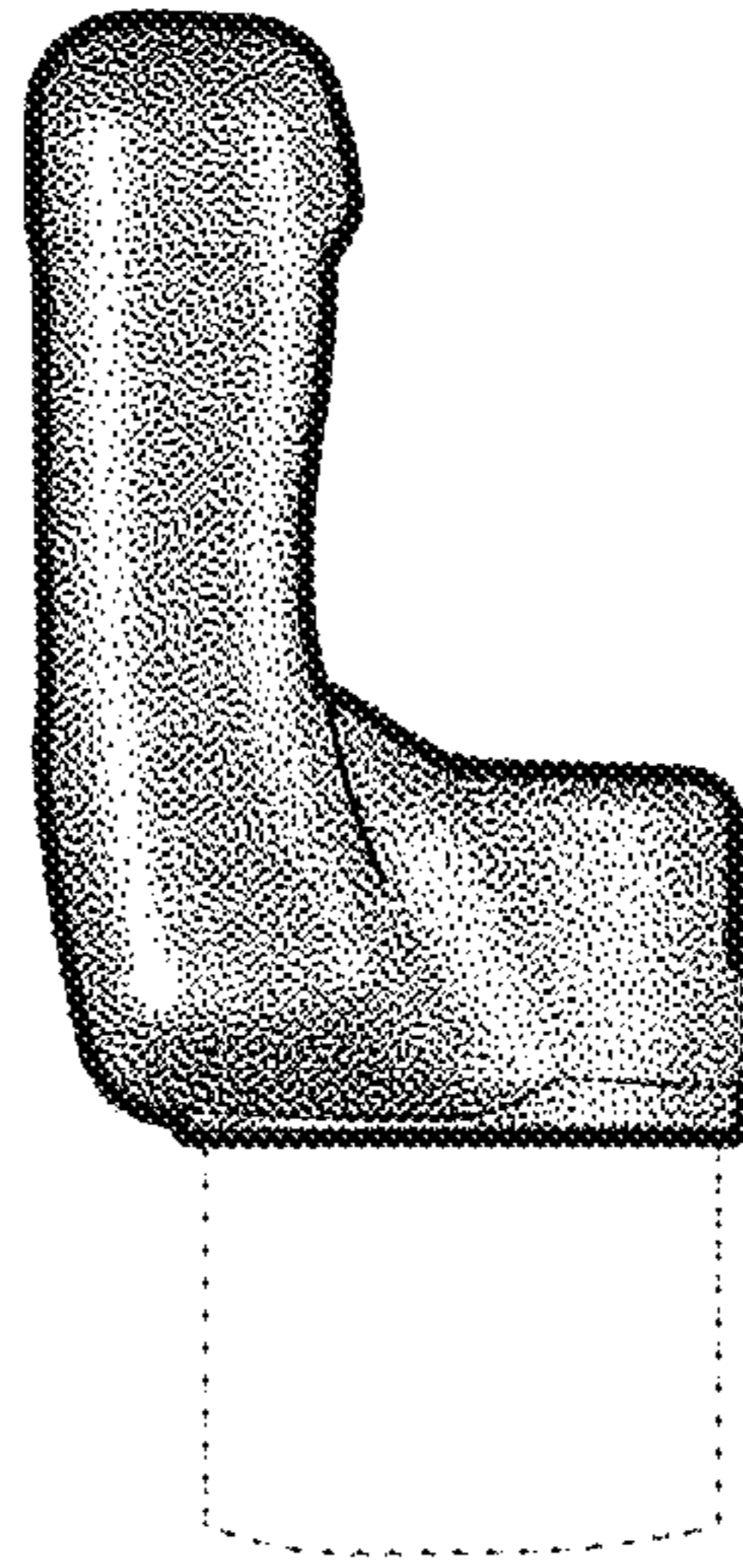


FIG. 2

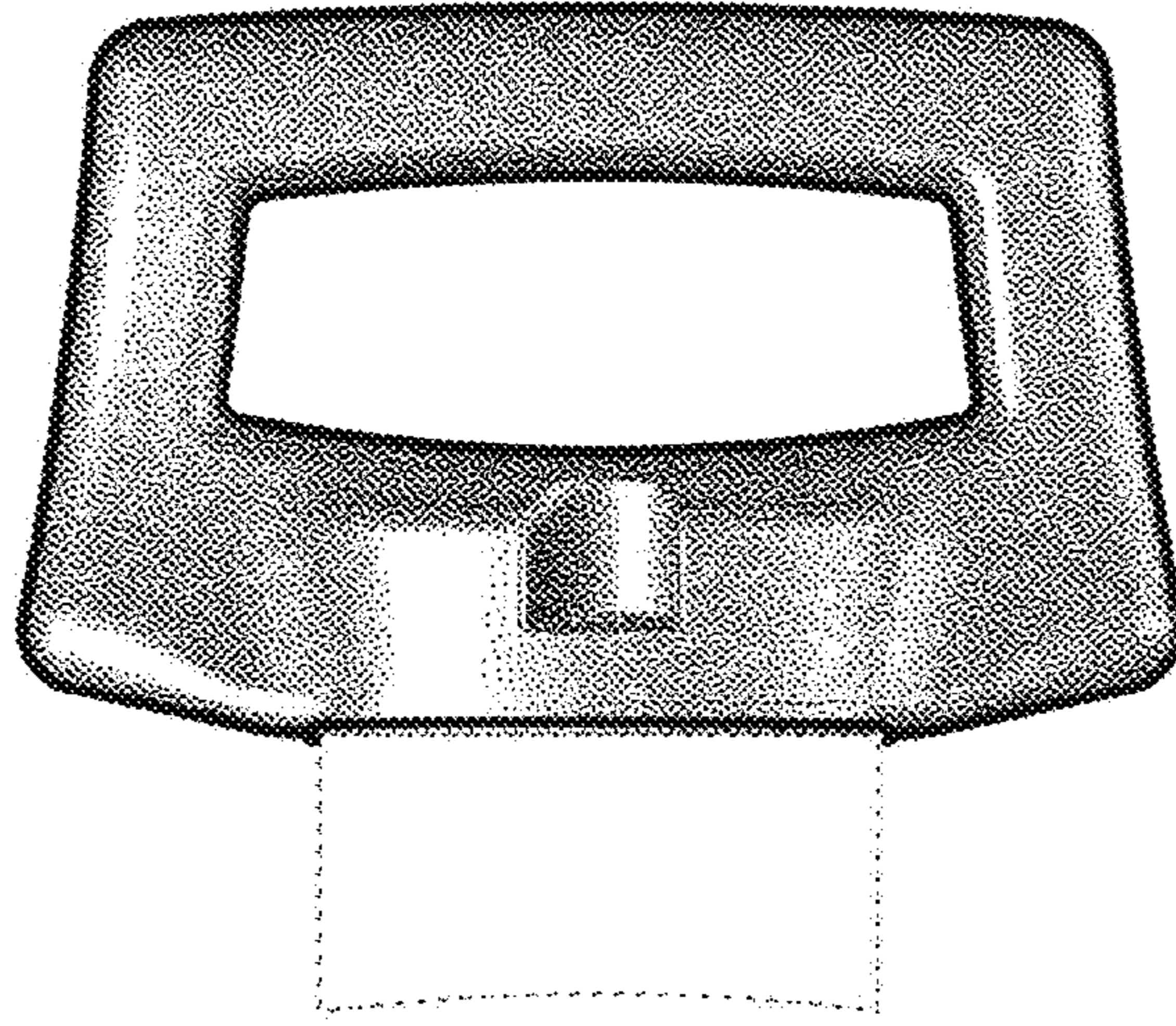


FIG.4

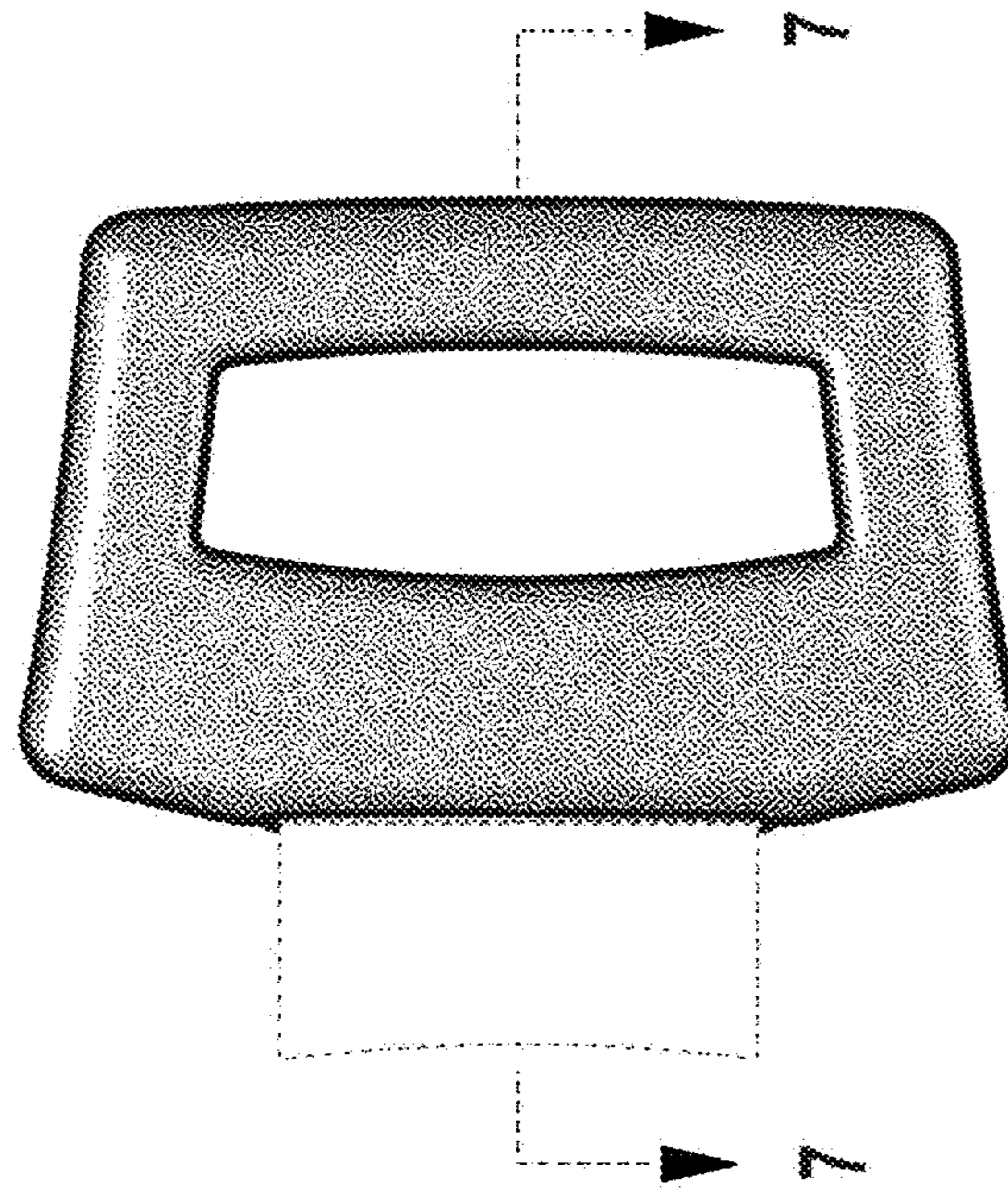


FIG.3

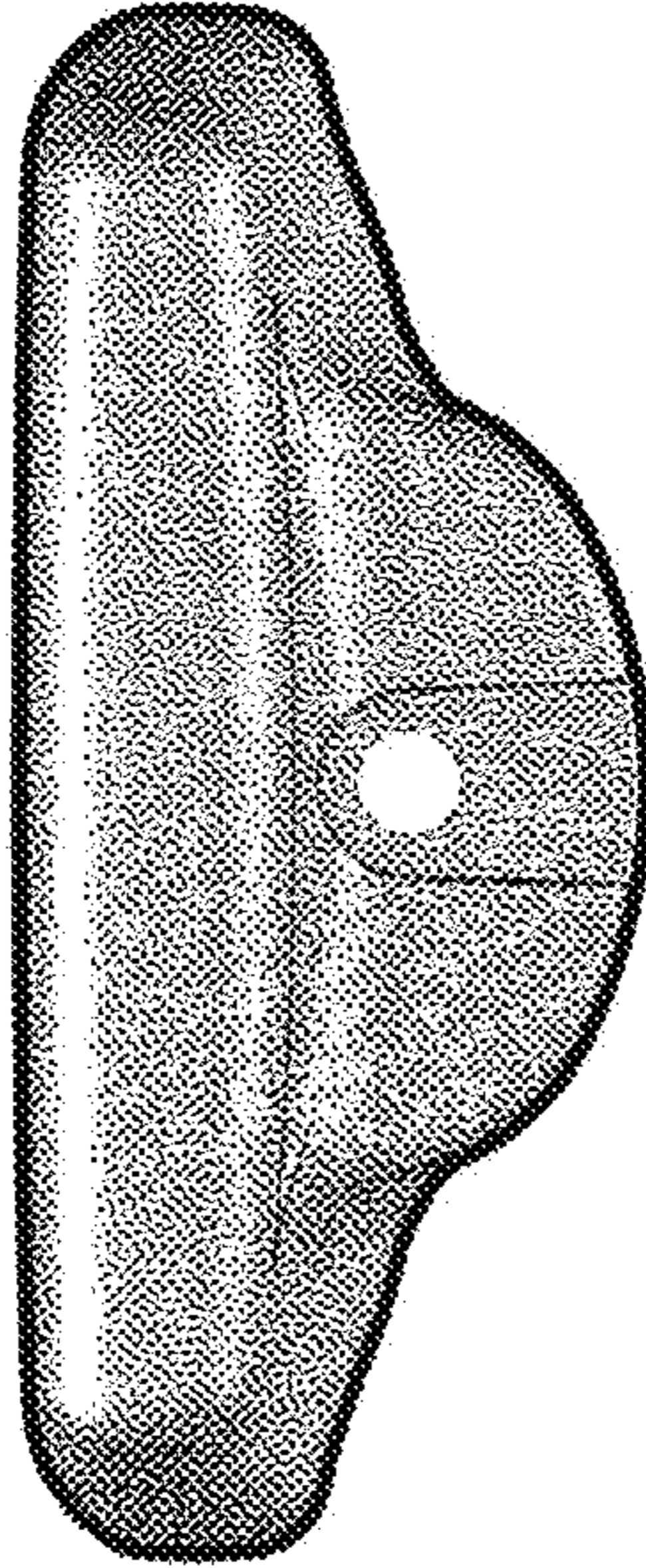


FIG. 6

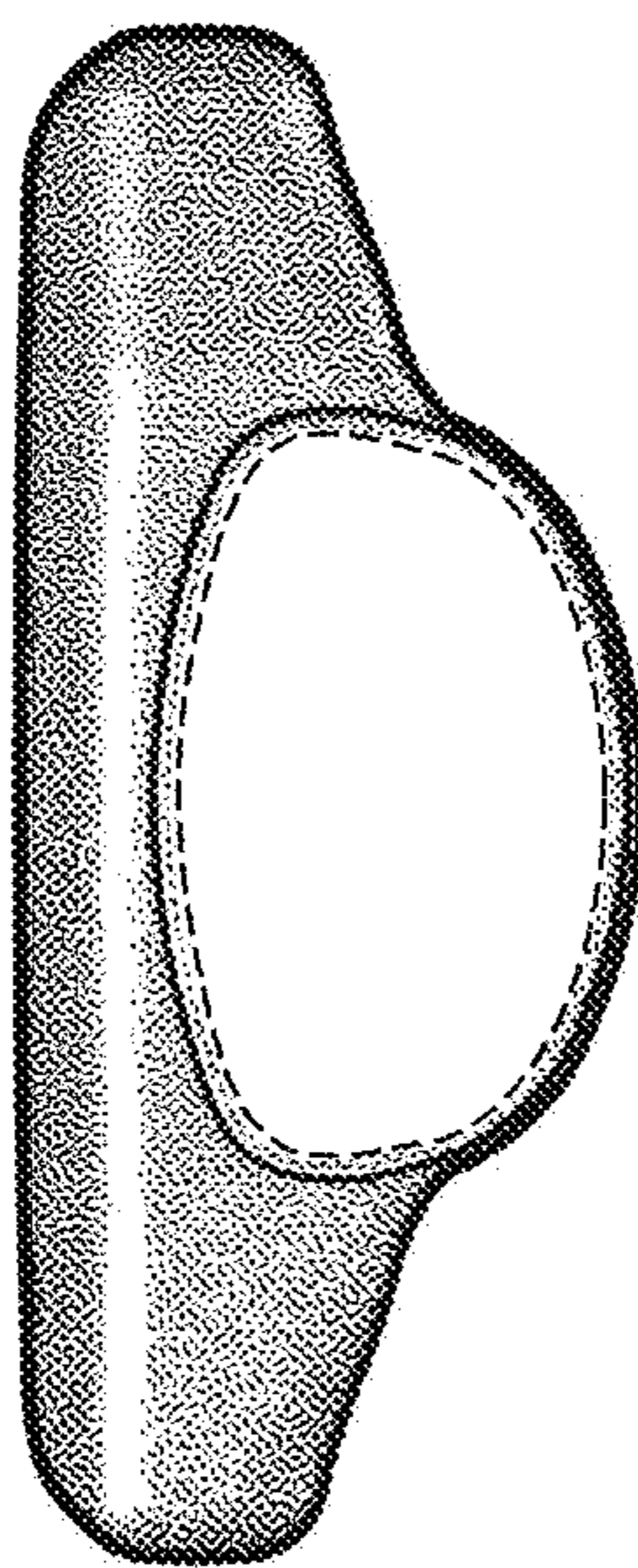


FIG. 5

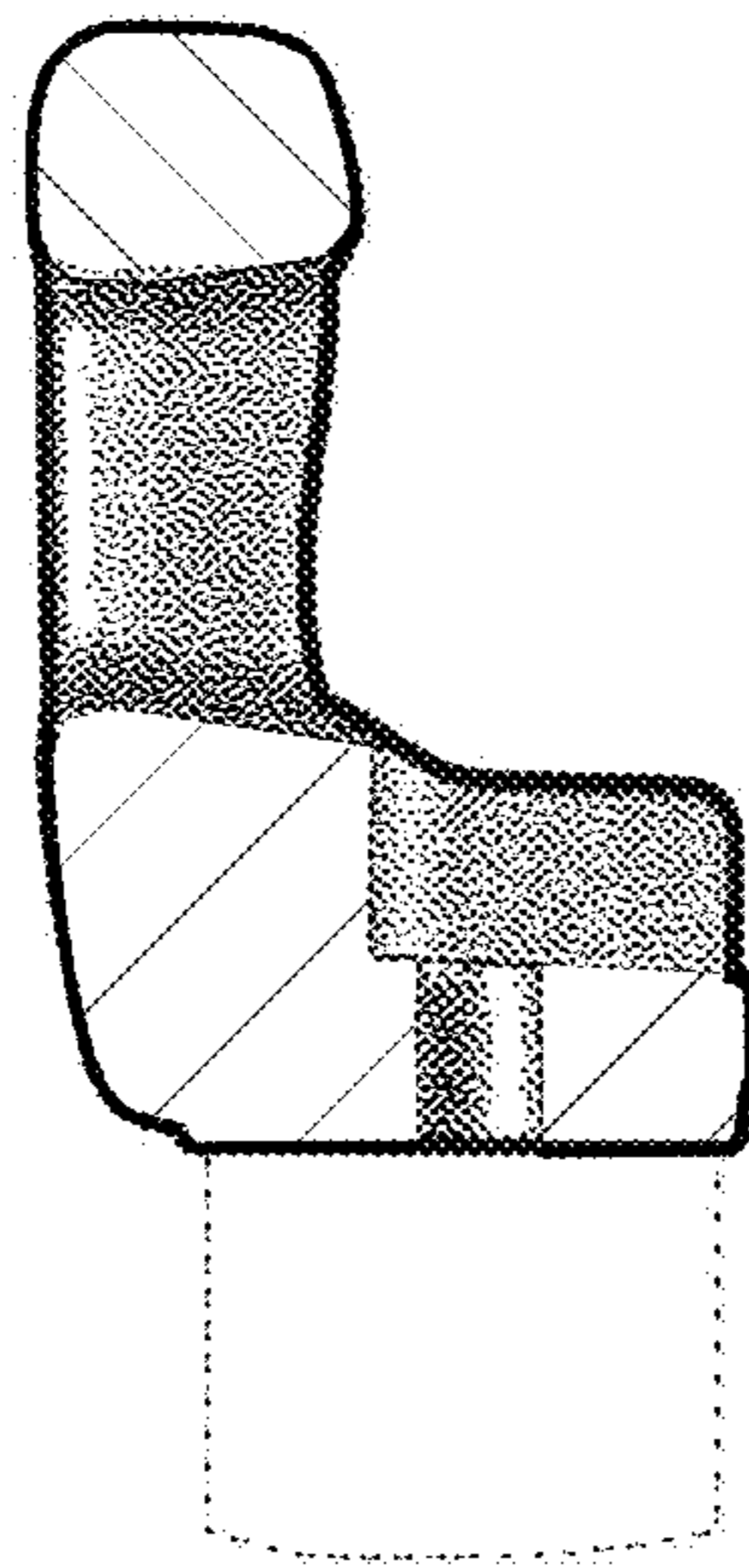


FIG. 7