



US00D898507S

(12) **United States Design Patent**
Eklblom

(10) **Patent No.:** **US D898,507 S**

(45) **Date of Patent:** **** Oct. 13, 2020**

(54) **BOTTLE TOP**

(71) Applicant: **Prima Holding Sverige AB**, Halmstad (SE)

(72) Inventor: **Marcus Eklblom**, Järfälla (SE)

(73) Assignee: **PRIMA HOLDING SVERIGE AB**, Halmstad (SE)

(**) Term: **15 Years**

(21) Appl. No.: **29/682,352**

(22) Filed: **Mar. 4, 2019**

(30) **Foreign Application Priority Data**

Sep. 10, 2018 (EM) 005635737

(51) **LOC (12) Cl.** **07-99**

(52) **U.S. Cl.**
USPC **D7/392.1; D7/396.2; D9/443; D9/447**

(58) **Field of Classification Search**
USPC D9/414, 415, 432, 434, 435, 443-453, D9/455-457, 499, 503, 504, 682, 685, D9/686; D7/387, 391, 392, 392.1, 394, D7/396.1-396.4, 506, 507, 509-511, 538, D7/900; D3/202, 203.2, 294, 318; D28/91, 91.1

CPC .. A61J 1/00; A61J 1/1412; B65D 1/00; B65D 1/02; B65D 1/10; B65D 1/46; B65D 5/46; B65D 41/00; B65D 41/38; B65D 41/56; B65D 41/62; B65D 47/00; B65D 47/06; B65D 47/08; B65D 2251/00; B65D 2543/00046; B65D 2543/00092; B65D 2543/00296; B65D 2585/56; B65D 2585/545

See application file for complete search history.

(56) **References Cited**

U.S. PATENT DOCUMENTS

D626,837 S * 11/2010 Meyers D9/443
D626,838 S * 11/2010 Meyers D9/443

D688,520 S * 8/2013 Lin D7/300.1
D691,849 S * 10/2013 Cetera D9/447
D696,551 S * 12/2013 Meyers D7/392.1
D702,489 S * 4/2014 Steel D7/392
D730,694 S * 6/2015 Elsaden D7/511
D742,230 S * 11/2015 Charles D7/396.2
D745,827 S * 12/2015 Sorensen D7/392.1
D748,430 S * 2/2016 Sorensen D7/392.1
D748,478 S * 2/2016 Sorensen D9/443
D752,382 S * 3/2016 Ksiazek D9/449
D752,390 S * 3/2016 Ksiazek D7/300.1
D771,990 S * 11/2016 Horowitz D7/300.1
D802,993 S * 11/2017 Joseph D7/392.1
D808,216 S * 1/2018 Holowaychuk D7/391
D820,038 S * 6/2018 Sorensen D9/449
D833,224 S * 11/2018 Wahlkvist D7/510

(Continued)

Primary Examiner — Wendy L Arminio

(74) *Attorney, Agent, or Firm* — Tucker Ellis LLP

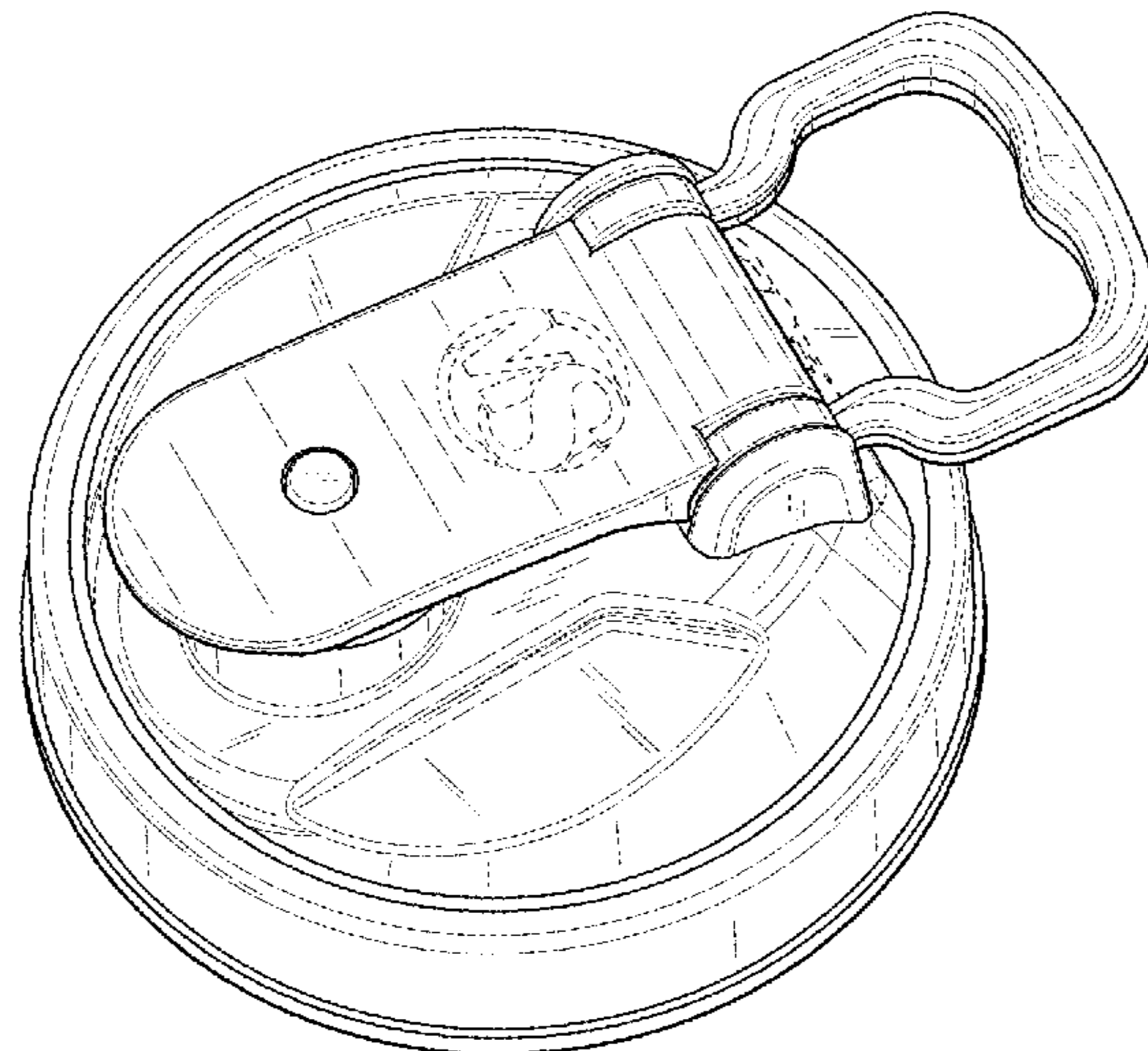
(57) **CLAIM**

The ornamental design for a bottle top, as shown and described.

DESCRIPTION

FIG. 1 is a top-front-left perspective view of a bottle top showing my new design;
FIG. 2 is a bottom-front-left perspective view thereof;
FIG. 3 is a top view thereof;
FIG. 4 is a left side view thereof;
FIG. 5 is a right side view thereof;
FIG. 6 is a rear view thereof; and,
FIG. 7 is a front view thereof.
The broken line in FIG. 2 depicts the boundary of the claim that, along with the space contained inside of it, form no part of the claimed design. The remaining broken lines are for the purpose of illustrating portions of the bottle top that form no part of the claimed design.

1 Claim, 4 Drawing Sheets



(56)

References Cited

U.S. PATENT DOCUMENTS

D839,663 S * 2/2019 Hu D7/391
D854,880 S * 7/2019 Meyers D7/392.1
D864,657 S * 10/2019 Omdahl, II D7/392.1
2011/0253733 A1* 10/2011 Meyers B65D 51/242
220/833
2014/0069918 A1* 3/2014 Meyers B65D 51/242
220/212.5
2014/0360908 A1* 12/2014 Sorensen B65D 21/0228
206/501
2015/0201774 A1* 7/2015 Sorensen A47G 19/2266
220/715
2017/0225850 A1* 8/2017 Sorensen B65D 47/0895

* cited by examiner

FIG. 1

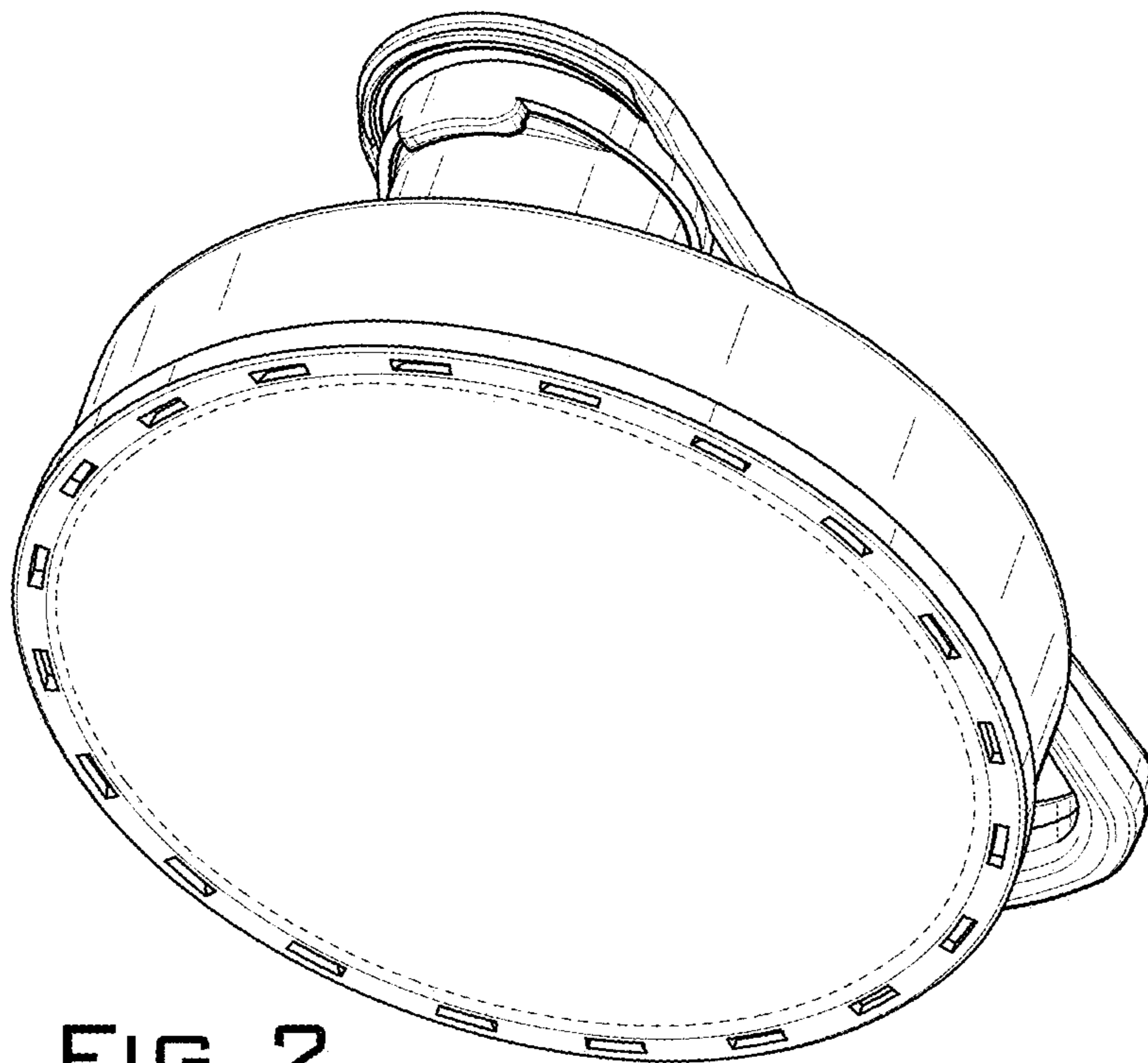
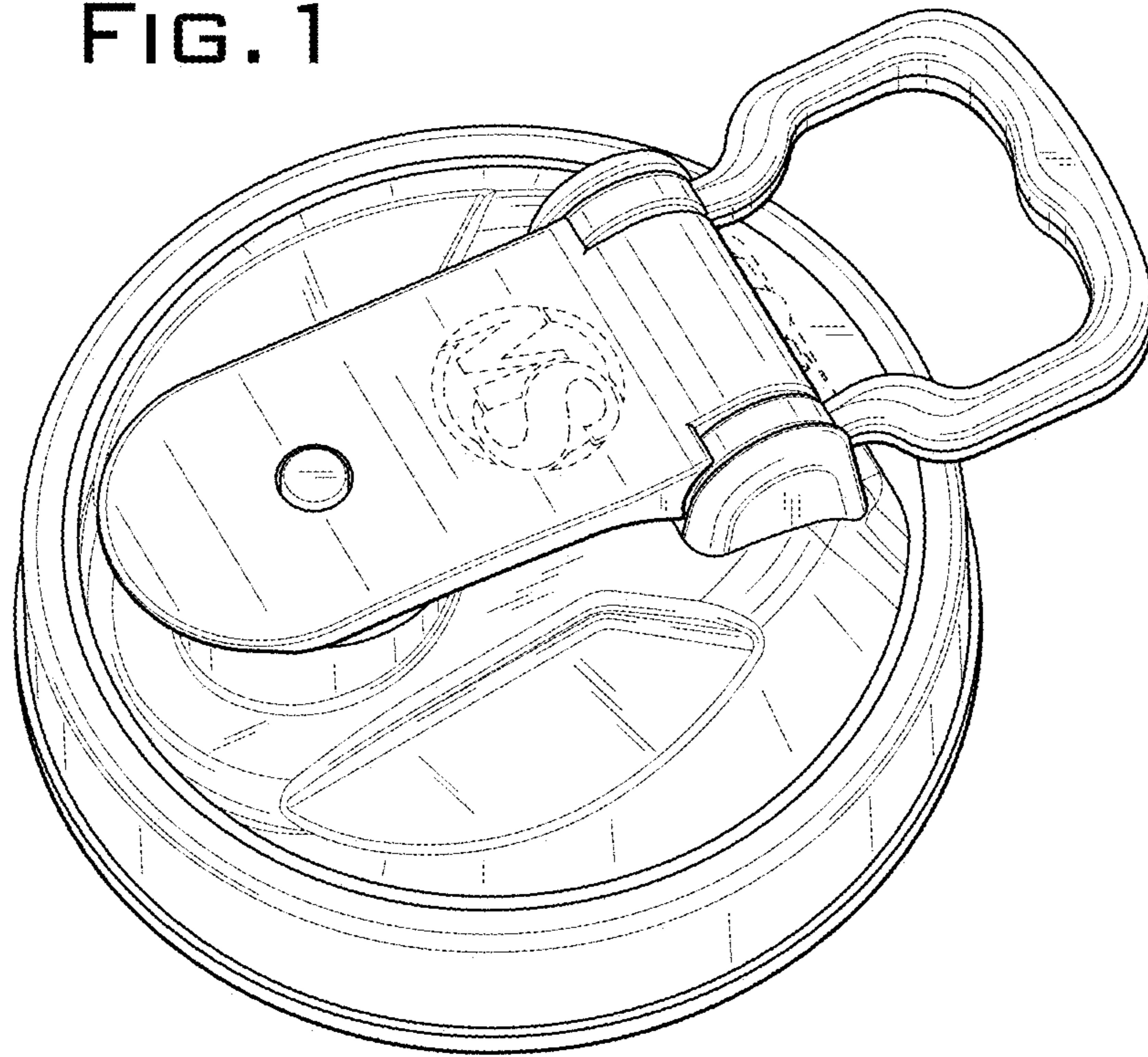


FIG. 2

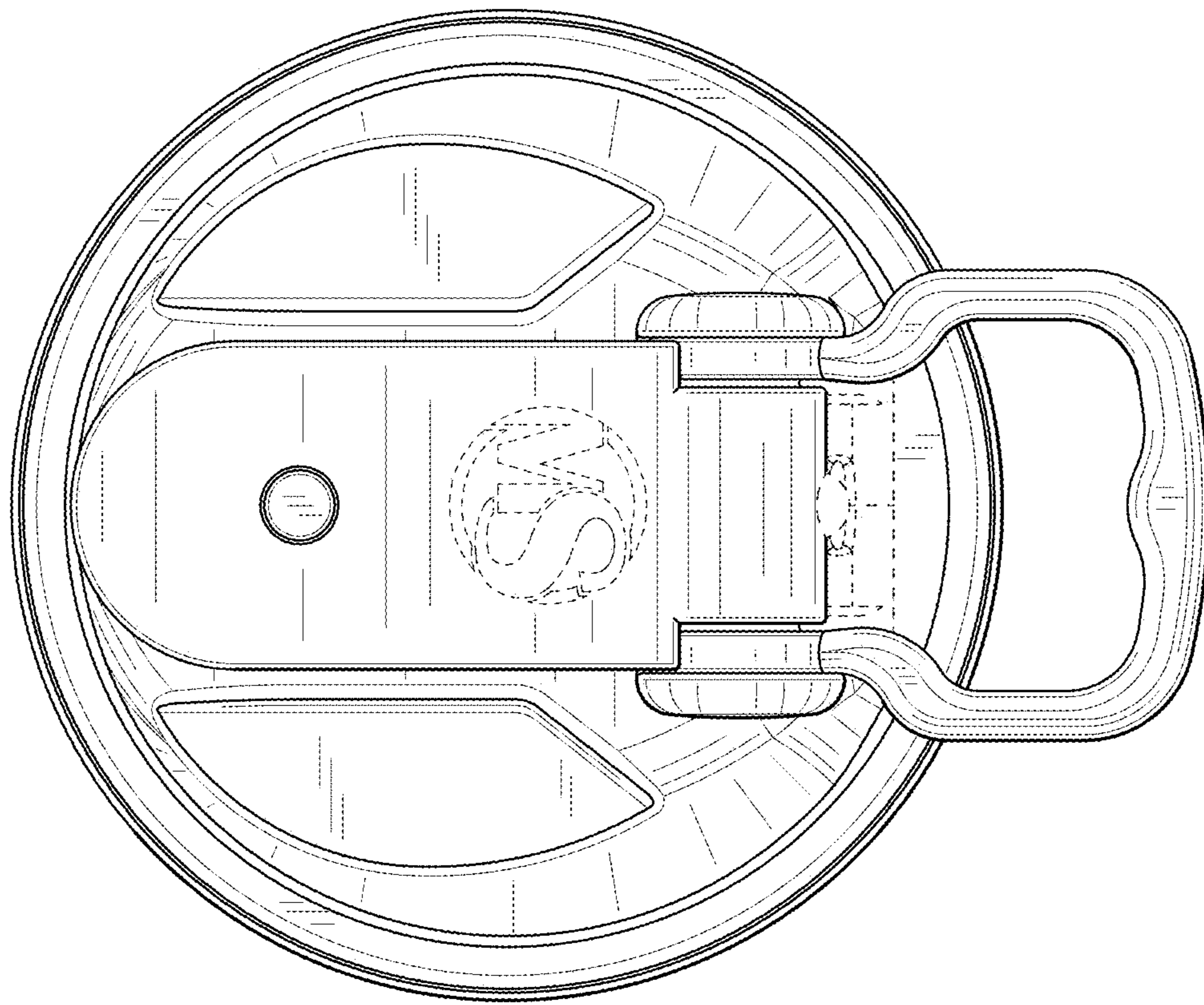


FIG. 3

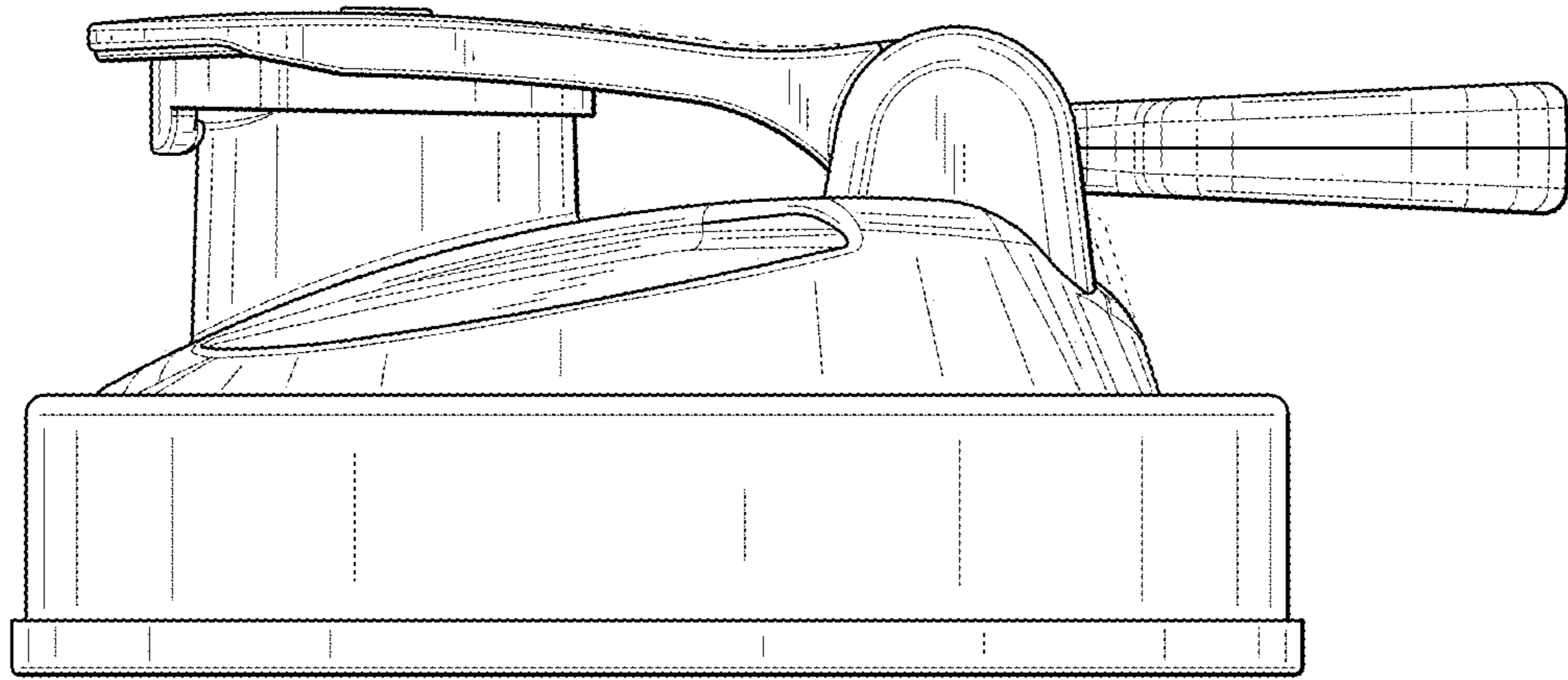


FIG. 4

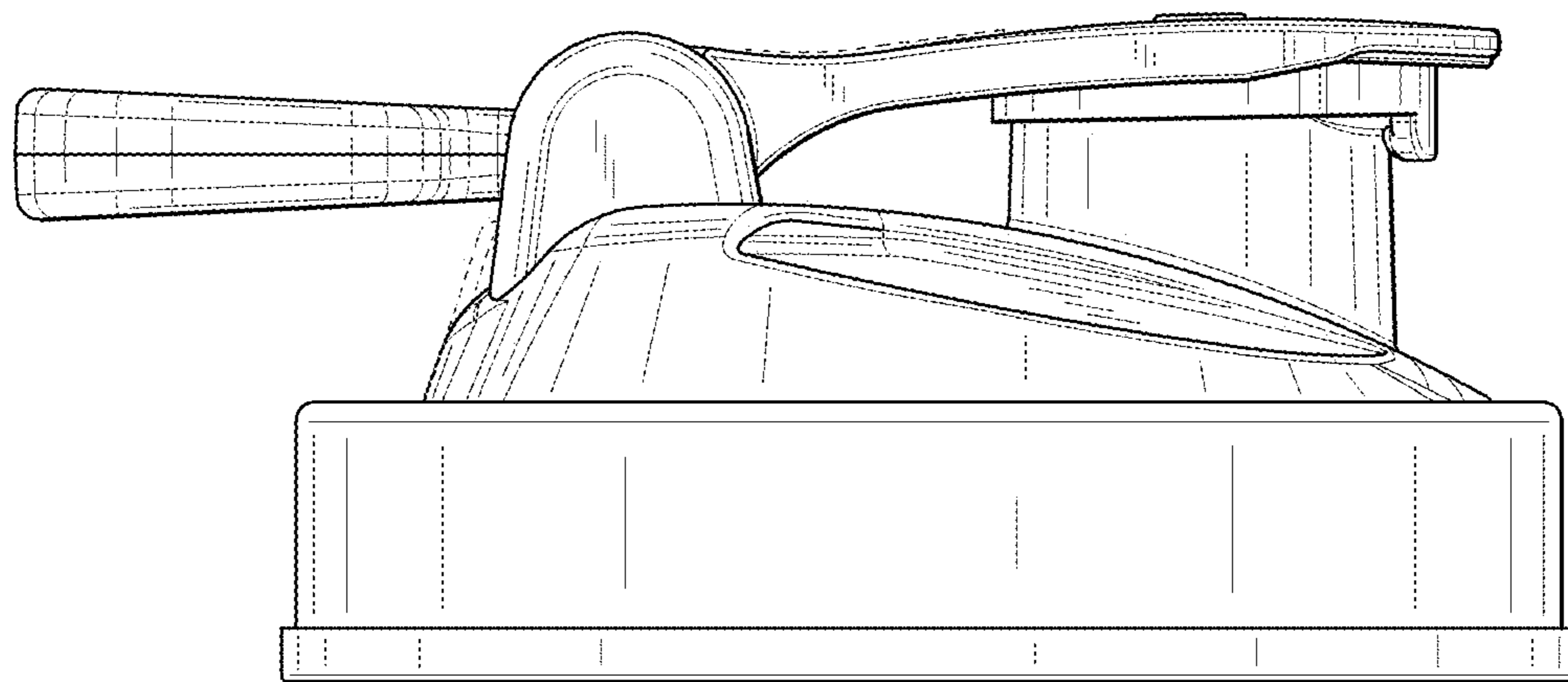


FIG. 5

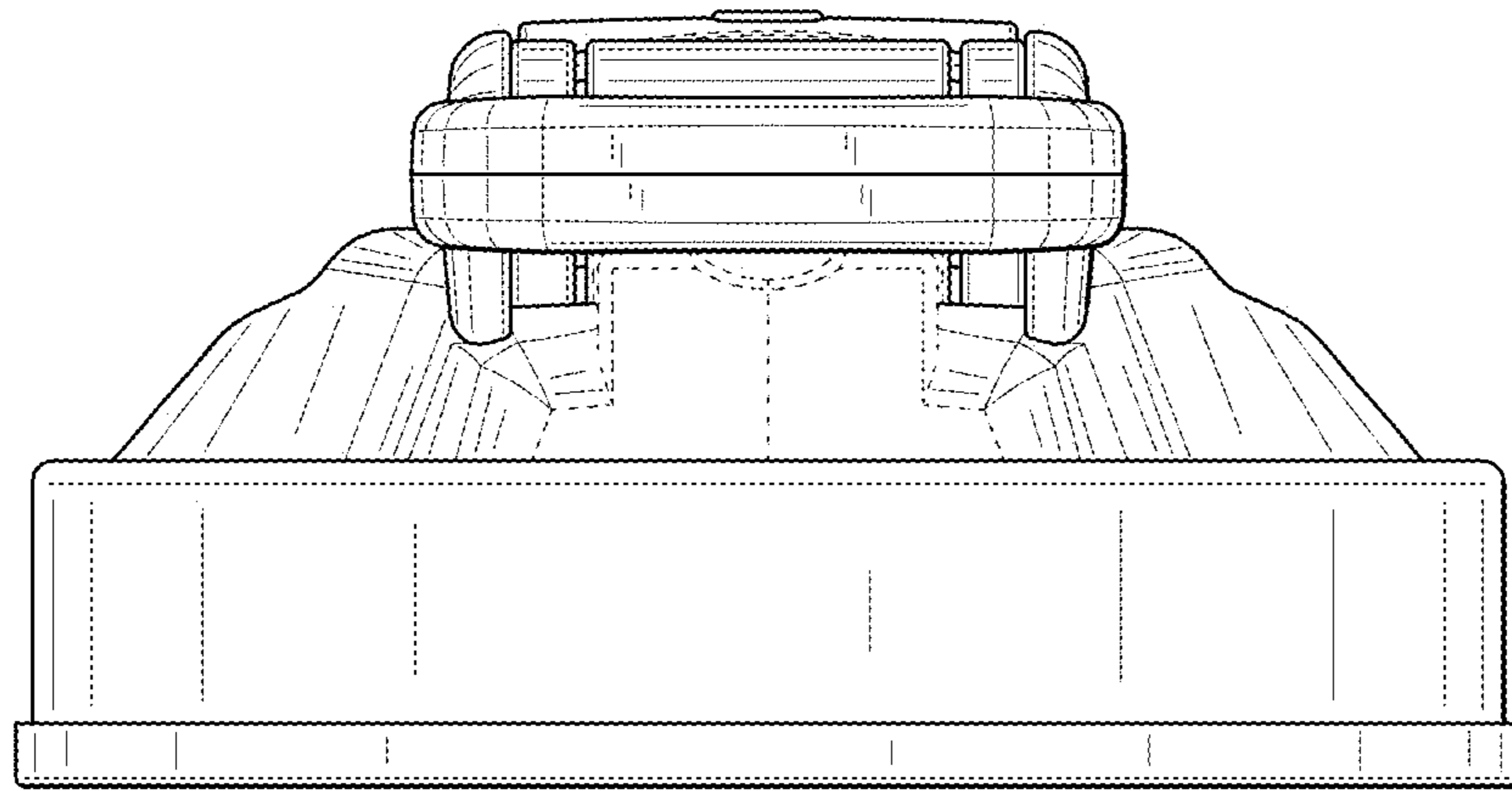


FIG. 6

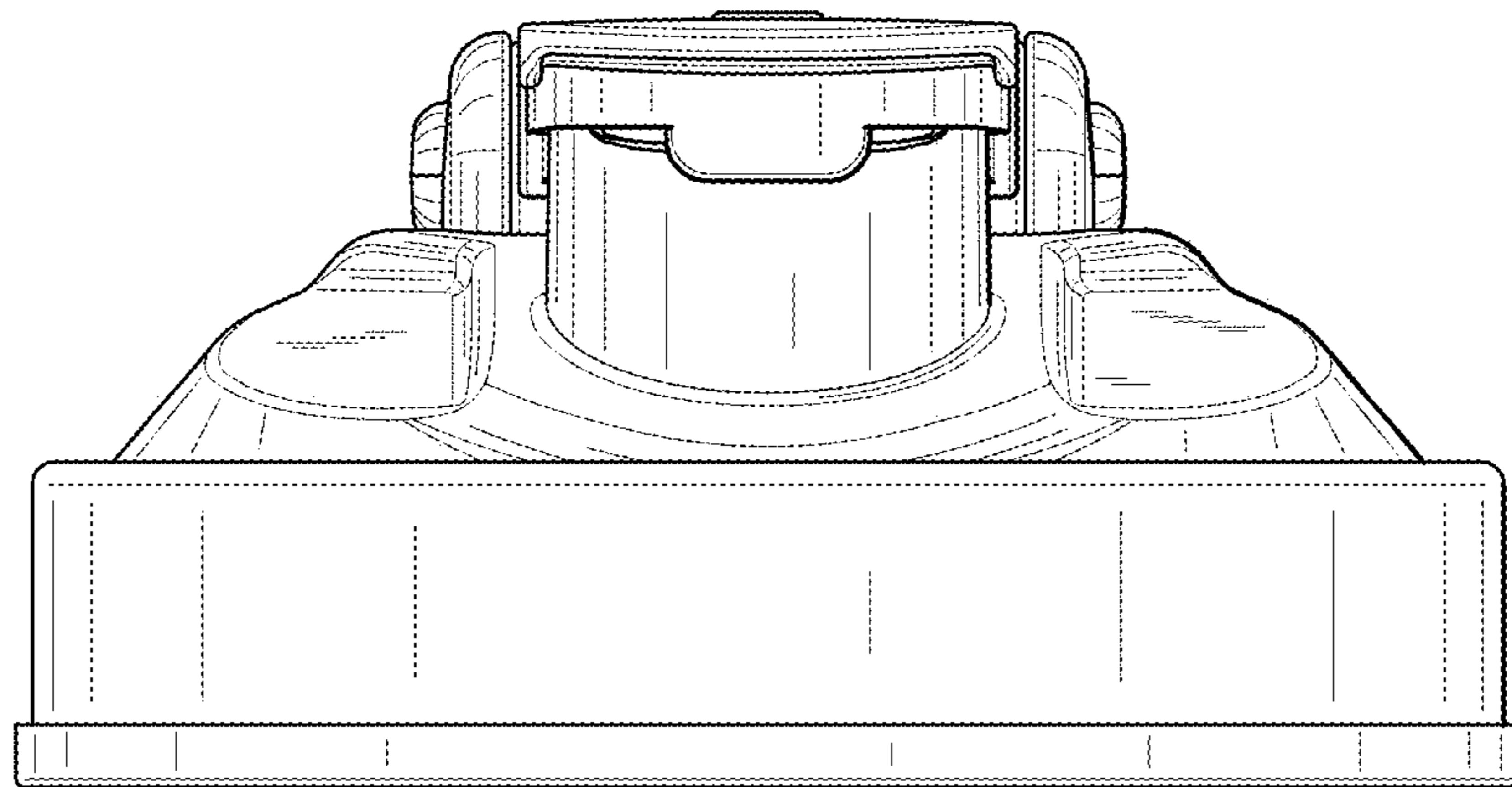


FIG. 7