



US00D898506S

(12) **United States Design Patent** (10) **Patent No.:** **US D898,506 S**
Perman et al. (45) **Date of Patent:** **** Oct. 13, 2020**

- (54) **BOTTLE CLOSURE**
- (71) Applicant: **O2COOL, LLC**, Chicago, IL (US)
- (72) Inventors: **Klas Fredrik Perman**, Raleigh, NC (US); **Robert Shanks**, Raleigh, NC (US); **Aly Gamil Khalifa**, Raleigh, NC (US)
- (73) Assignee: **O2COOL, LLC**, Chicago, IL (US)
- (**) Term: **15 Years**
- (21) Appl. No.: **29/660,474**
- (22) Filed: **Aug. 21, 2018**
- (51) **LOC (12) Cl.** **07-99**
- (52) **U.S. Cl.**
USPC **D7/392.1; D7/392**
- (58) **Field of Classification Search**
USPC D7/387, 391, 394, 396.2, 509-511, 538, D7/900; D3/201, 202; D9/434, 435, D9/436, 439, 440, 442, 443, 446-450, D9/499, 686
CPC .. A61J 1/00; A61J 1/1412; B65D 1/00; B65D 1/02; B65D 1/10; B65D 1/46; B65D 2585/56; B65D 2585/545; B65D 41/00; B65D 41/38; B65D 41/56; B65D 41/62; B65D 47/00; B65D 47/06; B65D 47/08; B65D 2543/00046; B65D 2543/00092; B65D 2543/00296; B65D 5/46; B65D 2251/00
See application file for complete search history.

D801,746 S *	11/2017	Thuma	D7/392.1
D803,619 S *	11/2017	Seiders	D7/392.1
D810,503 S *	2/2018	Murosky	D7/392.1
D815,893 S *	4/2018	Seiders	D7/396.2
D819,406 S *	6/2018	Rivera	D7/532
D822,428 S *	7/2018	Thuma	D7/392.1
D850,192 S *	6/2019	Jacobsen	D7/396.2

(Continued)

Primary Examiner — Karen S Acker
Assistant Examiner — Steven B Reinholdt, Jr.
(74) *Attorney, Agent, or Firm* — Thompson Coburn LLP

(57) **CLAIM**

The ornamental design for a bottle closure, as shown and described.

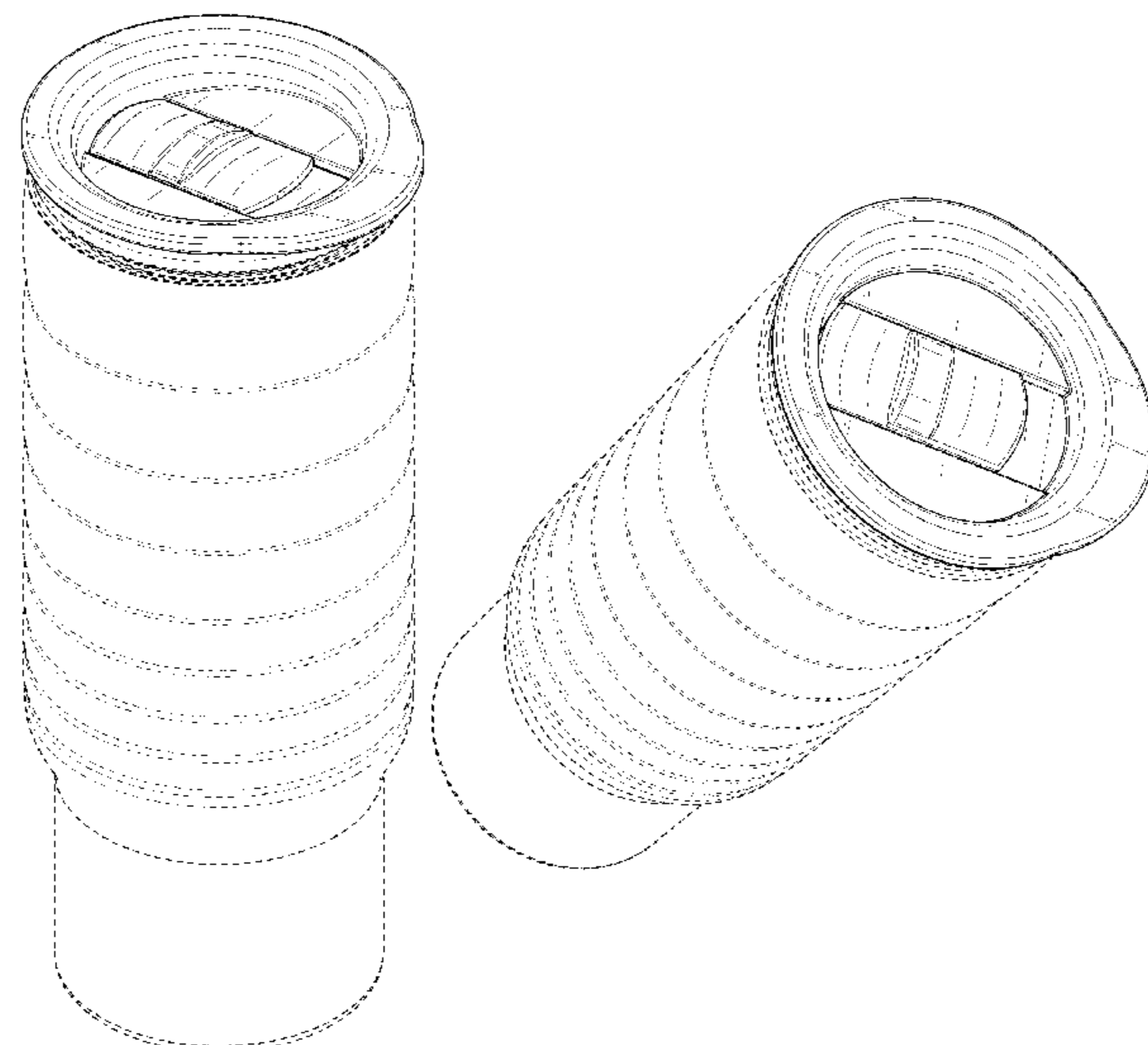
DESCRIPTION

FIG. 1 is a first perspective view of a bottle closure showing our new design;
 FIG. 2 is a front view thereof;
 FIG. 3 is a rear view thereof;
 FIG. 4 is a left side view thereof;
 FIG. 5 is a right side view thereof;
 FIG. 6 is a bottom view thereof;
 FIG. 7 is a top view thereof;
 FIG. 8 is a second perspective view thereof;
 FIG. 9 is a third perspective view thereof;
 FIG. 10 is a cross-sectional view thereof taken along line 10-10 of FIG. 7; and,
 FIG. 11 is a cross-sectional view thereof taken along line 11-11 of FIG. 7 (the view in the opposite direction of the line 11-11 is a mirror image thereof).
 The broken lines immediately adjacent the shaded areas depict portions of the bottle closure that are not included in the claim. The oblique broken lines depict portions of the interior of the bottle closure in FIGS. 10 and 11 that form no part of the claimed design. All other broken lines illustrate the environment of the outer profile and interior of a bottle that forms no part of the claimed design.

1 Claim, 10 Drawing Sheets

(56) **References Cited**
U.S. PATENT DOCUMENTS

D327,808 S *	7/1992	Kline	D7/391
D416,755 S *	11/1999	Trombly	D7/391
D614,439 S *	4/2010	Olivari	D7/392.1
D715,100 S *	10/2014	Eyal	D7/510
D721,921 S *	2/2015	Stokols	D7/511
D751,341 S *	3/2016	Seiders	D7/396.2



(56)

References Cited

U.S. PATENT DOCUMENTS

D867,057 S * 11/2019 Spivey D7/392
2017/0121074 A1 * 5/2017 Seiders A47G 19/2272
2017/0273484 A1 * 9/2017 Spivey B65D 43/16

* cited by examiner

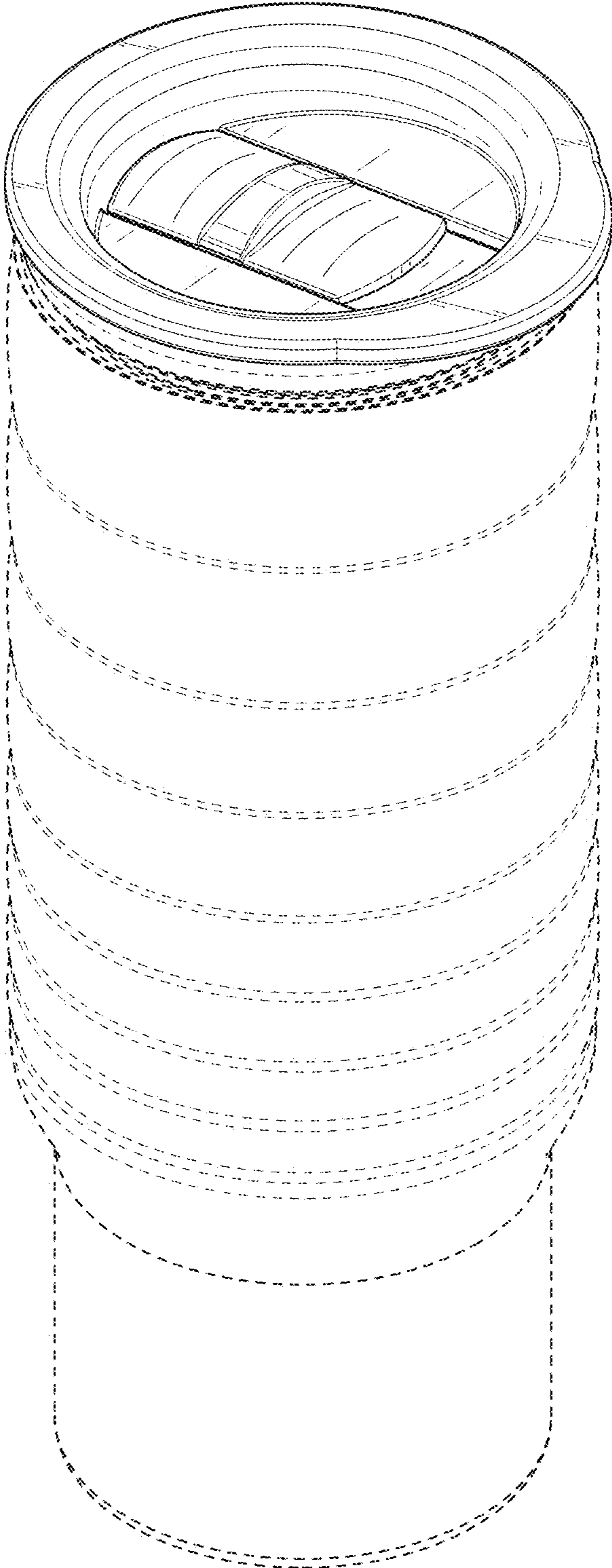


FIG. 1

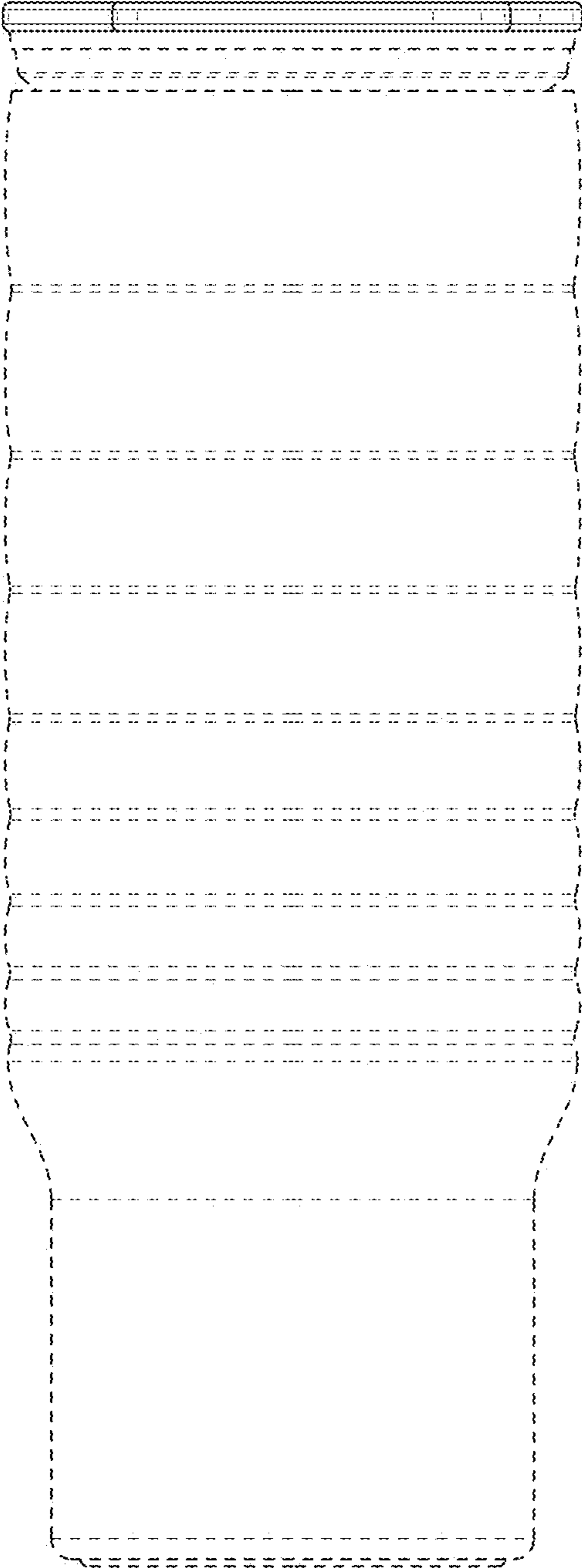


FIG. 2

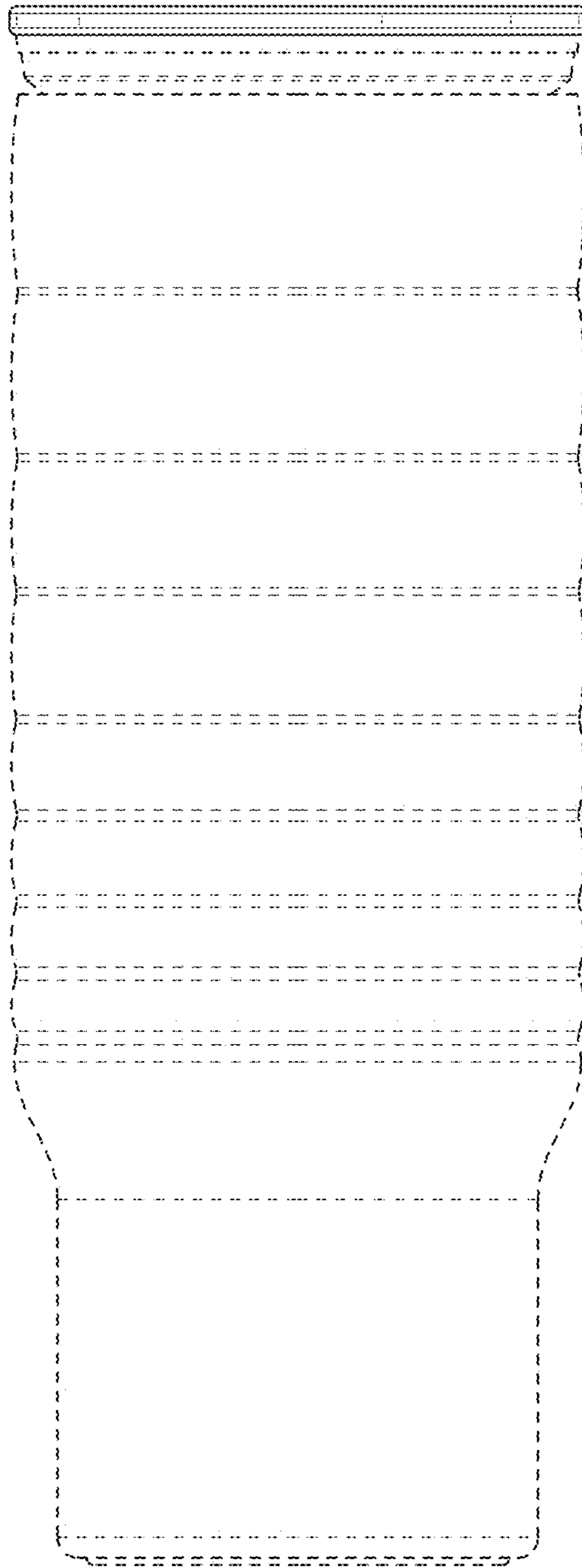


FIG. 3

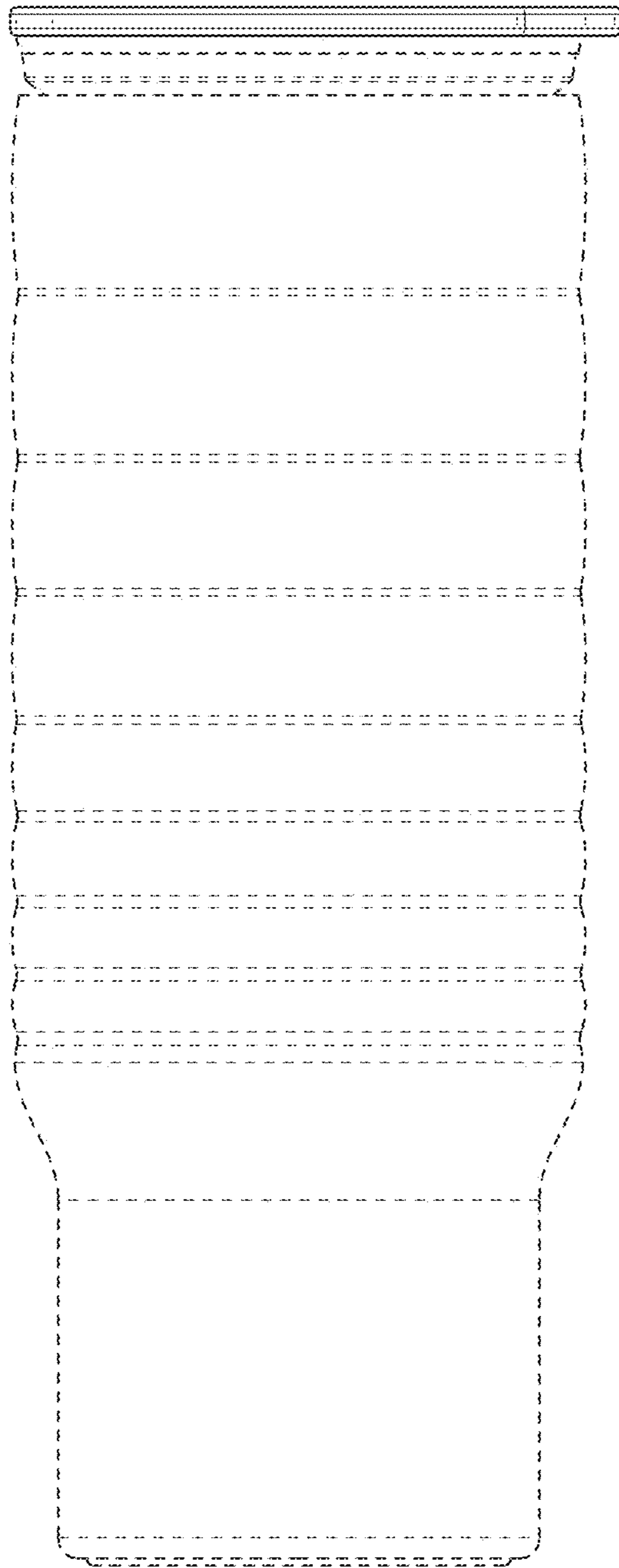


FIG. 4

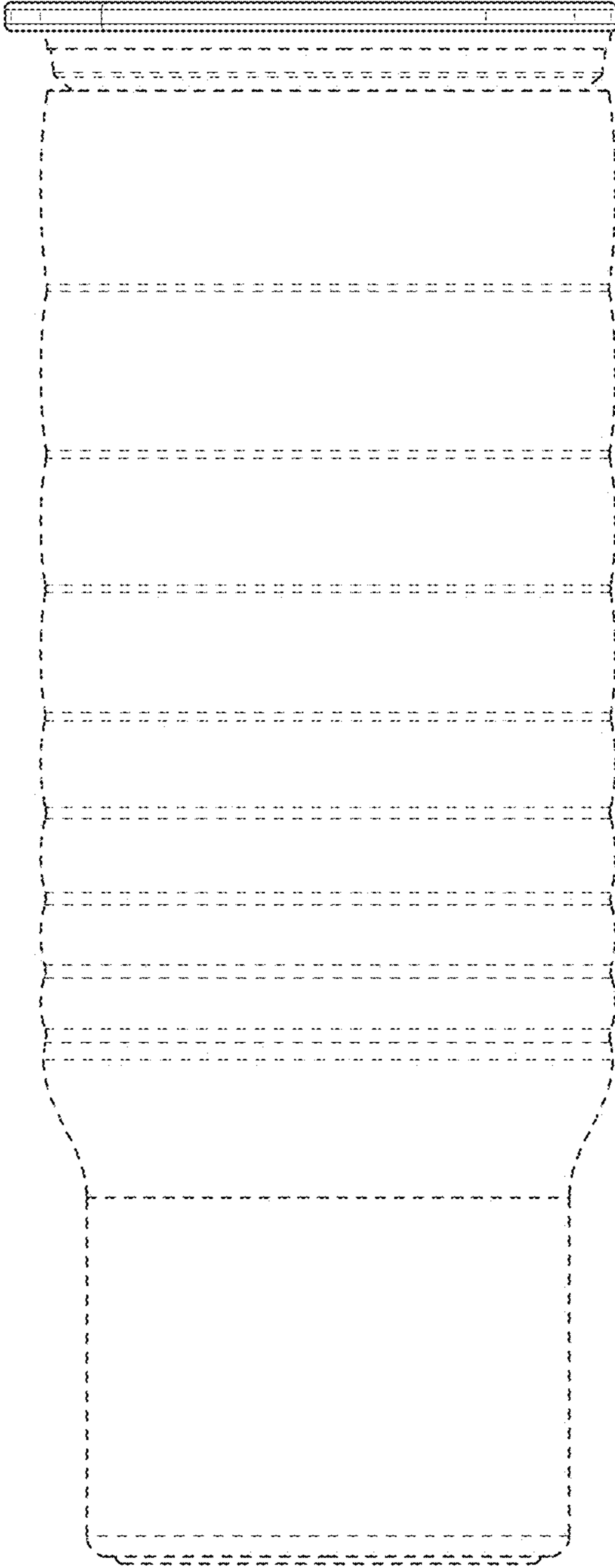


FIG. 5

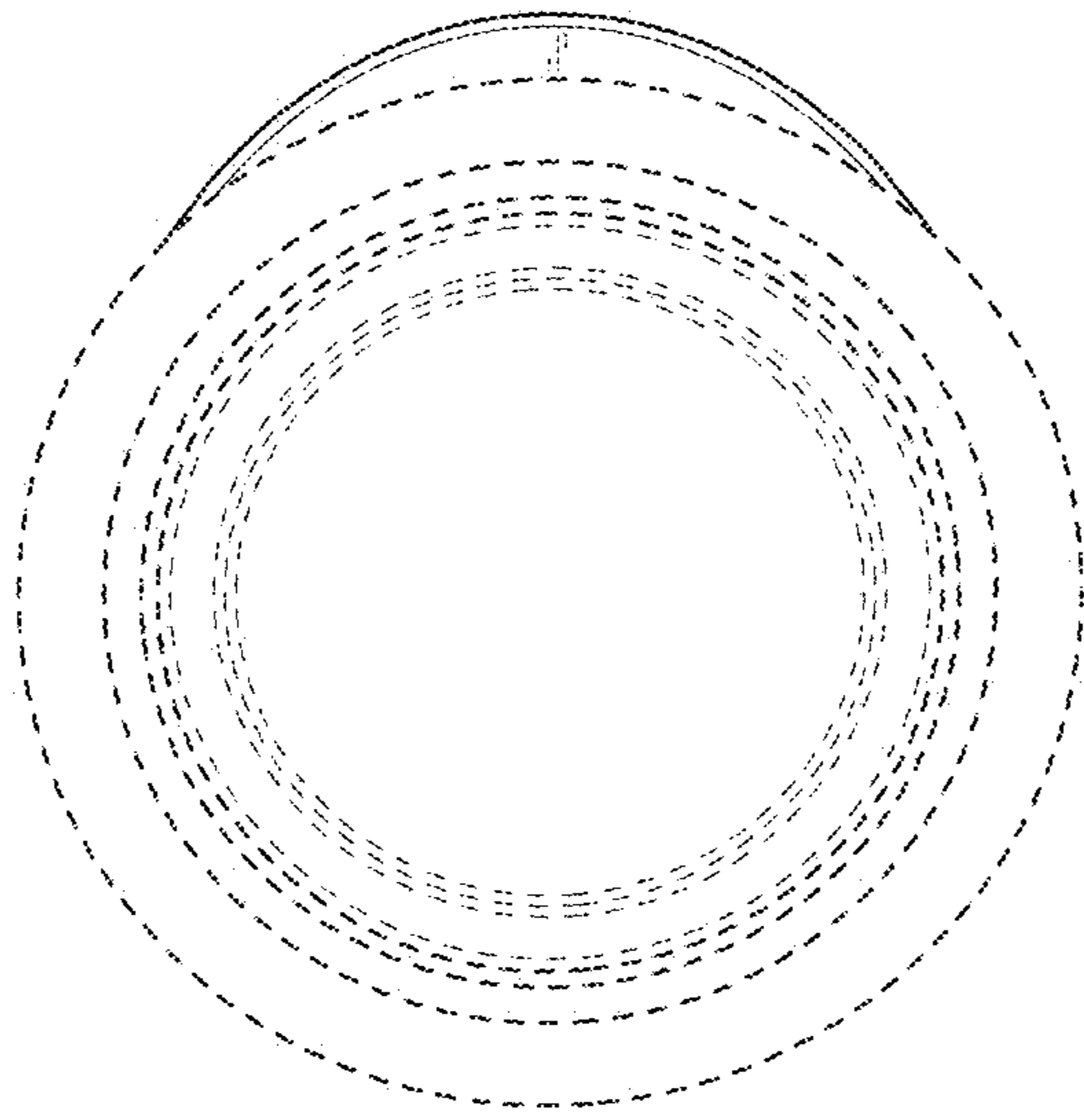


FIG. 6

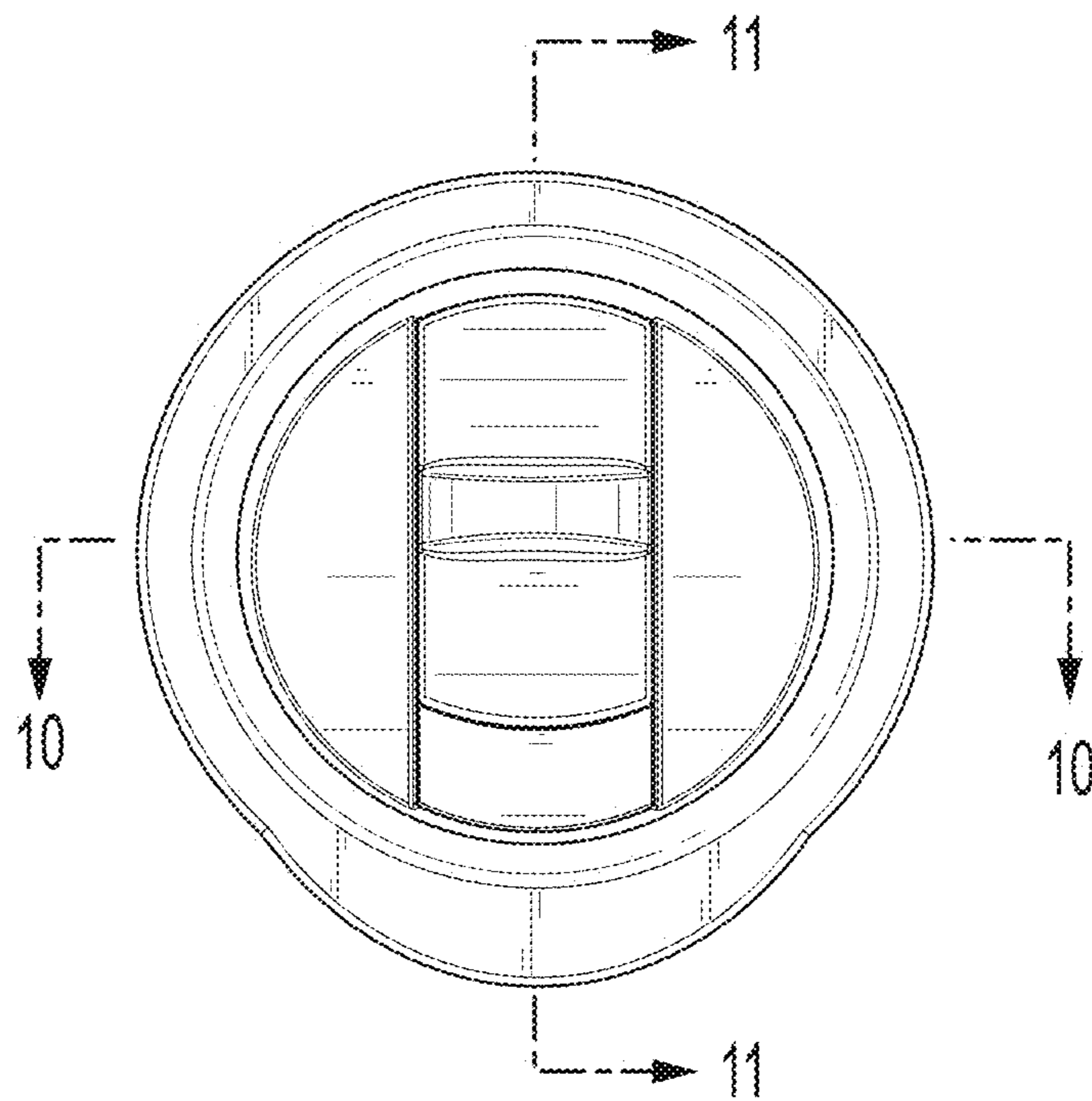


FIG. 7

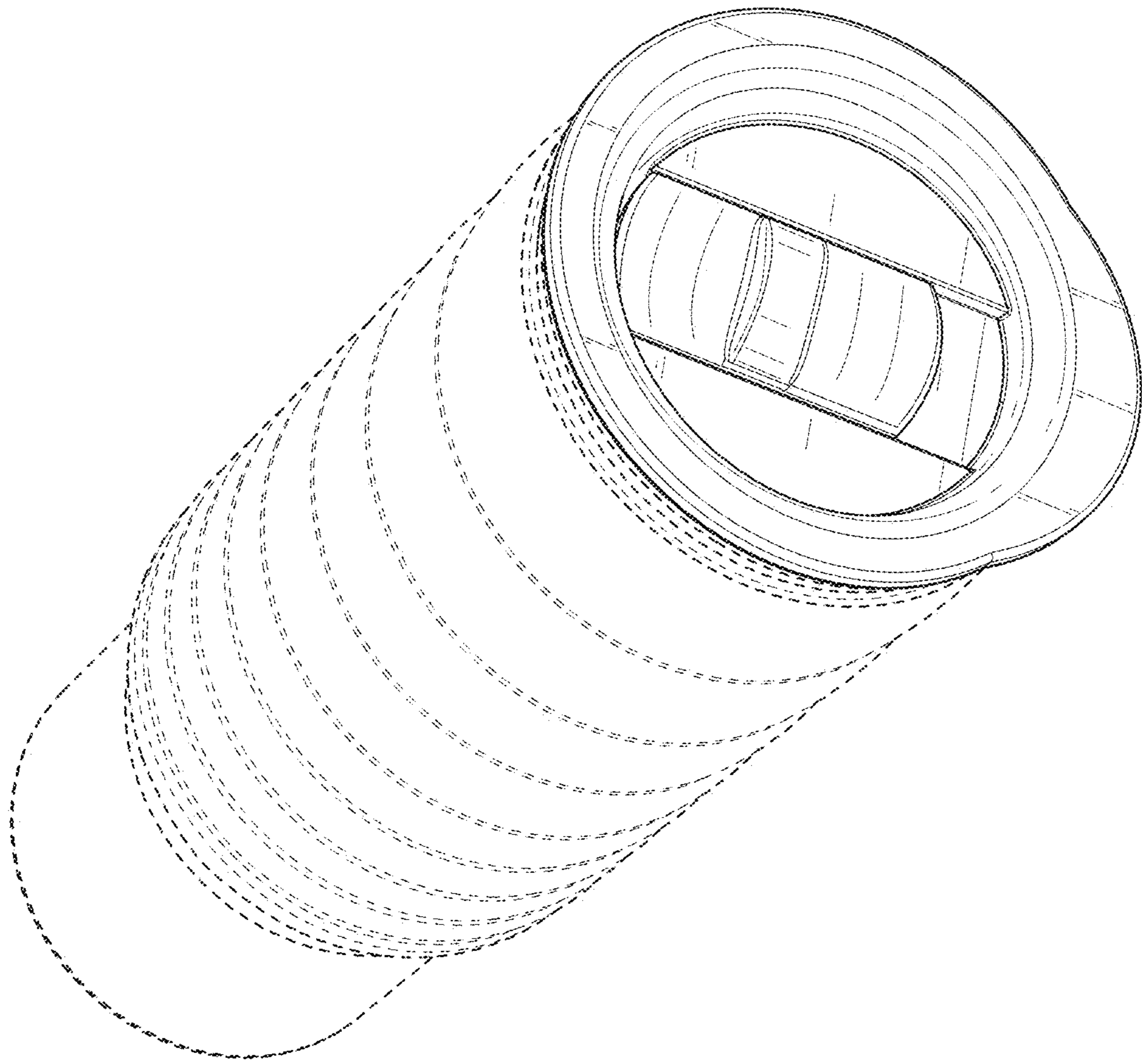


FIG. 8

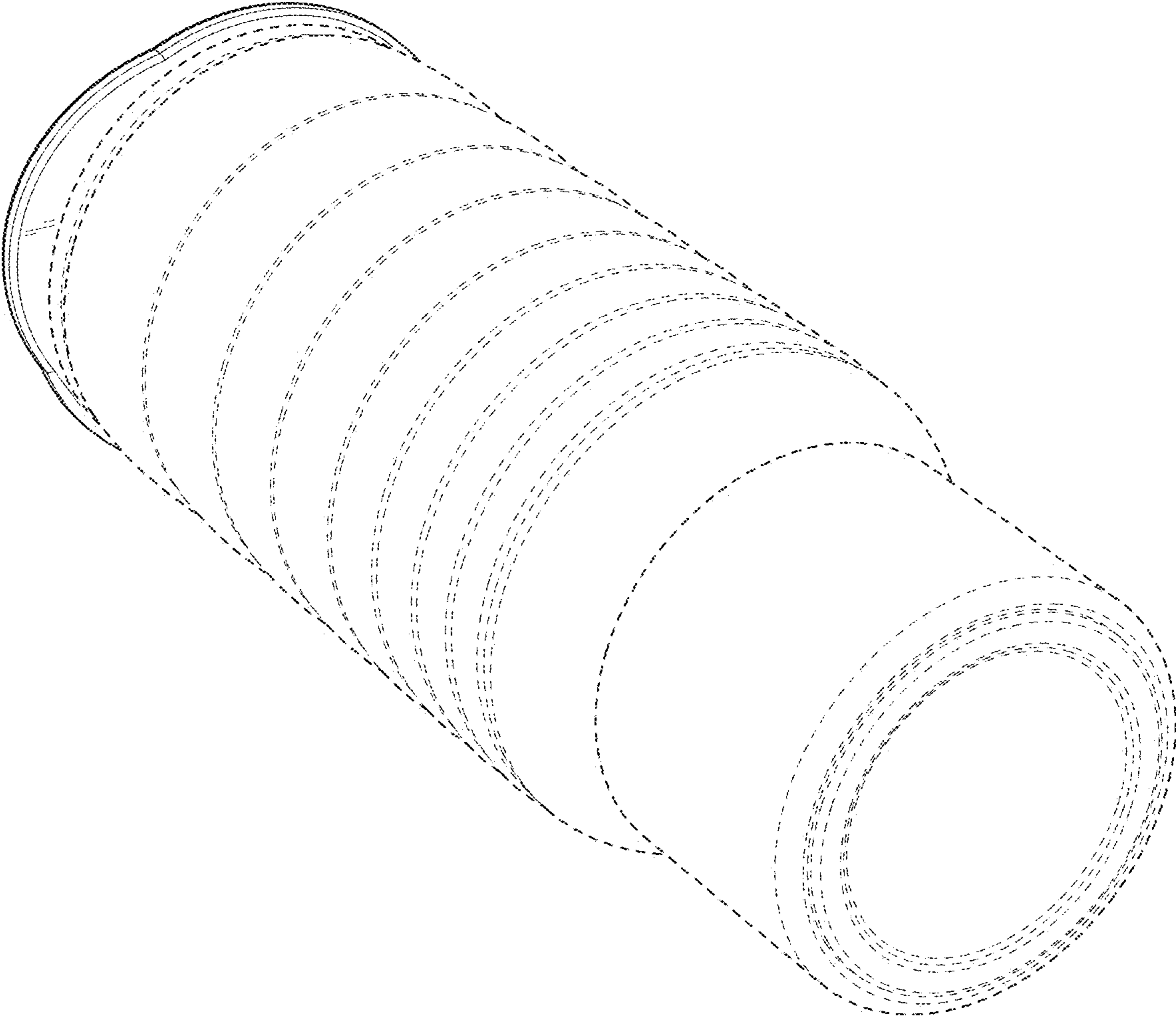


FIG. 9

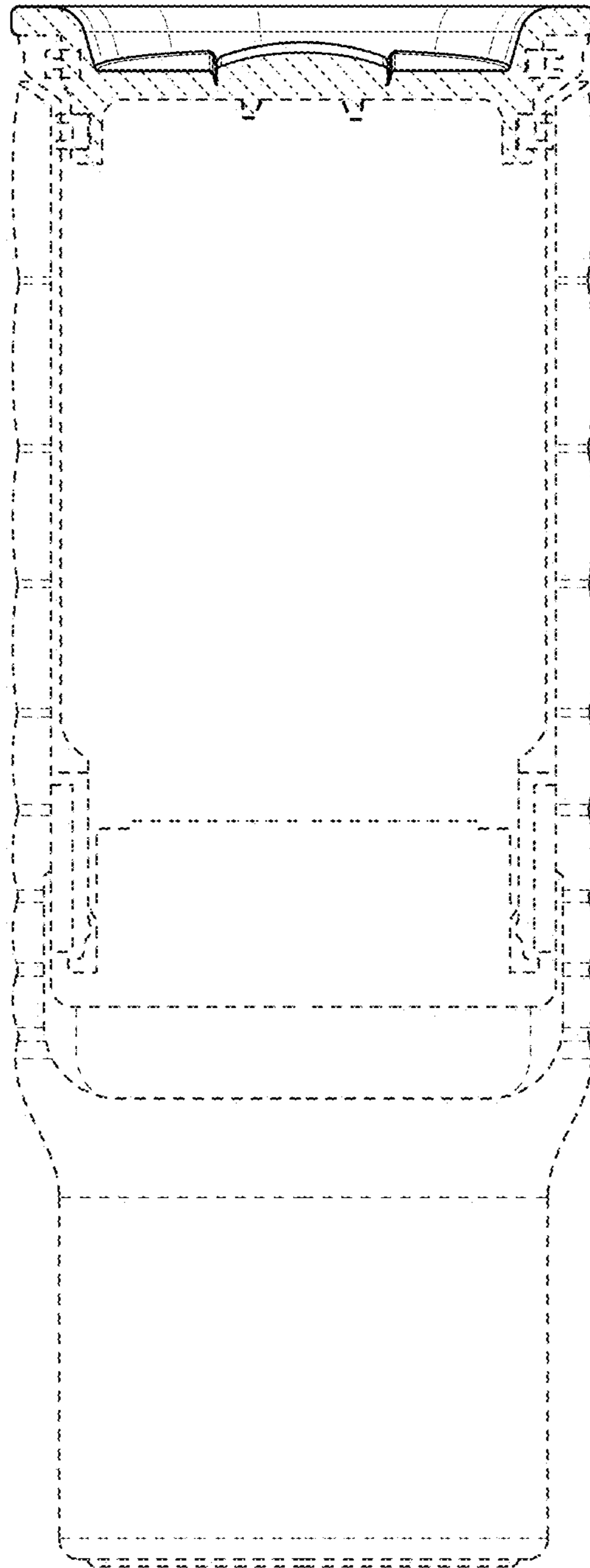


FIG. 10

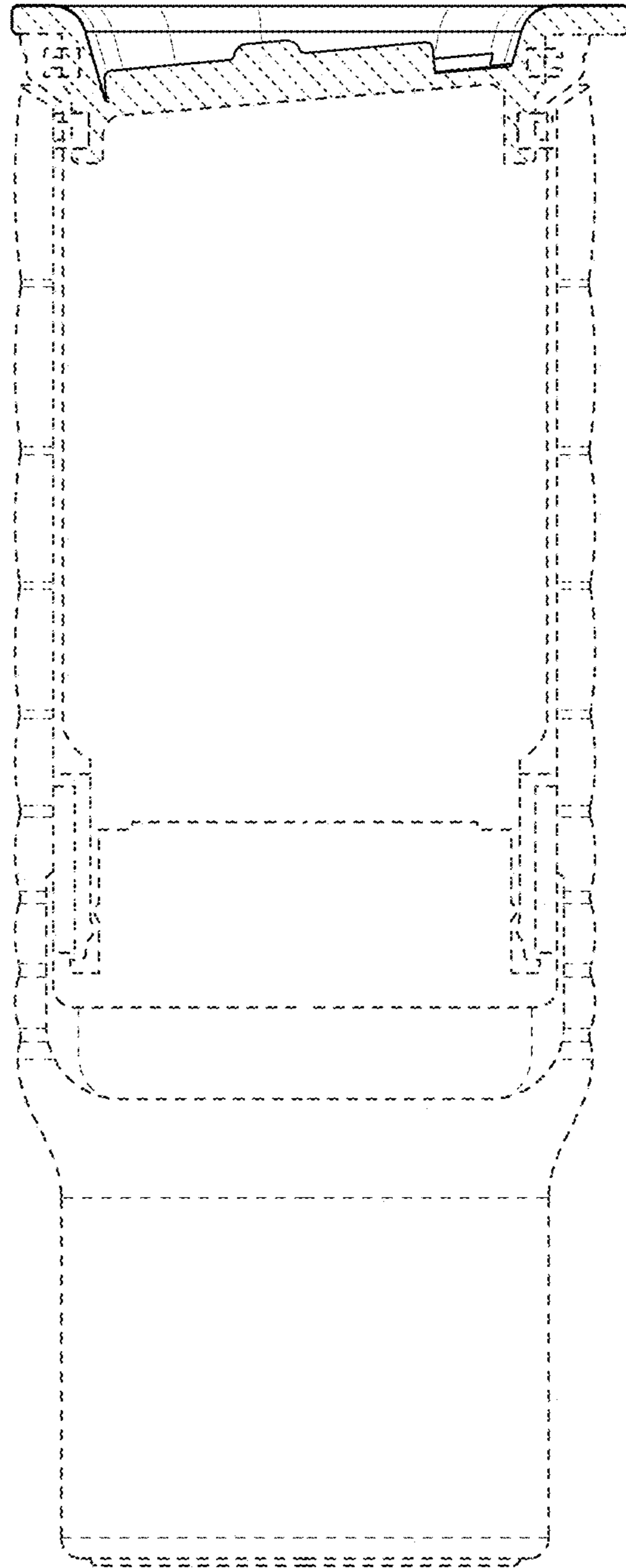


FIG. 11