



US00D898503S

(12) **United States Design Patent**
Huang et al.

(10) **Patent No.:** **US D898,503 S**
(45) **Date of Patent:** **** Oct. 13, 2020**

(54) **FREESTANDING HOOD WITH MICROWAVE**

- (71) Applicant: **WHIRLPOOL CORPORATION**,
Benton Harbor, MI (US)
- (72) Inventors: **XinFeng Huang**, ShenZhen (CN);
XiaoJun Guo, Foshan (CN); **Yu Liu**,
St. Joseph, MI (US); **Kyle A. Walters**,
Kalamazoo, MI (US); **Hui Wu**,
ShenZhen (CN); **XunCai Zhang**,
DongGuan (CN)
- (73) Assignee: **Whirlpool Corporation**, Benton
Harbor, MI (US)

(**) Term: **15 Years**

(21) Appl. No.: **29/642,112**

(22) Filed: **Mar. 27, 2018**

(51) **LOC (12) Cl.** **07-02**

(52) **U.S. Cl.**
USPC **D7/351**

(58) **Field of Classification Search**
USPC D7/323, 331, 334, 338, 339, 340, 347,
D7/348, 350.1, 350.3, 350.4, 351, 362,
D7/363, 364, 365, 341, 346, 402-407;
D23/314, 322, 323, 329, 330, 341;
D99/43
CPC . H05B 6/12; H05B 6/64; H05B 6/806; H05B
6/6426; H05B 6/6412; A47J 37/00; A47J
37/0763; A47J 37/36; A21B 1/52; A21B
1/00; F24C 15/08; F27D 9/00; F27D
2009/0018; F27D 2009/004; F27B
2014/0837; F23D 14/02
See application file for complete search history.

(56) **References Cited**

U.S. PATENT DOCUMENTS

- 346,694 A * 8/1886 Wallace F24C 15/2042
126/299 R
- D236,911 S * 9/1975 Oyler D7/347
- D248,607 S 7/1978 Yamamura et al.

(Continued)

OTHER PUBLICATIONS

1000 Watt Low Profile Microwave Hood Combination: Announced Feb. 17, 2019 [online]. Site Visited [Feb. 24, 2020]. Available from Internet URL: <https://www.kitchenaid.com/major-appliances/hoods-and-vents/microwave-hood-combination/p.1000-watt-low-profile-microwave-hood-combination.kmls311hss.html>.*

(Continued)

Primary Examiner — Catherine S Posthauer

(74) *Attorney, Agent, or Firm* — Price Heneveld LLP

(57) **CLAIM**

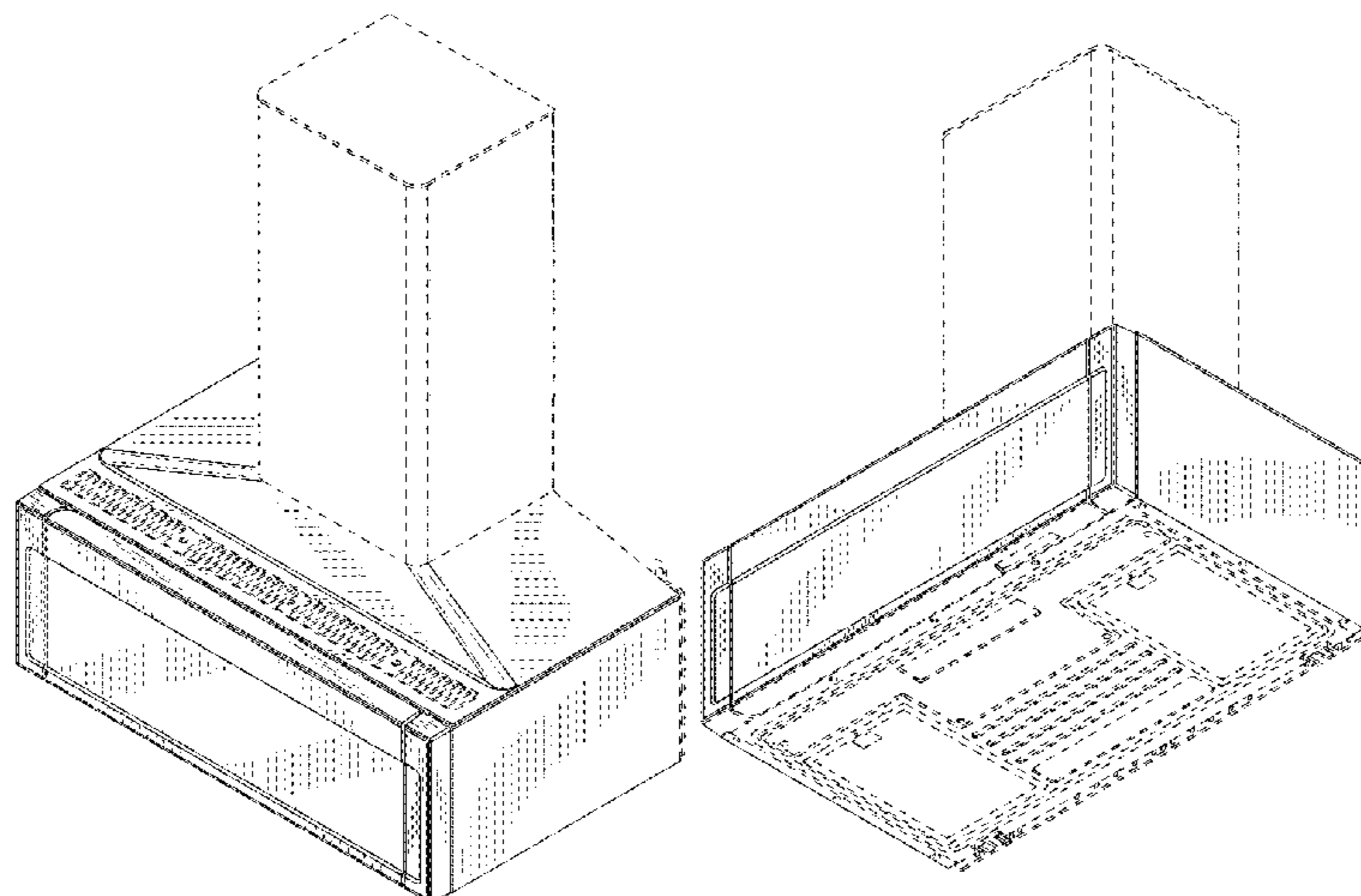
We claim the ornamental design for a freestanding hood with microwave, as shown and described.

DESCRIPTION

FIG. 1 is a front top perspective view of a freestanding hood with microwave of the present disclosure;
FIG. 2 is a front bottom perspective view of the freestanding hood with microwave of FIG. 1;
FIG. 3 is a front elevational view of the freestanding hood with microwave of FIG. 1;
FIG. 4 is a rear elevational view of the freestanding hood with microwave of FIG. 1;
FIG. 5 is a first side elevational view of the freestanding hood with microwave of FIG. 1;
FIG. 6 is a second side elevational view of the freestanding hood with microwave of FIG. 1;
FIG. 7 is a top plan view of the freestanding hood with microwave of FIG. 1; and,
FIG. 8 is a bottom plan view of the freestanding hood with microwave of FIG. 1.

The broken lines depict portions of the article that form no part of the claimed design.

1 Claim, 8 Drawing Sheets



(56)

References Cited

U.S. PATENT DOCUMENTS

D260,104 S * 8/1981 Klawitter D21/524
 D268,079 S 3/1983 Miyake et al.
 D273,931 S * 5/1984 Stevens D7/351
 D275,546 S 9/1984 Tanaka et al.
 D276,122 S 10/1984 Tanaka et al.
 D277,355 S 1/1985 Miyake et al.
 D285,893 S 9/1986 Mizuma et al.
 D297,296 S * 8/1988 Feil D7/350.4
 D297,698 S 9/1988 Nishikawa et al.
 D297,800 S 9/1988 Feil et al.
 D303,063 S 8/1989 Satake
 D303,691 S * 9/1989 Wehmeyer D21/524
 D330,144 S 10/1992 Takebata et al.
 D335,064 S * 4/1993 Sugiyama D7/351
 D353,511 S 12/1994 Saimen
 D378,723 S 4/1997 Weiss
 D380,643 S * 7/1997 Piret D7/350.4
 D385,155 S 10/1997 Weiss et al.
 D387,241 S * 12/1997 Noda D7/351
 D411,074 S 6/1999 Sakai et al.
 D413,041 S * 8/1999 Lin-Yun D7/350.4
 D413,758 S * 9/1999 Hessen D7/351
 D436,285 S * 1/2001 Taira D7/351
 D442,018 S * 5/2001 Kusachi D7/351
 D463,212 S * 9/2002 Hwang D7/402
 D481,582 S 11/2003 Seum et al.
 D495,556 S 9/2004 Milrud et al.
 D511,271 S * 11/2005 Grutzke D7/405
 D514,382 S * 2/2006 Grutzke D7/405
 D516,862 S * 3/2006 Grutzke D7/405
 D521,799 S 5/2006 Ledingham et al.
 D522,311 S * 6/2006 Kanza D7/405
 D522,801 S 6/2006 Lee
 D526,527 S * 8/2006 Jung D7/348
 D527,572 S 9/2006 Lee et al.
 D530,973 S 10/2006 Lee et al.
 D531,447 S 11/2006 Lee et al.
 D532,645 S 11/2006 Lee
 D534,035 S * 12/2006 Huxhold D7/405
 D540,105 S 4/2007 Lee et al.
 D540,613 S 4/2007 Jeon
 D547,111 S * 7/2007 Loyd D7/348
 D550,024 S 9/2007 Jeon
 D568,675 S 5/2008 Kawata
 D569,178 S * 5/2008 Crookshanks D7/405
 D579,270 S * 10/2008 Green D7/405
 D582,211 S * 12/2008 Green D7/405
 D586,619 S 2/2009 Pino et al.
 D587,959 S 3/2009 Hensel
 D602,306 S 10/2009 Lavy
 D625,557 S 10/2010 Pino et al.
 D626,370 S 11/2010 Baek
 D638,249 S 5/2011 Ryan et al.
 D639,105 S * 6/2011 Shin D7/351
 D646,112 S * 10/2011 Park D7/348

D646,113 S * 10/2011 Park D7/348
 D655,970 S 3/2012 De'Longhi
 D658,439 S 5/2012 Curtis et al.
 D662,759 S 7/2012 Blacken et al.
 D663,156 S 7/2012 Curtis et al.
 D663,584 S * 7/2012 Sadtler D7/405
 D670,529 S 11/2012 Hensel
 D673,000 S 12/2012 De'Longhi
 D673,418 S 1/2013 Lee et al.
 D678,711 S 3/2013 Reiner
 D693,167 S * 11/2013 Kim D7/351
 D696,069 S * 12/2013 Roberson D7/405
 D705,591 S * 5/2014 Lee D7/351
 D717,579 S 11/2014 Gregory et al.
 D717,581 S * 11/2014 Kim D7/351
 D736,554 S 8/2015 Steiner et al.
 D737,620 S 9/2015 Miller et al.
 D737,622 S 9/2015 Miller et al.
 D737,627 S * 9/2015 Goldenstein D7/402
 D748,424 S * 2/2016 Funnell, II D7/348
 D750,414 S * 3/2016 Funnell, II D7/348
 D766,657 S * 9/2016 Bergese D7/405
 D769,669 S 10/2016 Kim et al.
 D779,876 S * 2/2017 Chung D7/405
 D781,097 S * 3/2017 Kim D7/348
 D784,751 S * 4/2017 Funnell, II D7/348
 D784,752 S * 4/2017 Funnell, II D7/348
 D786,611 S * 5/2017 Funnell, II D7/348
 D787,878 S * 5/2017 Kim D7/348
 D787,879 S * 5/2017 Kim D7/348
 D792,740 S * 7/2017 Green D7/405
 D805,833 S * 12/2017 Baacke D7/348
 D807,697 S * 1/2018 Jeon D7/405
 D815,485 S * 4/2018 Suehiro D7/350.1
 D831,405 S * 10/2018 Carcano D7/348
 D835,450 S * 12/2018 Prentice D7/348
 D845,695 S * 4/2019 Wu D7/334
 D853,774 S * 7/2019 Tapaninaho D7/339
 D858,172 S * 9/2019 Moore D7/348
 D859,055 S * 9/2019 Baacke D7/348
 D862,166 S * 10/2019 Jo D7/405
 2008/0156313 A1 * 7/2008 Sohn F24C 15/006
 126/299 D
 2015/0114384 A1 * 4/2015 Bruin-Slot F24C 15/20
 126/299 D
 2018/0213973 A1 * 8/2018 Tapaninaho A47J 37/0763
 2019/0166658 A1 * 5/2019 Zhang H05B 6/6423
 2019/0285284 A1 * 9/2019 Kweon H05B 6/64
 2019/0338960 A1 * 11/2019 Ye F24C 15/20

OTHER PUBLICATIONS

Maytag Microwave Hood Combination: Site Visited [Feb. 24, 2020]. Available from Internet URL: <https://www.maytag.com/kitchen/cooking/microwaves/over-the-range/p.0.8-cu.-ft.-space-saving-microwave-hood-combination.umh50008hs.html>.*

* cited by examiner

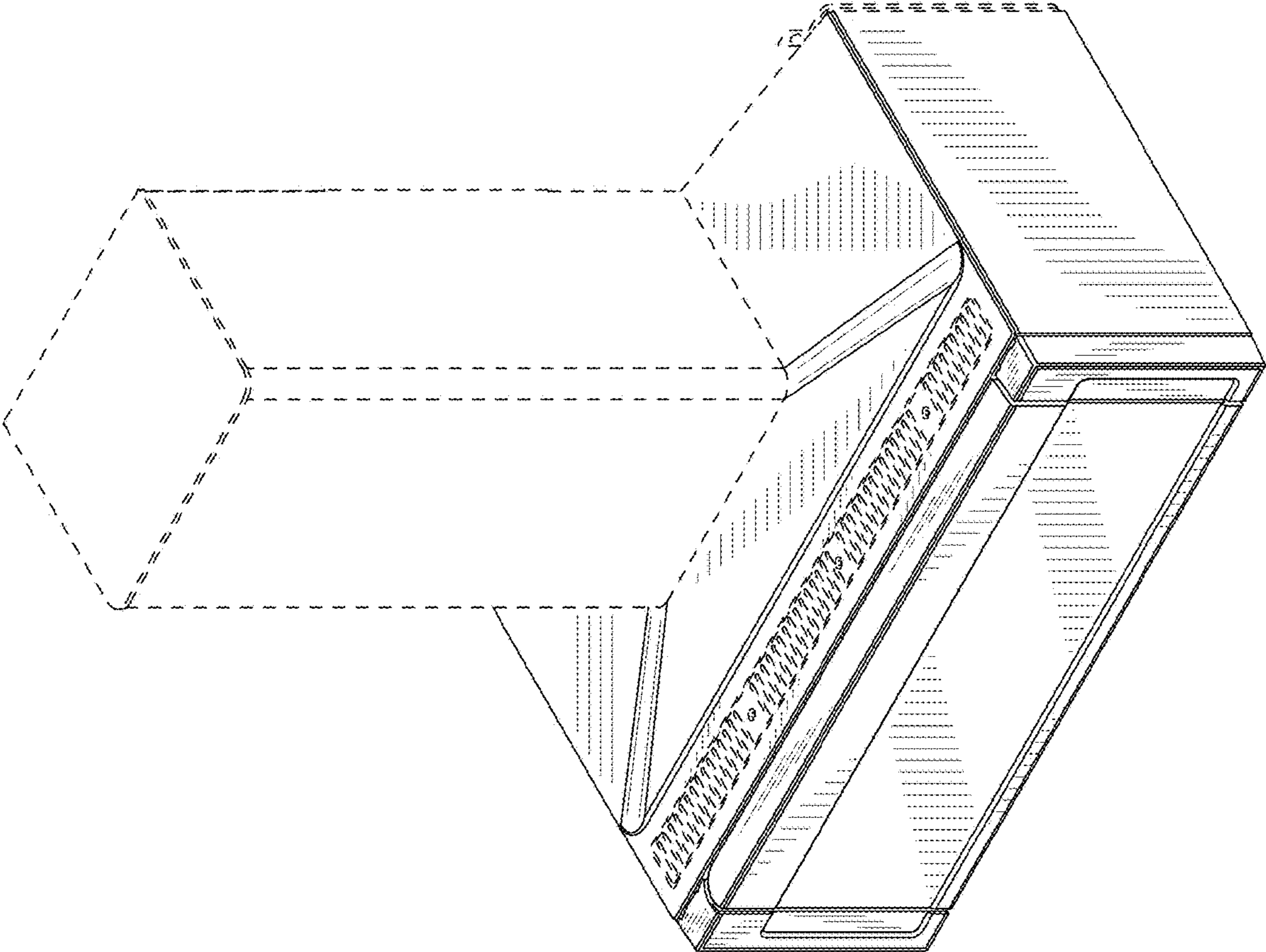


FIG. 1

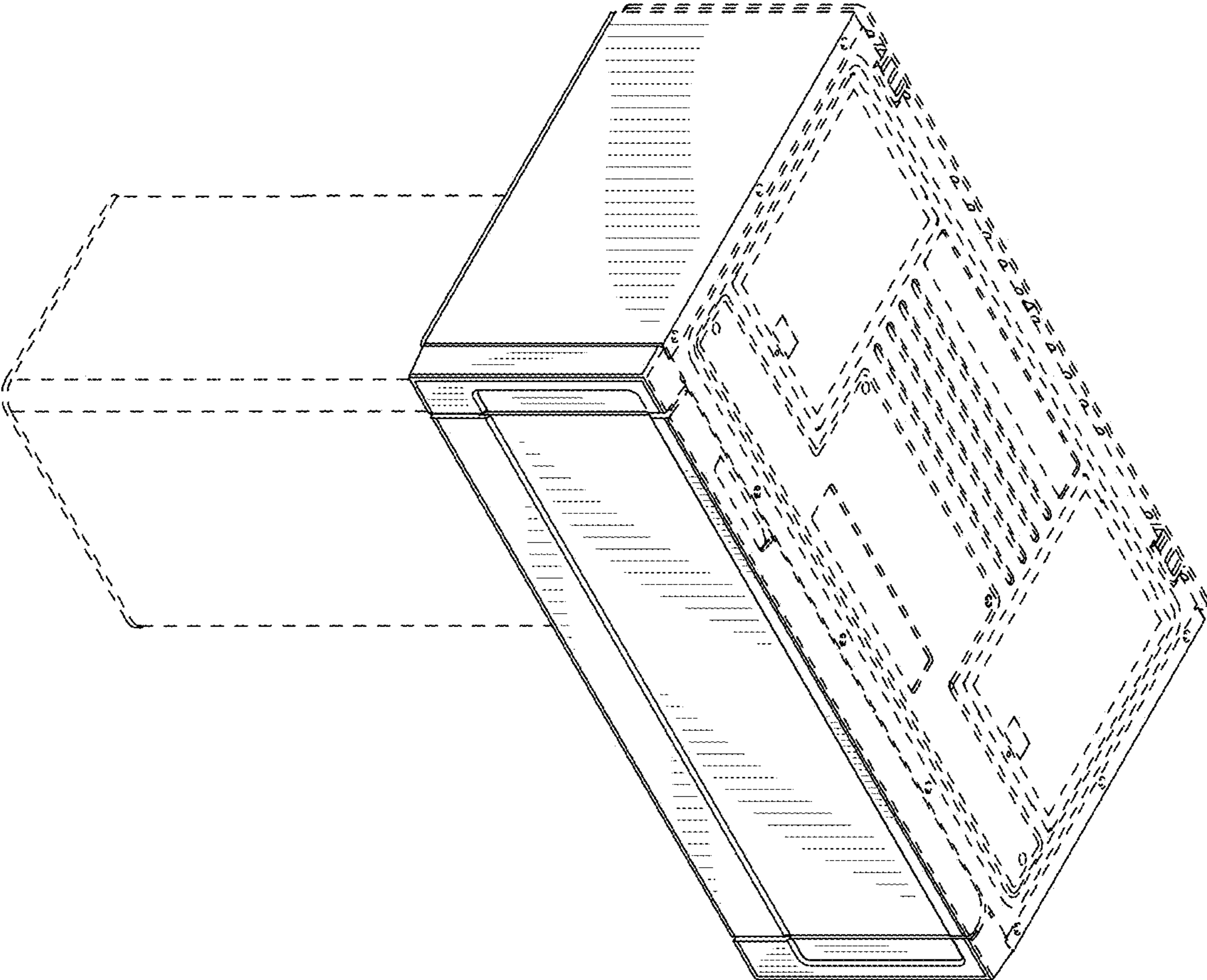


FIG. 2

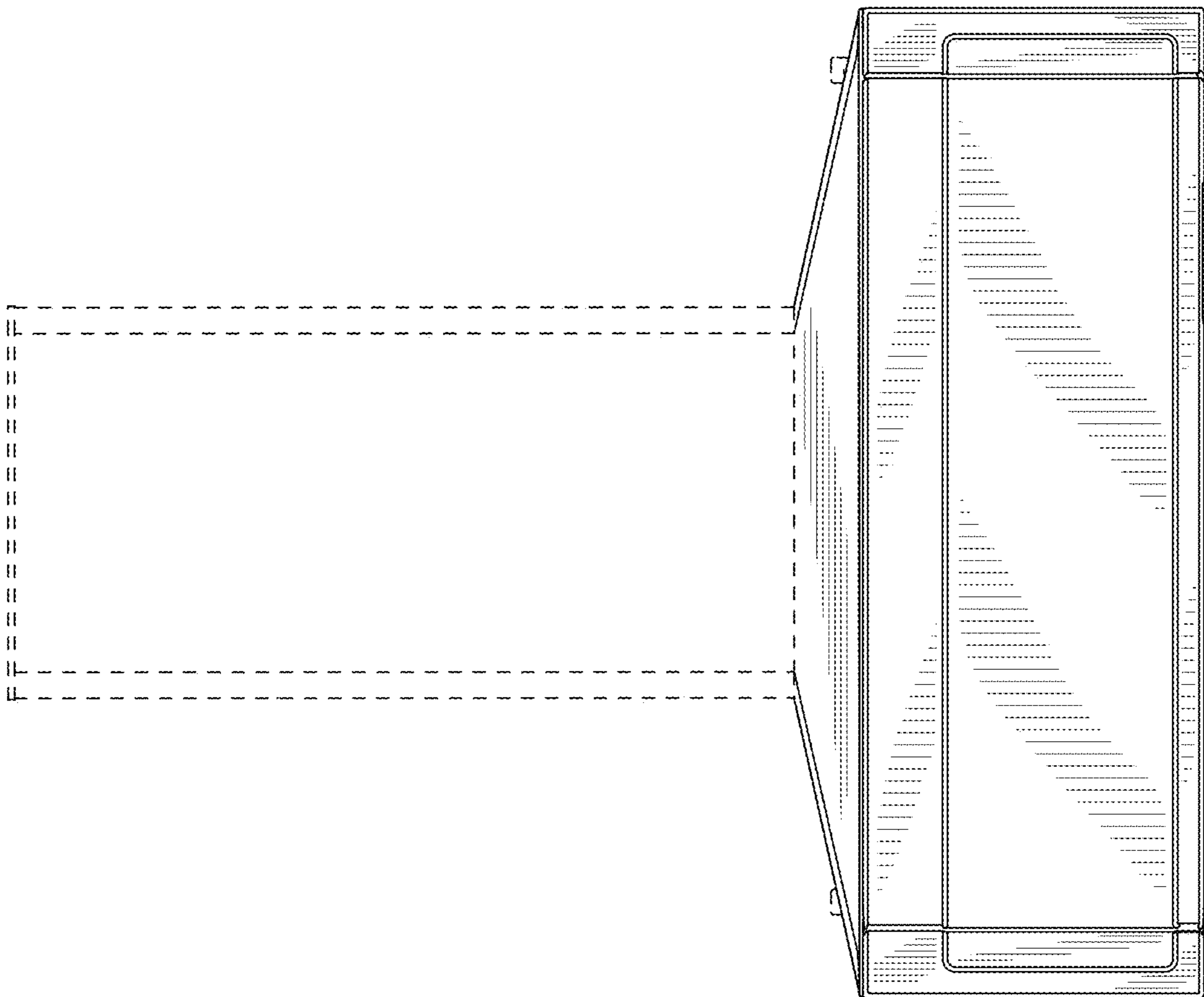


FIG. 3

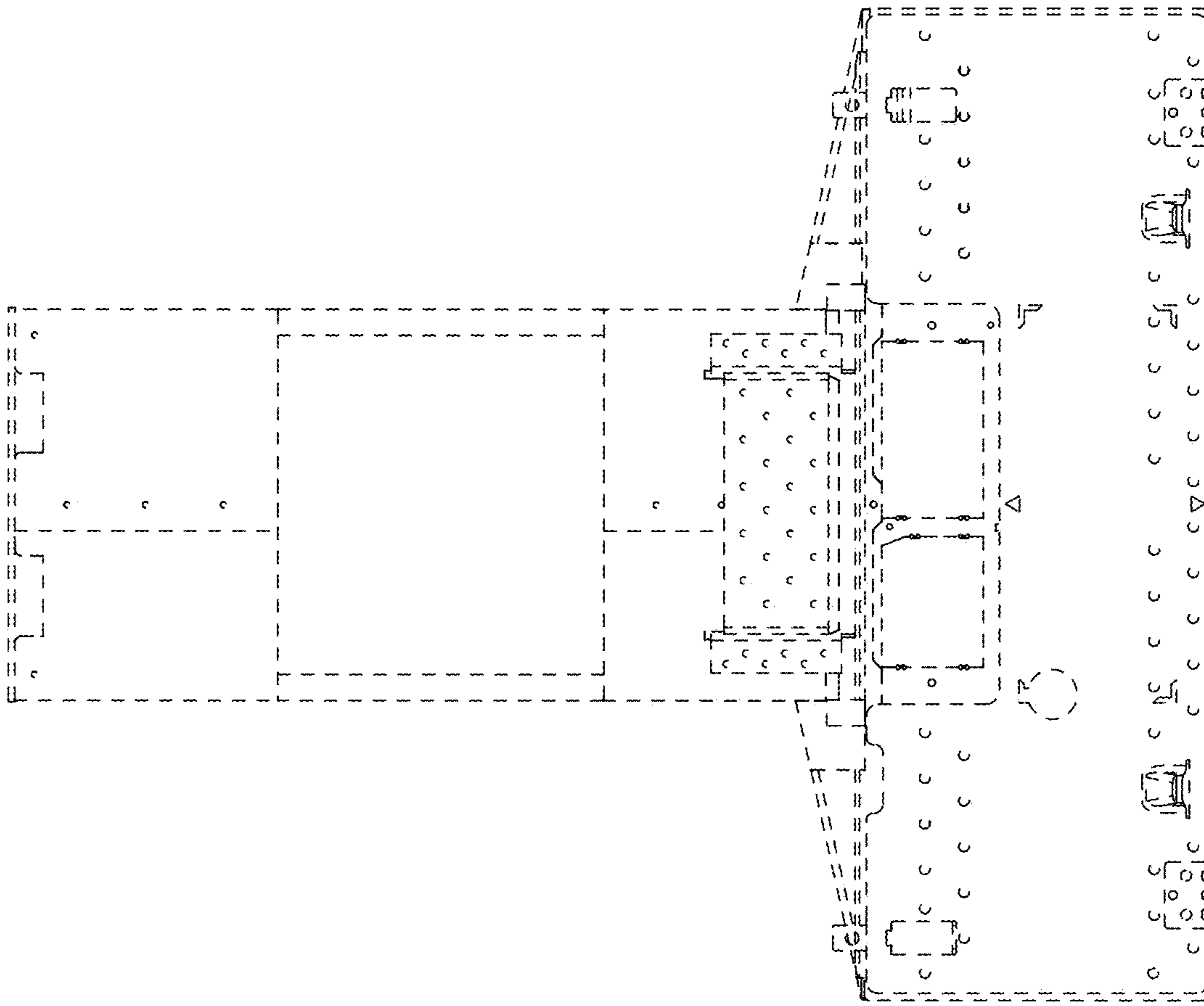


FIG. 4

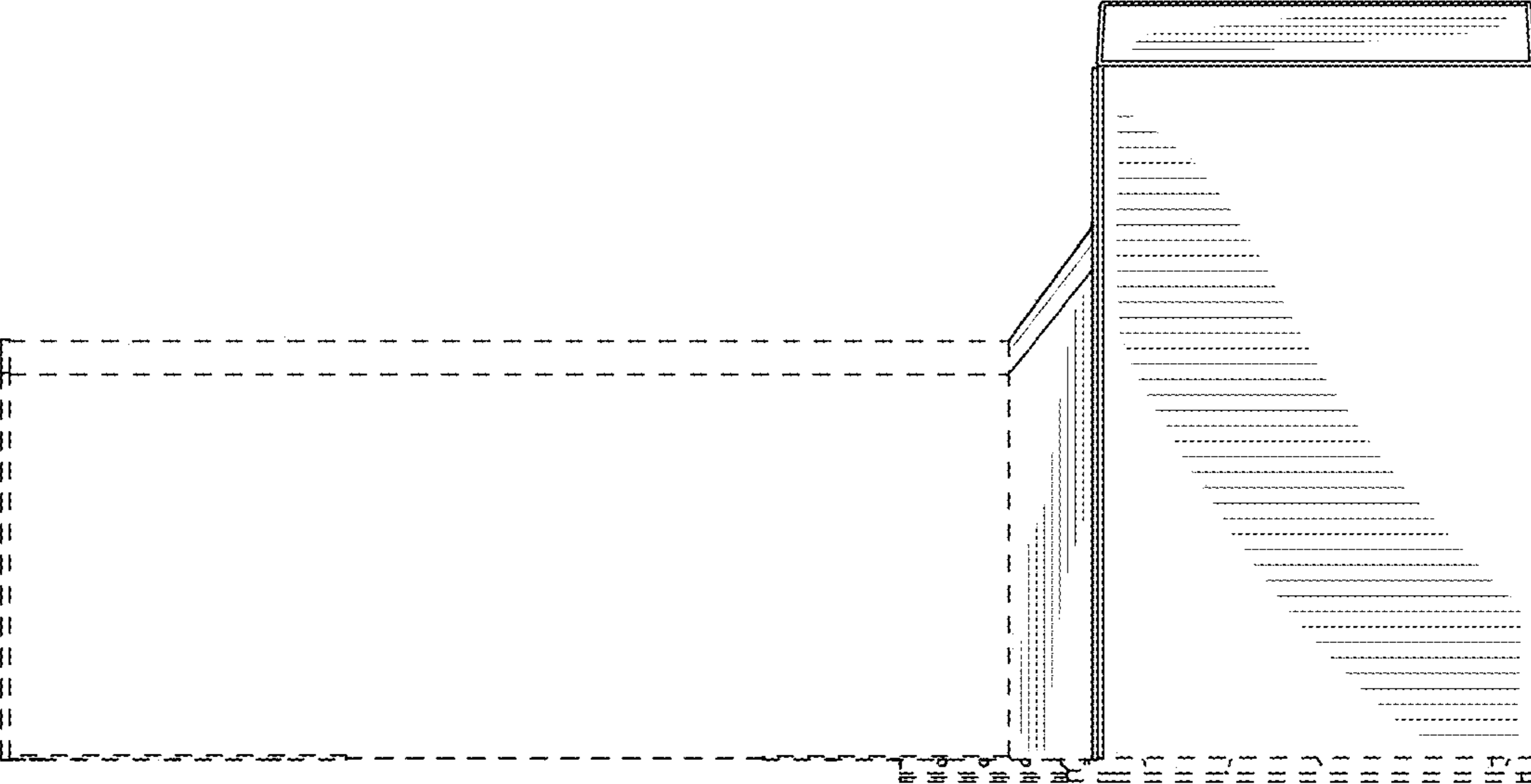


FIG. 5

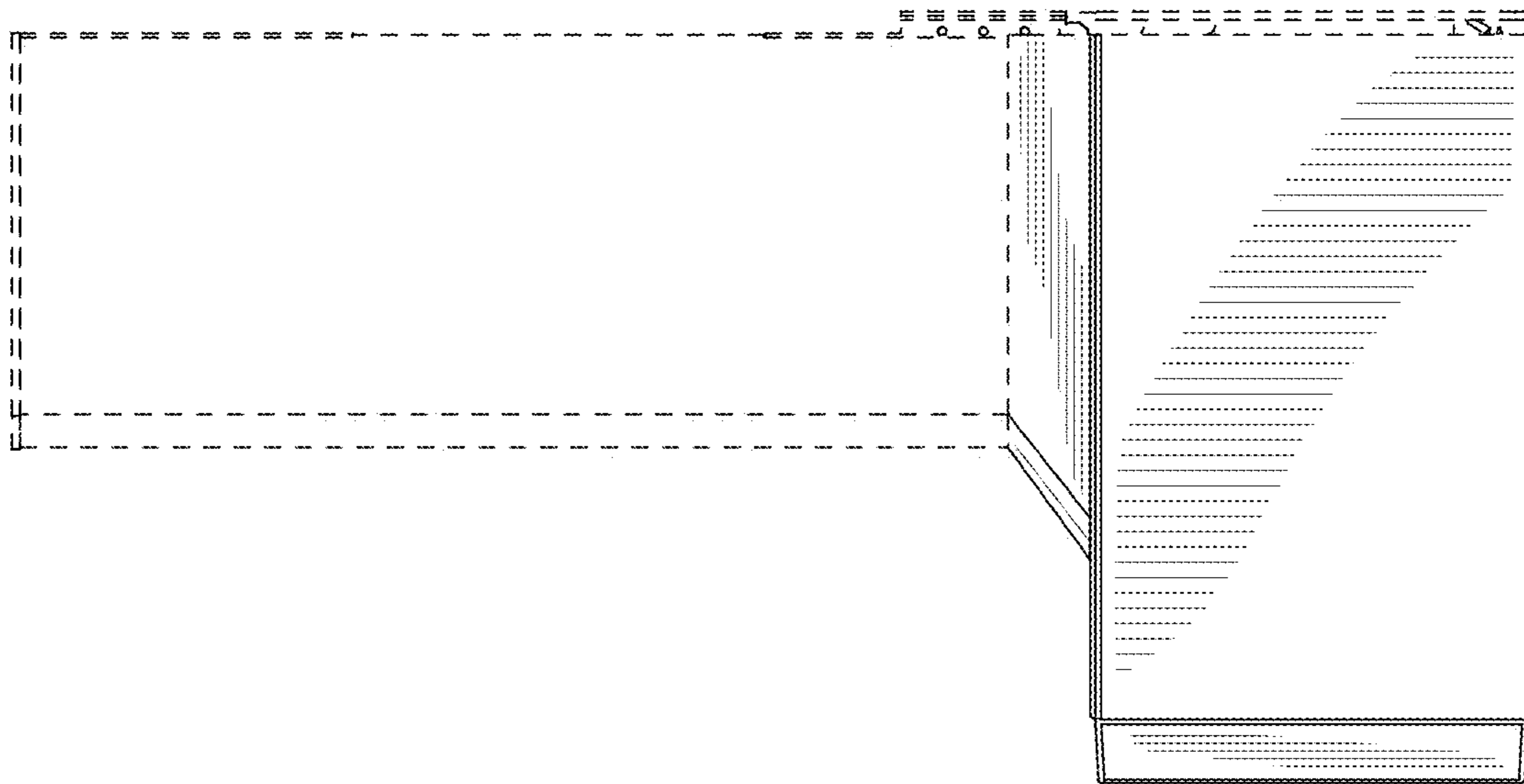


FIG. 6

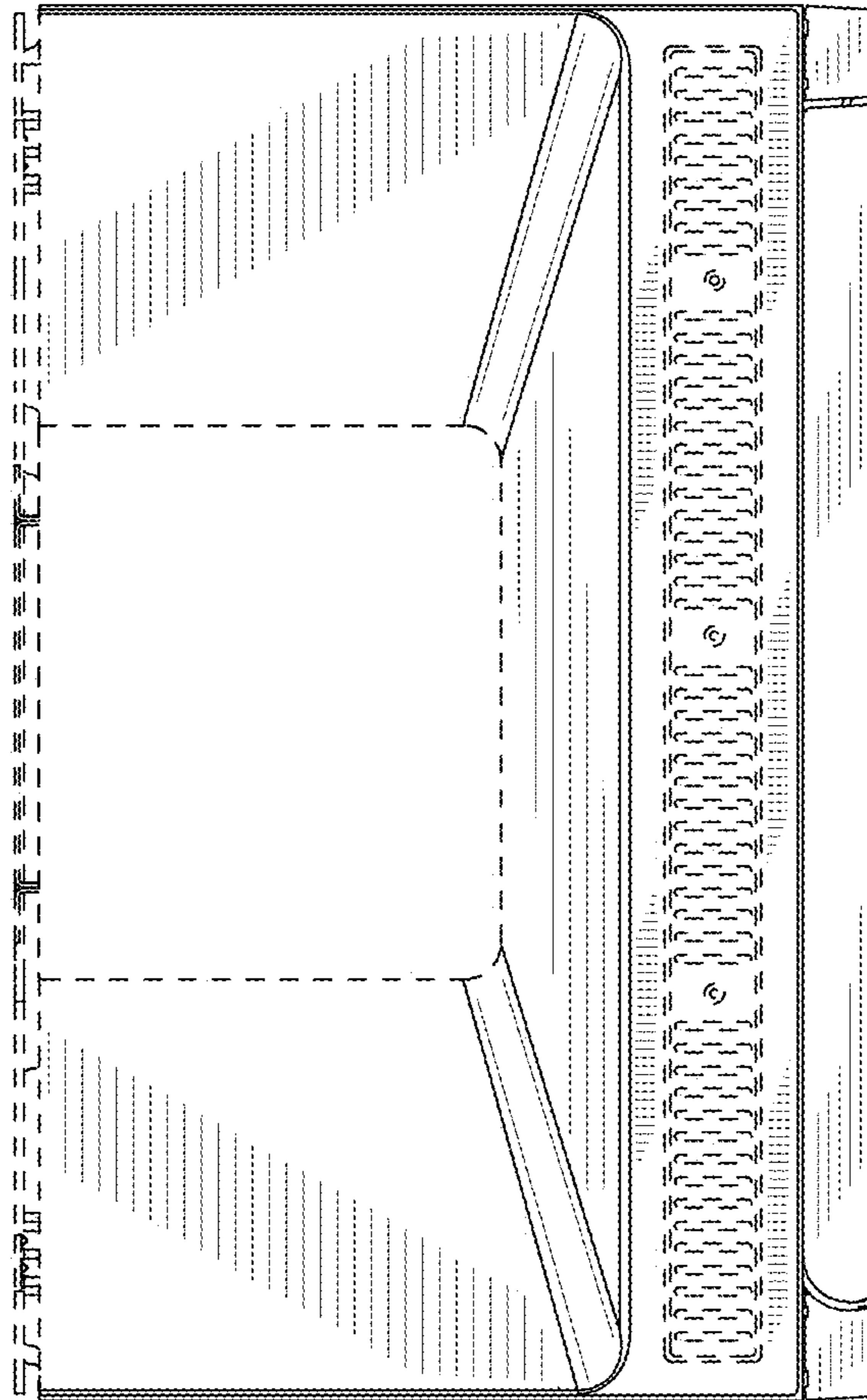


FIG. 7

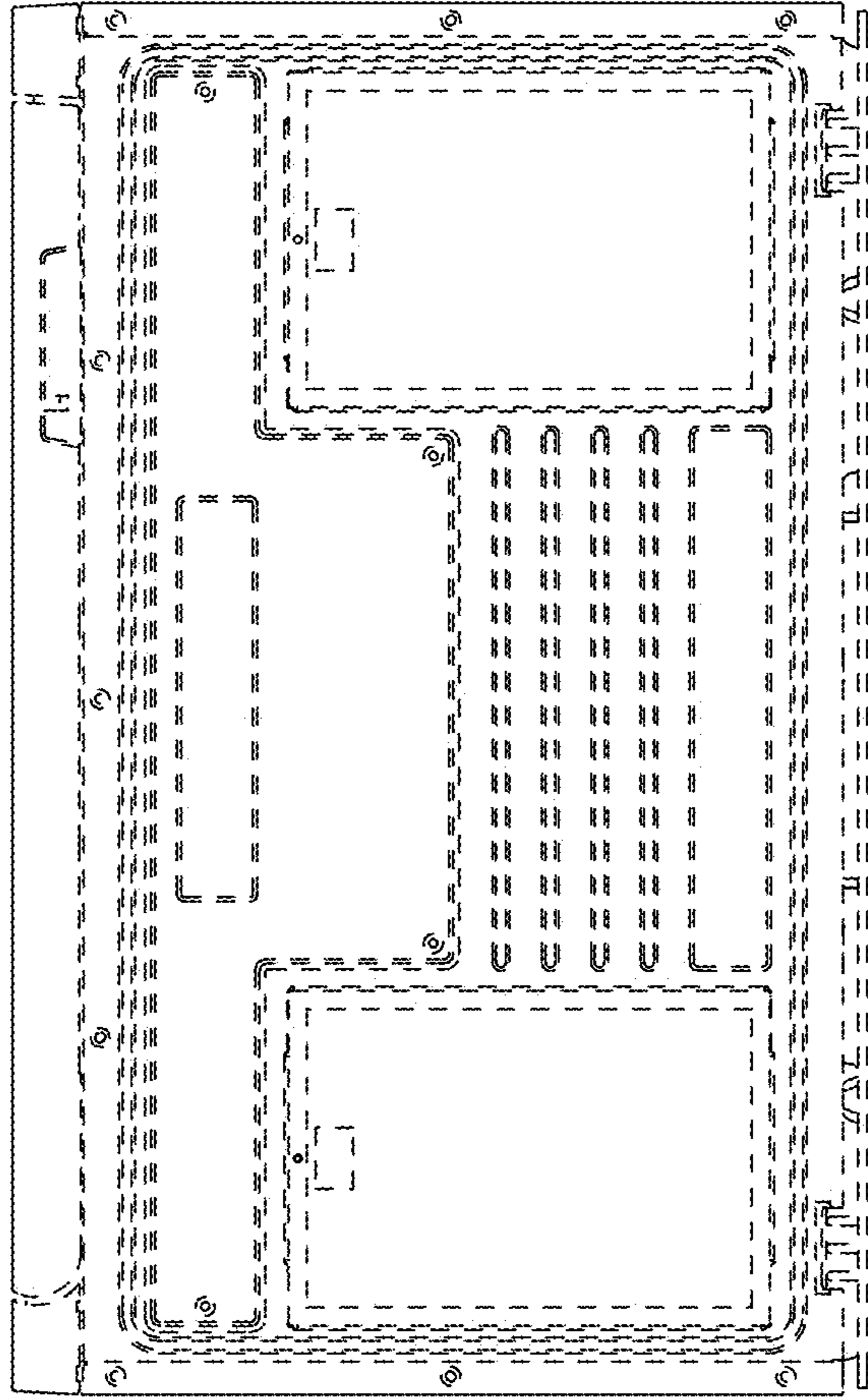


FIG. 8