



US00D898502S

(12) **United States Design Patent** (10) **Patent No.:** **US D898,502 S**  
**Ledford et al.** (45) **Date of Patent:** **\*\* Oct. 13, 2020**

(54) **MICROWAVE**

D268,079 S 3/1983 Miyake et al.  
D275,546 S 9/1984 Tanaka et al.  
D276,122 S 10/1984 Tanaka et al.

(71) Applicant: **WHIRLPOOL CORPORATION**,  
Benton Harbor, MI (US)

(Continued)

(72) Inventors: **Michael A. Ledford**, St. Joseph, MI (US); **Yu Liu**, St. Joseph, MI (US); **Kyle A. Walters**, Benton Harbor, MI (US); **JunHua Wu**, GuanDong (CN); **XunCai Zhang**, GuanDong (CN)

**OTHER PUBLICATIONS**

BestBuy Whirlpool Microwave Hood: Announced Feb. 7, 2019 [online]. Site Visited [Feb. 24, 2020]. Available from Internet URL: [https://www.bestbuy.com/site/whirlpool-1-1-cu-ft-low-profile-over-the-range-microwave-hood-combination-stainless-steel/6196916.p?skuId=6196916.\\*](https://www.bestbuy.com/site/whirlpool-1-1-cu-ft-low-profile-over-the-range-microwave-hood-combination-stainless-steel/6196916.p?skuId=6196916)

(Continued)

(73) Assignee: **Whirlpool Corporation**, Benton Harbor, MI (US)

*Primary Examiner* — Catherine S Posthauer

(\*\*) Term: **15 Years**

(74) *Attorney, Agent, or Firm* — Price Heneveld LLP

(21) Appl. No.: **29/641,959**

(22) Filed: **Mar. 26, 2018**

(51) **LOC (12) Cl.** ..... **07-02**

(57) **CLAIM**

(52) **U.S. Cl.**

We claim the ornamental design for a microwave, as shown and described.

USPC ..... **D7/351**

(58) **Field of Classification Search**

**DESCRIPTION**

USPC ..... D7/323, 331, 334, 338, 339, 340, 341, D7/347, 348, 350.1, 350.3, 350.4, 351, D7/362, 363, 364, 365, 402-407; D23/314, 322, 323, 329, 330, 341; D15/122, 138, 141, 144, 199; D8/311, D8/312, 315, 316, 333, 334; D3/203.1; D6/672, 675, 702, 703, 559, 663, 705.5; D21/523, 524, 525, 561; D9/414, 456; D99/28, 43

FIG. 1 is a front top perspective view of a microwave of the present disclosure;  
FIG. 2 is a front bottom perspective view of the microwave of FIG. 1;  
FIG. 3 is a front elevational view of the microwave of FIG. 1;  
FIG. 4 is a rear elevational view of the microwave of FIG. 1;  
FIG. 5 is a first side elevational view of the microwave of FIG. 1;  
FIG. 6 is a second side elevational view of the microwave of FIG. 1;  
FIG. 7 is a top plan view of the microwave of FIG. 1; and, FIG. 8 is a bottom plan view of the microwave of FIG. 1. The broken lines depict portions of the article that form no part of the claimed design.

CPC . H05B 6/12; H05B 6/64; H05B 6/806; H05B 6/6426; H05B 6/6412; A21B 1/52; A21B 1/00; A47J 37/00; A47J 37/0763; A47J 37/36; F24C 15/08; F24C 15/2042; F27D 9/00; F27D 2009/0018; F27D 2009/004; F27B 2014/0837

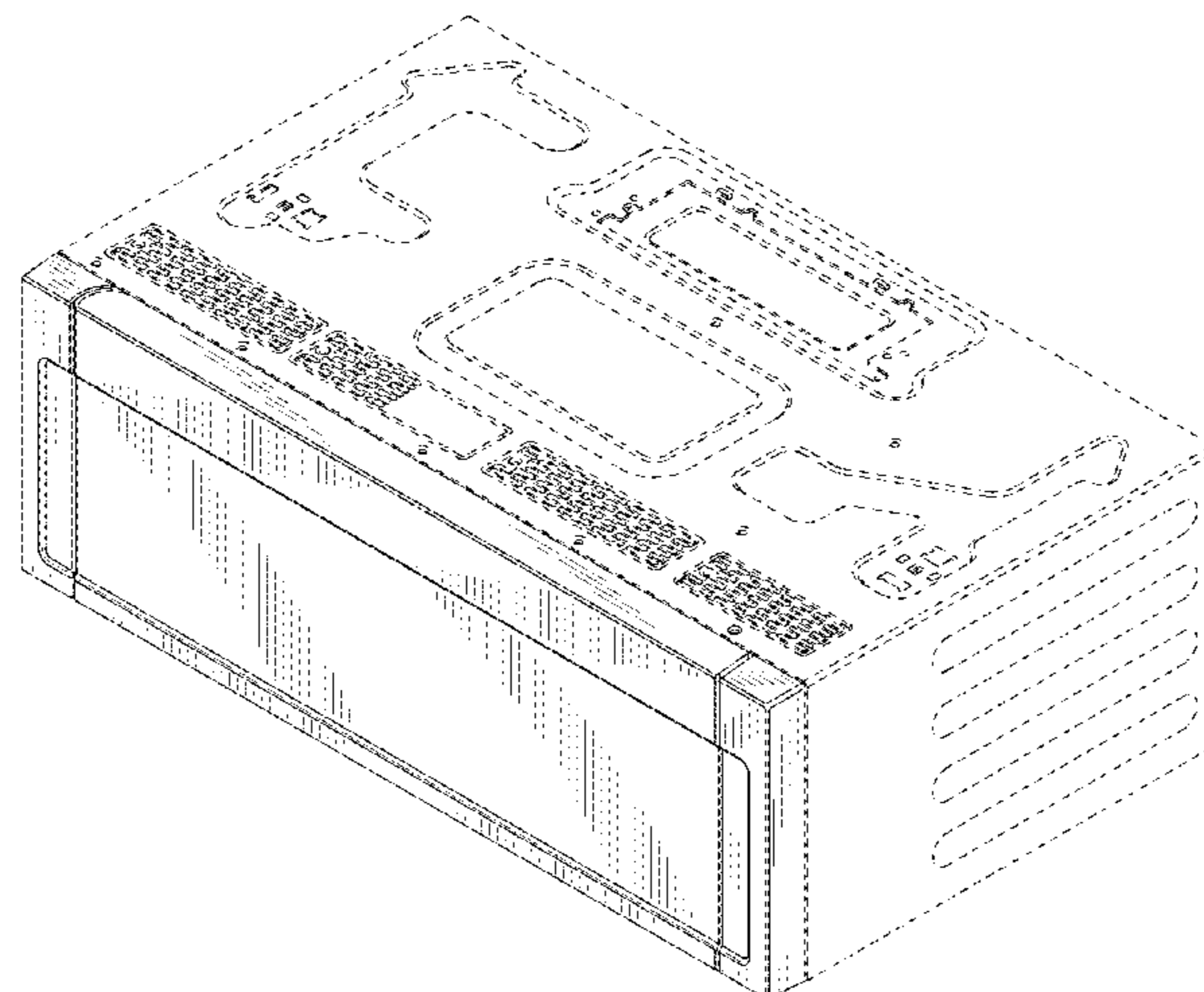
See application file for complete search history.

(56) **References Cited**

**1 Claim, 8 Drawing Sheets**

**U.S. PATENT DOCUMENTS**

D242,420 S \* 11/1976 Ura ..... D7/351  
D248,607 S 7/1978 Yamamura et al.



(56)

References Cited

U.S. PATENT DOCUMENTS

D277,355 S 1/1985 Miyake et al.  
 D285,893 S 9/1986 Mizuma et al.  
 D297,698 S 9/1988 Nishikawa et al.  
 D297,800 S 9/1988 Feil et al.  
 D303,063 S 8/1989 Satake  
 D330,144 S 10/1992 Takebata et al.  
 D353,511 S 12/1994 Saimen  
 D378,723 S 4/1997 Weiss  
 D385,155 S 10/1997 Weiss et al.  
 D411,074 S 6/1999 Sakai et al.  
 D413,758 S \* 9/1999 Hessen ..... D7/351  
 D430,452 S \* 9/2000 Noda ..... D7/351  
 D442,018 S \* 5/2001 Kusachi ..... D7/351  
 D479,782 S \* 9/2003 Jung ..... D7/351  
 D481,582 S 11/2003 Seum et al.  
 6,737,622 B1 \* 5/2004 Jeong ..... H05B 6/6426  
 126/273 A  
 D495,556 S 9/2004 Milrud et al.  
 D509,399 S \* 9/2005 Kanza ..... D7/351  
 D521,799 S 5/2006 Ledingham et al.  
 D522,801 S 6/2006 Lee  
 D527,572 S 9/2006 Lee et al.  
 D530,973 S 10/2006 Lee et al.  
 D531,447 S 11/2006 Lee et al.  
 D532,645 S 11/2006 Lee  
 D540,105 S 4/2007 Lee et al.  
 D540,613 S 4/2007 Jeon  
 D550,024 S 9/2007 Jeon  
 D568,675 S 5/2008 Kawata  
 D579,270 S \* 10/2008 Green ..... D7/405  
 D582,211 S \* 12/2008 Green ..... D7/405  
 D586,619 S 2/2009 Pino et al.  
 D587,959 S 3/2009 Hensel  
 D602,306 S 10/2009 Lavy  
 D625,557 S 10/2010 Pino et al.  
 D626,370 S 11/2010 Baek  
 D638,249 S 5/2011 Ryan et al.  
 D639,105 S \* 6/2011 Shin ..... D7/351  
 D655,970 S 3/2012 De'Longhi

D658,439 S 5/2012 Curtis et al.  
 D662,759 S 7/2012 Blacken et al.  
 D663,156 S 7/2012 Curtis et al.  
 D663,584 S \* 7/2012 Sadtler ..... D7/405  
 D670,529 S 11/2012 Hensel  
 D673,000 S 12/2012 De'Longhi  
 D673,001 S \* 12/2012 Becze ..... D7/351  
 D673,418 S 1/2013 Lee et al.  
 D678,711 S 3/2013 Reiner  
 D693,167 S \* 11/2013 Kim ..... D7/351  
 D705,591 S \* 5/2014 Lee ..... D7/351  
 D717,579 S 11/2014 Gregory et al.  
 D733,485 S \* 7/2015 Zhou ..... D7/351  
 D736,554 S 8/2015 Steiner et al.  
 D737,620 S 9/2015 Miller et al.  
 D737,622 S 9/2015 Miller et al.  
 D766,657 S \* 9/2016 Bergese ..... D7/405  
 D769,669 S 10/2016 Kim et al.  
 D779,876 S \* 2/2017 Chung ..... D7/405  
 D792,740 S \* 7/2017 Green ..... D7/405  
 D807,697 S \* 1/2018 Jeon ..... D7/405  
 D836,376 S \* 12/2018 Kim ..... D7/351  
 D836,377 S \* 12/2018 Kim ..... D7/351  
 D836,378 S \* 12/2018 Kim ..... D7/351  
 D843,160 S \* 3/2019 Kang ..... D7/351  
 D845,058 S \* 4/2019 Hu ..... D7/351  
 D854,873 S \* 7/2019 Hu ..... D7/351  
 D862,166 S \* 10/2019 Jo ..... D7/405  
 D862,981 S \* 10/2019 Bergese ..... D7/405  
 D873,064 S \* 1/2020 Kim ..... D7/351  
 2019/0166658 A1 \* 5/2019 Zhang ..... H05B 6/6423

OTHER PUBLICATIONS

Kitchenaid 1000-Watt Low Profile Microwave Hood Combination:  
 Announced Feb. 17, 2019 [online]. Site Visited [Feb. 24, 2020]:  
<https://www.kitchenaid.com/major-appliances/hoods-and-vents/microwave-hood-combination/p.1000-watt-low-profile-microwave-hood-combination-with-printshield-finish.kmls311hbs.html>.\*

\* cited by examiner

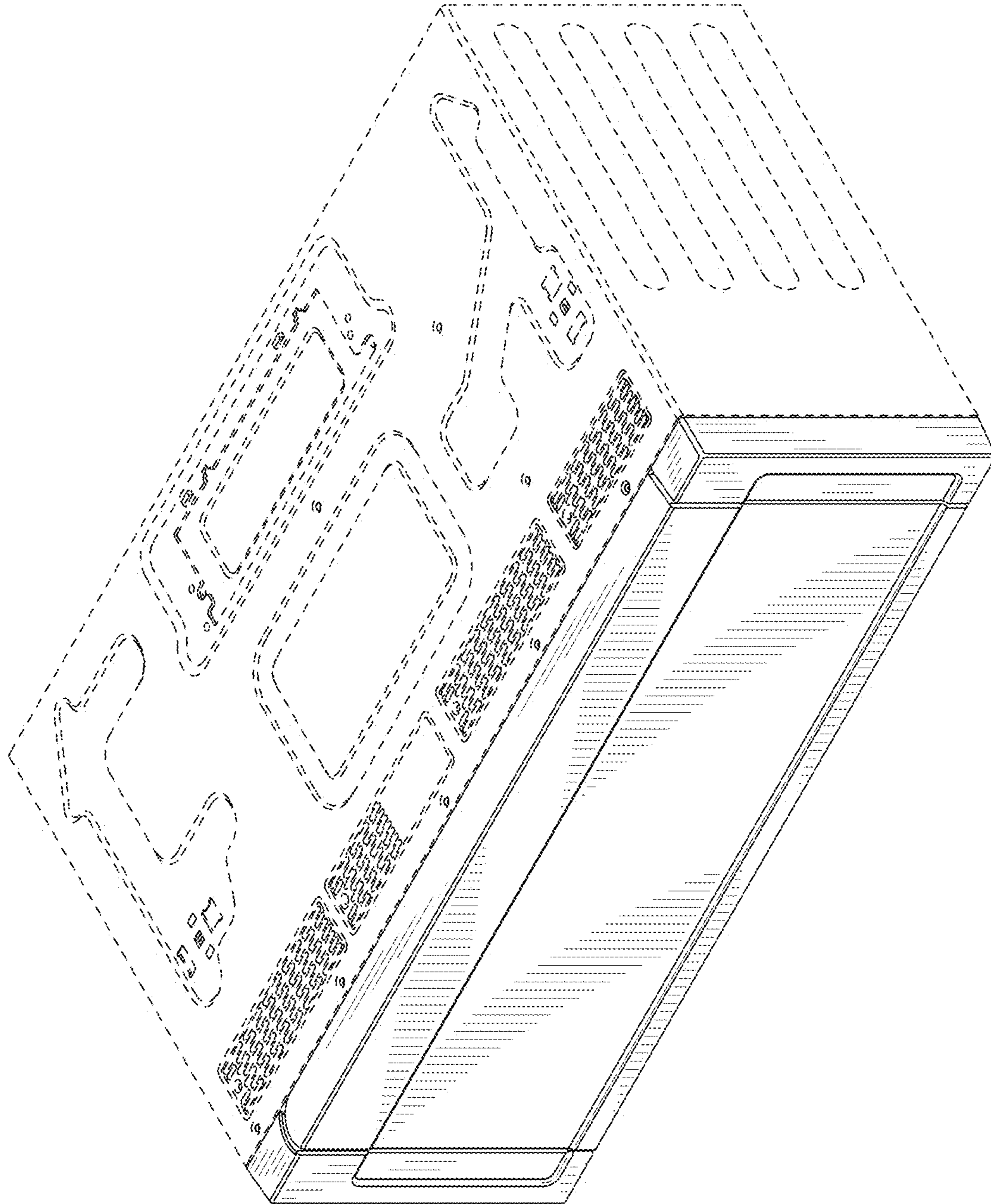


FIG. 1

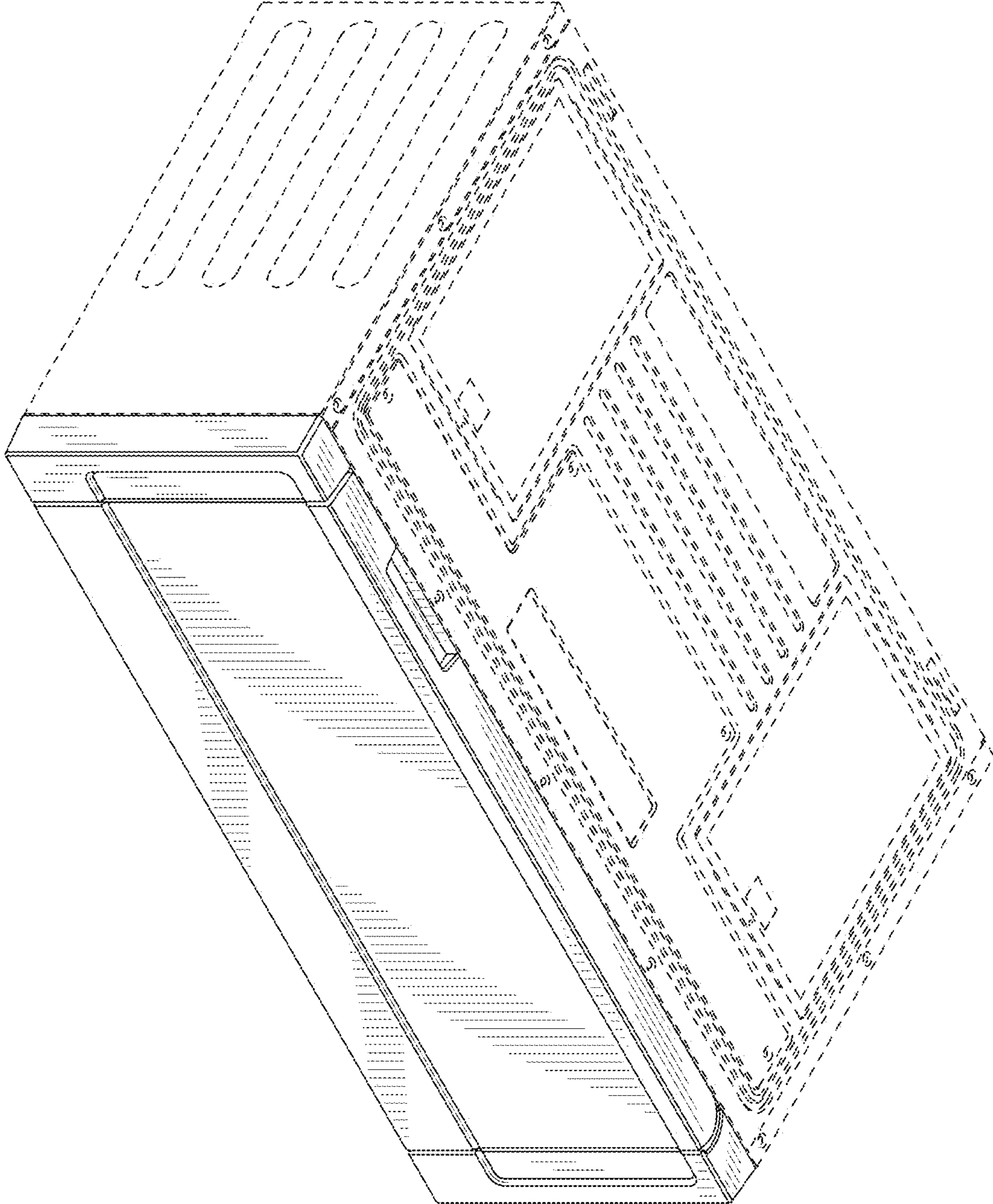
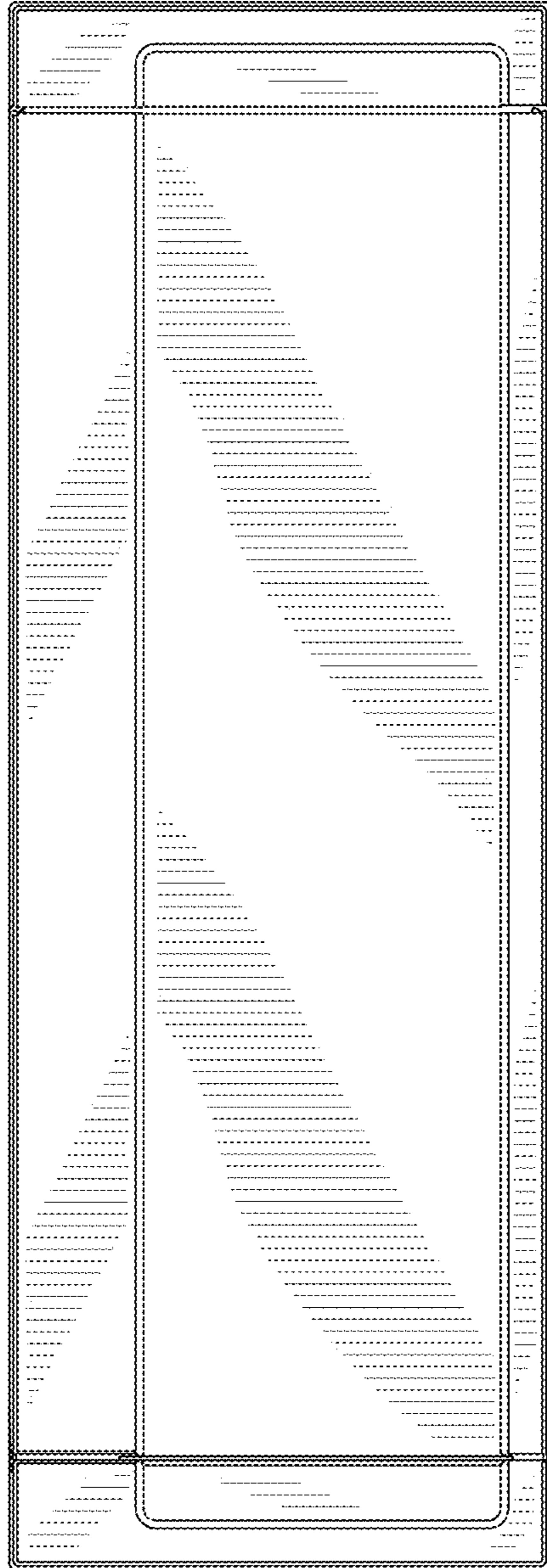


FIG. 2



**FIG. 3**

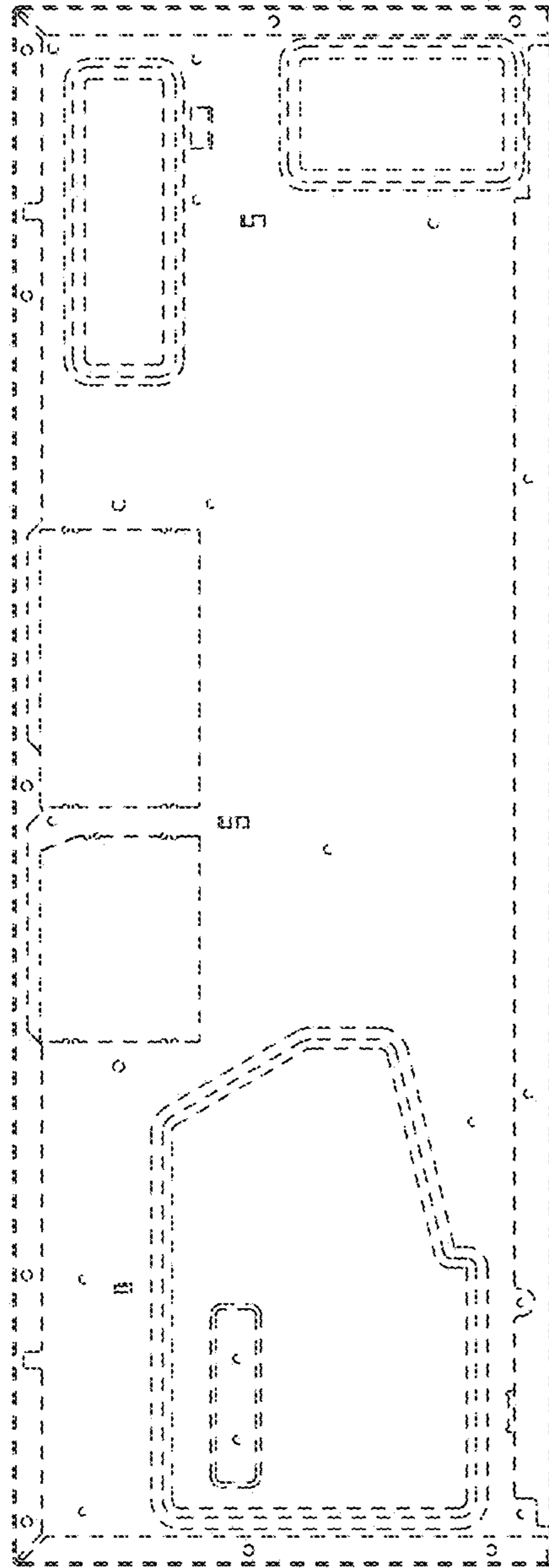
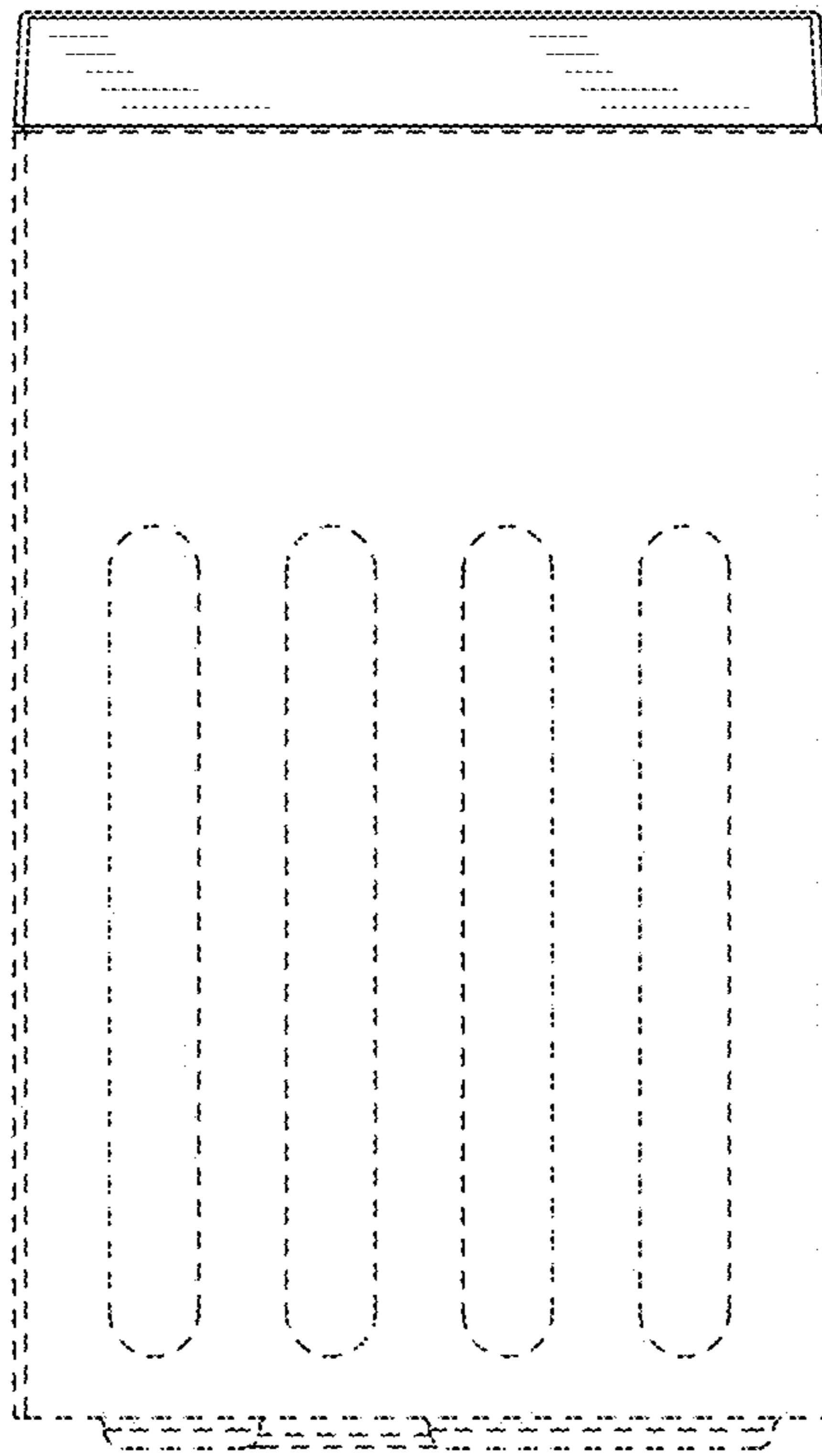


FIG. 4



**FIG. 5**

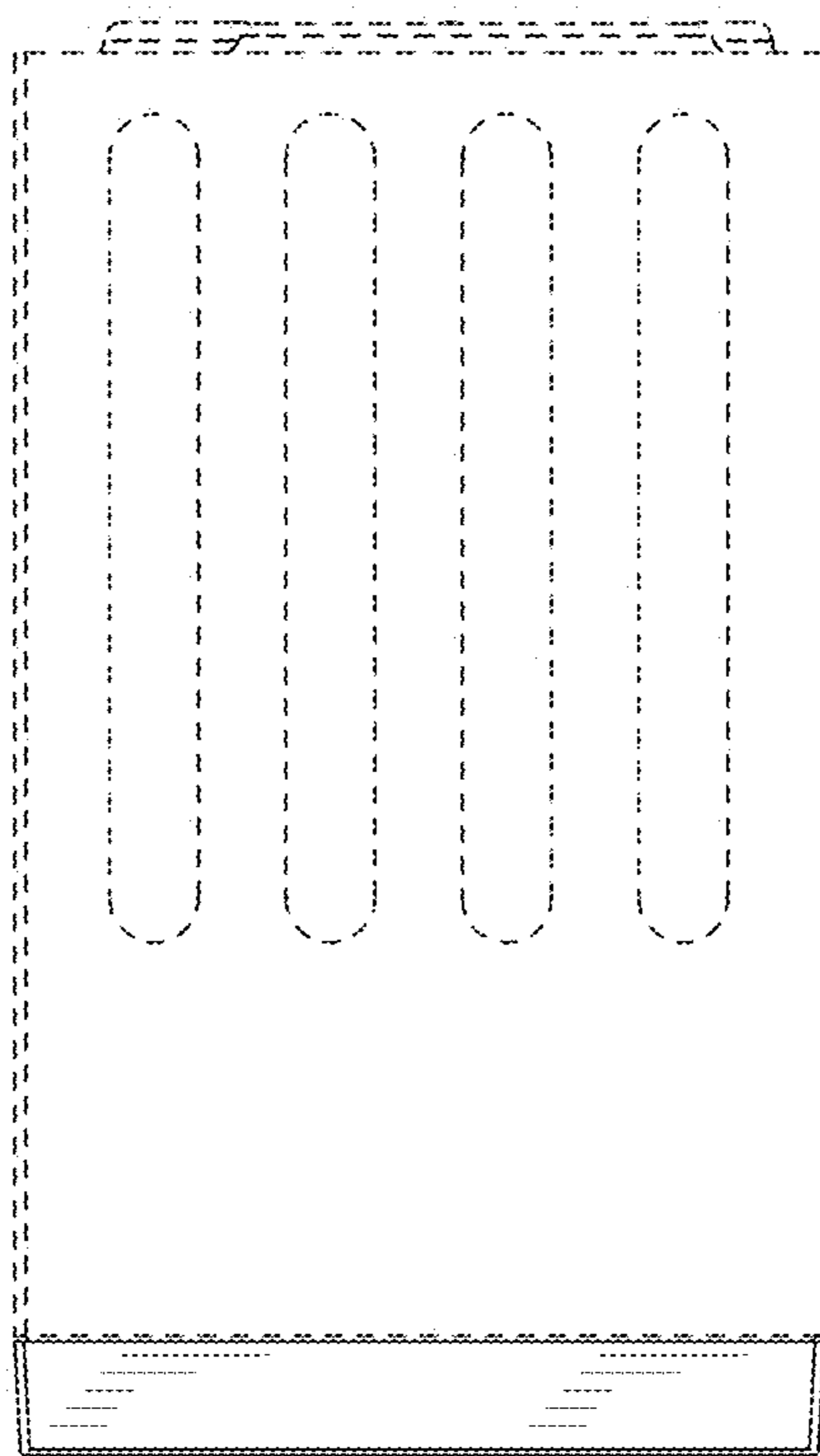


FIG. 6



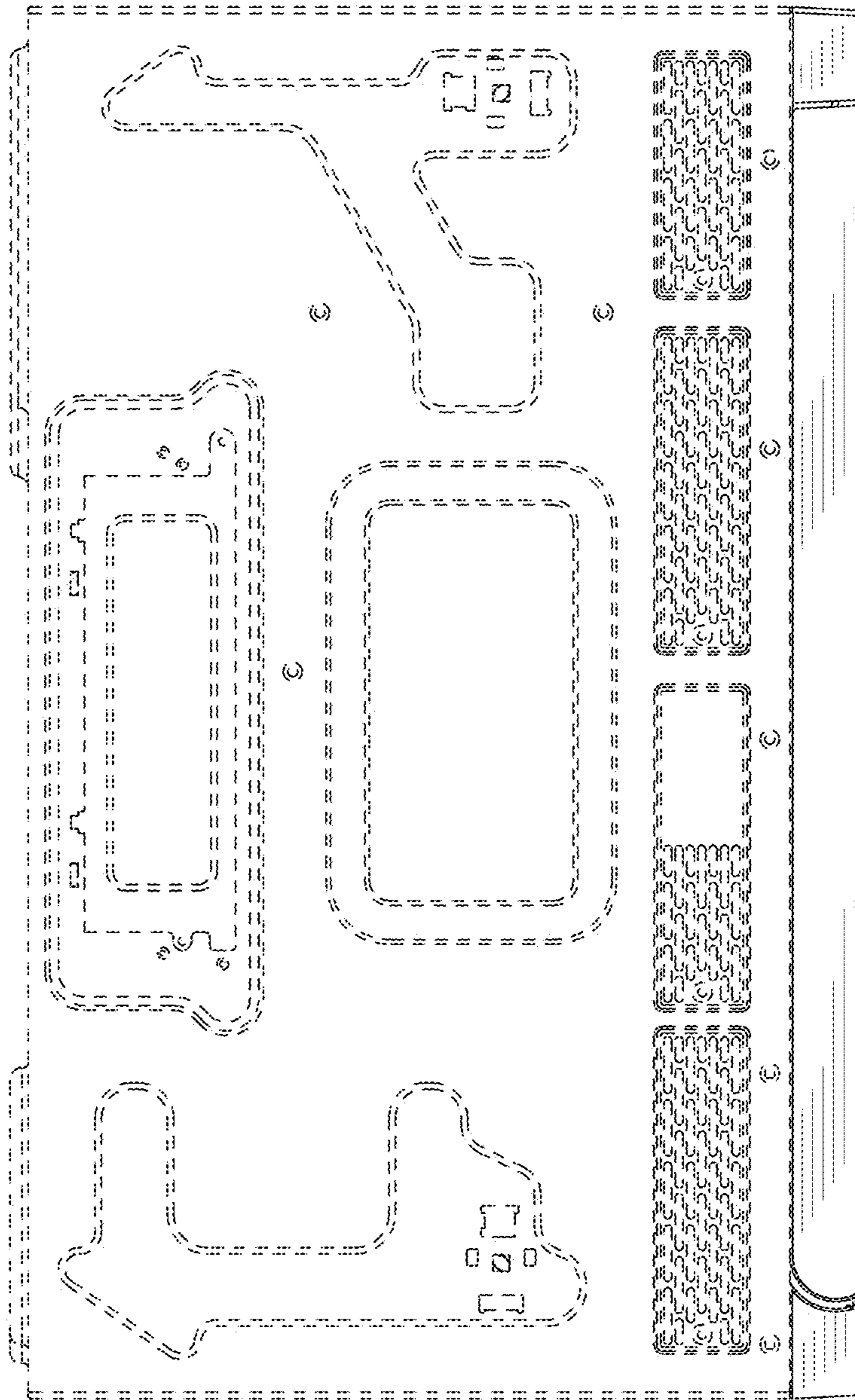


FIG. 7

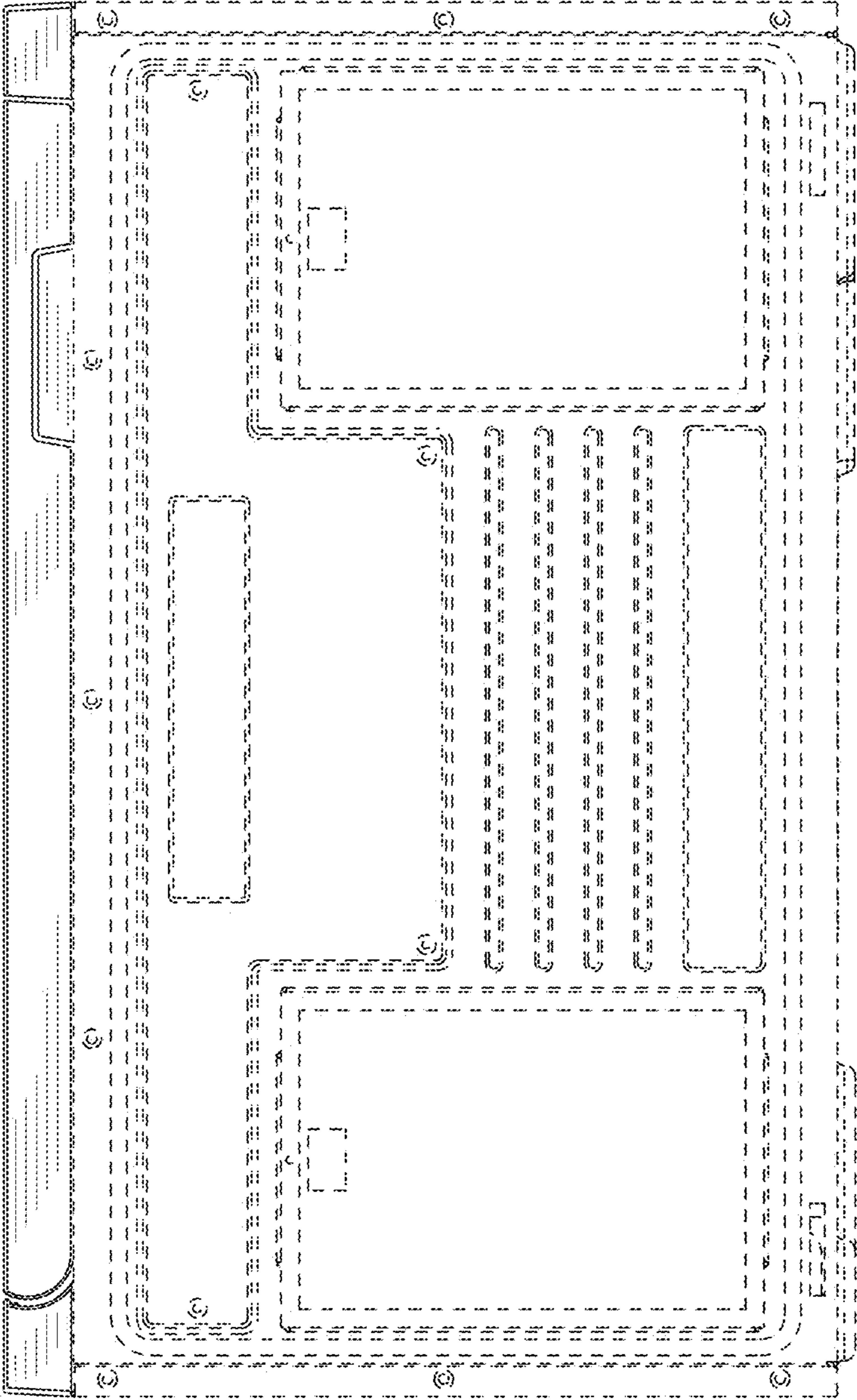


FIG. 8