



US00D898497S

(12) **United States Design Patent**
Kolberg

(10) **Patent No.:** **US D898,497 S**

(45) **Date of Patent:** **** Oct. 13, 2020**

- (54) **OFFICE CHAIR MECHANISM**
- (71) Applicant: **BOCK 1 GMBH & CO. KG**,
Postbauer-Heng (DE)
- (72) Inventor: **Justus Kolberg**, Hamburg (DE)
- (73) Assignee: **Bock 1 GmbH & Co. KG**, Post
Bauer-Heng (DE)
- (**) Term: **15 Years**
- (21) Appl. No.: **29/656,573**
- (22) Filed: **Jul. 13, 2018**

D579,241 S *	10/2008	Breen	D6/716.7
D599,586 S *	9/2009	Moreschi	D6/716.7
D647,736 S *	11/2011	Costaglia	D6/716.7
D649,813 S *	12/2011	Costaglia	D6/716.7
D649,814 S *	12/2011	Costaglia	D6/716.7
D649,815 S *	12/2011	Costaglia	D6/716.7
D653,481 S *	2/2012	Moreschi	D6/716.7
D657,167 S *	4/2012	Costaglia	D6/716.7
2007/0228801 A1 *	10/2007	Matern	A47C 1/03233 297/463.1
2019/0343284 A1 *	11/2019	Ni	A47C 1/03274
2019/0343287 A1 *	11/2019	Ni	A47C 1/023

* cited by examiner

Primary Examiner — Jennifer L Rempfer
(74) *Attorney, Agent, or Firm* — Laurence A. Greenberg;
Werner H. Stemer; Ralph E. Locher

Related U.S. Application Data

- (62) Division of application No. 35/503,213, filed on May 15, 2017 (U.S. filing date under 35 U.S.C. 384), and having an international filing date of May 15, 2017, now Pat. No. Des. 853,163.
- (51) **LOC (12) Cl.** **06-06**
- (52) **U.S. Cl.**
USPC **D6/716.7**
- (58) **Field of Classification Search**
USPC D6/310, 334-336, 716.7, 716.1, 716
CPC A47C 3/18; A47C 1/023; A47C 3/026; F16H
21/36
See application file for complete search history.

(57) **CLAIM**

The ornamental design for an office chair mechanism, as shown and described.

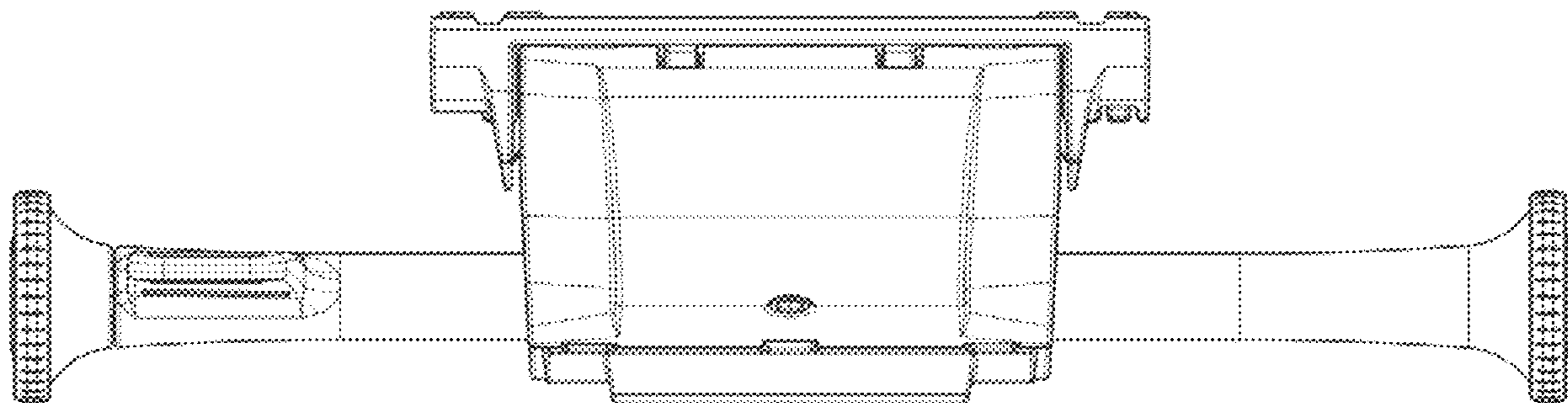
DESCRIPTION

FIG. 1 is a front elevation view of the office chair mechanism showing my new design;
FIG. 2 is a rear elevation view thereof;
FIG. 3 is a right side elevation view thereof;
FIG. 4 is a top plan view thereof;
FIG. 5 is a bottom plan view thereof;
FIG. 6 is a left side elevation view thereof;
FIG. 7 is a front perspective view thereof; and,
FIG. 8 is a rear perspective view thereof.
The broken lines shown in the drawing represent portions of the office chair mechanism that form no part of the claimed design.

(56) **References Cited**
U.S. PATENT DOCUMENTS

D550,990 S *	9/2007	Donati	D6/716.7
D557,946 S *	12/2007	Matern	D6/716.7
D573,815 S *	7/2008	Matern	D6/716.7

1 Claim, 8 Drawing Sheets



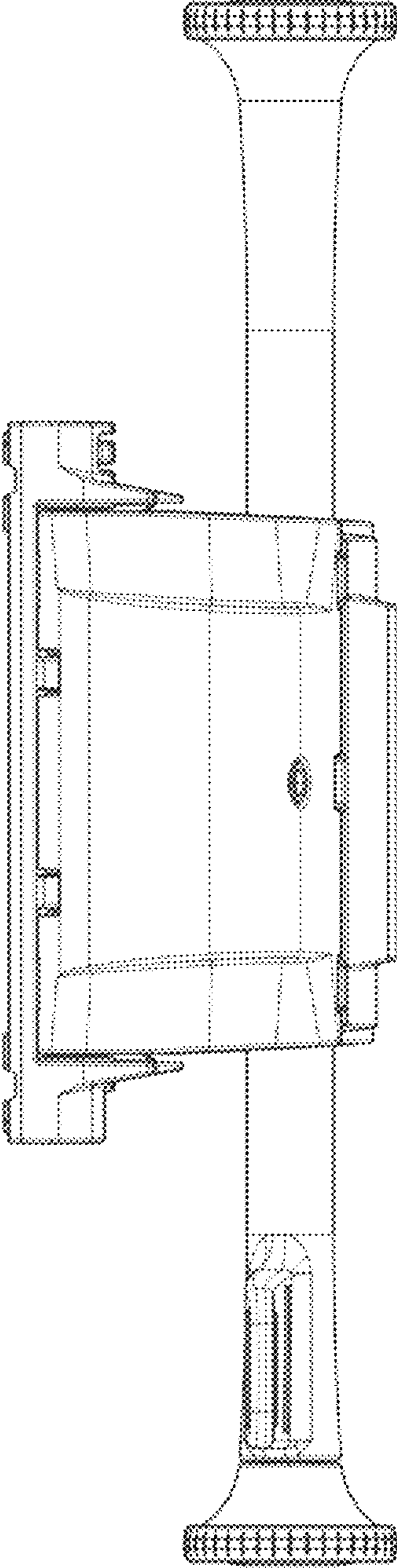


FIG. 1

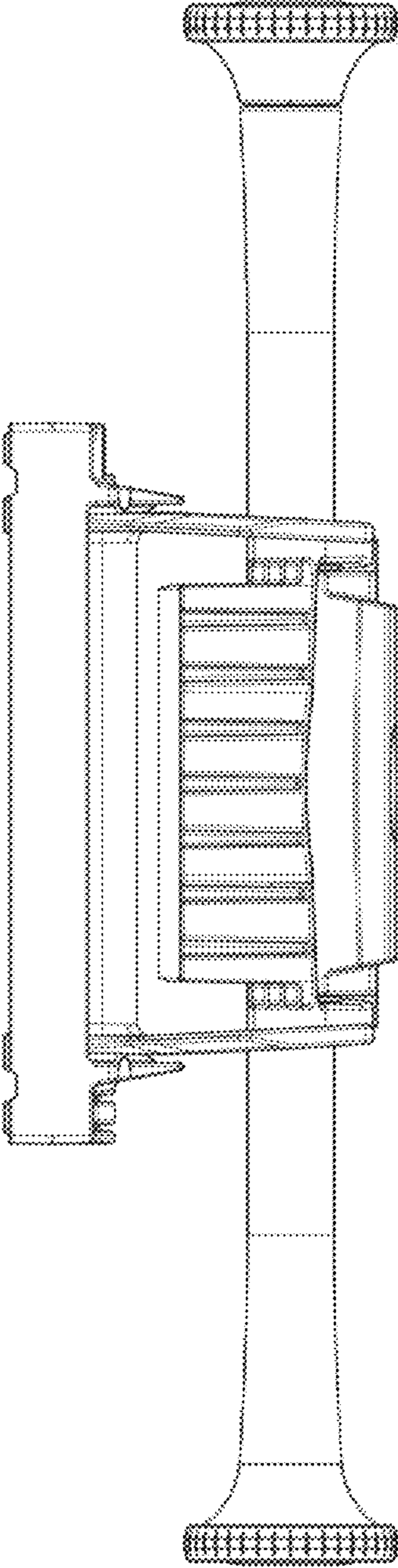


FIG. 2

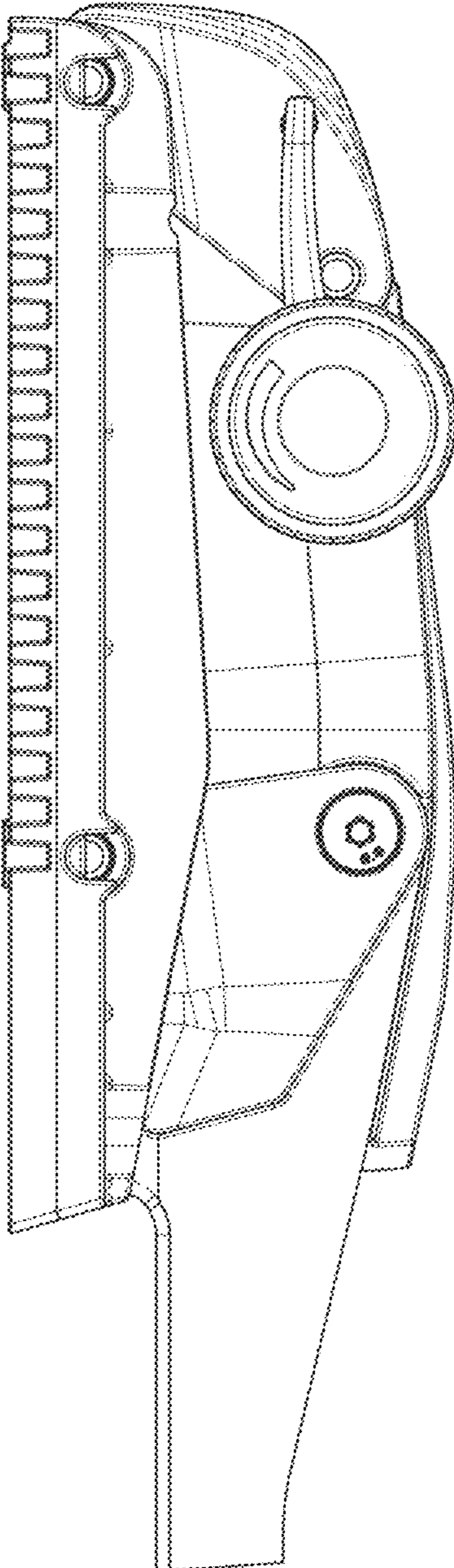


FIG. 3

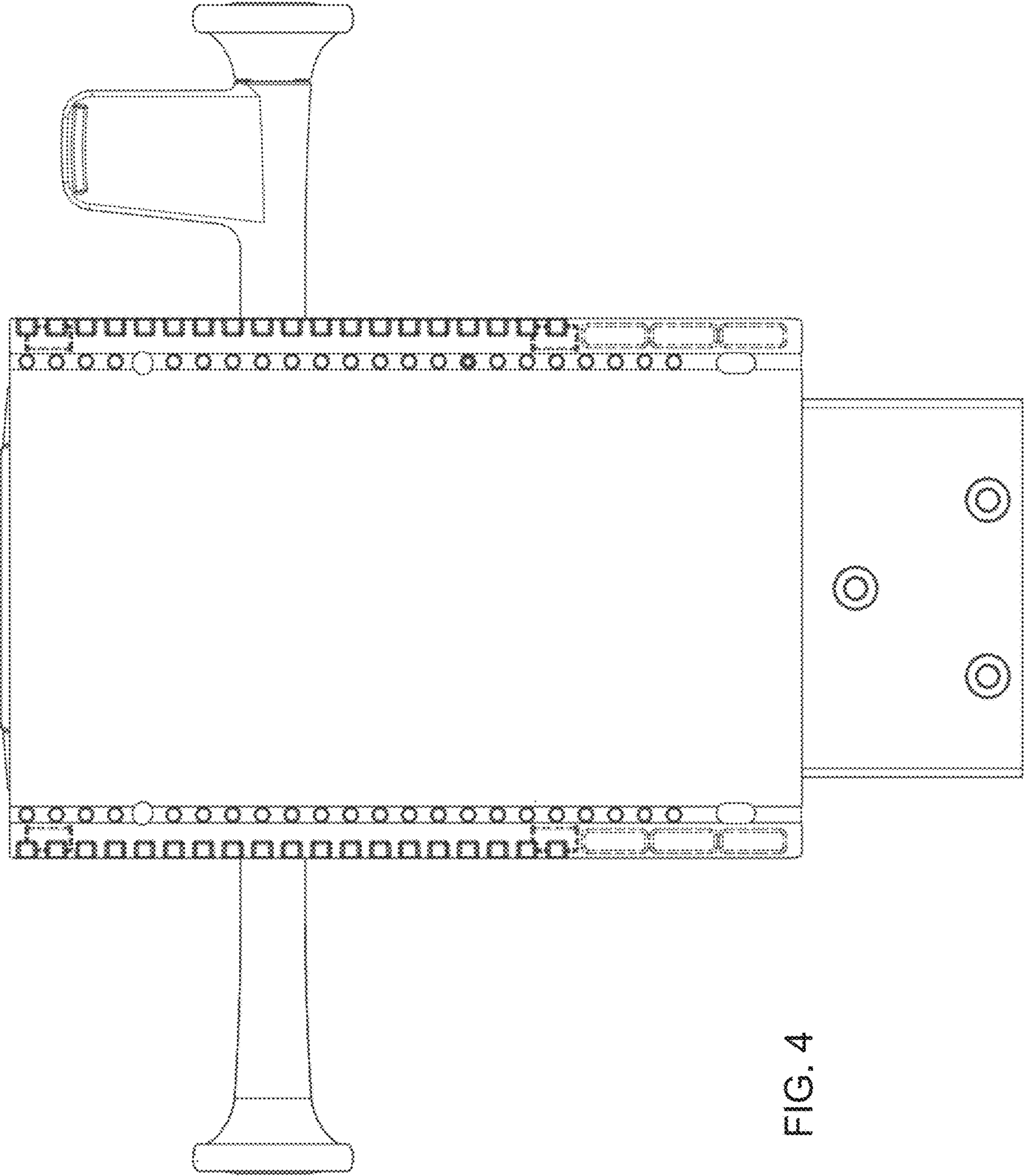


FIG. 4

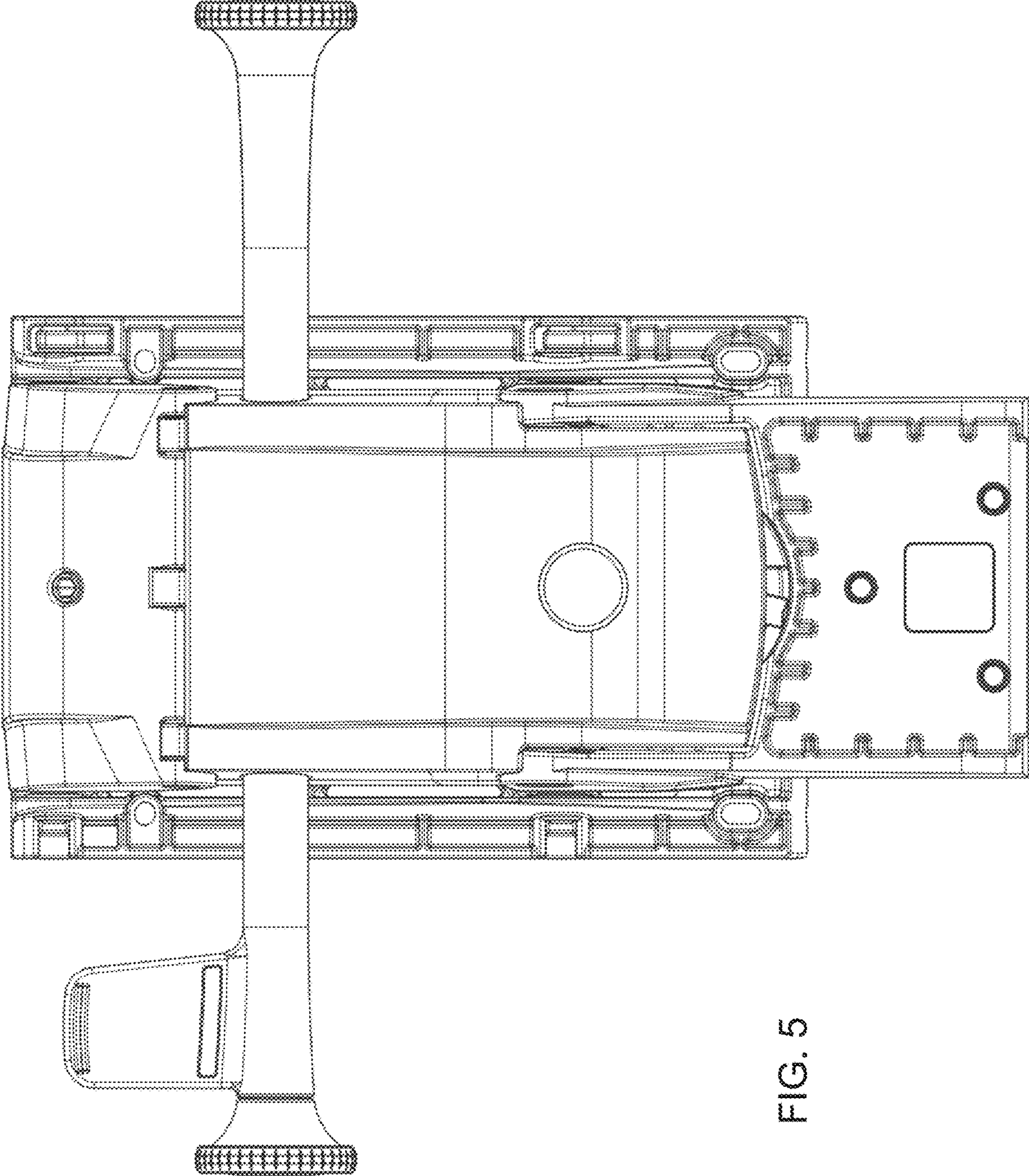


FIG. 5

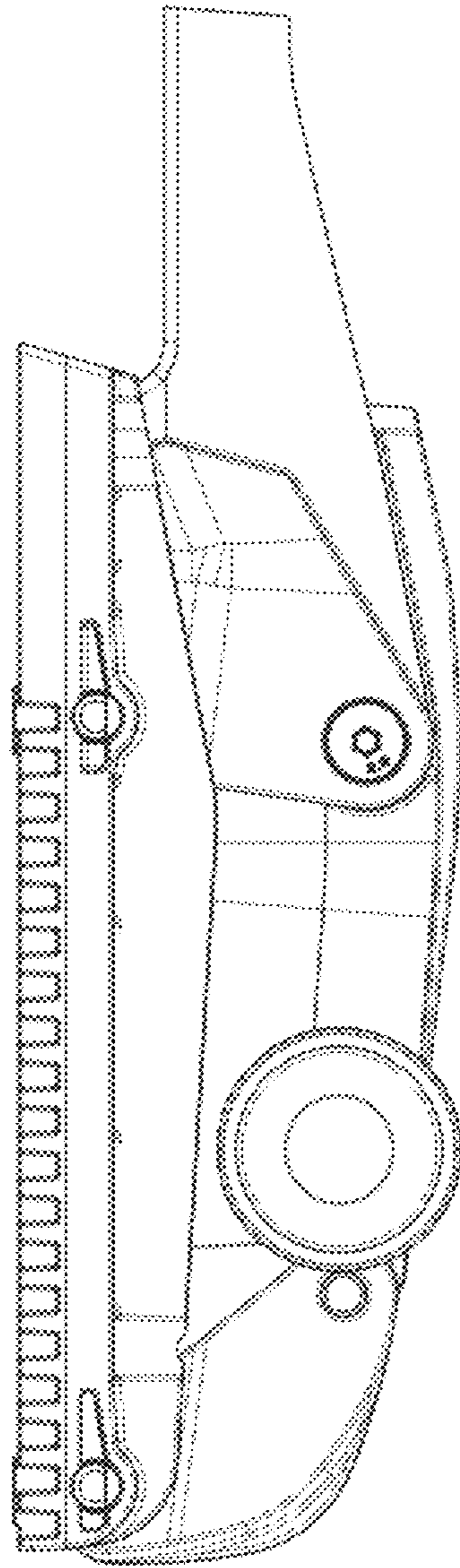


FIG. 6

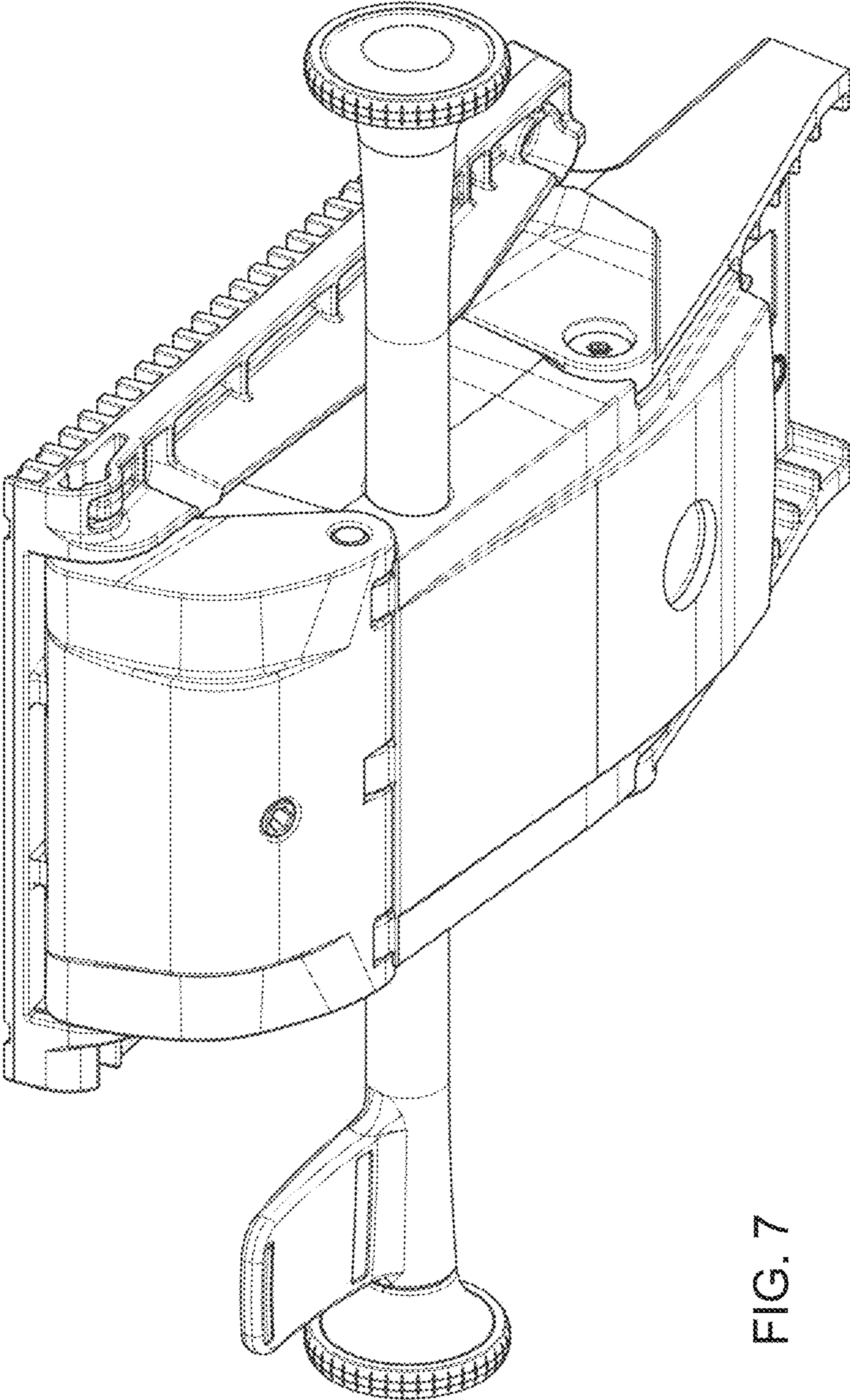


FIG. 7

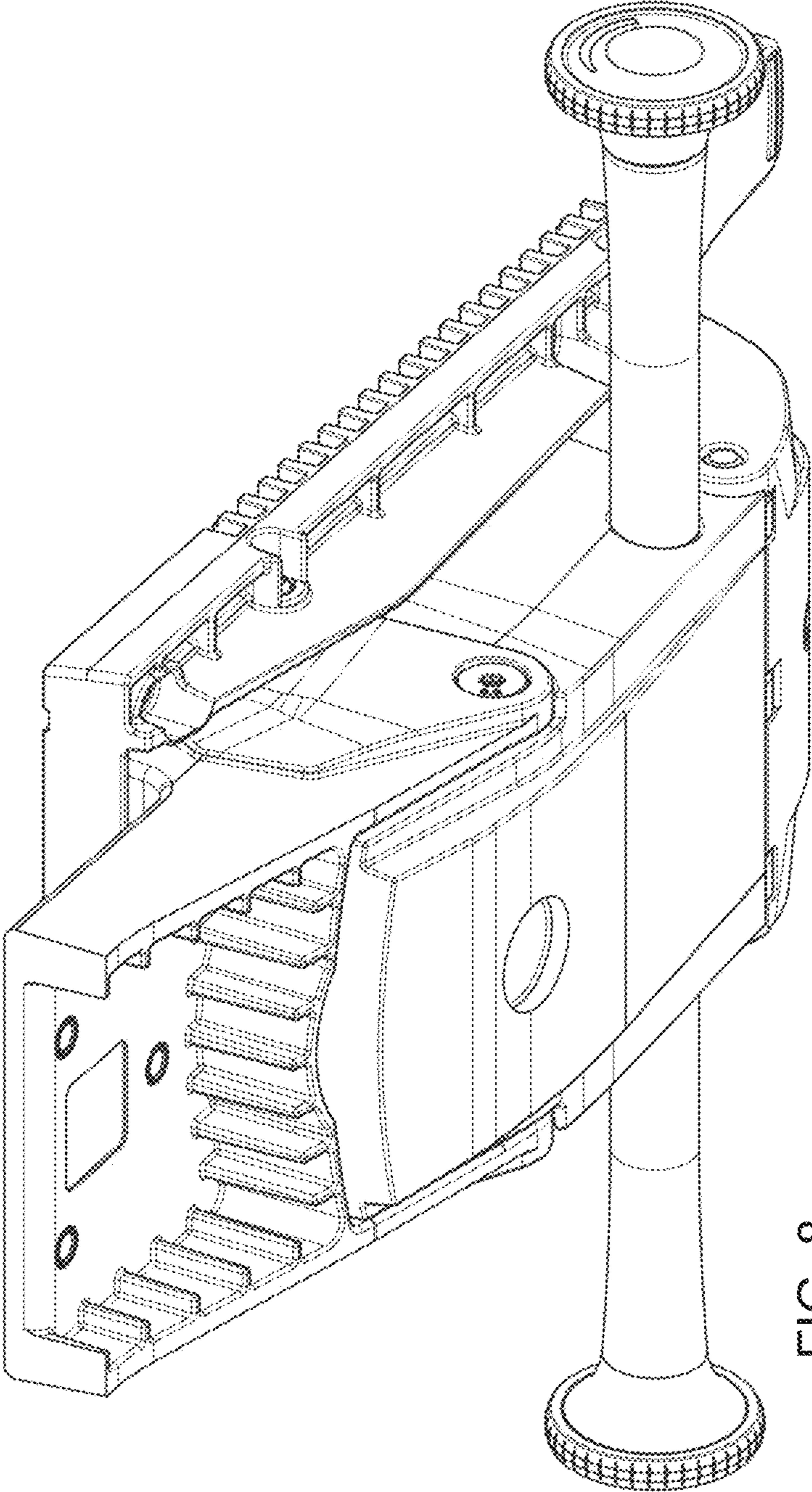


FIG. 8