



US00D898496S

(12) **United States Design Patent** (10) **Patent No.:** **US D898,496 S**
Huennekens et al. (45) **Date of Patent:** **** Oct. 13, 2020**

- (54) **CHAIR**
- (71) Applicant: **Exemplis LLC**, Cypress, CA (US)
- (72) Inventors: **Adam Huennekens**, Fullerton, CA (US); **Mitchell Mulder**, White Salmon, WA (US); **Mark Maul**, Whittier, CA (US)
- (73) Assignee: **EXEMPLIS LLC**, Cypress, CA (US)
- (**) Term: **15 Years**
- (21) Appl. No.: **29/650,972**
- (22) Filed: **Jun. 11, 2018**
- (51) **LOC (12) Cl.** **06-01**
- (52) **U.S. Cl.**
USPC **D6/716.4**
- (58) **Field of Classification Search**
USPC D6/334, 335, 349, 353, 354, 356, 360, D6/361, 362, 364, 365, 366, 371, 374, D6/375, 377, 379, 380, 381, 708.23, 709, D6/716.4
CPC A47C 4/02; A47C 4/04; A47C 4/52; A47C 11/00; A47C 15/002; A47C 1/03; A47C 7/002; A47C 1/00
See application file for complete search history.

- D643,641 S * 8/2011 Figueroa D6/366
 - D643,642 S * 8/2011 Figueroa A47C 1/023
D6/366
 - D671,759 S * 12/2012 Hurford D6/366
 - D688,055 S * 8/2013 Baldanzi D6/366
 - D708,878 S * 7/2014 Ledat D6/716
 - D710,640 S * 8/2014 Usumoto A47C 7/282
D6/366
 - 8,998,339 B2 * 4/2015 Peterson A47C 1/024
297/452.56
 - D728,292 S * 5/2015 Ooki D6/366
 - D774,320 S * 12/2016 Hsiao D6/366
 - 9,706,845 B2 * 7/2017 Battey A47C 1/023
 - 10,238,215 B2 * 3/2019 Peterson A47C 31/023
- (Continued)

- (56) **References Cited**
U.S. PATENT DOCUMENTS
- 5,582,459 A 12/1996 Hama et al.
- D445,580 S * 7/2001 Pennington D6/366
- 6,471,294 B1 10/2002 Dammermann et al.
- D509,969 S * 9/2005 Loew D6/366
- 7,097,247 B2 8/2006 Battey et al.
- D543,397 S * 5/2007 Loew D6/366
- 7,568,763 B2 8/2009 Bedford et al.
- 7,798,573 B2 9/2010 Pennington et al.
- 7,837,272 B2 * 11/2010 Masunaga A47C 7/282
297/218.1

OTHER PUBLICATIONS

Amlify, date unknown, found on Jan. 31, 2020 at <https://sitonit.net/> (Year: 2020).*

(Continued)

Primary Examiner — Karen S Acker
(74) *Attorney, Agent, or Firm* — Knobbe, Martens, Olson & Bear, LLP

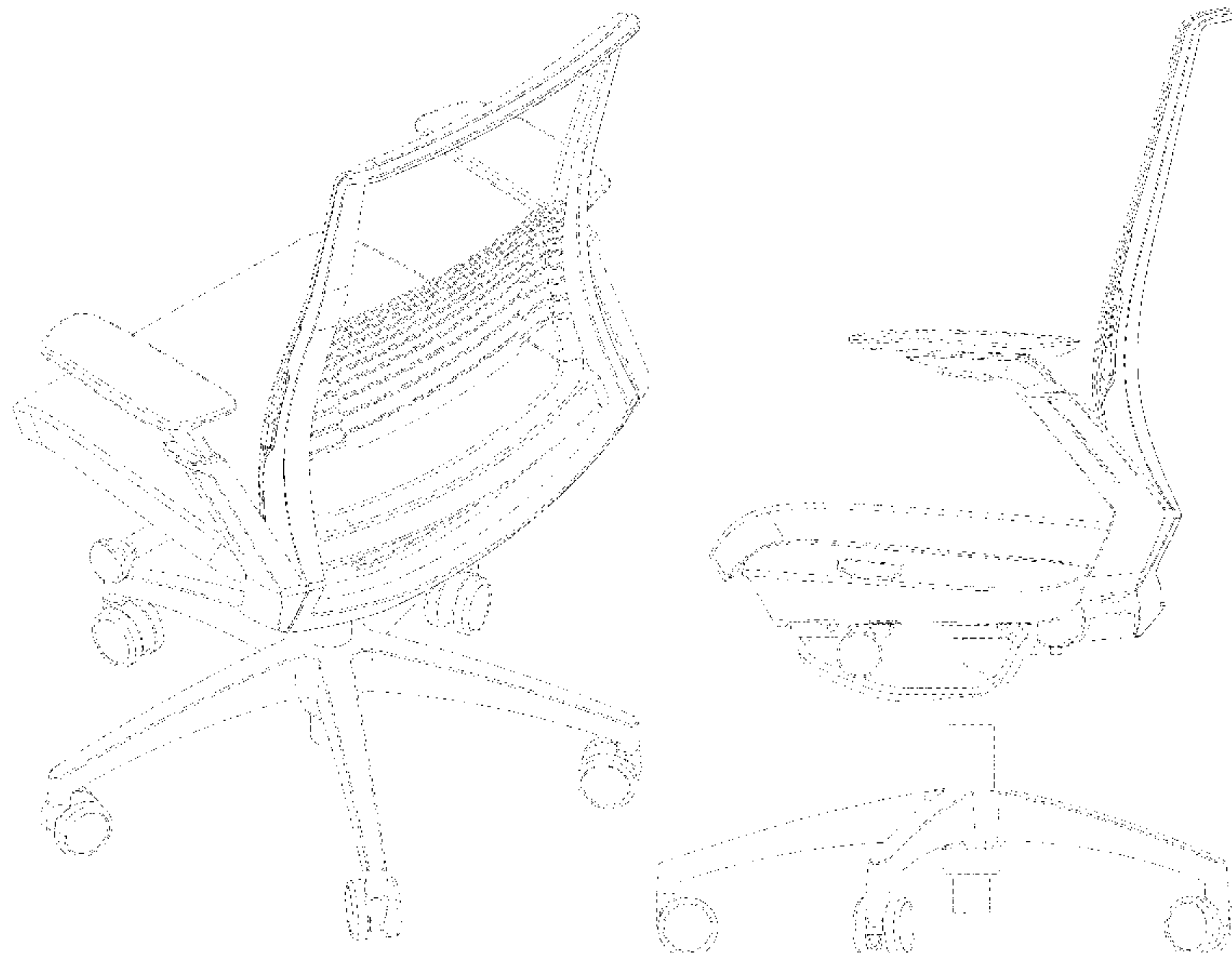
(57) **CLAIM**

The ornamental design for a chair, as shown and described.

DESCRIPTION

FIG. 1 is a top, rear, and left side perspective view of the chair;
FIG. 2 is a front elevational view thereof;
FIG. 3 is a rear elevational view thereof;
FIG. 4 is a left-side elevational view thereof;
FIG. 5 is a right-side elevational view thereof;
FIG. 6 is a top plan view thereof; and,
FIG. 7 is a bottom plan view thereof.
The broken lines in the figures depict portions of the chair that form no part of the claimed design.

1 Claim, 7 Drawing Sheets



(56)

References Cited

U.S. PATENT DOCUMENTS

D878,790 S * 3/2020 Wang D6/366
2002/0038843 A1 * 4/2002 Footitt B60B 33/0042
248/188.7
2002/0043871 A1 * 4/2002 Prince A47C 7/282
297/452.55
2004/0051358 A1 * 3/2004 Bodnar A47C 1/023
297/300.1
2005/0184568 A1 * 8/2005 Schmidt A47C 7/465
297/284.4
2017/0231395 A1 * 8/2017 Brueske A47C 7/462
297/301.1
2019/0380497 A1 * 12/2019 Costaglia A47C 1/03255

OTHER PUBLICATIONS

Authorized Federal Supply Schedule, GSA Exemplis, Contract No. 47QSM18D08NQ, Schedule 71, Furniture, Dec. 20, 2017, found on Jan. 31, 2020 (Year: 2017).*

* cited by examiner

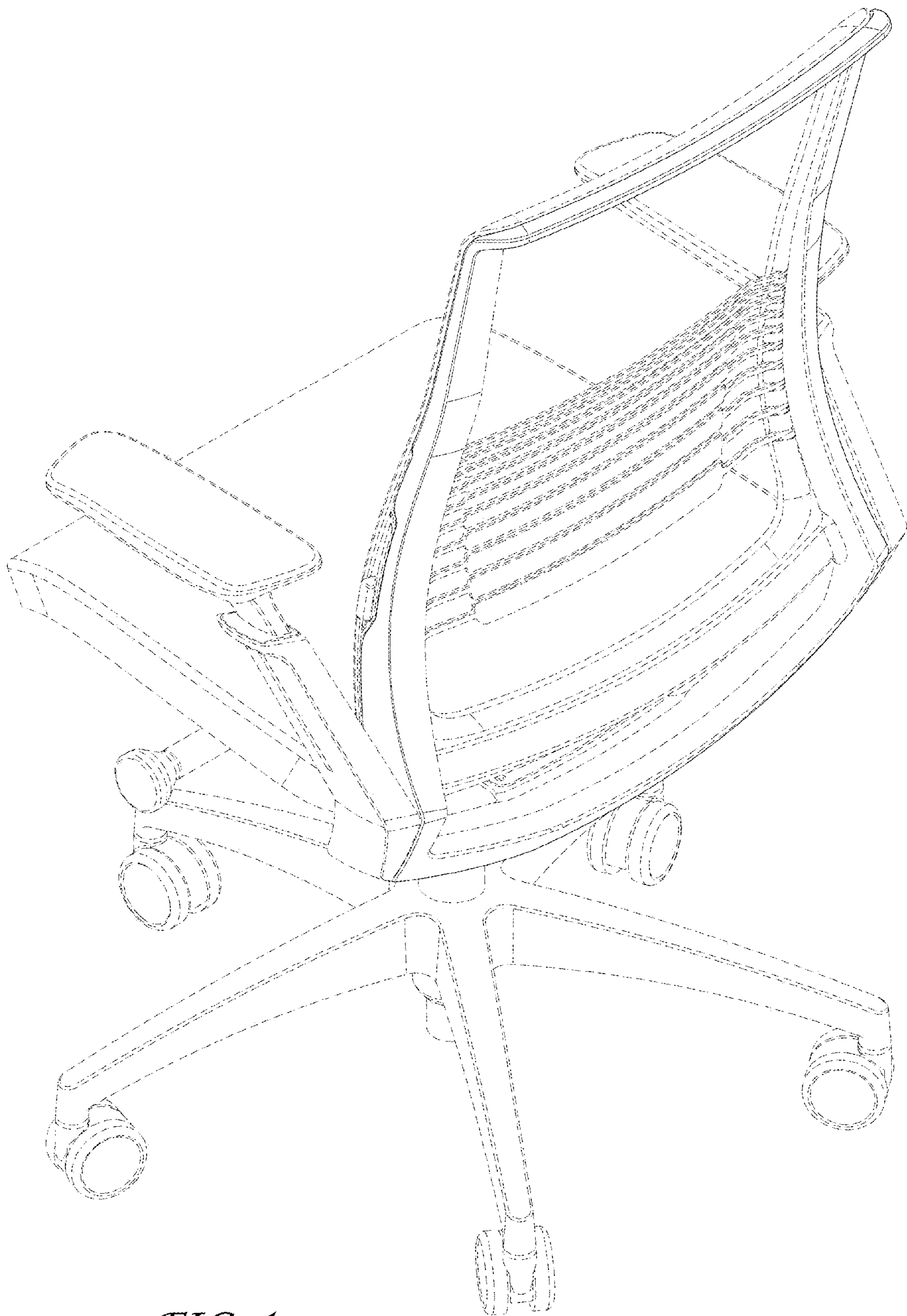


FIG. 1

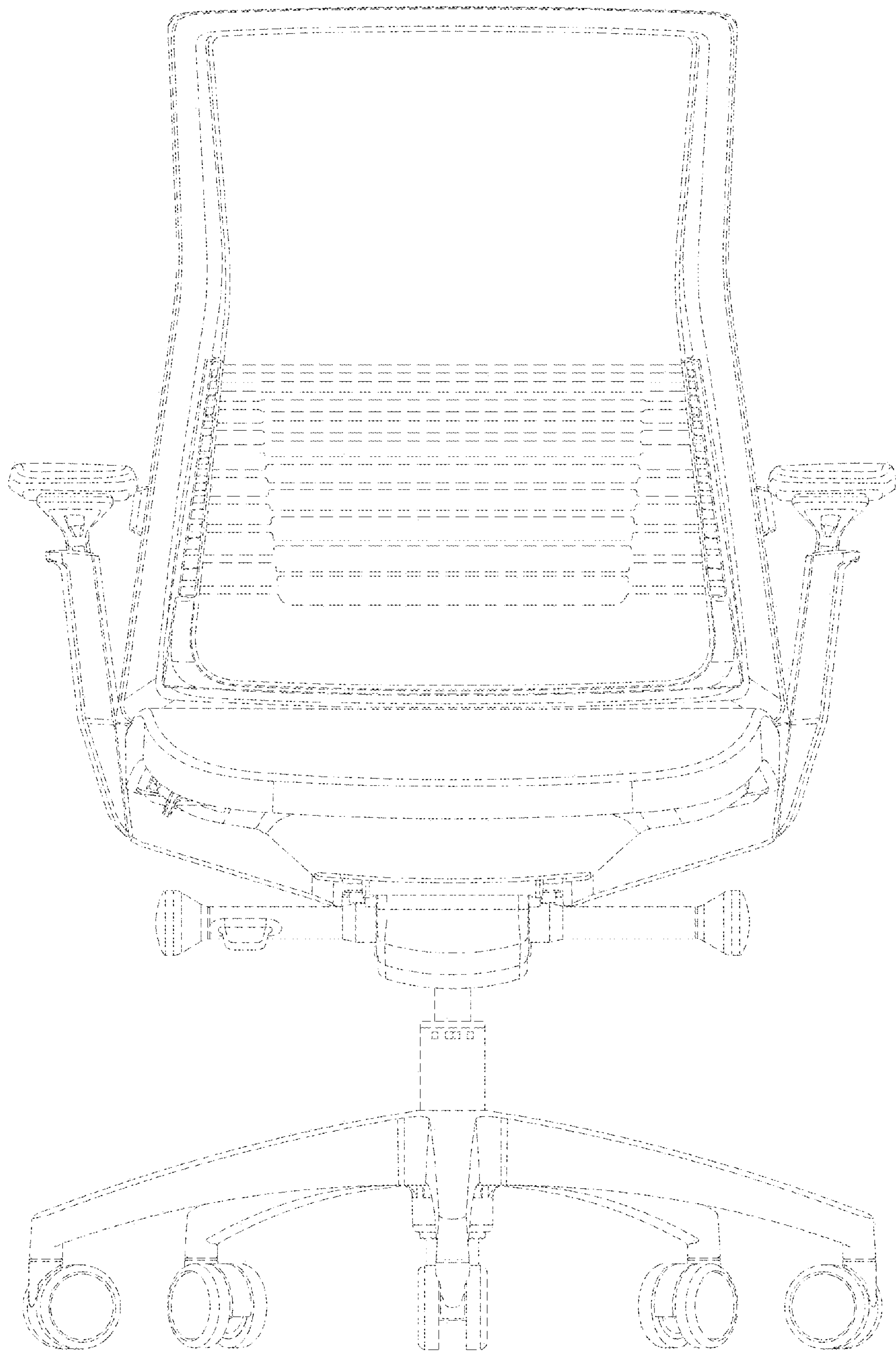


FIG. 2

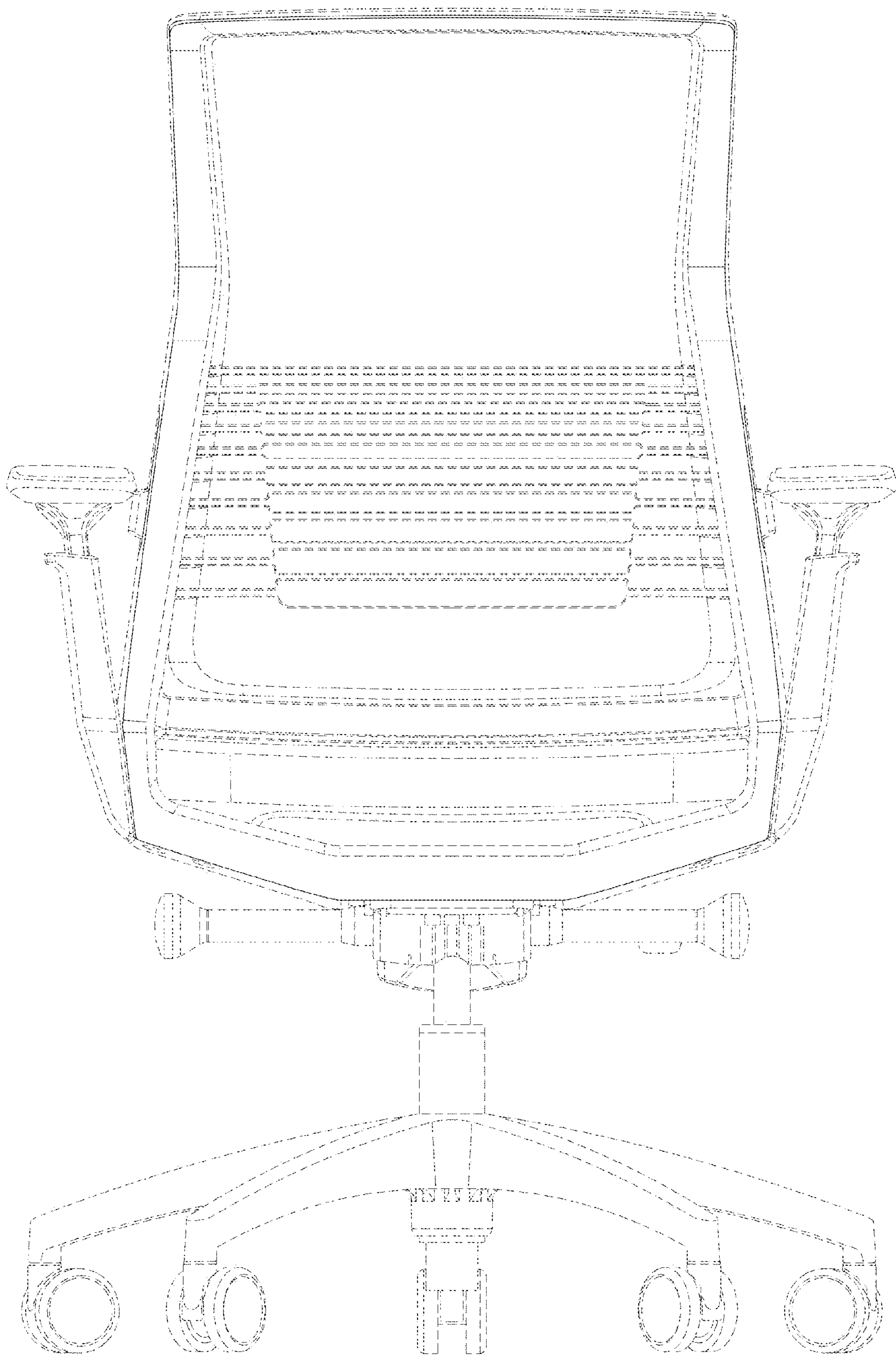


FIG. 3

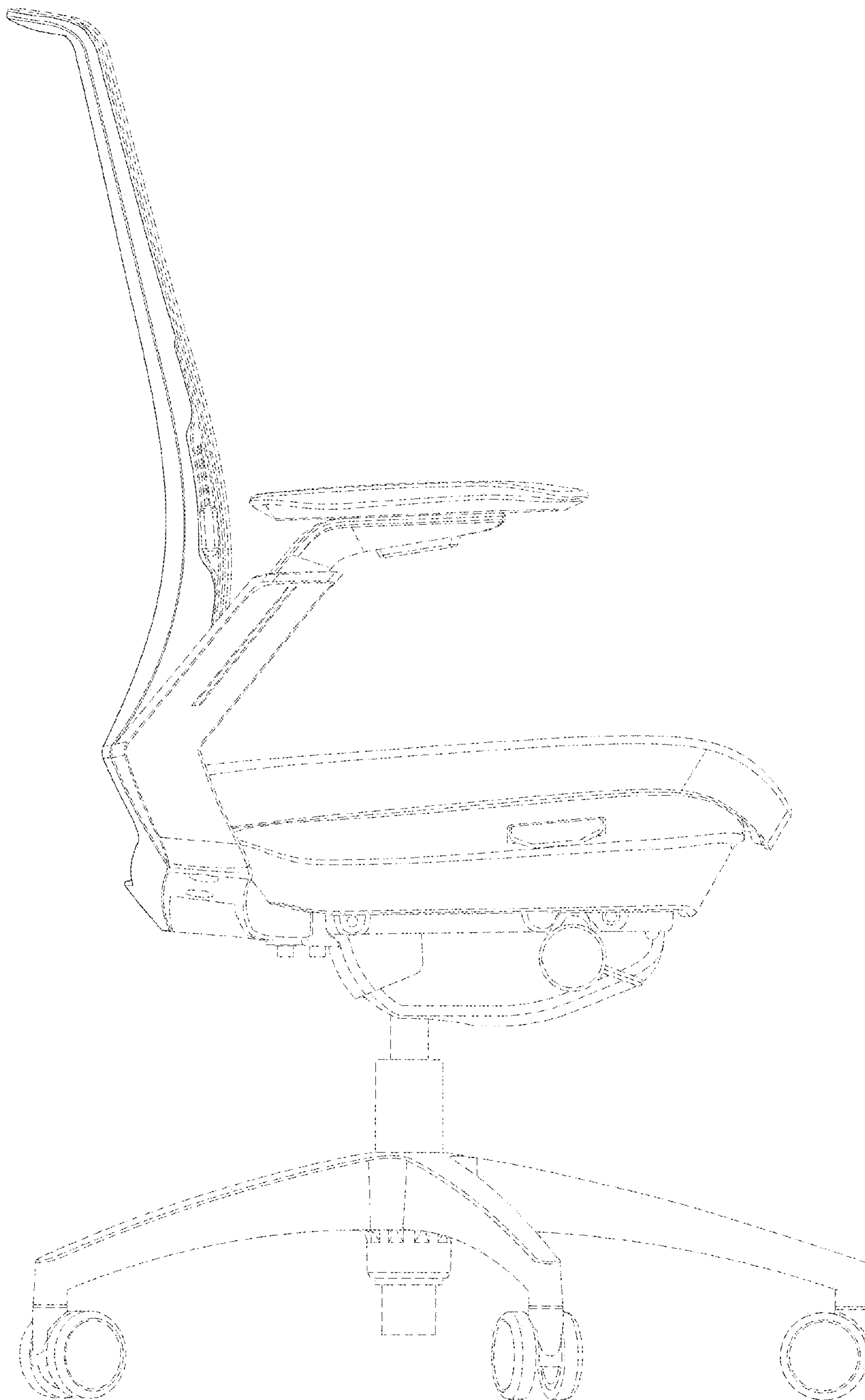


FIG. 4

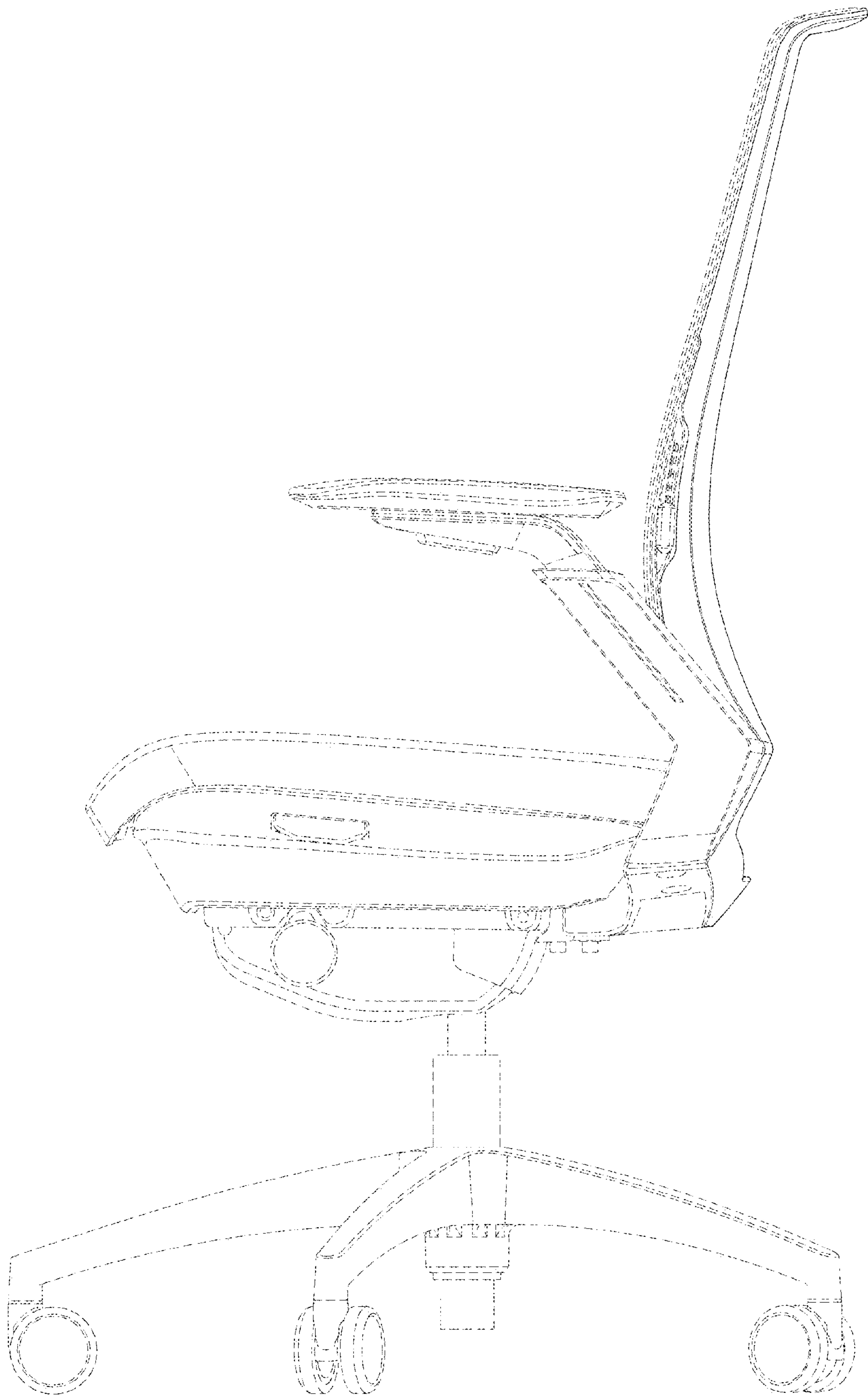


FIG. 5



FIG. 6

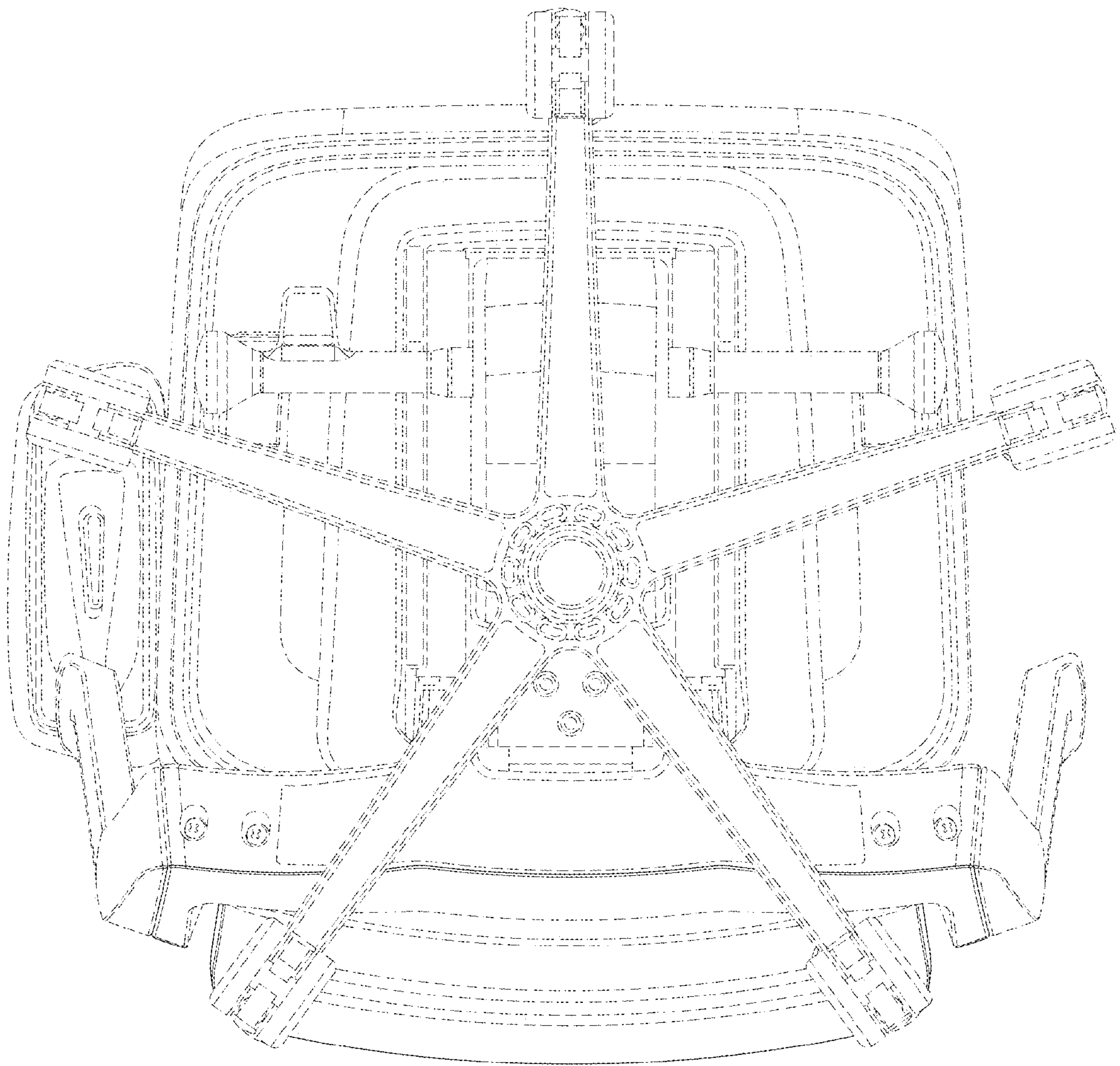


FIG. 7