



US00D898495S

(12) **United States Design Patent**  
**Mulder**

(10) **Patent No.:** **US D898,495 S**

(45) **Date of Patent:** **\*\* Oct. 13, 2020**

(54) **CHAIR**

(71) Applicant: **Exemplis LLC**, Cypress, CA (US)

(72) Inventor: **Mitchell Mulder**, White Salmon, WA (US)

(73) Assignee: **EXEMPLIS LLC**, Cypress, CA (US)

(\*\*) Term: **15 Years**

(21) Appl. No.: **29/650,970**

(22) Filed: **Jun. 11, 2018**

(51) **LOC (12) Cl.** ..... **06-01**

(52) **U.S. Cl.**  
USPC ..... **D6/716.4**

(58) **Field of Classification Search**  
USPC ..... D6/334, 335, 349, 353, 354, 356, 360,  
D6/361, 362, 364, 365, 366, 371, 374,  
D6/375, 377, 379, 380, 381, 708.23, 709,  
D6/716.4  
CPC .... A47C 4/02; A47C 4/04; A47C 4/52; A47C  
11/00; A47C 15/002; A47C 1/03; A47C  
7/002; A47C 1/00

See application file for complete search history.

(56) **References Cited**

**U.S. PATENT DOCUMENTS**

D279,153 S *	6/1985	Aronowitz	.....	D6/716.3
5,247,925 A *	9/1993	Yamasaki	.....	A61H 1/00 601/49
5,318,347 A *	6/1994	Tseng	.....	A47C 1/03 297/411.2
D368,817 S *	4/1996	Schultz	.....	D6/716.3
D370,789 S *	6/1996	Groulx	.....	D6/366
D395,762 S *	7/1998	Saul	.....	D6/366
D405,283 S *	2/1999	James	.....	A47C 1/03 D6/366
D405,618 S *	2/1999	Reutepohler	.....	D6/366
D418,316 S *	1/2000	Vogtherr	.....	D6/366

D445,579 S *	7/2001	Olson	.....	D6/366
6,557,943 B2 *	5/2003	Ando	.....	A47C 7/72 248/424
D543,388 S *	5/2007	Machael	.....	D6/366
D554,381 S *	11/2007	Valdiserri	.....	D6/366
D564,766 S *	3/2008	Zimmermann	.....	D6/366
D647,717 S *	11/2011	Zund	.....	D6/366
D648,552 S *	11/2011	Izawa	.....	D6/366
D652,646 S *	1/2012	Fujita	.....	D6/366
D659,417 S *	5/2012	Schmitz	.....	D6/366

(Continued)

**OTHER PUBLICATIONS**

HIP at NeoCon 2014 Winners: Design, Jun. 9, 2014, found on Apr. 27, 2020 at <https://www.interiordesign.net/slideshows/detail/8080-hip-design-solutions/> (Year: 2014).\*

(Continued)

*Primary Examiner* — Karen S Acker

(74) *Attorney, Agent, or Firm* — Knobbe, Martens, Olson & Bear, LLP

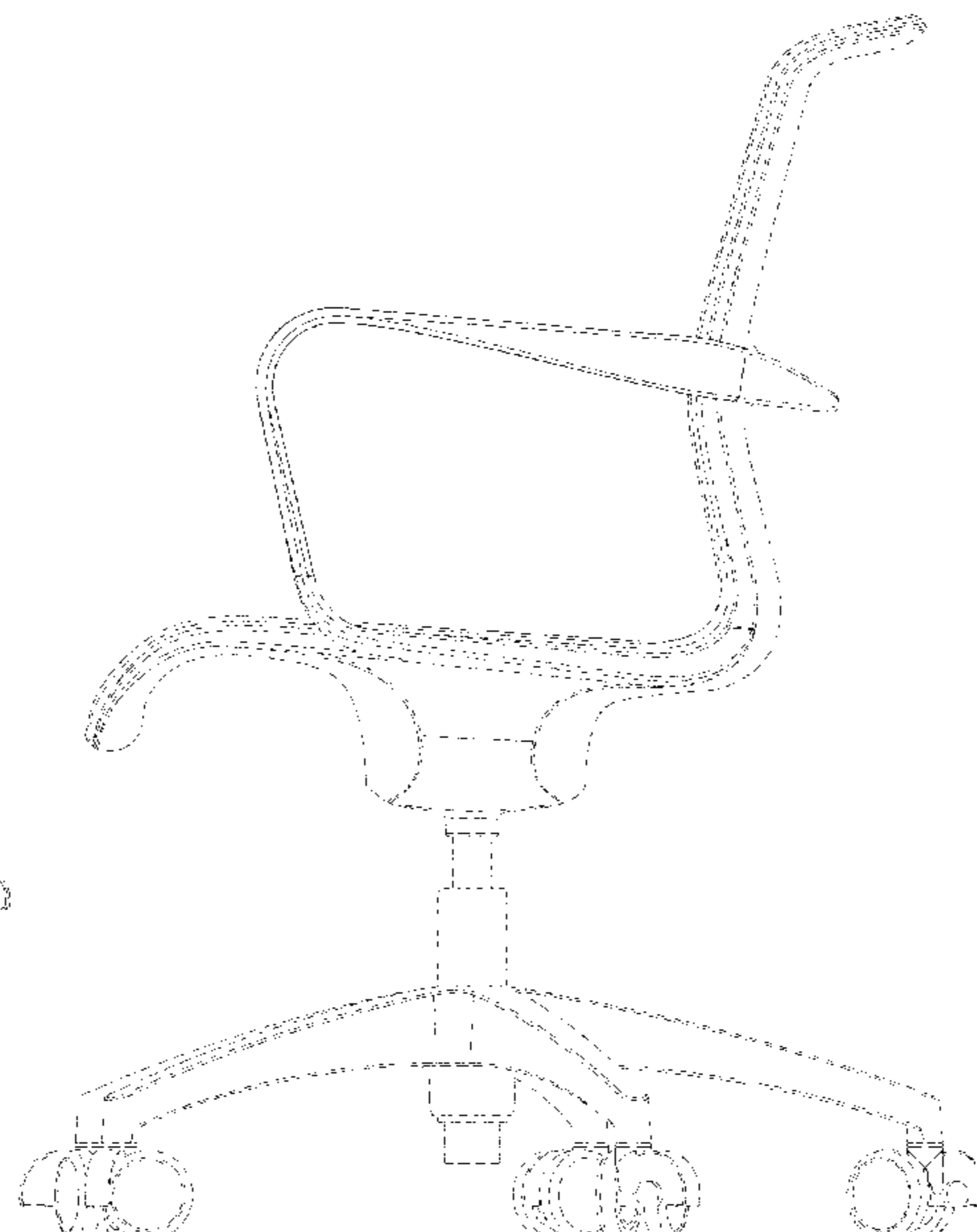
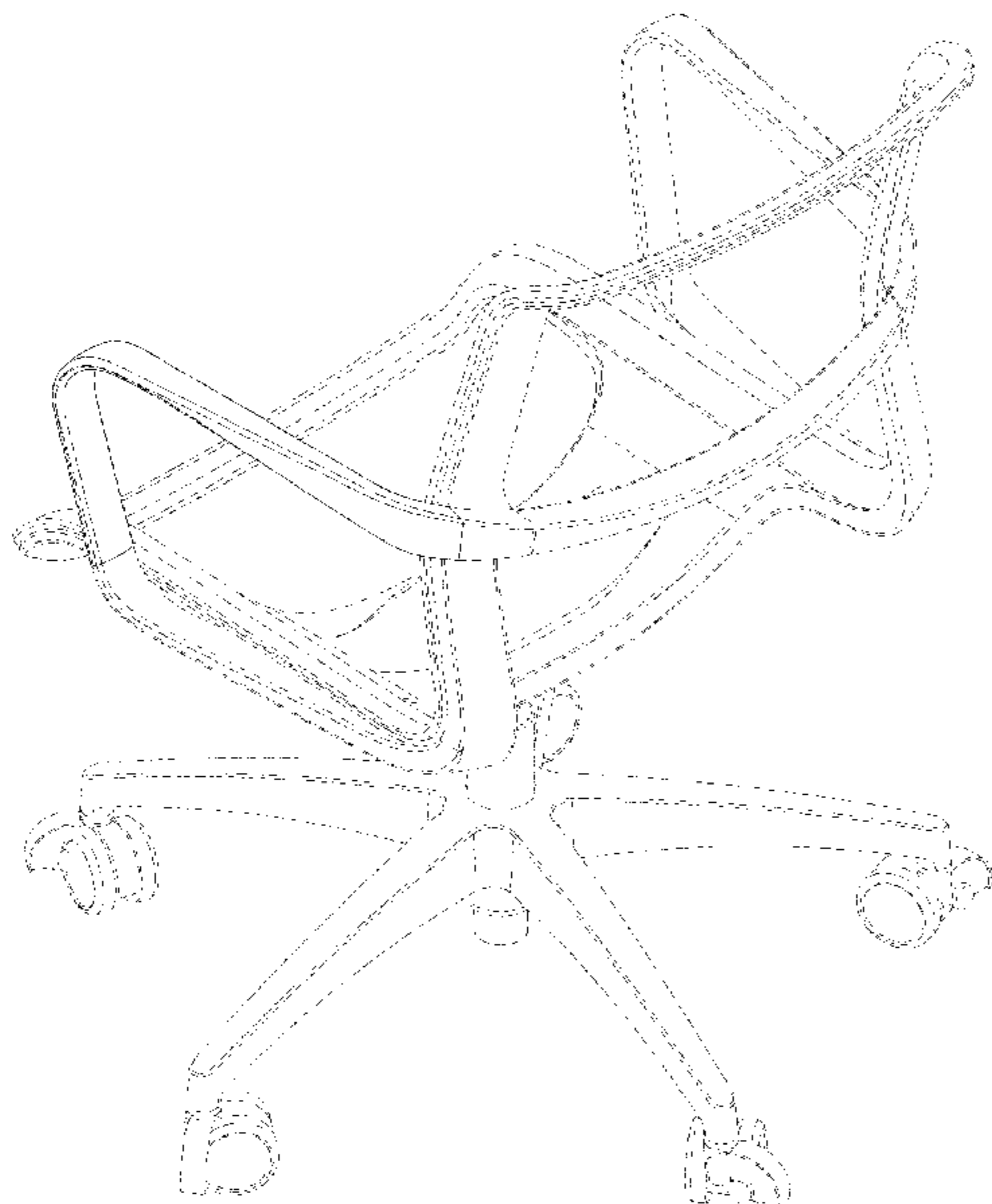
(57) **CLAIM**

The ornamental design for a chair, as shown and described.

**DESCRIPTION**

FIG. 1 is a top, rear, and right side perspective view of a chair;  
FIG. 2 is a bottom, front and left side perspective view thereof;  
FIG. 3 is a front elevational view thereof;  
FIG. 4 is a rear elevational view thereof;  
FIG. 5 is a left side elevational view thereof;  
FIG. 6 is a right side elevational view thereof;  
FIG. 7 is a top plan view thereof; and,  
FIG. 8 is a bottom plan view thereof.  
The broken lines in the drawings depict portions of the chair that form no part of the claimed design.

**1 Claim, 8 Drawing Sheets**



(56)

**References Cited**

U.S. PATENT DOCUMENTS

D708,877 S \* 7/2014 Tsai ..... D6/716  
D708,879 S \* 7/2014 Tsai ..... D6/716  
D708,882 S \* 7/2014 Hsuan-Chin ..... D6/716.4  
D718,949 S \* 12/2014 Meda ..... D6/366  
D782,239 S \* 3/2017 Tsai ..... D6/716.4  
D799,254 S \* 10/2017 Mulder ..... D6/716.4  
10,117,518 B2 \* 11/2018 Huennekens ..... A47C 7/462  
2017/0280876 A1 \* 10/2017 Huennekens ..... A47C 7/462

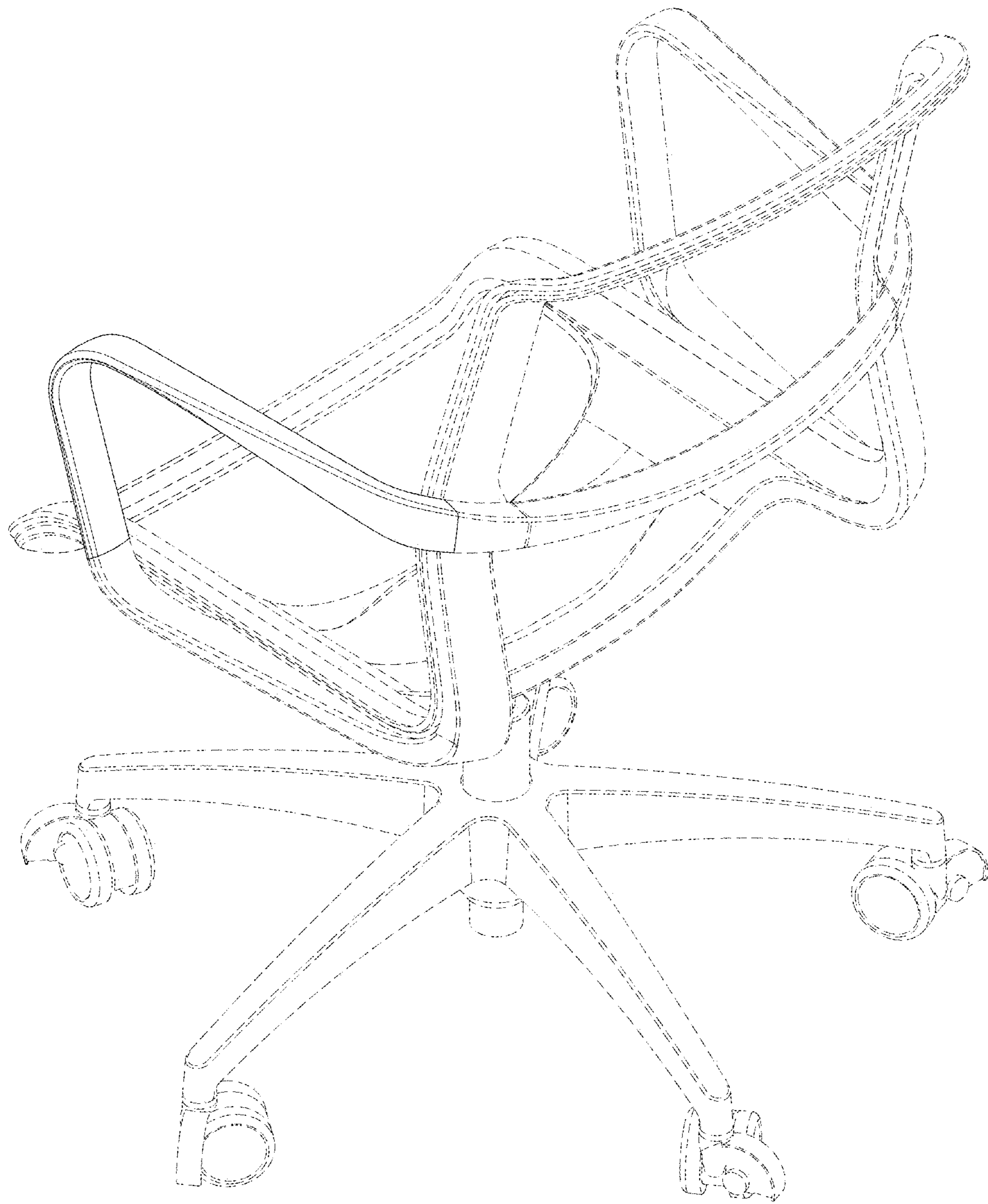
OTHER PUBLICATIONS

UGOBURO Design Office Conference Chair, Global, date unknown, found on Apr. 27, 2020 at <https://www.ugoburo.ca/en/global-meeting-multipurpose-guest-chair-solar.html> (Year: 2020).\*

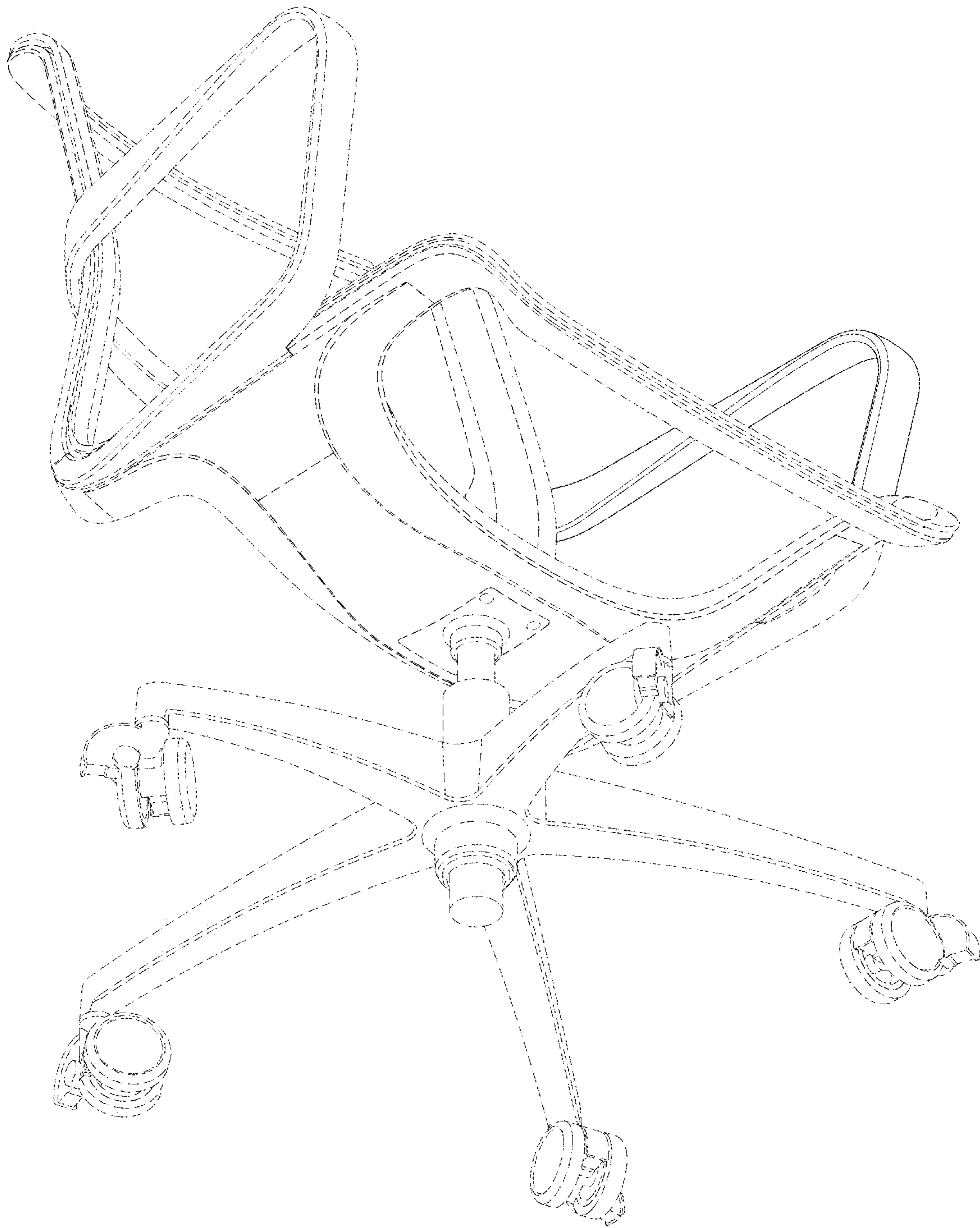
Amazon Perk Mesh Task Chair, Jul. 19, 2017, found on Apr. 27, 2020, at [https://www.amazon.com/dp/B0742BZRMH/ref=sbl\\_dp\\_x\\_B0838CN1BJ\\_0](https://www.amazon.com/dp/B0742BZRMH/ref=sbl_dp_x_B0838CN1BJ_0) (Year: 2017).\*

Vitra Studio task chair TrioKnit 06, date unknown, found on Apr. 27, 2020, at <https://www.finnishdesignshop.com/home-office-office-chairs-physix-studio-task-chair-trioknit-p-25191.html?region=jp> (Year: 2020).\*

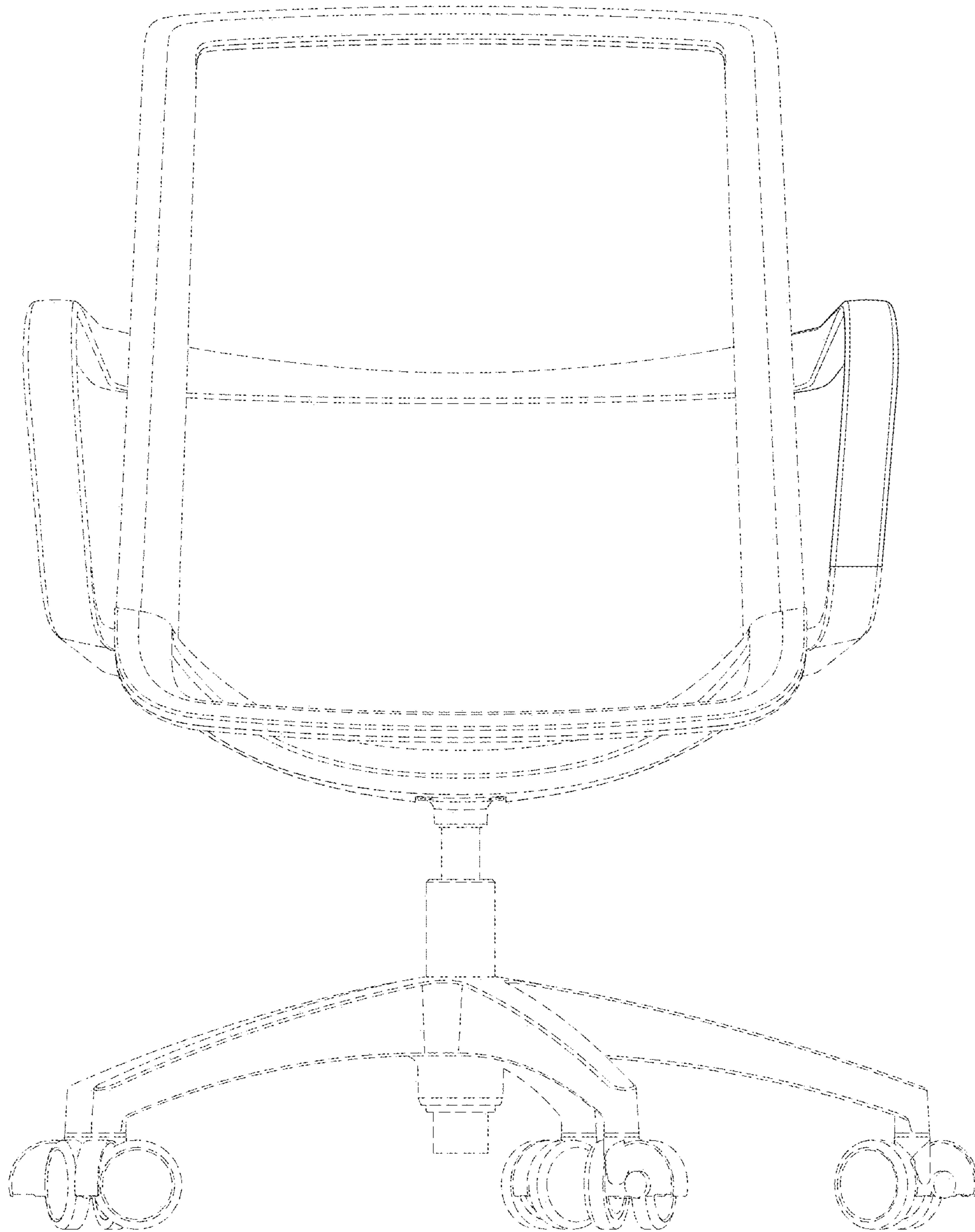
\* cited by examiner



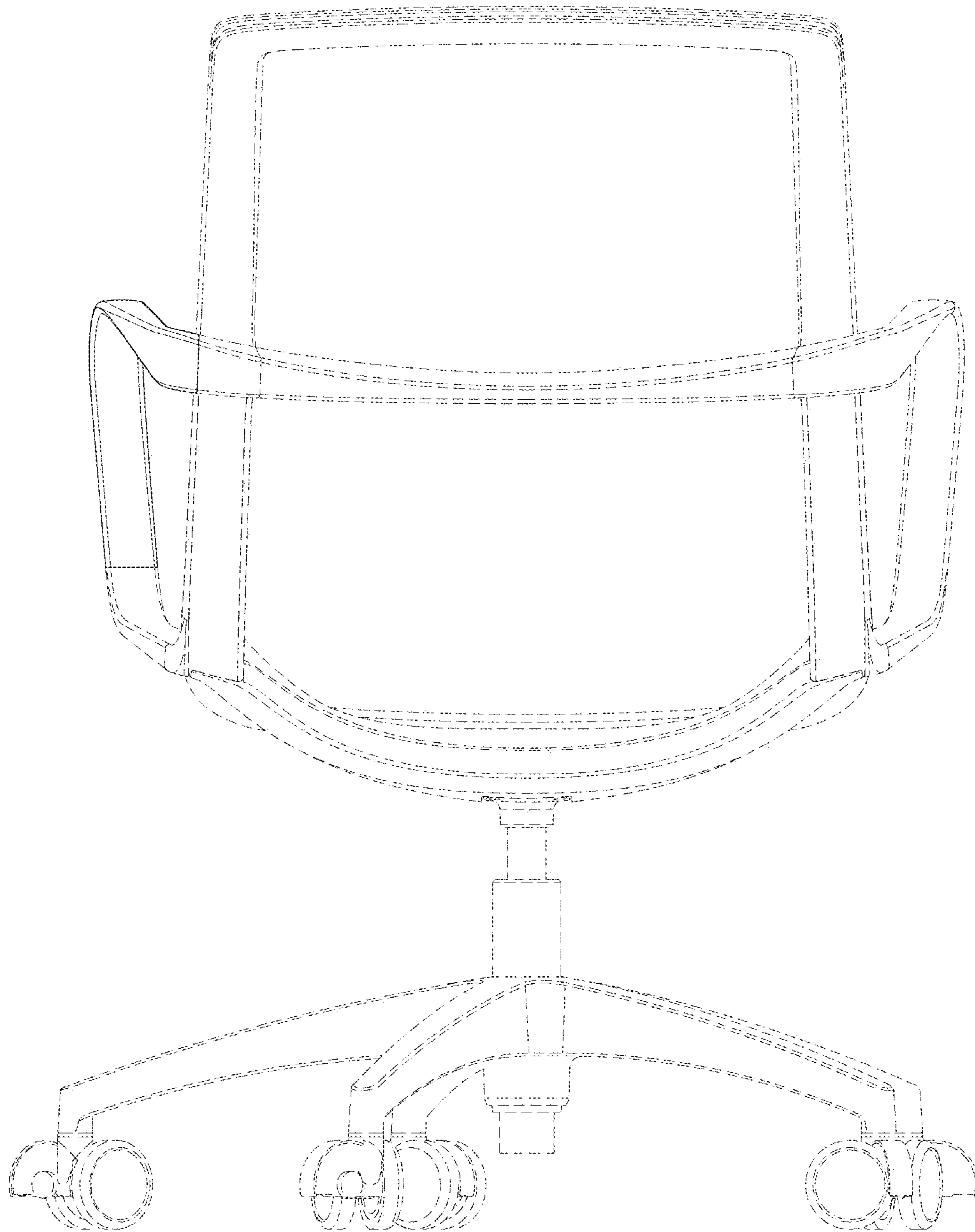
*FIG. 1*



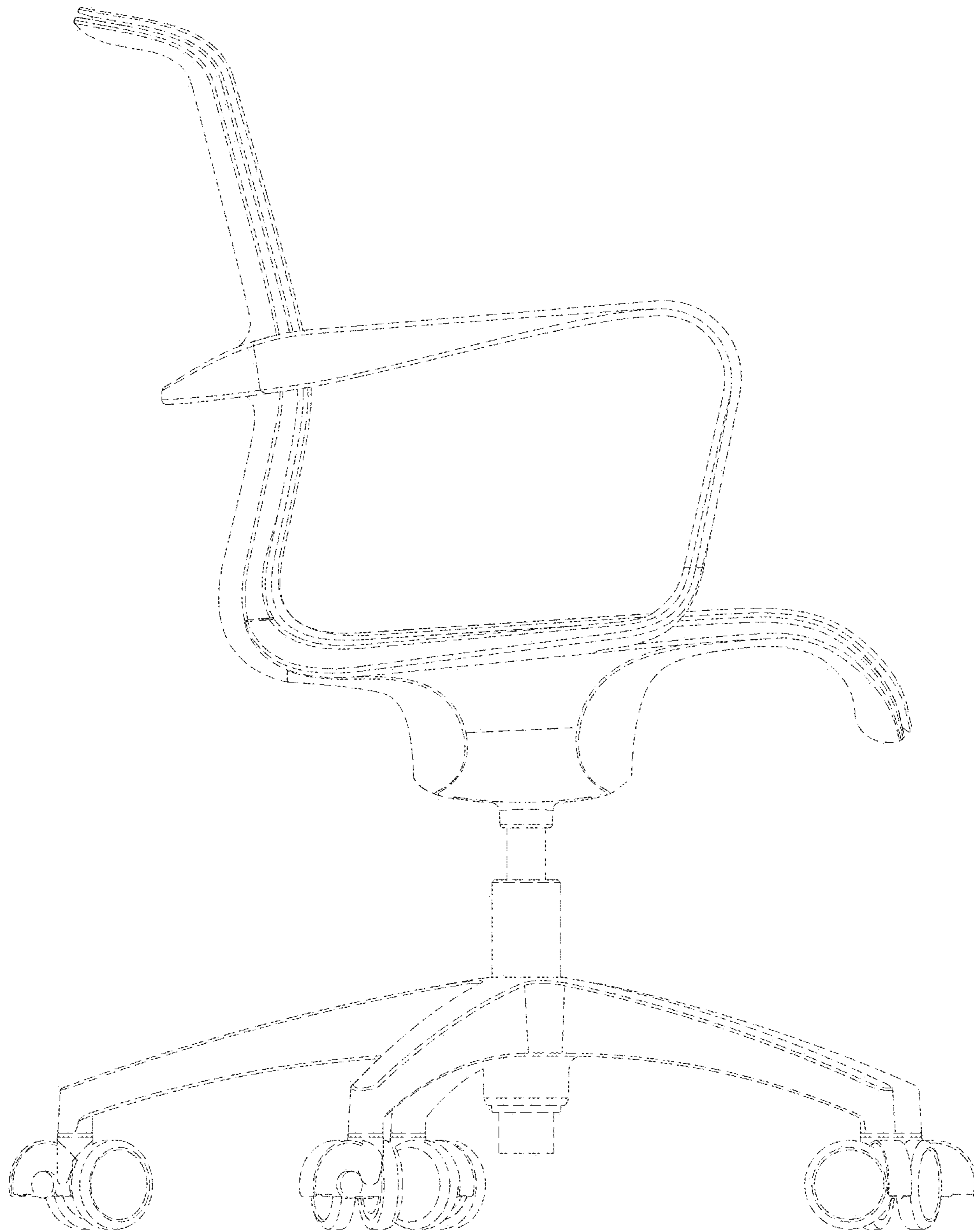
*FIG. 2*



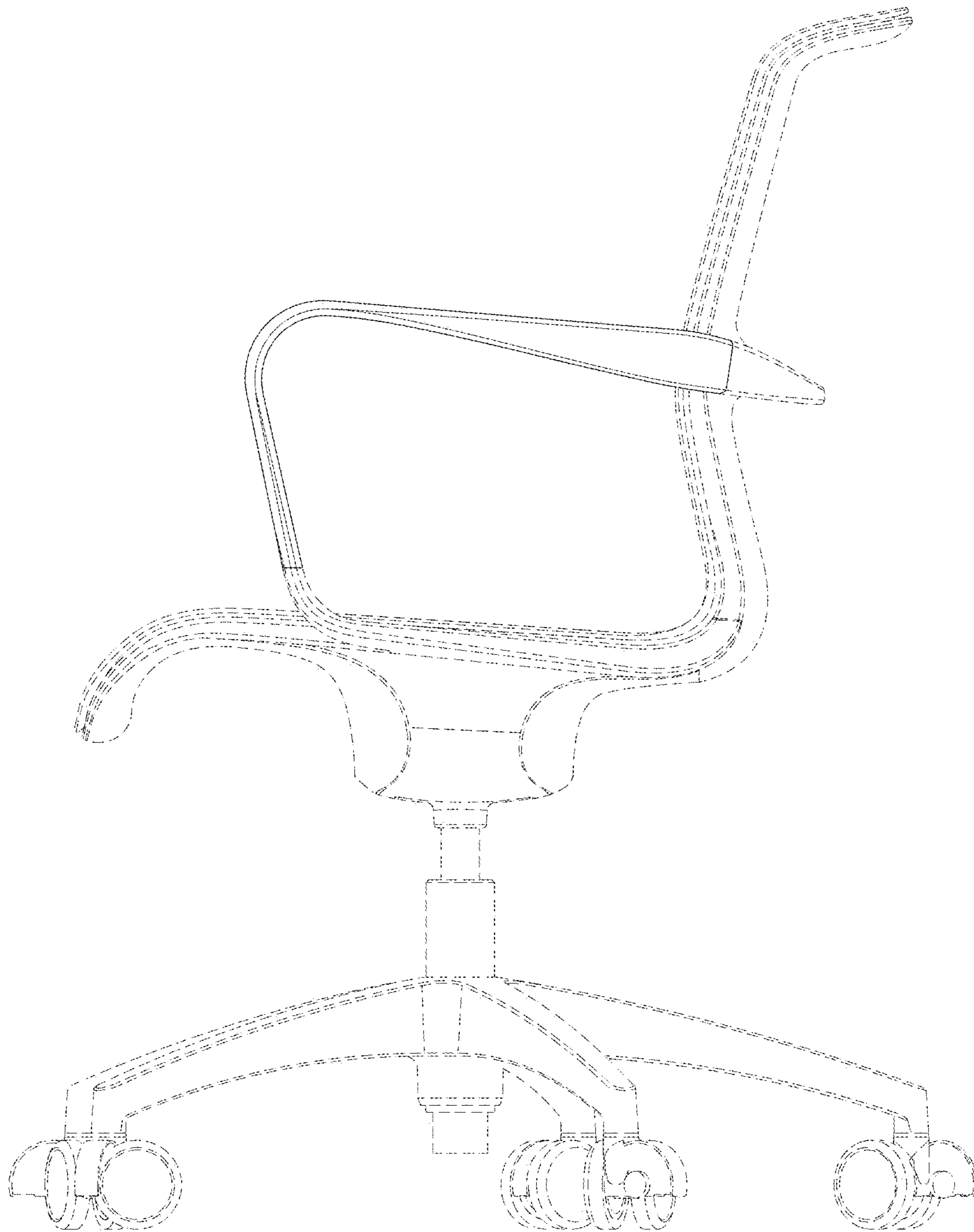
*FIG. 3*



*FIG. 4*

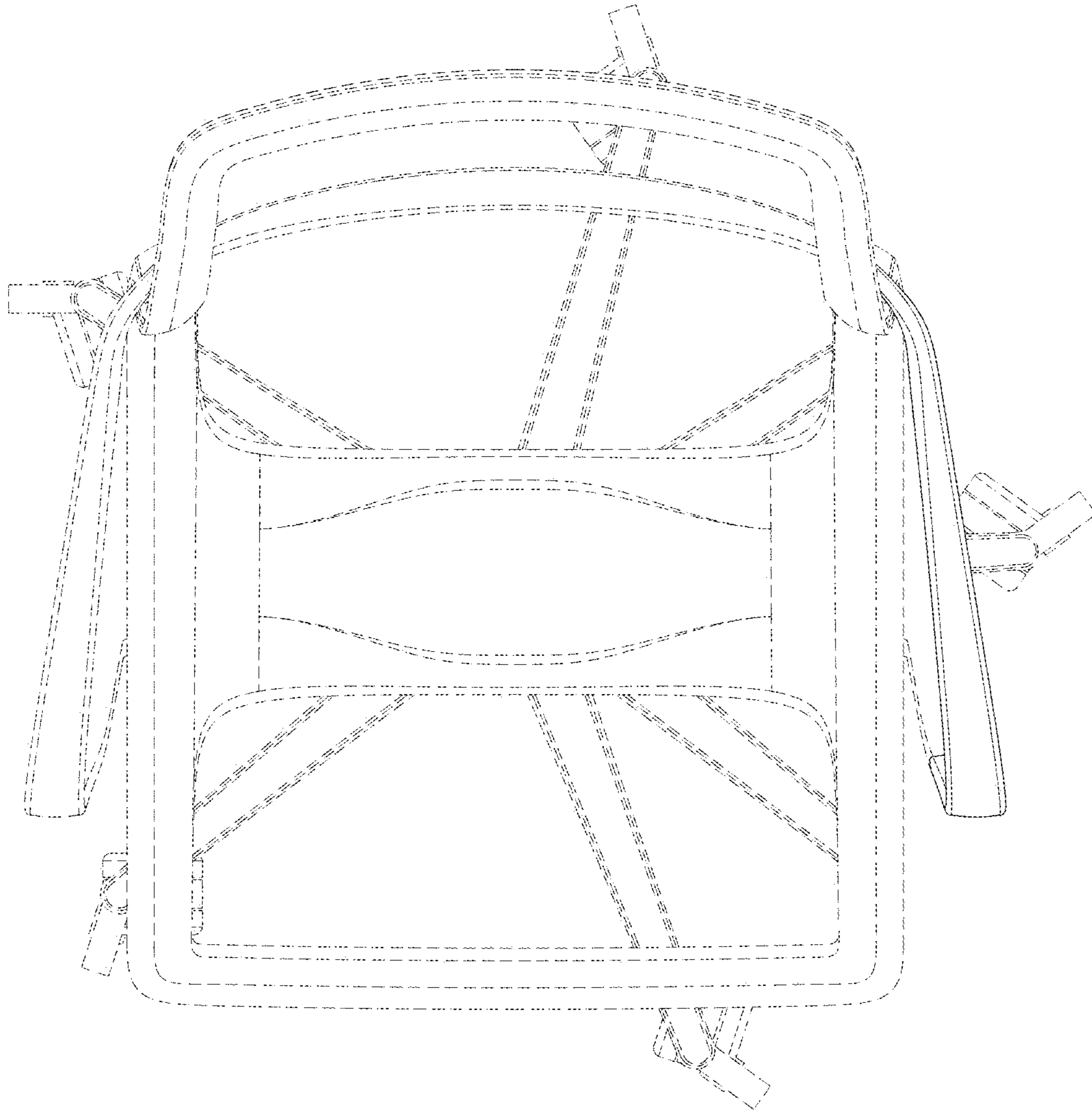


*FIG. 5*

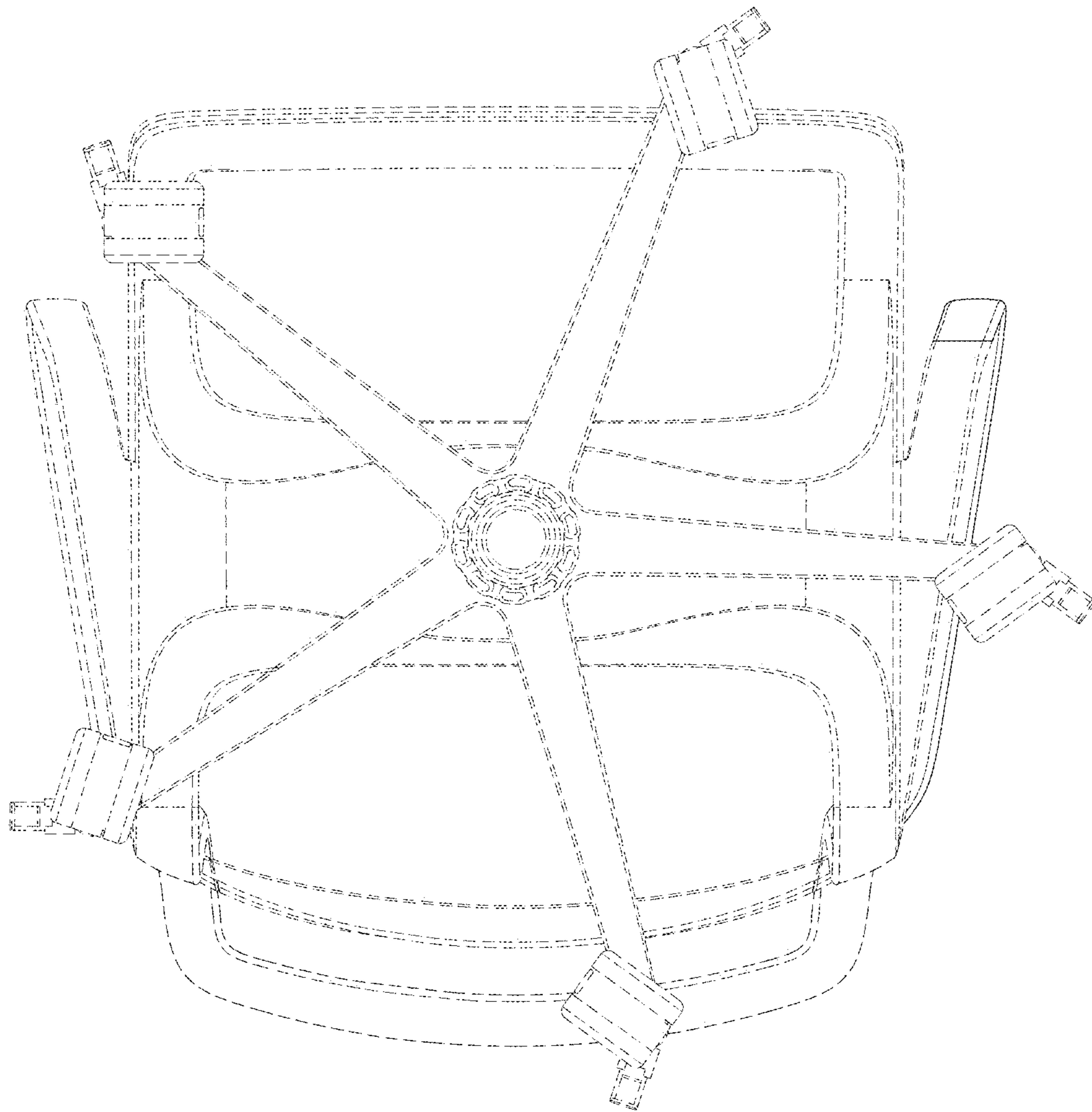


*FIG. 6*





*FIG. 7*



*FIG. 8*