



US00D898494S

(12) **United States Design Patent** (10) **Patent No.:** **US D898,494 S**
King et al. (45) **Date of Patent:** **** Oct. 13, 2020**

(54) **CHAIR**

(71) Applicant: **King Furniture Australia Pty Ltd.,**
Turrella (AU)

(72) Inventors: **David King,** Turrella (AU); **Tanya**
Rechberger, Turrella (AU); **Anastasia**
Panagopoulos, Turrella (AU)

(73) Assignee: **King Furniture Australia Pty Ltd.,**
Turrella (AU)

(**) Term: **15 Years**

(21) Appl. No.: **29/648,215**

(22) Filed: **May 18, 2018**

(30) **Foreign Application Priority Data**

Nov. 21, 2017 (AU) 201717079
Nov. 21, 2017 (AU) 201717080

(51) **LOC (12) Cl.** **06-01**

(52) **U.S. Cl.**
USPC **D6/716; D6/364; D6/365**

(58) **Field of Classification Search**
USPC D6/334-336, 364, 365, 366, 367, 374,
D6/379, 716, 716.1, 716.2, 716.3, 716.4
CPC A47C 1/02; A47C 3/12; A47C 3/16; A47C
4/028; A47C 7/002; A47C 7/004; A47C
7/18; A47C 7/24; A47C 7/54
See application file for complete search history.

(56) **References Cited**

U.S. PATENT DOCUMENTS

D227,203 S * 6/1973 Winrow D6/364
D250,302 S * 11/1978 Harvey, Jr. D6/364
D258,101 S * 2/1981 Caldwell D6/364
D508,786 S * 8/2005 Natuzzi D6/364

D508,790 S * 8/2005 Natuzzi D6/364
D560,379 S * 1/2008 Fancelli D6/364
D600,031 S * 9/2009 Natuzzi D6/365
D600,032 S * 9/2009 Natuzzi D6/365
D614,881 S * 5/2010 D'Urso D6/364
D628,824 S * 12/2010 Vignelli D6/364
D680,343 S * 4/2013 Tan D6/365
D689,290 S * 9/2013 Chen D6/334
D724,854 S * 3/2015 Lee D6/334

OTHER PUBLICATIONS

Co-pending U.S. Appl. No. 15/513,186, filed Mar. 22, 2017.

* cited by examiner

Primary Examiner — Mimosa De

(74) *Attorney, Agent, or Firm* — Banner & Witcoff, Ltd.

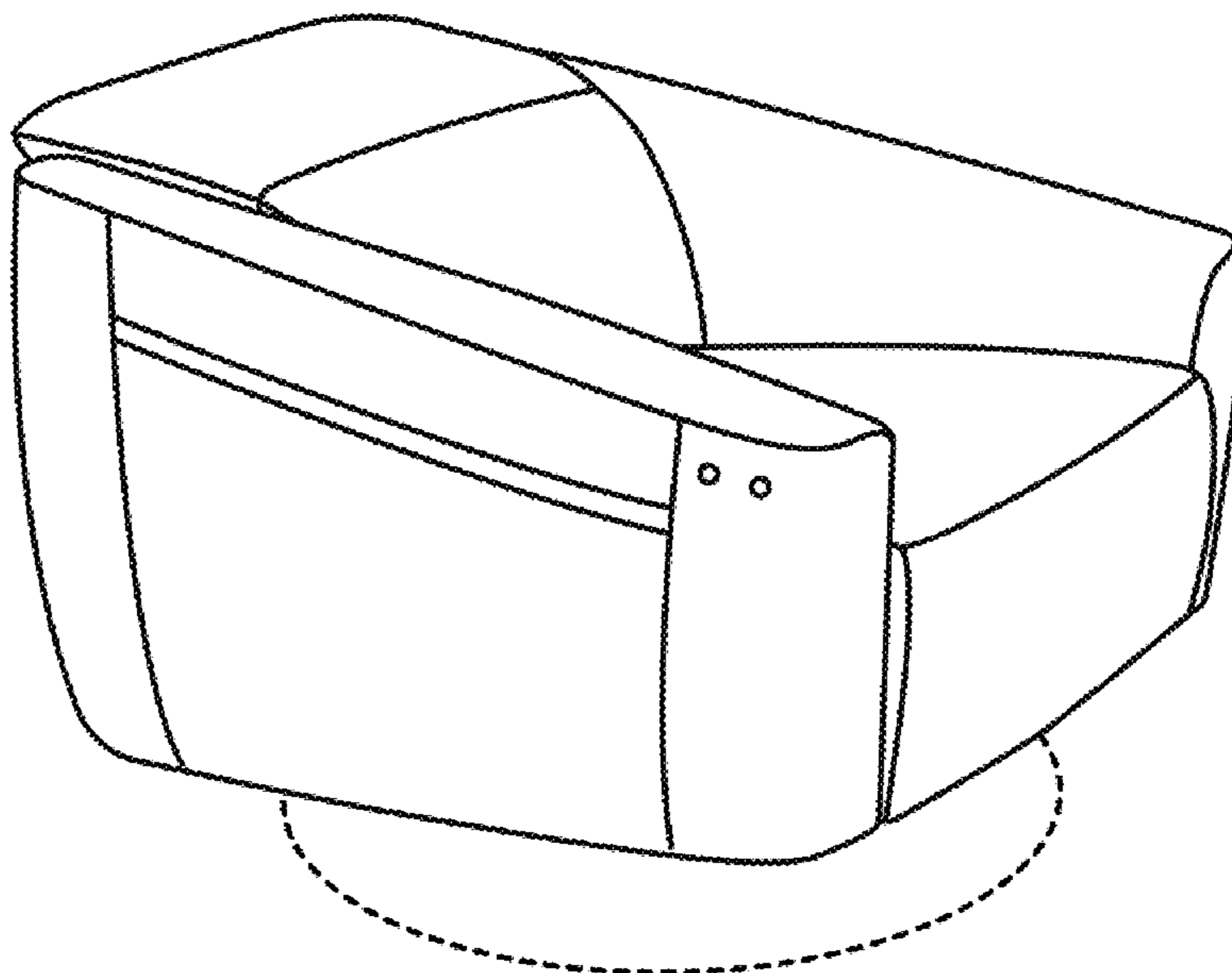
(57) **CLAIM**

The ornamental design for a chair, as shown and described.

DESCRIPTION

FIG. 1 is a perspective view of a chair showing our new design;
FIG. 2 is a top view thereof;
FIG. 3 is a left side view thereof; the right side being a mirror image thereof;
FIG. 4 is a rear view thereof;
FIG. 5 is a front view thereof;
FIG. 6 is a perspective view of an alternate embodiment of a chair showing our new design;
FIG. 7 is a top view thereof;
FIG. 8 is a left side view thereof; the right side being a mirror image thereof;
FIG. 9 is a rear view thereof; and,
FIG. 10 is a front view thereof.
The broken lines depicting the remainder of the chair show features that form no part of the claimed design.

1 Claim, 2 Drawing Sheets



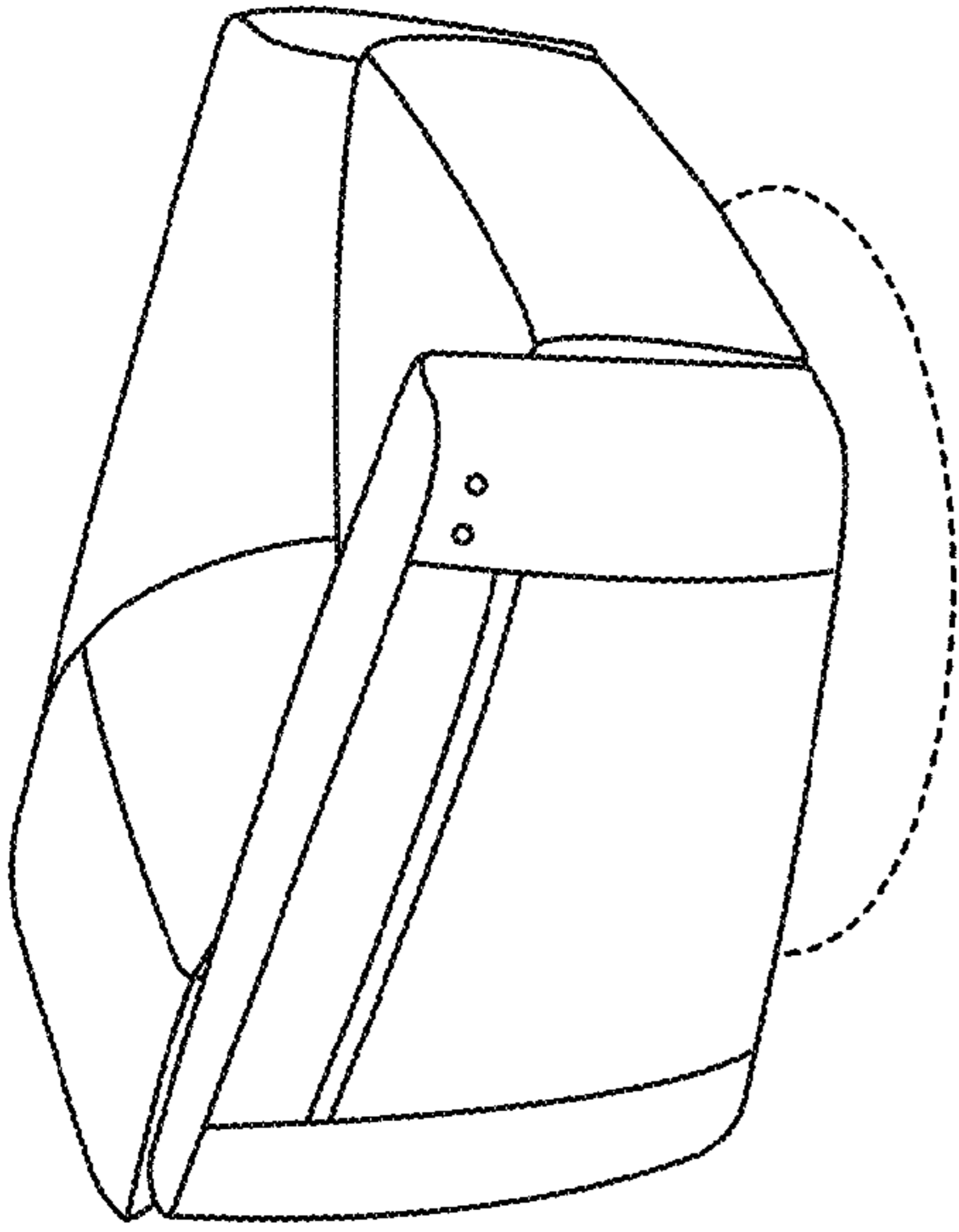


FIG. 1

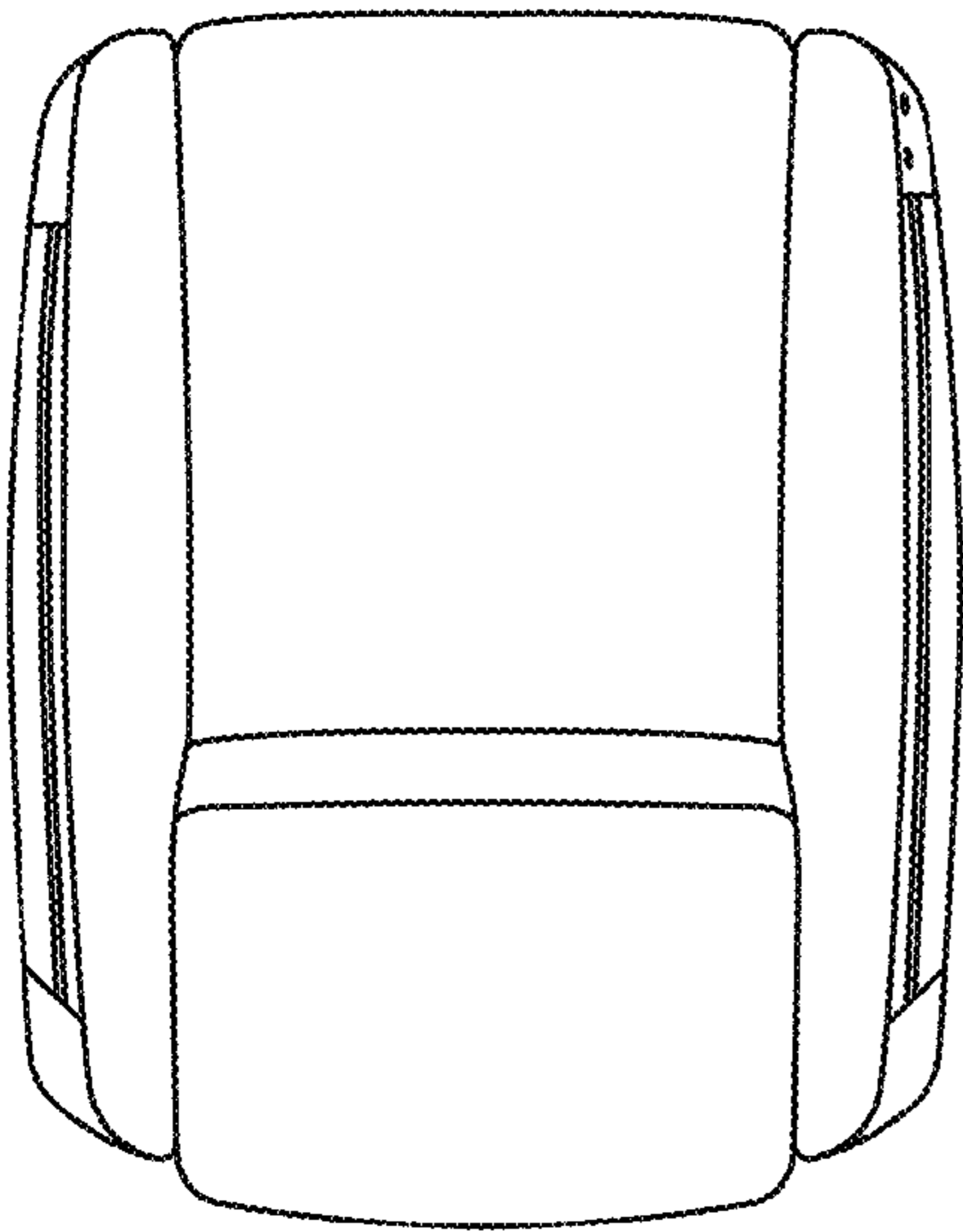


FIG. 2

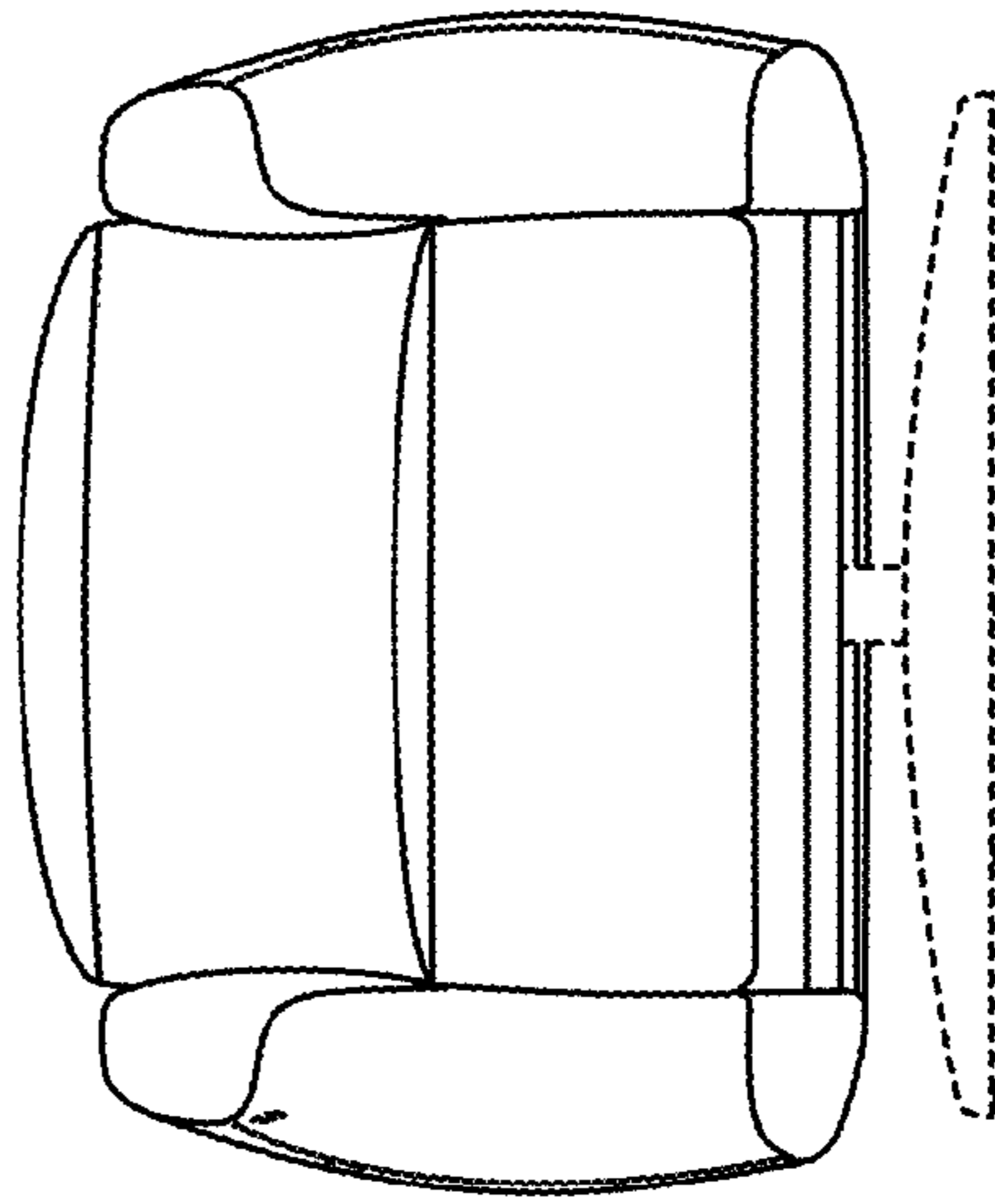


FIG. 3

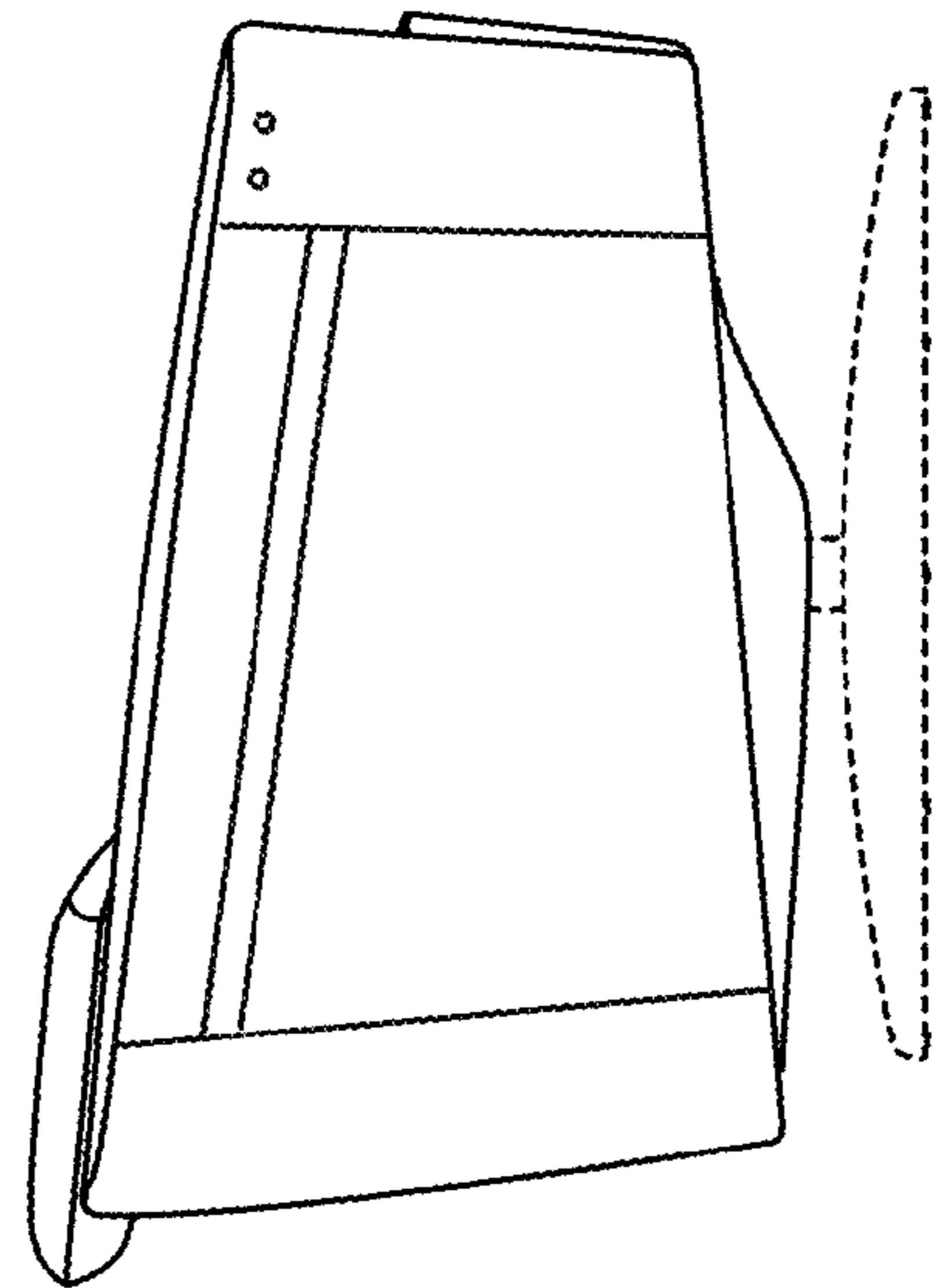


FIG. 4

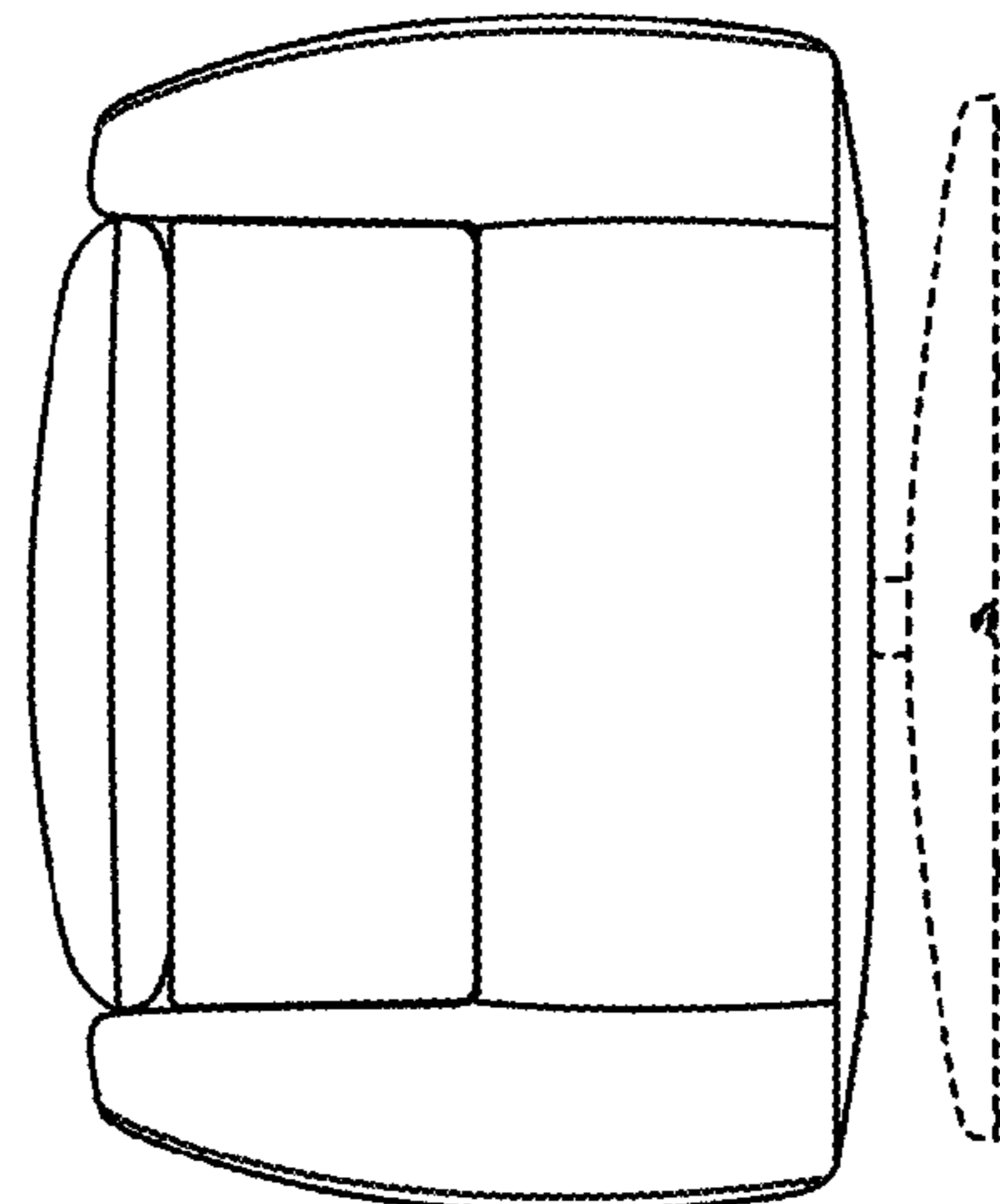


FIG. 5

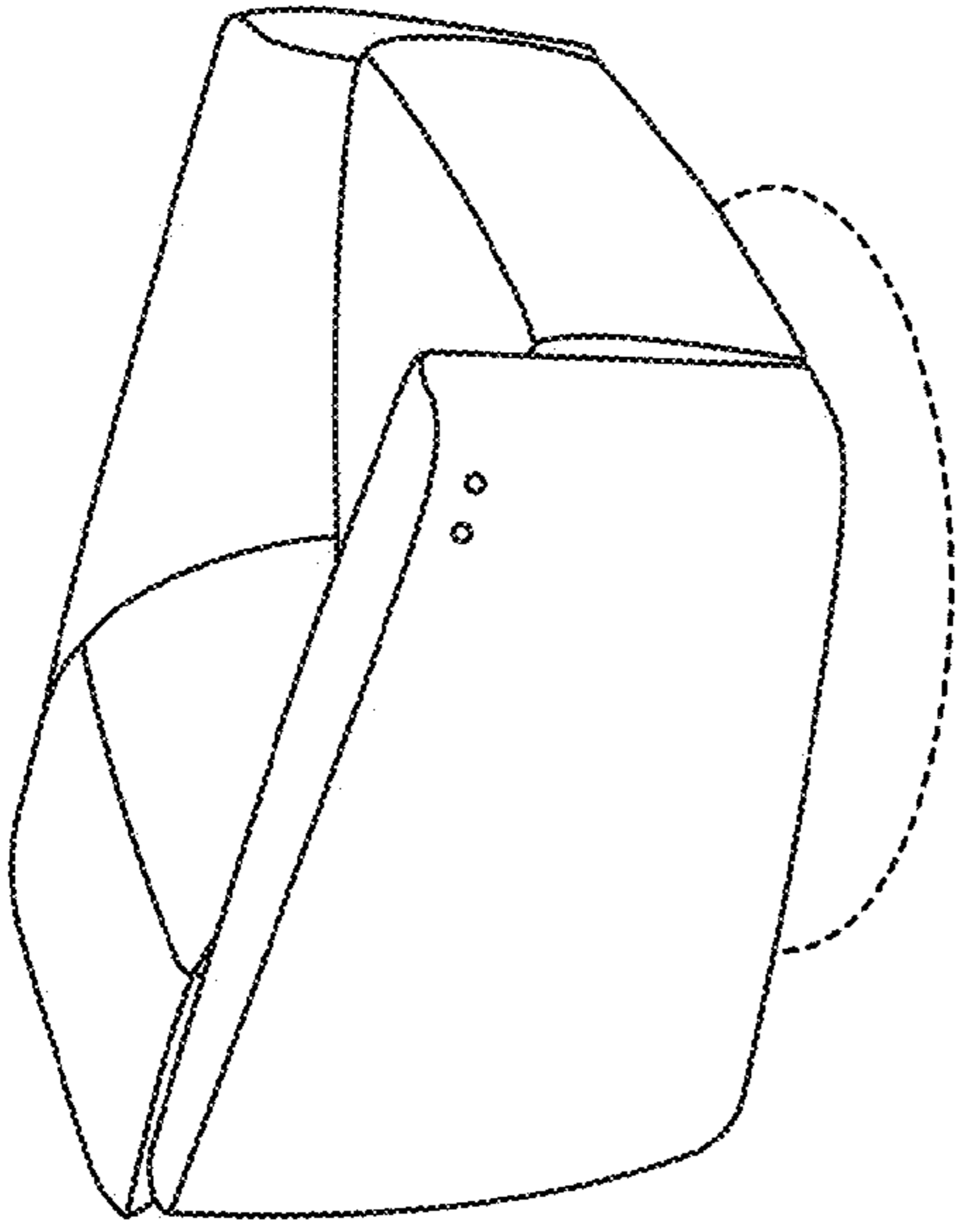


FIG. 6

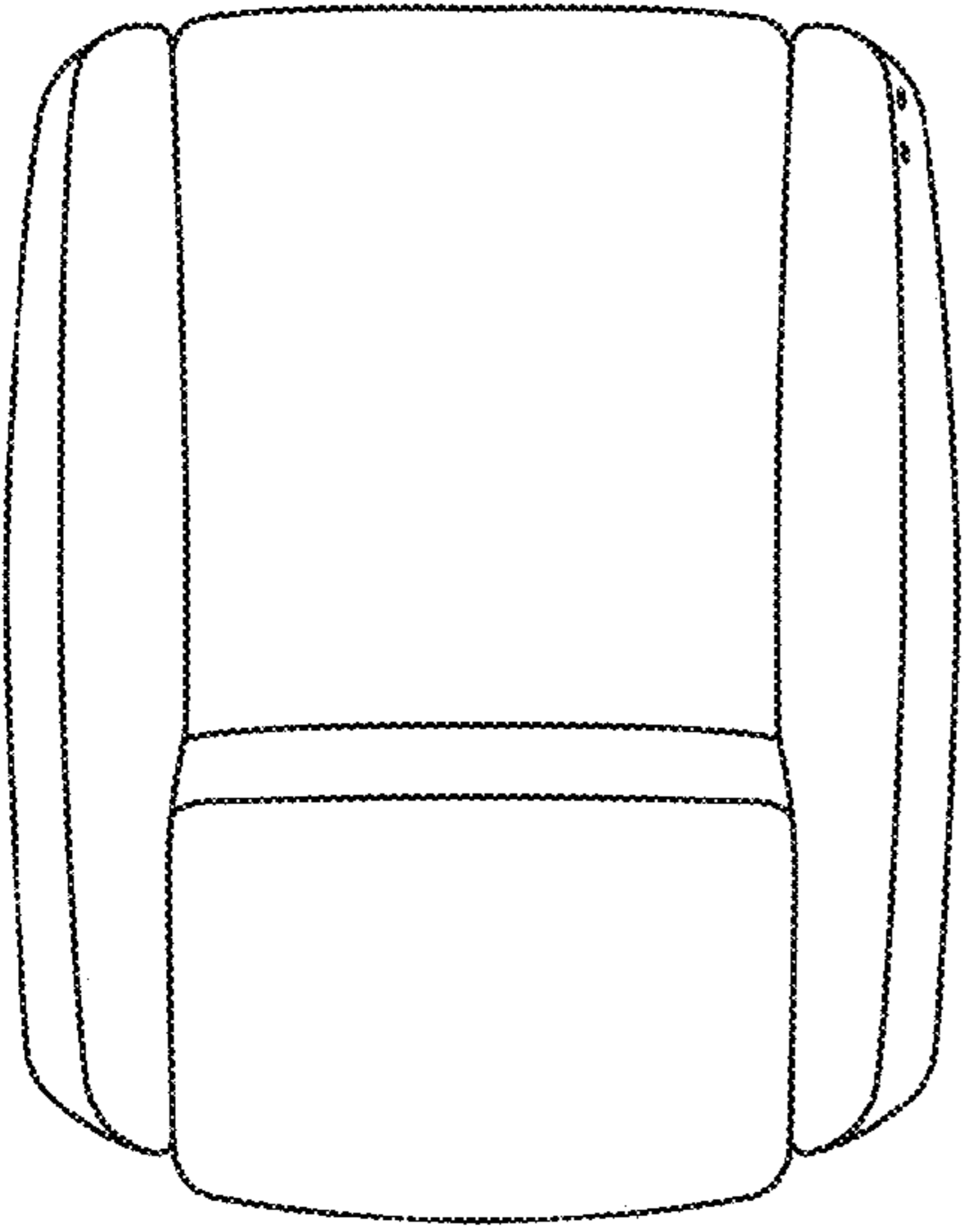


FIG. 7

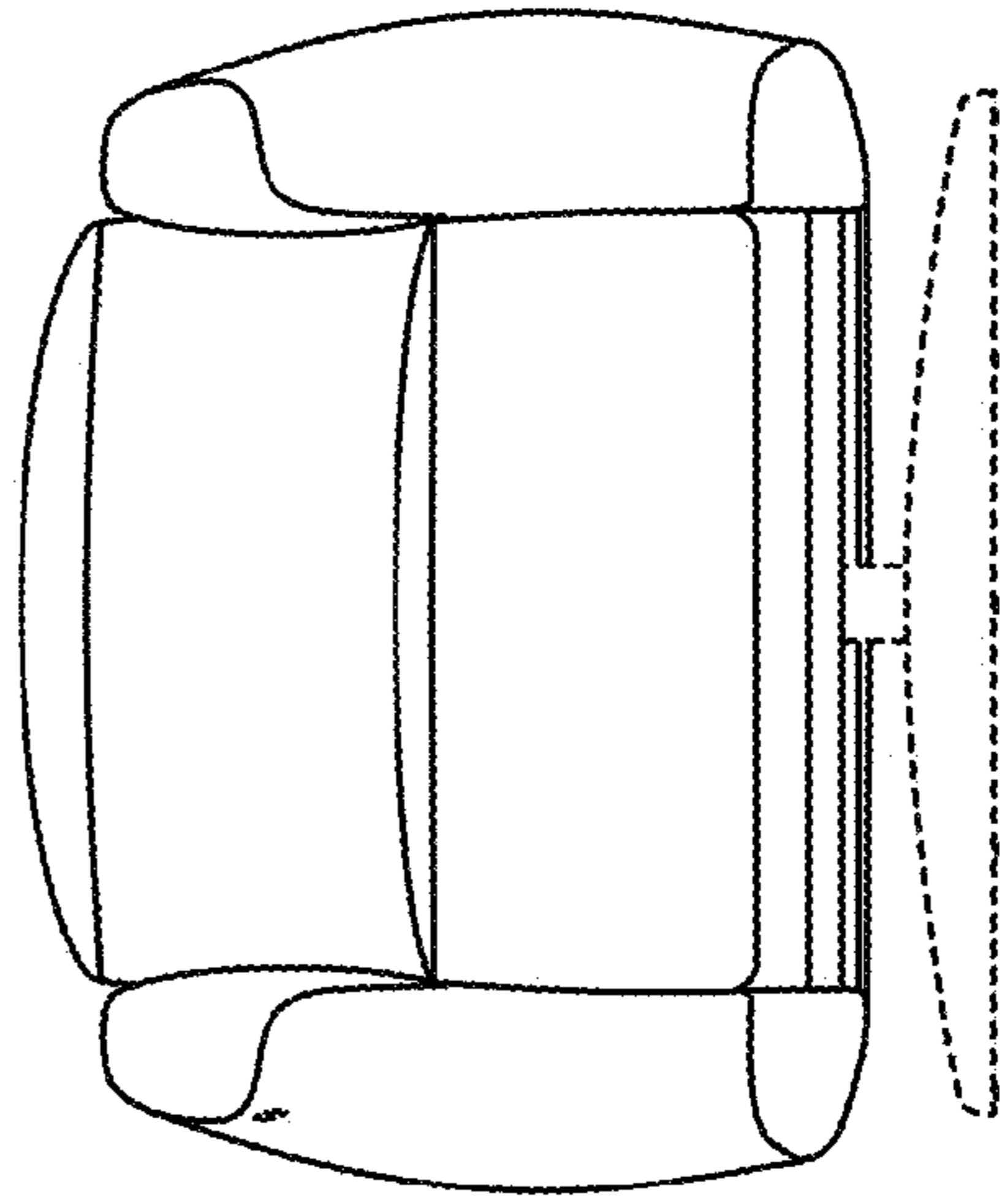


FIG. 8

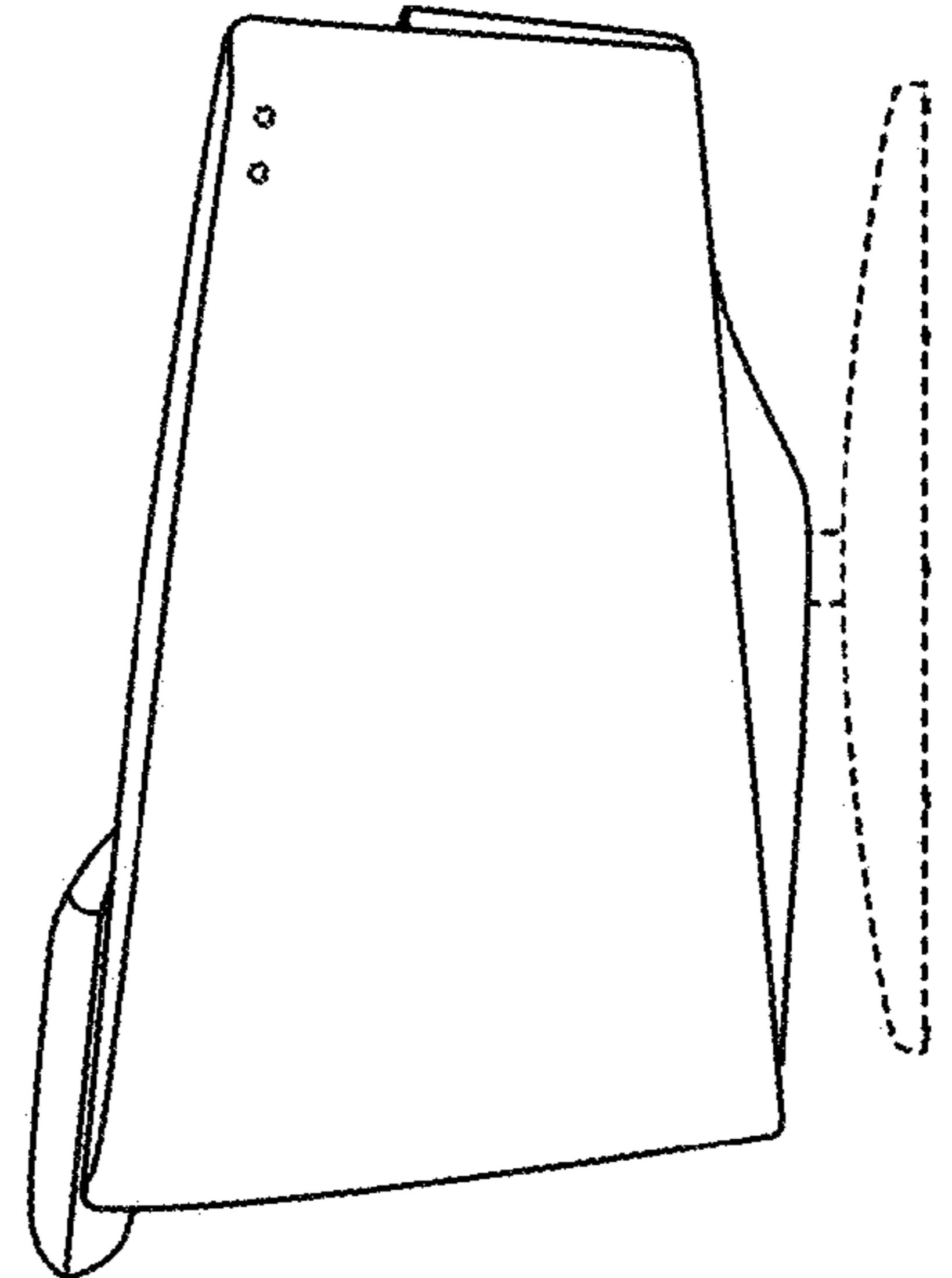


FIG. 9

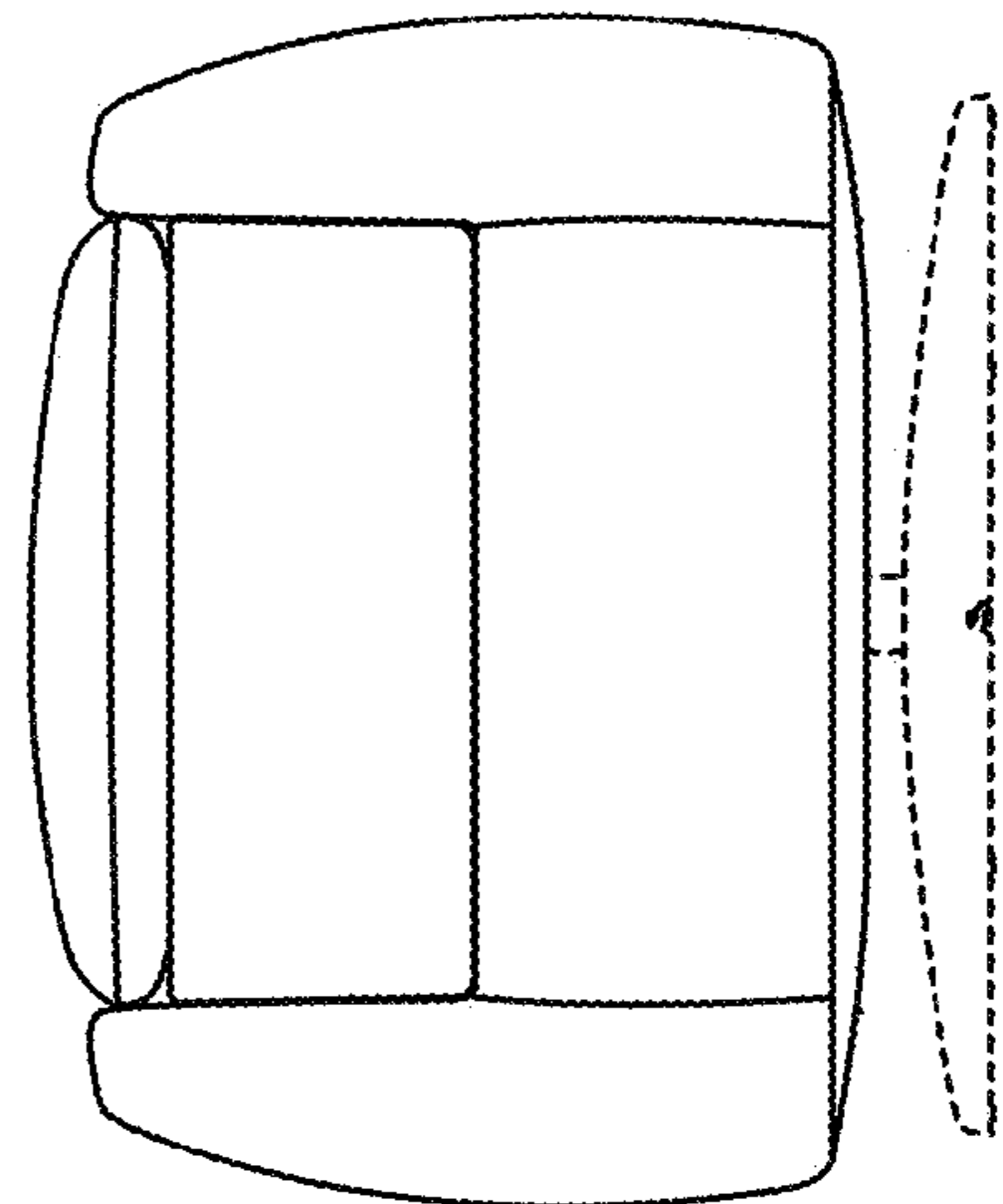


FIG. 10