

US00D898493S

(12) **United States Design Patent** (10) **Patent No.:** **US D898,493 S**
Lentz (45) **Date of Patent:** **** Oct. 13, 2020**

(54) **FISHING CHAIR**
(71) Applicant: **Andrew Lentz**, Wichita, KS (US)
(72) Inventor: **Andrew Lentz**, Wichita, KS (US)
(73) Assignees: **Andrew Lentz**, Wichita, KS (US);
Andrea Hankins, Wichita, KS (US)
(**) Term: **15 Years**
(21) Appl. No.: **29/672,688**
(22) Filed: **Dec. 7, 2018**

2,978,012 A 4/1961 Norseen
3,114,572 A * 12/1963 Hopkins A47C 4/20
297/33
4,613,185 A 9/1986 Marchesini
D289,238 S * 4/1987 Arthur, Jr. D6/370
D291,391 S * 8/1987 Arthur, Jr. D6/370
4,772,068 A 9/1988 Gleckler
D316,338 S * 4/1991 Frinier D6/369
5,142,734 A 9/1992 Looman
D345,262 S * 3/1994 Caldwell D6/376
5,335,377 A 8/1994 Masysada
5,364,163 A 11/1994 Hardison
5,449,220 A 9/1995 Taylor
5,494,333 A 2/1996 Wilson
5,536,068 A 7/1996 Valentor
6,036,148 A 3/2000 Shank
6,056,353 A 5/2000 Meara
6,095,607 A 8/2000 Wenzel

(Continued)

Related U.S. Application Data

(63) Continuation-in-part of application No. 15/826,096,
filed on Nov. 29, 2017, now abandoned.

(51) **LOC (12) Cl.** **06-01**

(52) **U.S. Cl.**
USPC **D6/709.2**; D6/368; D6/369

(58) **Field of Classification Search**
USPC D6/334-336, 367, 368, 369, 370, 374,
D6/375, 376, 379, 380, 716, 716.1, 716.2,
D6/716.3, 716.4, 709.2
CPC A47C 4/02; A47C 4/20; A47C 4/22; A47C
4/24; A47C 4/283; A47C 4/46; A47C
4/48; A47C 5/02; A47C 7/008; A47C
7/282; A47C 7/285; A47C 7/32; A47C
7/54; A47C 7/541; A47C 23/18

See application file for complete search history.

(56) **References Cited**

U.S. PATENT DOCUMENTS

930,607 A 8/1909 Morill
1,922,418 A 8/1933 Conant
2,076,510 A * 4/1937 Ficks A47C 5/02
297/452.64
2,737,232 A * 3/1956 Gruber A47C 23/18
297/39

OTHER PUBLICATIONS

U.S. Appl. No. 62/429,609, filed Dec. 2, 2016, Lentz.
U.S. Appl. No. 15/826,096, filed Nov. 29, 2017, Lentz.

Primary Examiner — Mimosa De
(74) *Attorney, Agent, or Firm* — Kenneth H. Jack; Davis
& Jack, L.L.C.

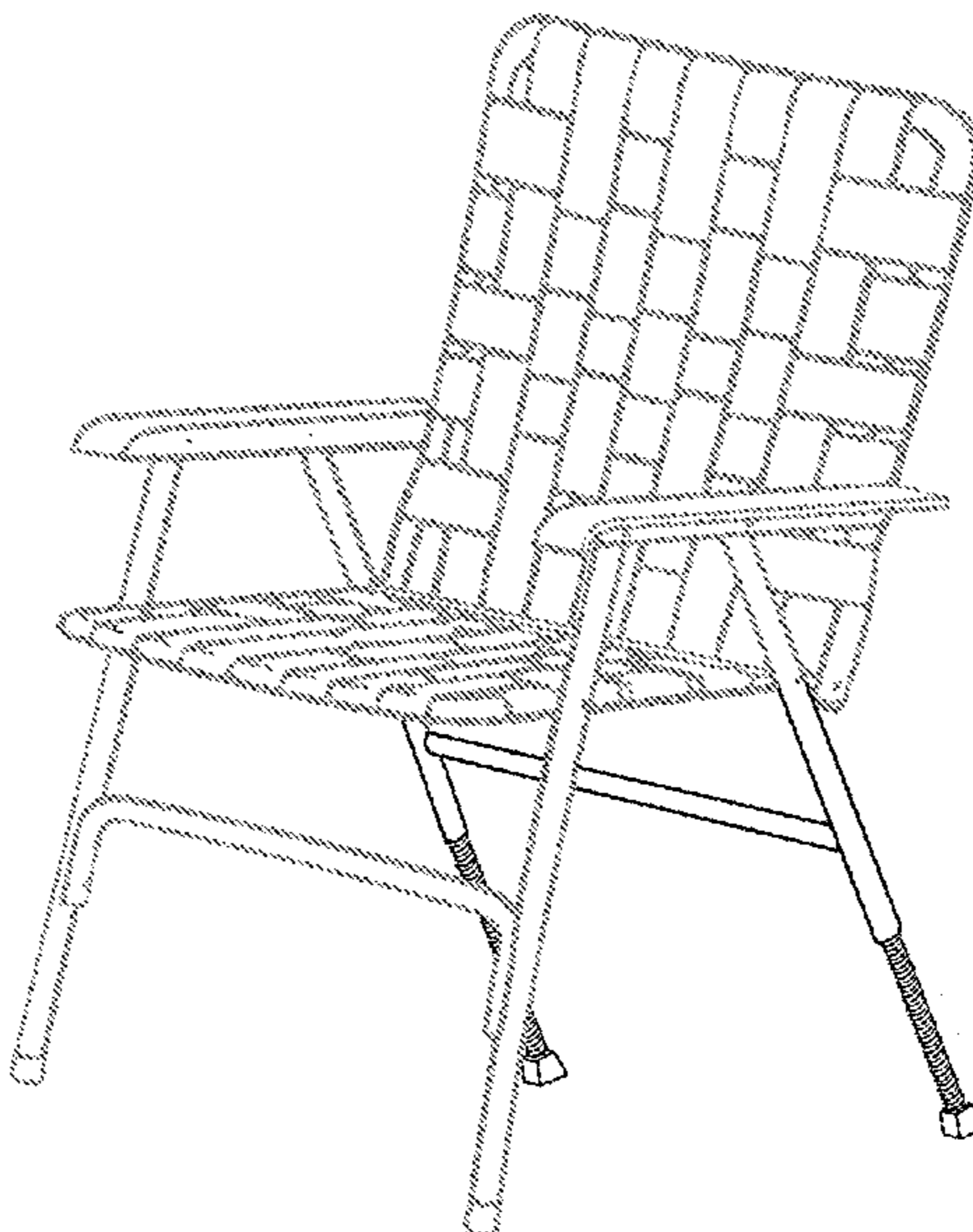
(57) **CLAIM**

An ornamental design for a fishing chair, as shown.

DESCRIPTION

FIG. 1 is a perspective view of the fishing chair.
FIG. 2 is an alternative perspective view of the chair of FIG.
1.
FIG. 3 is a left side view of the chair of FIG. 1; and,
FIG. 4 is a right side view of the chair of FIG. 1.
The broken lines shown in the drawing are for the purpose
of illustrating environmental structure and form no part of
the claimed design.

1 Claim, 4 Drawing Sheets



(56)

References Cited

U.S. PATENT DOCUMENTS

D454,707	S *	3/2002	Tseng	D6/369
6,354,231	B1	3/2002	Morris	
6,871,911	B2	3/2005	Alexander	
6,905,172	B1	6/2005	Barnett	
6,957,865	B1	10/2005	Adams	
D521,262	S *	5/2006	Wood	D6/368
7,147,277	B1	12/2006	Miller	
7,178,863	B1 *	2/2007	Norval	A47C 4/20 297/29
7,334,837	B1	2/2008	Long	
7,774,950	B2	8/2010	Lasley	
8,061,766	B2	11/2011	Miller	
D650,191	S *	12/2011	Putman	D6/369
D650,192	S *	12/2011	Putman	D6/369
8,459,741	B2	6/2013	Mazzola	
8,465,090	B1	6/2013	O'Connor	
8,517,462	B2	8/2013	Birch	
8,960,784	B1	2/2015	DeBerry	
9,095,216	B2	8/2015	Miller	
D742,130	S *	11/2015	Taunton	D6/369
9,301,616	B2	4/2016	Miller	
9,314,100	B1	4/2016	Logan	
9,532,653	B2	1/2017	Green	
D779,847	S *	2/2017	Diez	D6/369
D782,216	S *	3/2017	Panichella	D6/369
D824,688	S *	8/2018	Camoos e Vasconcelos	D6/369
2018/0078042	A1	3/2018	Lentz	

* cited by examiner

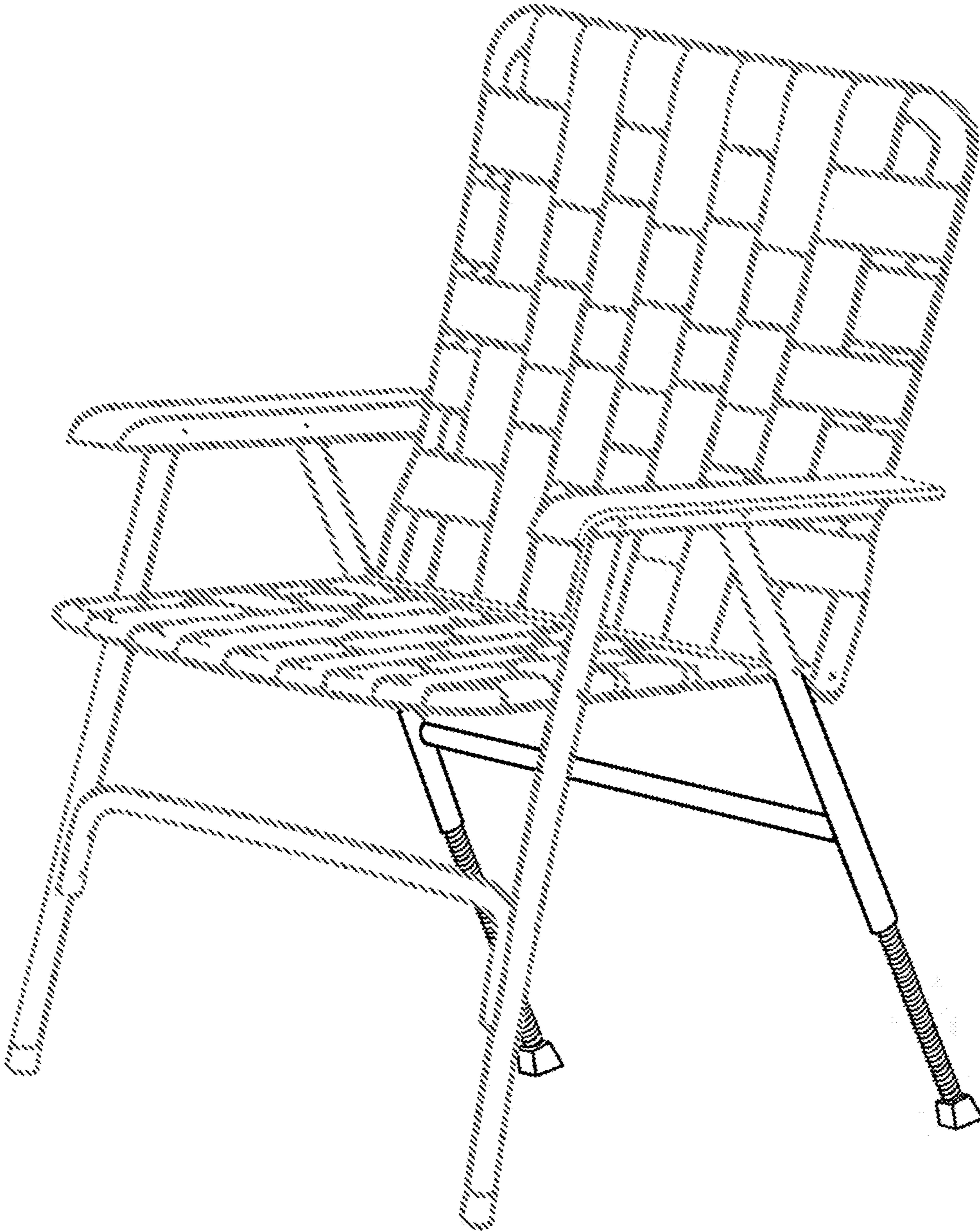


Figure 1

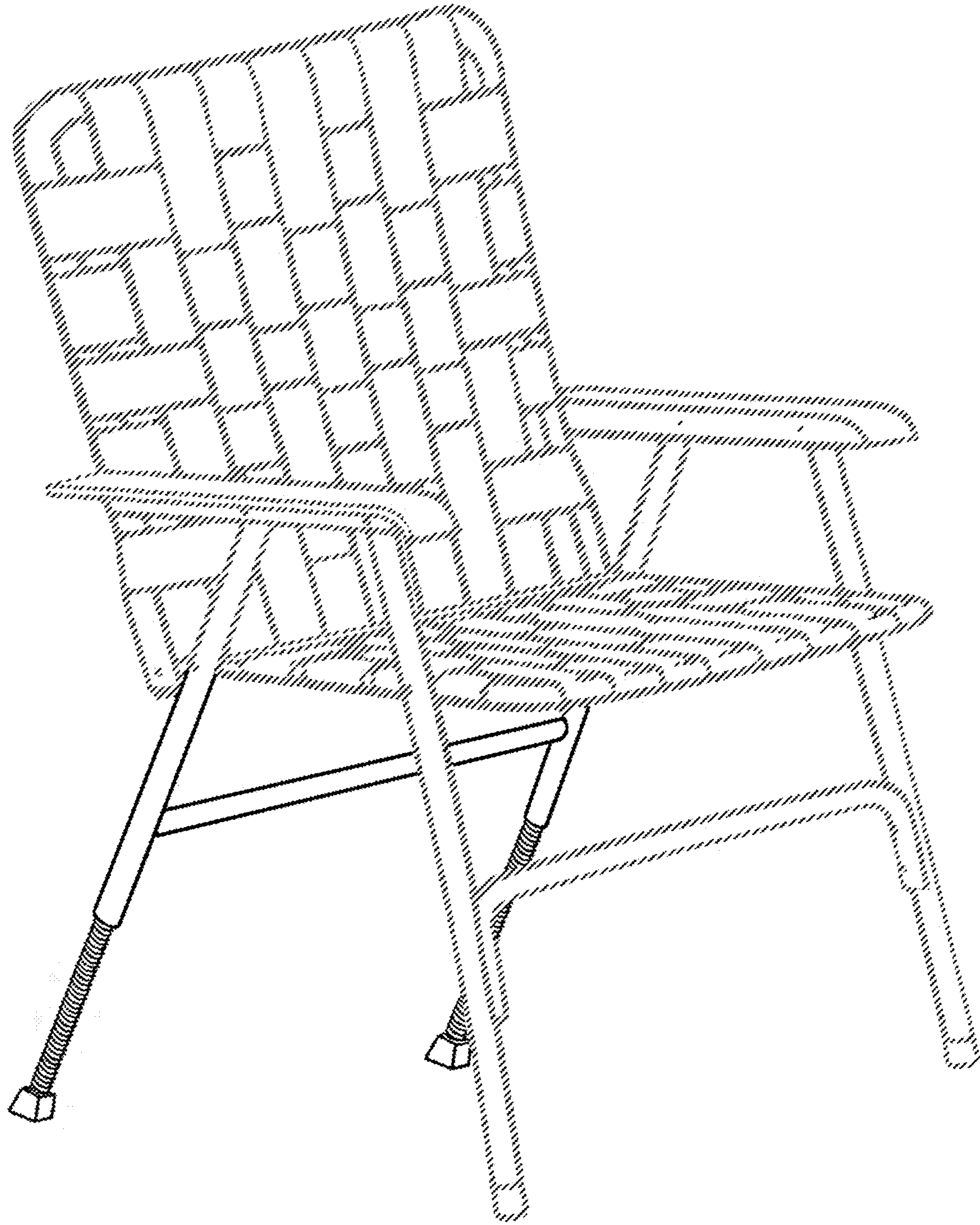


Figure 2

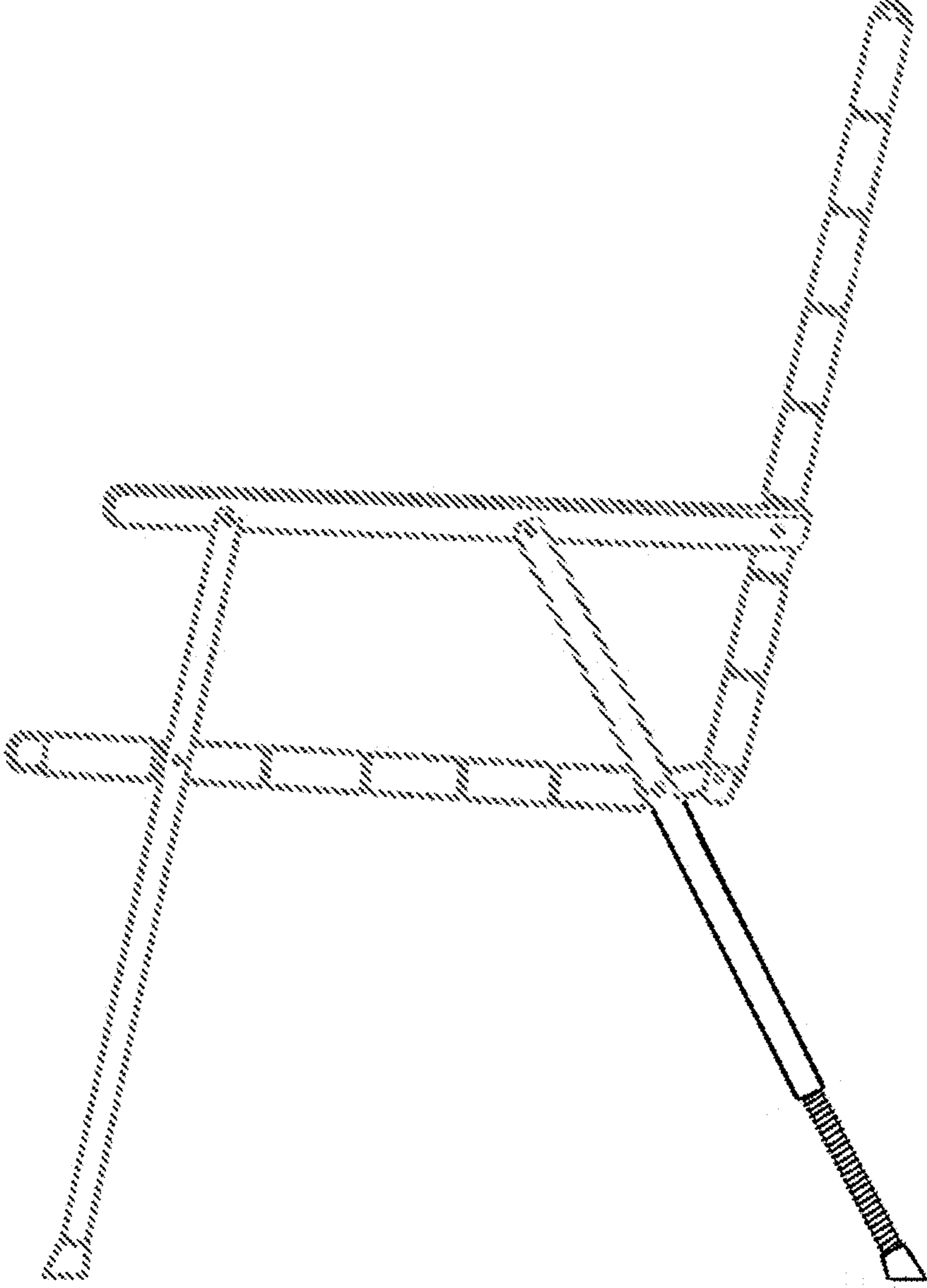


Figure 3

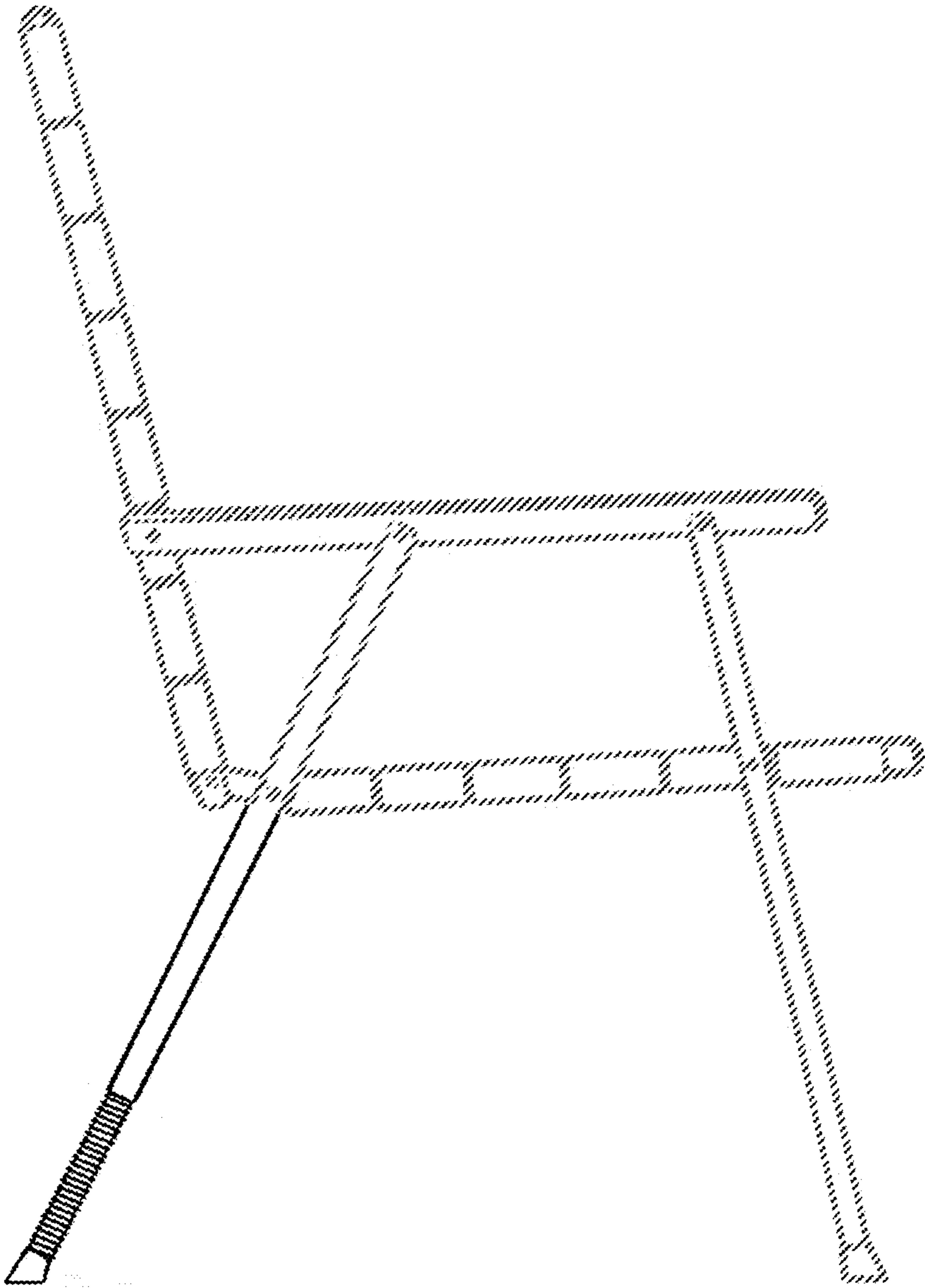


Figure 4