

US00D898492S

(12) **United States Design Patent** (10) **Patent No.:** **US D898,492 S**  
**Edgerton et al.** (45) **Date of Patent:** **\*\* Oct. 13, 2020**

- |  |  |
|--|--|
| (54) <b>CART</b>   | 3,579,962 A 5/1971 Mitten<br>3,648,433 A 3/1972 Owen<br>3,800,499 A * 4/1974 Feldman ..... B65B 67/10<br>53/168                  |
| (71) Applicant: <b>Target Brands, Inc.</b> , Minneapolis, MN<br>(US)   | 3,920,299 A 11/1975 Propst et al.<br>D237,931 S * 12/1975 Brandenfels ..... D6/675.1<br>D254,112 S * 2/1980 Handler ..... D6/684 |
| (72) Inventors: <b>Brian Edgerton</b> , Minneapolis, MN<br>(US); <b>Lucas Lorenz</b> , Minneapolis, MN<br>(US); <b>Nilesh Mohan</b> , Medina, MN<br>(US) | 4,272,136 A 6/1981 Sengua<br>4,551,962 A 11/1985 Kawakara<br>4,905,609 A * 3/1990 Haskins ..... A47B 13/06<br>108/23             |
| (73) Assignee: <b>Target Brands, Inc.</b> , Minneapolis, MN<br>(US)  | (Continued)  |

(\*\*) Term: **15 Years**

(21) Appl. No.: **29/663,688**

(22) Filed: **Sep. 18, 2018**

(51) **LOC (12) Cl.** ..... **06-03**

(52) **U.S. Cl.**  
USPC ..... **D6/684**

(58) **Field of Classification Search**  
 USPC ... D6/641, 655.18, 662.1, 671, 675.1, 675.3,  
 D6/684; D21/522; D24/185; D34/14,  
 D34/17, 21, 25, 26  
 CPC ..... A47B 37/00; A47B 96/00; B25H 1/04;  
 B25H 3/06; B01L 9/02; B65B 67/10  
 See application file for complete search history.

(56) **References Cited**

U.S. PATENT DOCUMENTS

- |               |         |                |       |                         |
|---------------|---------|----------------|-------|-------------------------|
| 1,582,100 A * | 4/1926  | Troppman       | ..... | B24B 13/00<br>144/286.5 |
| 1,828,248 A * | 10/1931 | Hallowell      | ..... | B25H 1/04<br>280/47.24  |
| D129,929 S *  | 10/1941 | Pressman       | ..... | D21/522                 |
| 2,921,424 A   | 1/1960  | Wertheimer     |       |                         |
| D187,279 S *  | 2/1960  | Gusdorf        | ..... | D34/21                  |
| 2,943,897 A   | 7/1960  | Johnson et al. |       |                         |
| 3,019,584 A   | 2/1962  | Arvidson       |       |                         |
| D215,931 S    | 11/1969 | Sandefur       |       |                         |

OTHER PUBLICATIONS

“Global Industrial Packing Workbench and Riser with 3 Shelves.”  
Found online Jun. 9, 2020 at [www.globalindustrial.com](http://www.globalindustrial.com). Product  
reviewed Apr. 14, 2011. Retrieved from URL: <https://tinyurl.com/yalwocwt> (Year: 2011).\*

(Continued)

*Primary Examiner* — Mary Ann Calabrese  
*Assistant Examiner* — Katelin G Kloberg  
 (74) *Attorney, Agent, or Firm* — Leanne Taveggia Farrell;  
 Westman, Champlin & Koehler, P.A.

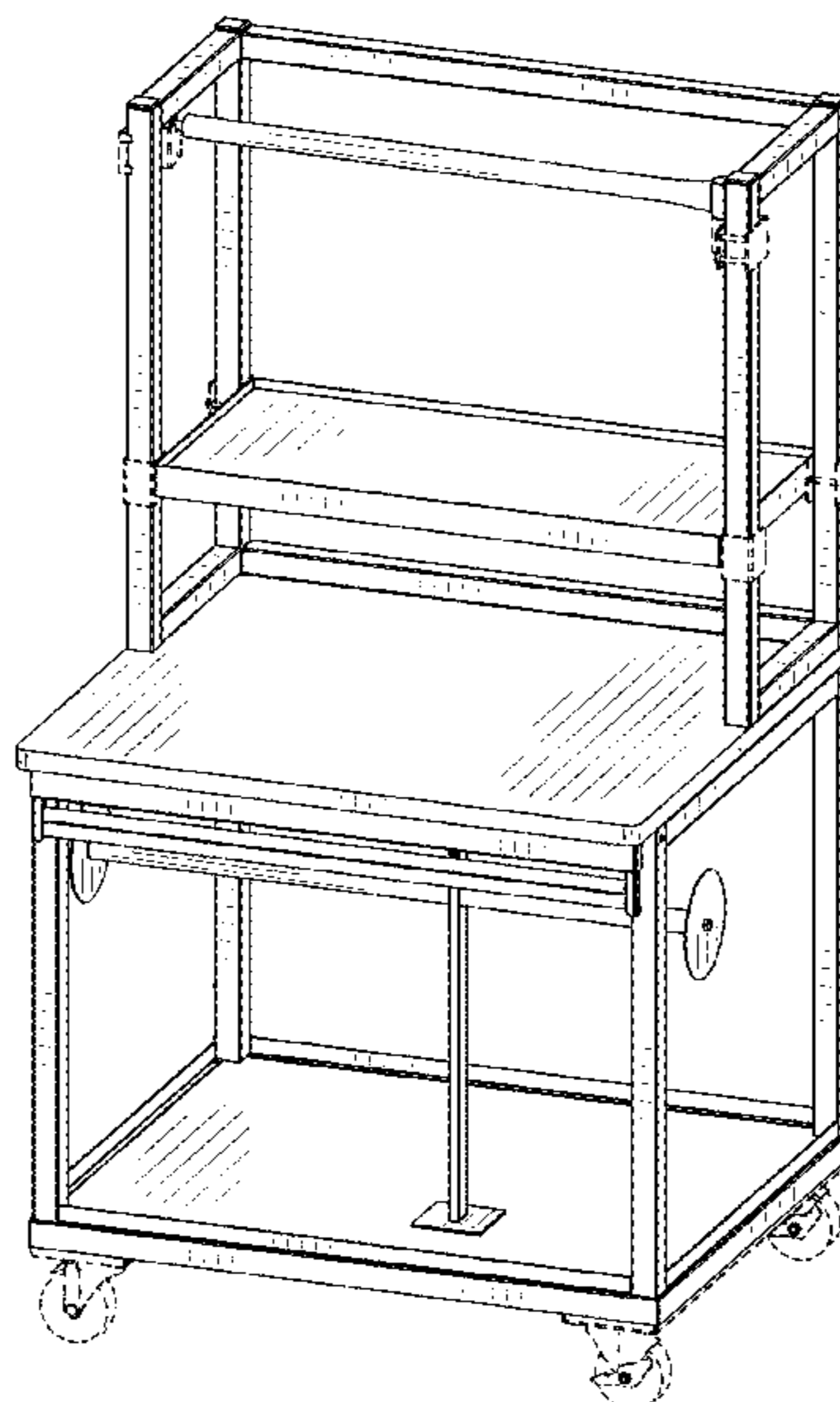
(57) **CLAIM**

The ornamental design for a cart, as shown and described.

**DESCRIPTION**

FIG. 1 is a perspective view of a cart showing our new design;  
 FIG. 2 is a front view thereof;  
 FIG. 3 is a right side view thereof, the left side view being  
 a mirror image; and,  
 FIG. 4 is a top view thereof.  
 The broken lines shown in the drawings are included for  
 purposes of illustrating portions of the cart and form no part  
 of the claimed design.

**1 Claim, 4 Drawing Sheets**



(56)

References Cited

U.S. PATENT DOCUMENTS

4,936,079 A \* 6/1990 Skalsky ..... A47F 13/085  
242/423.1  
D343,534 S \* 1/1994 Holsapple ..... D6/662.1  
D372,817 S 8/1996 Stevens  
D379,724 S \* 6/1997 Lo ..... D6/662.1  
5,848,711 A \* 12/1998 Schmit ..... A47B 95/008  
211/90.04  
5,881,500 A 3/1999 Latino et al.  
D415,365 S 10/1999 Nicklas  
D437,708 S 2/2001 Bargmann et al.  
6,267,064 B1 7/2001 Ostertag et al.  
D448,135 S \* 9/2001 Petro ..... D34/17  
6,311,627 B1 11/2001 Draper et al.  
D466,717 S \* 12/2002 Cho ..... D6/652.2  
D493,593 S \* 7/2004 Anderson ..... D34/14  
6,938,397 B2 9/2005 Miller  
6,990,909 B2 1/2006 Gosling et al.  
7,147,115 B2 12/2006 Perkins et al.  
7,249,700 B1 7/2007 Watson et al.  
D547,972 S \* 8/2007 Pflaster ..... D6/655.18  
D561,972 S \* 2/2008 Roever ..... D34/17  
D574,499 S \* 8/2008 Lambalot ..... D24/185  
7,543,704 B2 6/2009 Miller  
7,634,967 B1 12/2009 Albright et al.  
7,712,847 B1 5/2010 Albright et al.  
D619,723 S \* 7/2010 Lambalot ..... D24/185  
7,987,758 B2 8/2011 Chabansky  
D676,498 S \* 2/2013 Desberg ..... D21/522  
8,402,900 B2 3/2013 Burak et al.  
D702,467 S \* 4/2014 Huang ..... A47B 47/04  
D6/707.19  
D706,064 S \* 6/2014 Ota ..... D6/675.3  
9,125,486 B2 9/2015 Rheault et al.  
D747,124 S \* 1/2016 O'Donnell, Sr. .... D6/662.1

D748,359 S \* 1/2016 Lustig ..... D34/21  
9,532,647 B2 1/2017 Bedard et al.  
D883,719 S \* 5/2020 Li ..... D6/675.1  
2014/0331901 A1\* 11/2014 Seefeldt ..... A47B 13/02  
108/50.02

OTHER PUBLICATIONS

“Keenshelving—Packing Table.” Found online Jun. 9, 2020 at [www.keenshelving.com](http://www.keenshelving.com). Image dated Nov. 24, 2017. Retrieved from URL: <http://www.keenshelving.com/a/Mezzanine%20Floors/130.htm> (Year: 2017).\*

“Improve efficiencies within your pack room operation.” Found online Jun. 9, 2020 at [www.fdiforum.net](http://www.fdiforum.net). Page dated Apr. 29, 2020. Retrieved from URL: <https://www.fdiforum.net/mag/packaging/improve-efficiencies-within-your-pack-room-operation/> (Year: 2020).\*

“Coral Coast Potting Bench.” Found online Jun. 9, 2020 at [www.amazon.com](http://www.amazon.com). Product reviewed Mar. 22, 2015. Retrieved from URL: <https://www.amazon.com/Coral-Coast-Potting-Bench-Hanging/dp/B00P1FVC3S> (Year: 2015).\*

Precision Warehouse Design LLC, “1000Bulbs.com Packing Area”, at least as early as Oct. 9, 2013, <http://precisionwarehouse.design.com/pwdblog/?p=53>, 1 page.

Britto, Brittany, Baltimore Sun, “Workers’ Cyber Monday mantra: Pick, pack and ship”, at least as early as Mar. 14, 2018, [http://digitaledition.baltimoresun.com/tribune/article\\_popover.aspx?guid=b0d1c6c3-fc25-45e9-aa02-caa1ba29fff0](http://digitaledition.baltimoresun.com/tribune/article_popover.aspx?guid=b0d1c6c3-fc25-45e9-aa02-caa1ba29fff0), 1 page.

Formaspace, “Pharmaceutical Packing & Automation Station”, at least as early as Mar. 14, 2018, <https://formaspace.com/workbench-gallery/#!category/workbench-applications/material-handling?product=9882>, 1 page.

Design U.S. Appl. No. 29/659,934, filed Aug. 14, 2018, entitled “Pack Station”, 9 pages.

\* cited by examiner

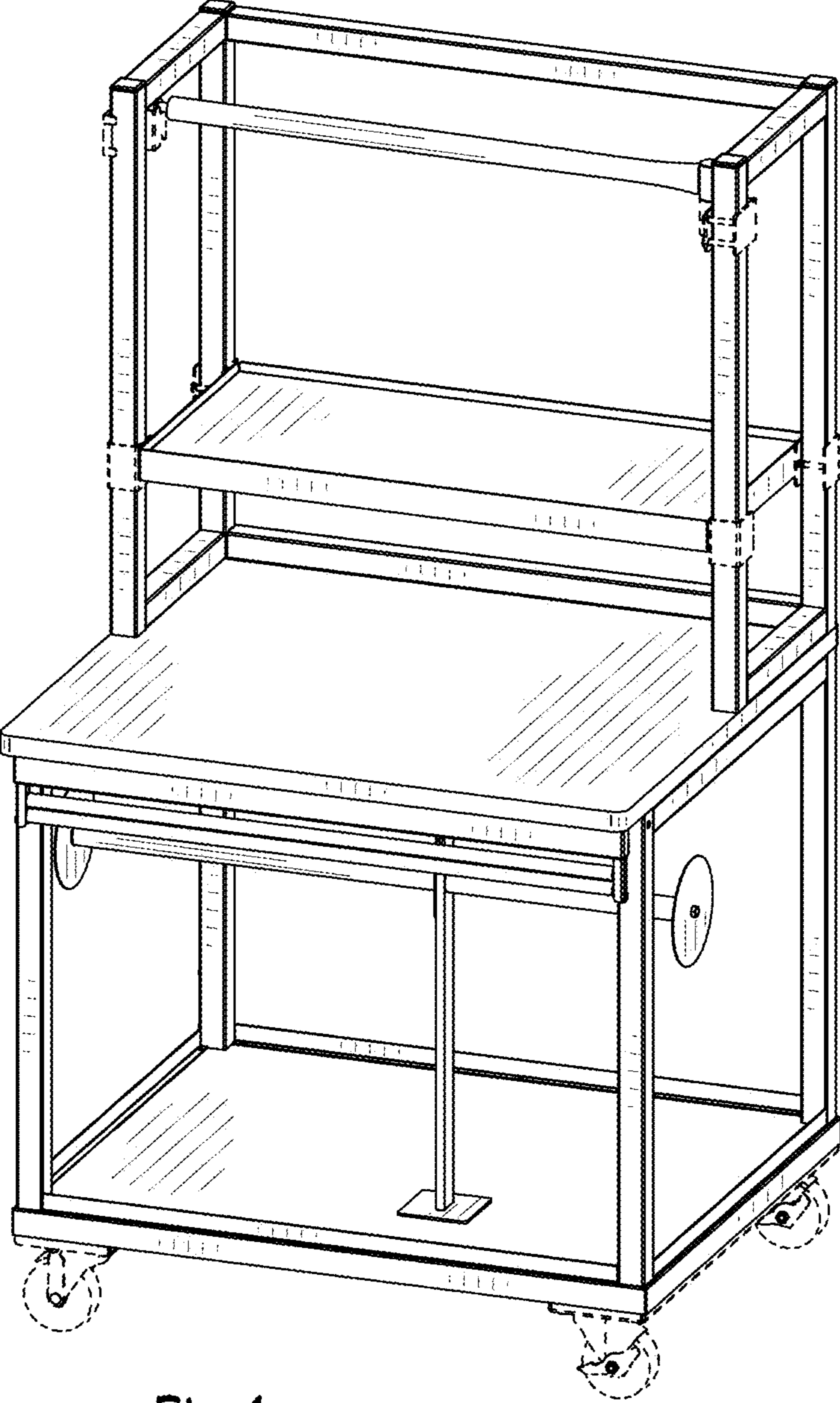


Fig. 1

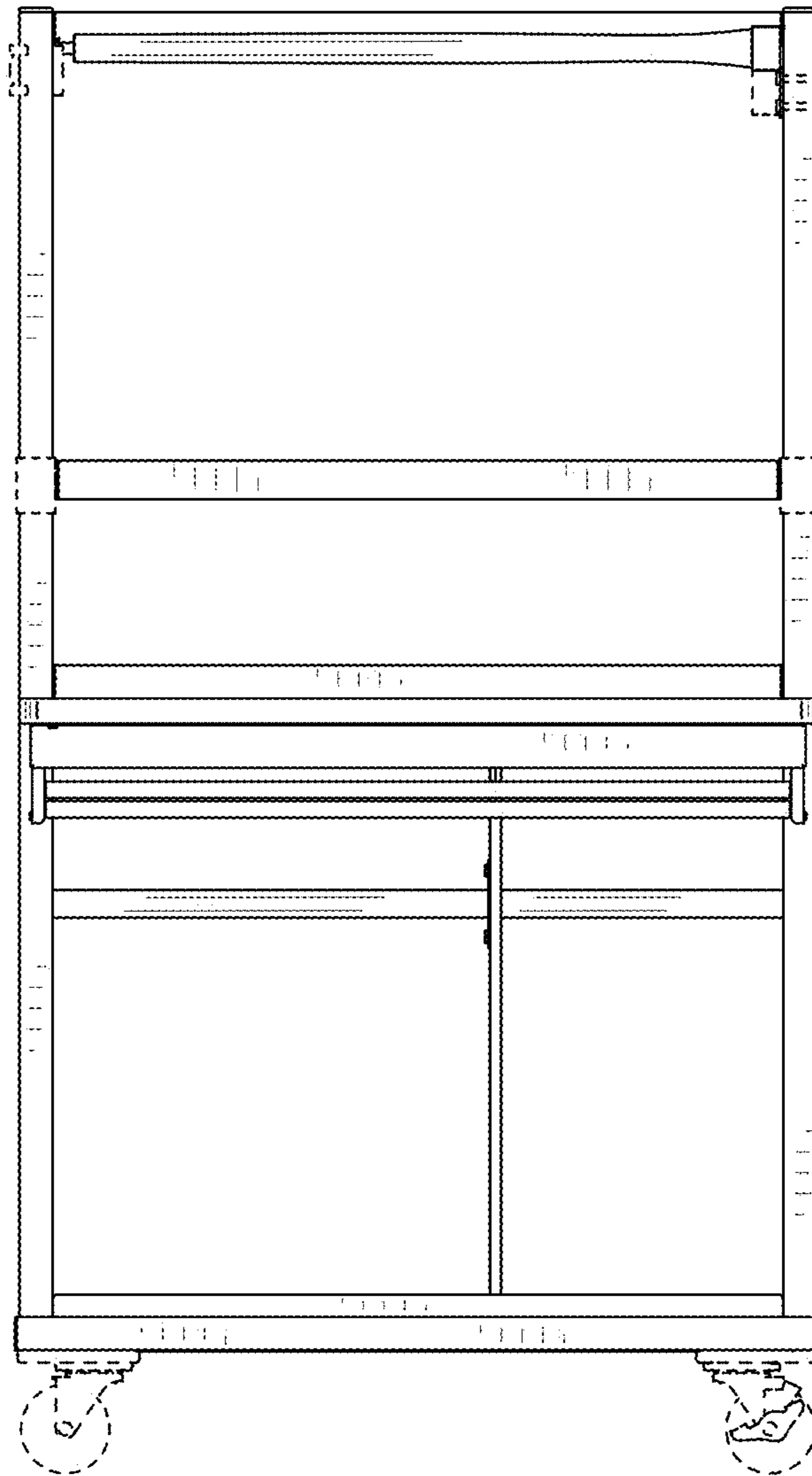


Fig. 2

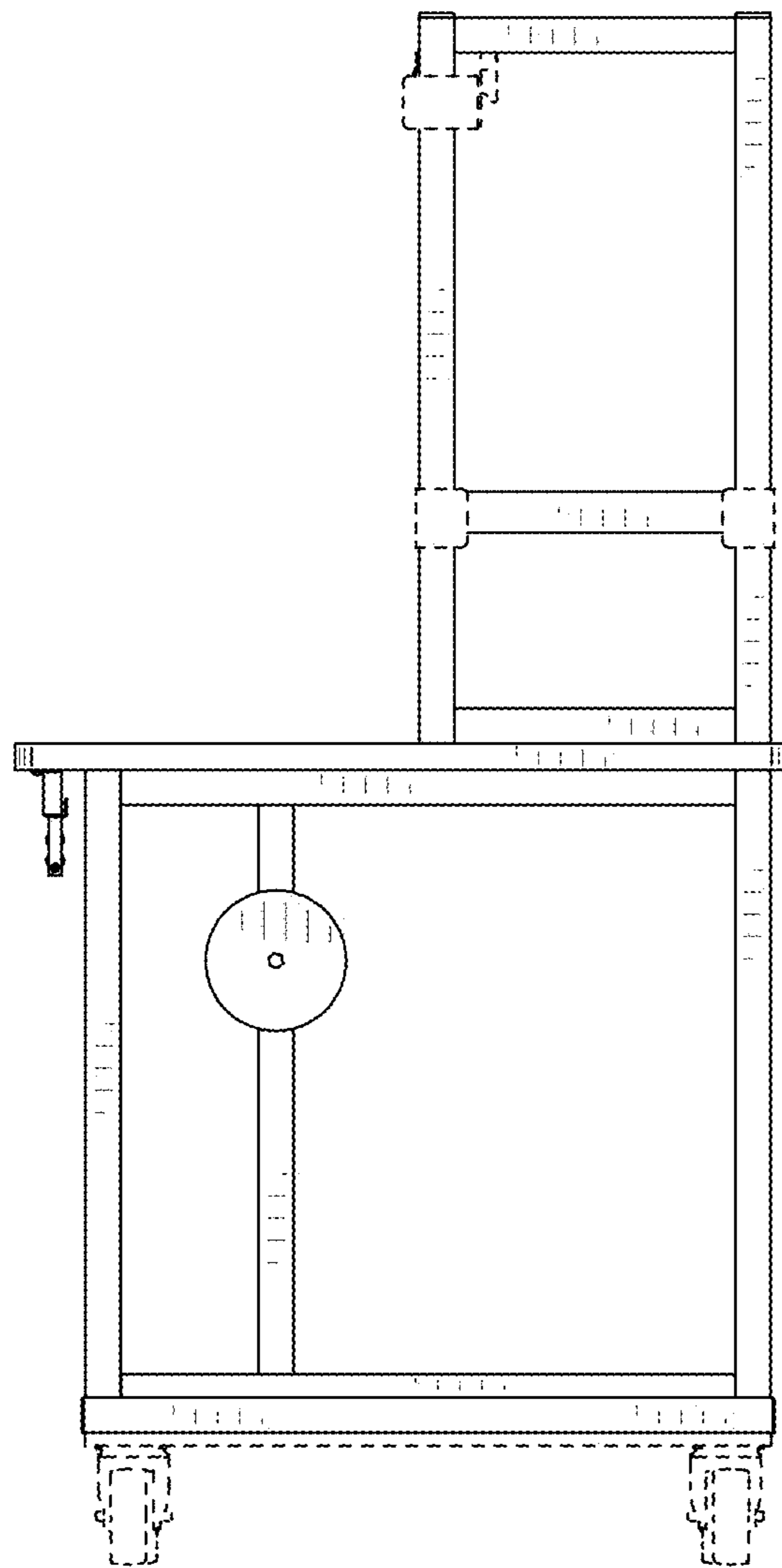


Fig. 3

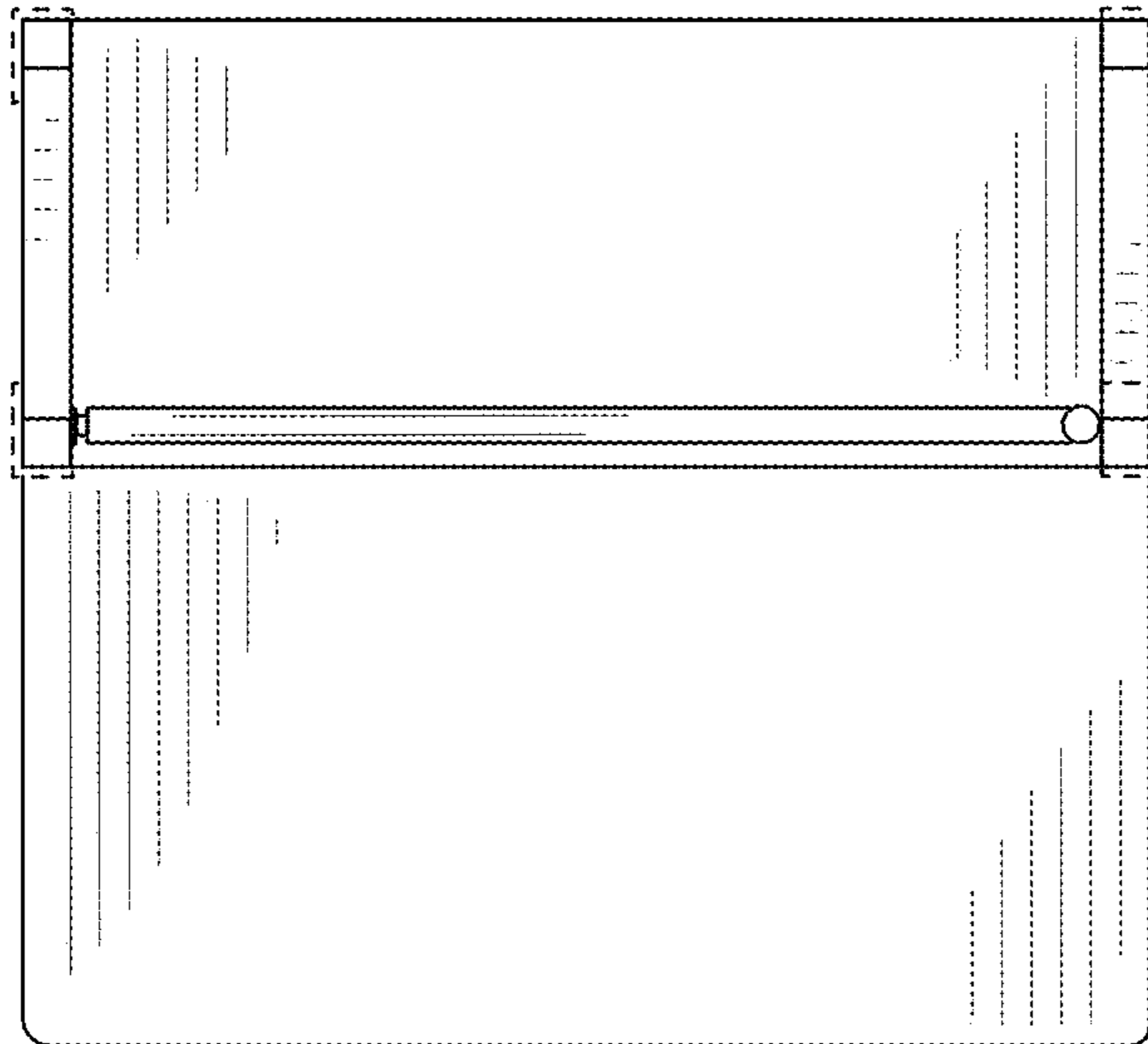


Fig. 4