



US00D898490S

(12) **United States Design Patent** (10) **Patent No.:** **US D898,490 S**  
**Schwalbach et al.** (45) **Date of Patent:** **\*\* Oct. 13, 2020**

(54) **DISPLAY STAND**

CPC ..... A47F 5/0018; A47F 5/0043; A47F 7/00;  
A47F 7/02; A47F 7/022

(71) Applicant: **Apple Inc.**, Cupertino, CA (US)

See application file for complete search history.

(72) Inventors: **Charles A. Schwalbach**, Menlo Park, CA (US); **Sheng Yang**, Mountain View, CA (US); **Russell John Kaaihue Heirakuji**, Cupertino, CA (US); **Carly Lynn Marasco**, Los Gatos, CA (US); **Michael Gorman**, Dublin, CA (US)

(56) **References Cited**

U.S. PATENT DOCUMENTS

D214,768 S 7/1969 Hillis  
D244,857 S 6/1977 Hayes

(Continued)

(73) Assignee: **Apple Inc.**, Cupertino, CA (US)

FOREIGN PATENT DOCUMENTS

(\*\*) Term: **15 Years**

JP D1430086 12/2011  
KR 30-0337376 11/2003

(21) Appl. No.: **29/729,768**

OTHER PUBLICATIONS

(22) Filed: **Mar. 30, 2020**

“Freedom Series,” Takachiho Koheki Co., Ltd., cited in Office Action dated Apr. 6, 2016, in Japanese Patent Application No. 2015-009263, Apple Inc., filed Apr. 24, 2015.

**Related U.S. Application Data**

(63) Continuation of application No. 29/701,163, filed on Aug. 8, 2019, now Pat. No. Des. 879,519, which is a continuation of application No. 29/672,734, filed on Dec. 7, 2018, now Pat. No. Des. 856,045, which is a continuation of application No. 29/641,661, filed on Mar. 23, 2018, now Pat. No. Des. 835,440, which is a continuation of application No. 29/609,617, filed on Jul. 3, 2017, now Pat. No. Des. 813,576, which is a continuation of application No. 29/588,391, filed on Dec. 20, 2016, now Pat. No. Des. 792,133, and a continuation of application No. 29/588,390, filed on Dec. 20, 2016, now Pat. No. Des. 791,521, and a continuation of application No. 29/564,382, filed on May 12, 2016, now Pat. No. Des. 777,482, and a continuation of application No. 29/564,382, filed on May 12, 2016, now Pat. No. Des. 777,482, which is

(Continued)

*Primary Examiner* — Kelley A Donnelly

(74) *Attorney, Agent, or Firm* — Sterne, Kessler, Goldstein & Fox P.L.L.C.

(51) **LOC (12) Cl.** ..... **06-06**

(57) **CLAIM**

(52) **U.S. Cl.**  
USPC ..... **D6/682**

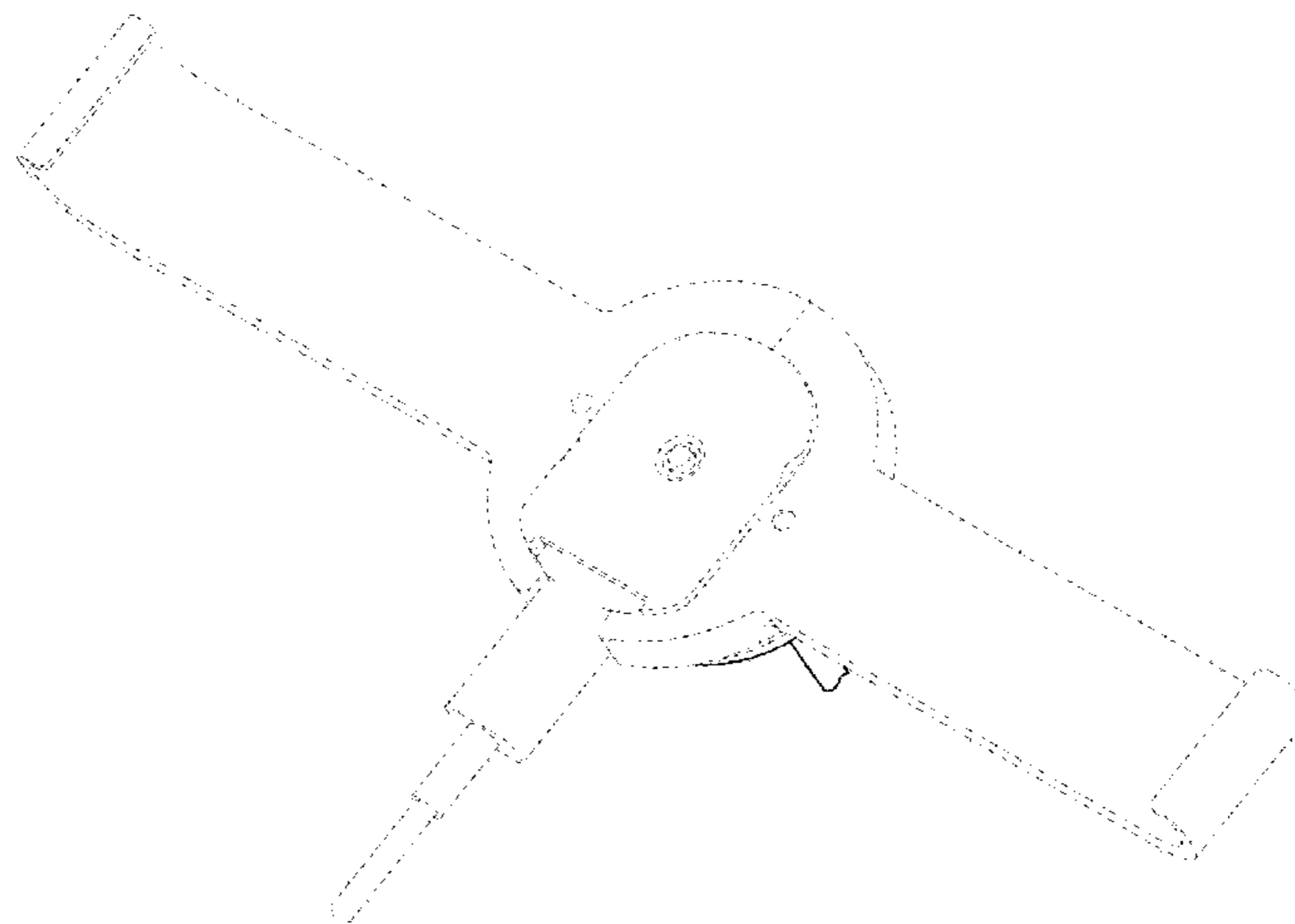
The ornamental design for a display stand, as shown and described.

(58) **Field of Classification Search**  
USPC ..... D6/672, 673, 677, 682.1, 708, 708.17,  
D6/708.2

**DESCRIPTION**

FIG. 1 is a top front perspective view of a display stand showing the claimed design;  
FIG. 2 is a front view thereof;  
FIG. 3 is a rear view thereof;  
FIG. 4 is a left side view thereof;  
FIG. 5 is a right side view thereof;  
FIG. 6 is a top view thereof; and,  
FIG. 7 is a bottom view thereof.

(Continued)



The broken lines in the figures show portions of the display stand or environment that form no part of the claimed design.

**1 Claim, 6 Drawing Sheets**

**Related U.S. Application Data**

a continuation of application No. 29/537,088, filed on Aug. 21, 2015, now Pat. No. Des. 756,152, which is a continuation of application No. 29/507,269, filed on Oct. 24, 2014, now Pat. No. Des. 737,081.

(56)

**References Cited**

U.S. PATENT DOCUMENTS

D250,801 S	1/1979	Bergen et al.	D673,960 S	1/2013	Linclfield et al.
D268,743 S	4/1983	Lubin	D681,974 S	5/2013	Naples et al.
D314,501 S	2/1991	Pagano	D682,814 S	5/2013	Kadivar et al.
D367,408 S	2/1996	Fordyce	D685,253 S	7/2013	Hiebert
D393,959 S	5/1998	Geier et al.	D685,806 S	7/2013	Kim et al.
D407,408 S	3/1999	Hoff	D687,440 S	8/2013	Shieh
D413,035 S	8/1999	Weterrings et al.	D695,714 S	12/2013	Lee
6,109,569 A	8/2000	Sakaida	D696,259 S	12/2013	Howarth et al.
D446,043 S	8/2001	Stoppenhagen et al.	D696,674 S	12/2013	Vogel
6,476,717 B1	11/2002	Gross et al.	D698,568 S	2/2014	Chen
D485,710 S	1/2004	Burkhart et al.	D703,657 S	4/2014	Camevali
D488,741 S	4/2004	Moya	D704,199 S	5/2014	Byun
D490,559 S	5/2004	Small	D709,066 S	7/2014	Byun
D510,358 S	10/2005	Ezure	D709,357 S	7/2014	Bell
D510,822 S	10/2005	Spiers et al.	D709,607 S	7/2014	Wang
7,209,038 B1	4/2007	Deconinck et al.	D720,752 S	1/2015	Bleeds
D542,279 S	5/2007	Chan	D721,510 S	1/2015	Hagerty
D545,826 S	7/2007	Richter	D728,576 S	5/2015	David et al.
D588,438 S	3/2009	Keller	D729,043 S	5/2015	Poppell
D589,962 S	4/2009	Maruyama et al.	D731,496 S	6/2015	Voorhees
D590,184 S	4/2009	Barabas et al.	D733,967 S	7/2015	Schlatter
D599,241 S	9/2009	Andre et al.	D734,746 S	7/2015	Vogel
D608,718 S	1/2010	Nas et al.	D735,162 S	7/2015	Allen
D612,837 S	3/2010	Murray	D737,081 S	8/2015	Schwalbach et al.
7,724,135 B2	5/2010	Rapp et al.	D741,093 S	10/2015	McKinney et al.
D617,383 S	6/2010	Yoon	D743,941 S	11/2015	Patsis
7,740,214 B2	6/2010	Marsilio et al.	D744,621 S	12/2015	Shavatt et al.
7,748,669 B2	7/2010	Lu et al.	D756,152 S	5/2016	Schwalbach et al.
D628,203 S	11/2010	Noble	D763,263 S	8/2016	Wierenga
D629,405 S	12/2010	Crysell	D764,478 S	8/2016	Radmard
D633,973 S	3/2011	Ringl	D769,852 S	10/2016	Godycki et al.
D641,610 S	7/2011	Sedalo	D771,614 S	11/2016	Chang
D645,047 S	9/2011	Wike	D775,874 S	1/2017	Huang
8,020,816 B2	9/2011	Laitila et al.	D777,482 S	1/2017	Schwalbach et al.
D647,726 S	11/2011	Strauch	D789,373 S	6/2017	King
D652,422 S	1/2012	Cheng	D792,133 S *	7/2017	Schwalbach ..... D6/682.3
8,087,625 B2	1/2012	Chang	D798,636 S	10/2017	Van Lingham, Jr.
8,145,821 B2	3/2012	Mead et al.	D798,808 S	10/2017	Ptok et al.
D663,972 S	7/2012	Alexander et al.	D801,414 S	10/2017	Martin et al.
			D803,208 S	11/2017	Cai
			D803,840 S	11/2017	Burmester
			D806,455 S	1/2018	Hendren
			D837,223 S	1/2019	Wu et al.
			D841,373 S	2/2019	Akana et al.
			D876,132 S *	2/2020	Akana ..... D6/682
			D879,519 S *	3/2020	Schwalbach ..... D6/682.3
			2004/0084579 A1	5/2004	Lee et al.
			2006/0198692 A1	9/2006	Petit
			2009/0218240 A1	9/2009	Allen et al.
			2011/0047844 A1	3/2011	Fawcett et al.
			2011/0068919 A1	3/2011	Rapp et al.
			2011/0084838 A1	4/2011	Fawcett
			2011/0187531 A1	8/2011	Oehl et al.
			2012/0188082 A1	7/2012	Berglund et al.
			2012/0280810 A1	11/2012	Wheeler
			2014/0106608 A1	4/2014	Howarth et al.
			2014/0138419 A1	5/2014	Minn et al.
			2015/0021458 A1	1/2015	Zorovich et al.

\* cited by examiner

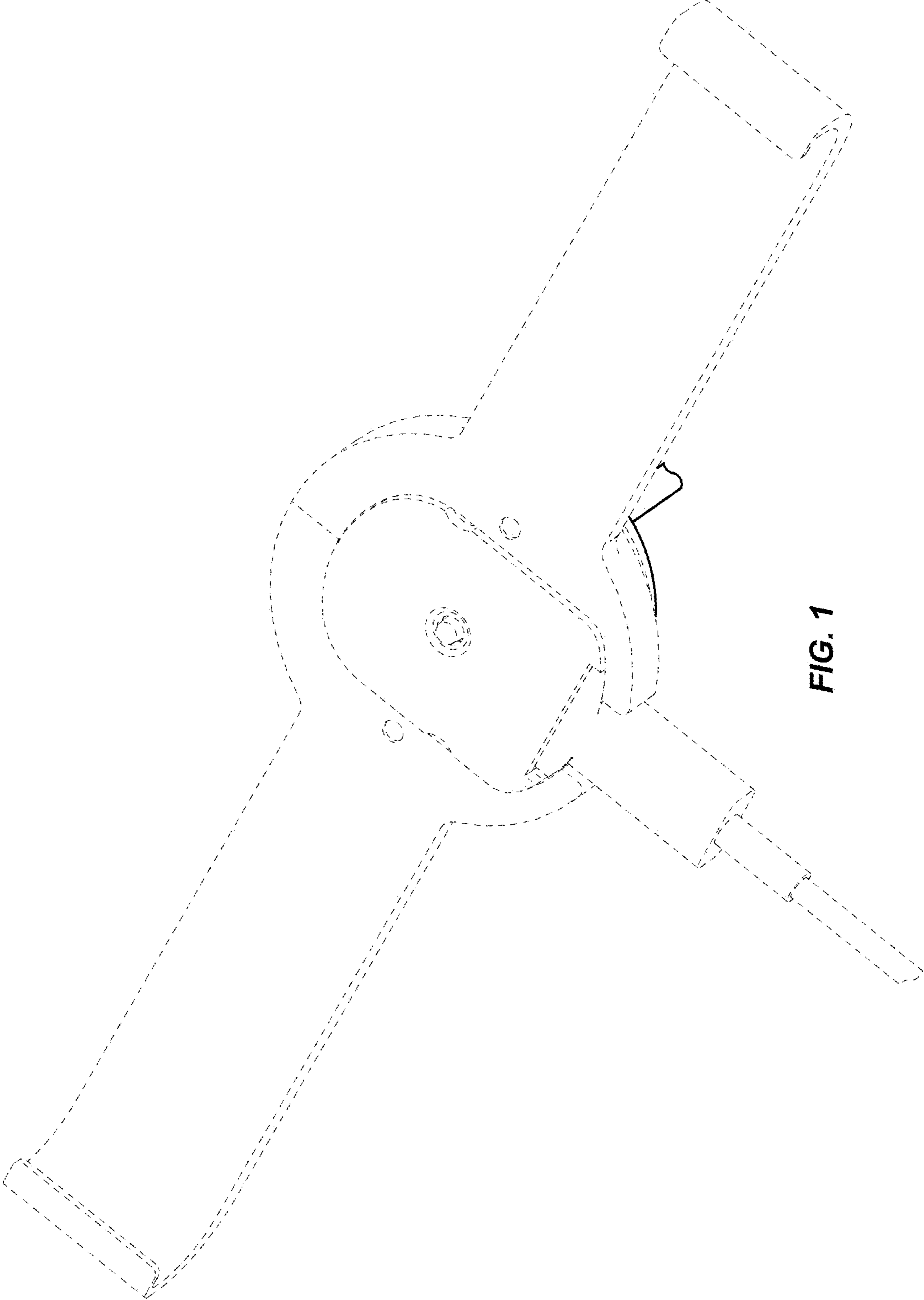


FIG. 1

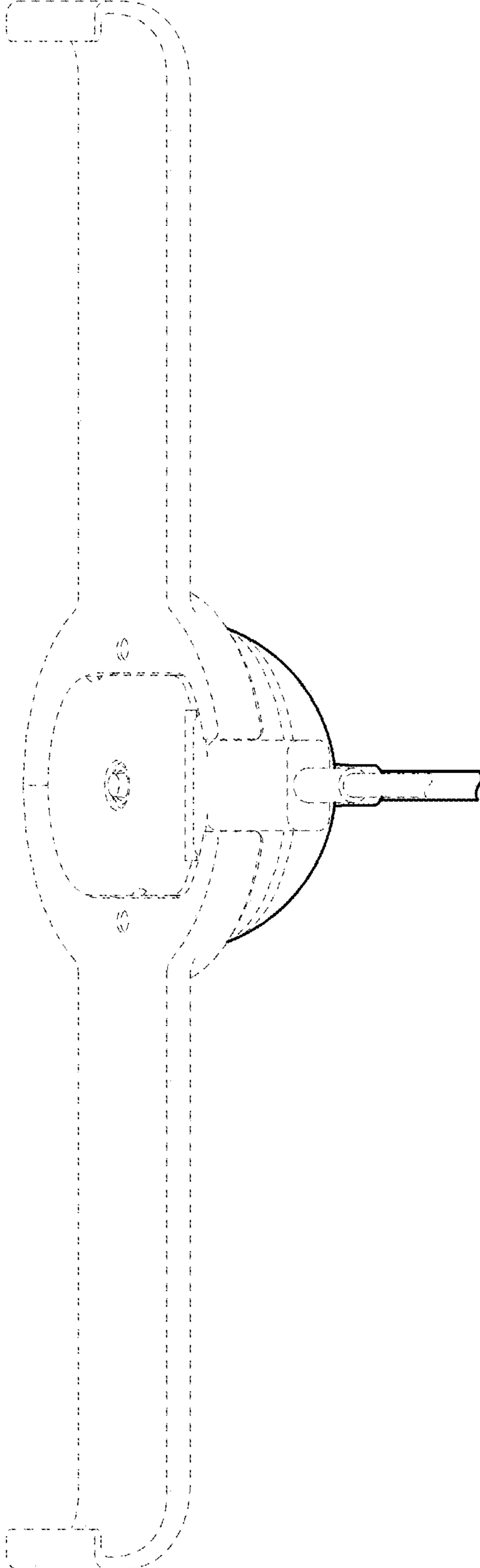


FIG. 2

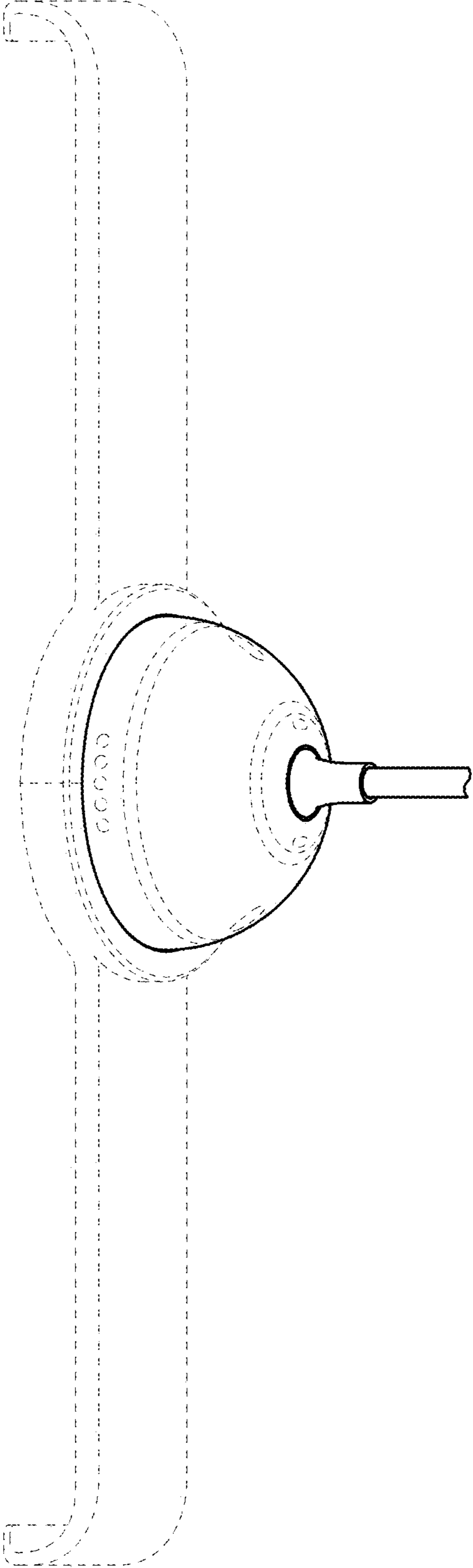
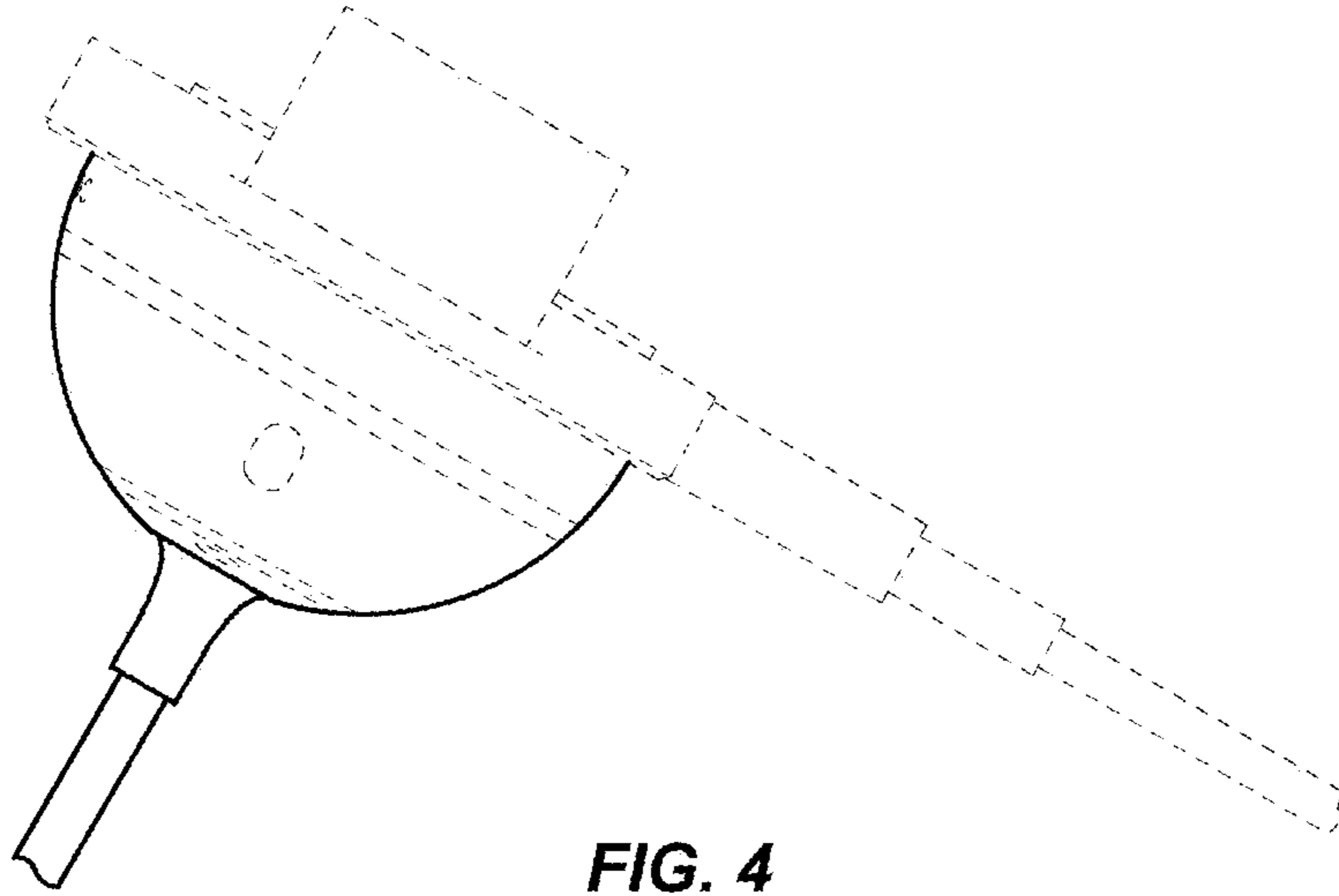
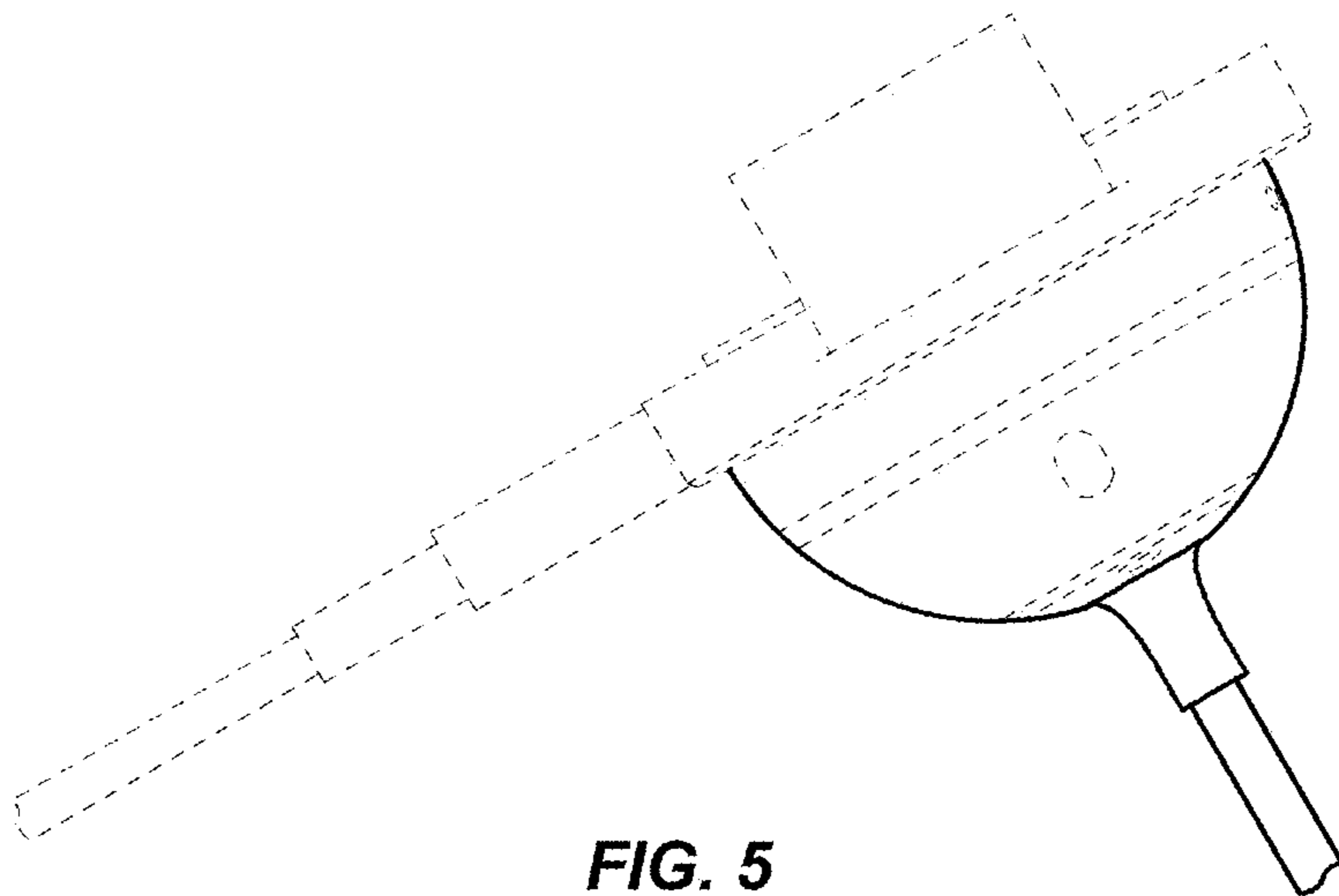


FIG. 3



**FIG. 4**



**FIG. 5**

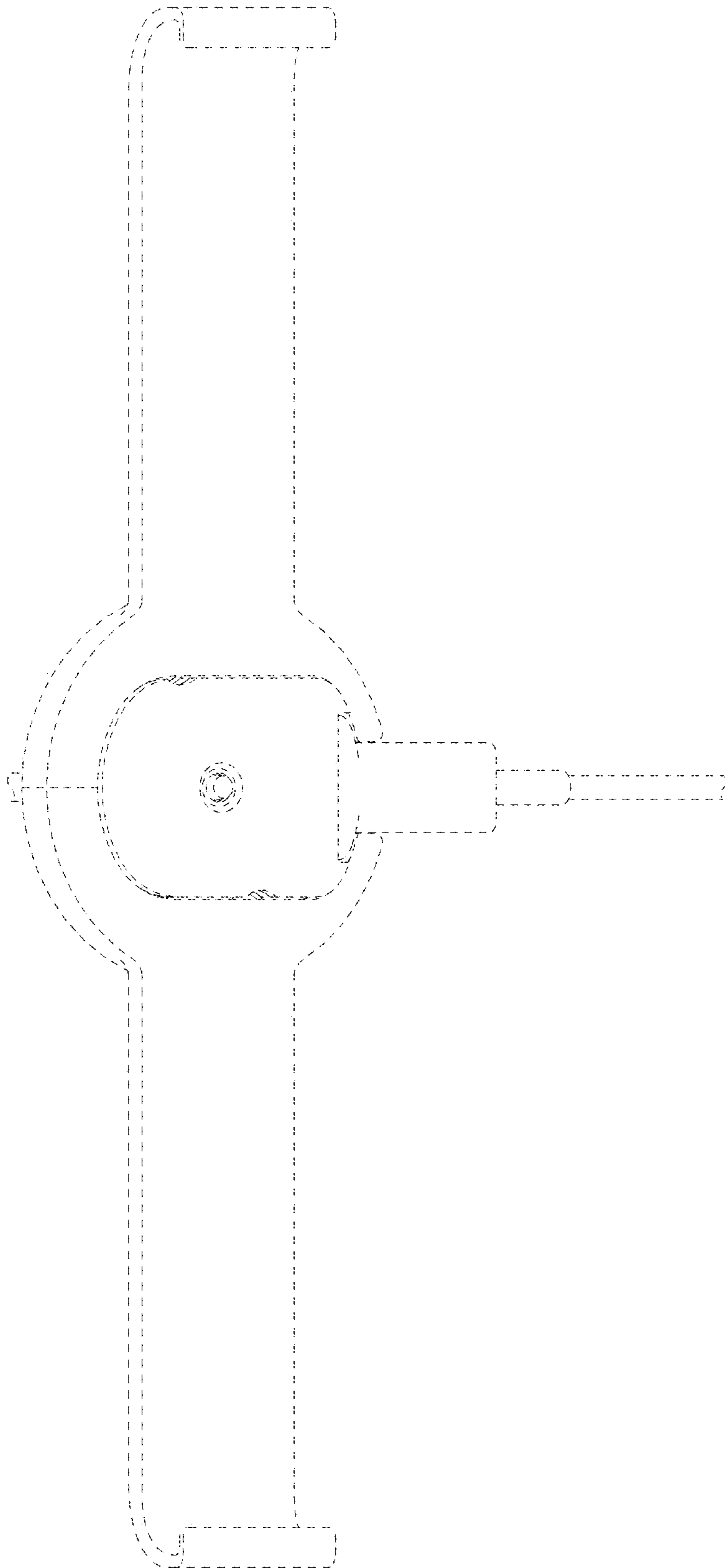


FIG. 6

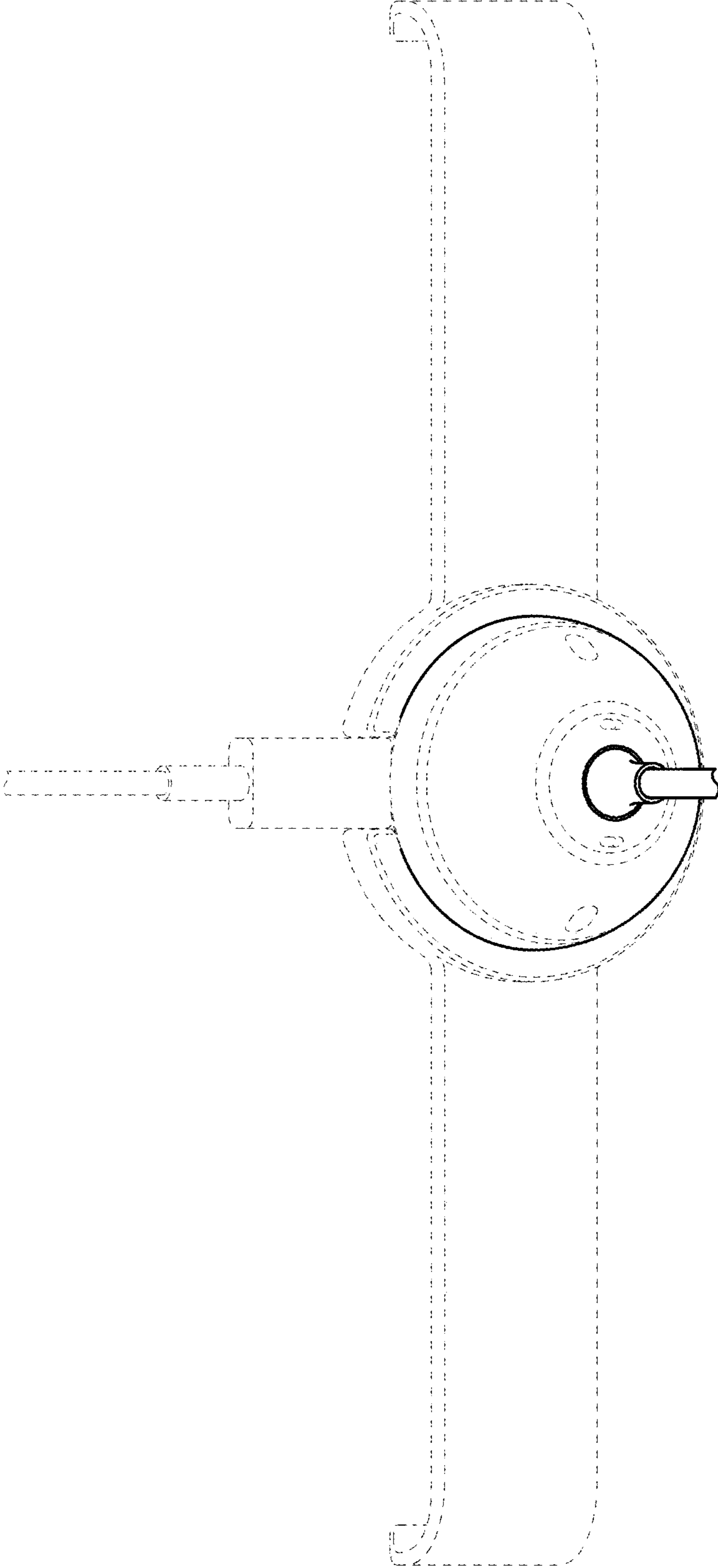


FIG. 7



UNITED STATES PATENT AND TRADEMARK OFFICE  
**CERTIFICATE OF CORRECTION**

PATENT NO. : D898,490 S  
APPLICATION NO. : 29/729768  
DATED : October 13, 2020  
INVENTOR(S) : Schwalbach et al.

Page 1 of 1

It is certified that error appears in the above-identified patent and that said Letters Patent is hereby corrected as shown below:

In the Related U.S. Application Data item (63), please replace:

“Continuation of application No. 29/701,163, filed on Aug. 8, 2019, now Pat. No. Des. 879,519, which is a continuation of application No. 29/672,734, filed on Dec. 7, 2018, no Pat. No. Des. 856,045, which is a continuation of application No. 29/641,661, filed on Mar. 23, 2018, now Pat. No. Des. 835,440, which is a continuation of application No. 29/609,617, filed on Jul. 3, 2017, now Pat. No. Des. 813,576, which is a continuation of application No. 29/588,391, filed on Dec. 20, 2016, now Pat. No. Des. 792,133, and a continuation of application No. 29/588,390, filed on Dec. 20, 2016, now Pat. No. Des. 791,521, and a continuation of application No. 29/564,382, filed on May 12, 2016, now Pat. No. Des. 777,482, and a continuation of application No. 29/564,382, filed on May 12, 2016, now Pat. No. Des. 777,482, which is a continuation of application No. 29/537,088, filed on Aug. 21, 2015, now Pat. No. Des. 756,152, which is a continuation of application No. 29/507,269, filed on Oct. 24, 2014, now Pat. No. Des. 737,081.”

With:

-- Continuation of application No. 29/701,163, filed on Aug. 8, 2019, now Pat. No. Des. 879,519, which is a continuation of application No. 29/672,734, filed on Dec. 7, 2018, no Pat. No. Des. 856,045, which is a continuation of application No. 29/641,661, filed on Mar. 23, 2018, now Pat. No. Des. 835,440, which is a continuation of application No. 29/609,617, filed on Jul. 3, 2017, now Pat. No. Des. 813,576, which is a continuation of application No. 29/588,391, filed on Dec. 20, 2016, now Pat. No. Des. 792,133, and a continuation of application No. 29/588,390, filed on Dec. 20, 2016, now Pat. No. Des. 791,521. Said application Nos. 29/588,390 and 29/588,391 are continuations of application No. 29/564,382, filed on May 12, 2016, now Pat. No. Des. 777,482, which is a continuation of application No. 29/564,382, filed on May 12, 2016, now Pat. No. Des. 777,482, which is a continuation of application No. 29/537,088, filed on Aug. 21, 2015, now Pat. No. Des. 756,152, which is a continuation of application No. 29/507,269, filed on Oct. 24, 2014, now Pat. No. Des. 737,081. --

Signed and Sealed this  
Twenty-sixth Day of January, 2021



Drew Hirshfeld  
*Performing the Functions and Duties of the  
Under Secretary of Commerce for Intellectual Property and  
Director of the United States Patent and Trademark Office*