



US00D898488S

(12) **United States Design Patent**
Chen

(10) **Patent No.:** **US D898,488 S**

(45) **Date of Patent:** **** Oct. 13, 2020**

(54) **ROTATABLE DISPLAY STAND**

(71) Applicant: **Xiaoyan Chen**, Guangdong (CN)

(72) Inventor: **Xiaoyan Chen**, Guangdong (CN)

(**) Term: **15 Years**

(21) Appl. No.: **29/695,685**

(22) Filed: **Jun. 21, 2019**

(51) **LOC (12) Cl.** **06-06**

(52) **U.S. Cl.**
USPC **D6/677**

(58) **Field of Classification Search**
USPC D6/672, 677, 677.1, 677.2, 677.3, 682,
D6/682.1; D3/304, 313, 316
CPC B65D 1/00; B65D 11/02; B65D 1/0223
See application file for complete search history.

(56) **References Cited**

U.S. PATENT DOCUMENTS

D272,215 S * 1/1984 Daenen D7/558
D281,049 S * 10/1985 Rau D11/184
D441,258 S * 5/2001 Spiegelman D7/501

D542,570 S * 5/2007 Tabashi D6/692
D636,637 S * 4/2011 Lupkes D7/501
D663,969 S * 7/2012 Hundley D6/677
D732,891 S * 6/2015 Bonilla D30/129
D786,593 S * 5/2017 Almaghlouth D6/692.4
D850,859 S * 6/2019 Chen D7/558
D860,692 S * 9/2019 Vodrazka D6/677
D868,511 S * 12/2019 McBride D6/677.1
D870,518 S * 12/2019 Morrison D7/558
D886,500 S * 6/2020 Fukasawa D6/692

* cited by examiner

Primary Examiner — Kelley A Donnelly

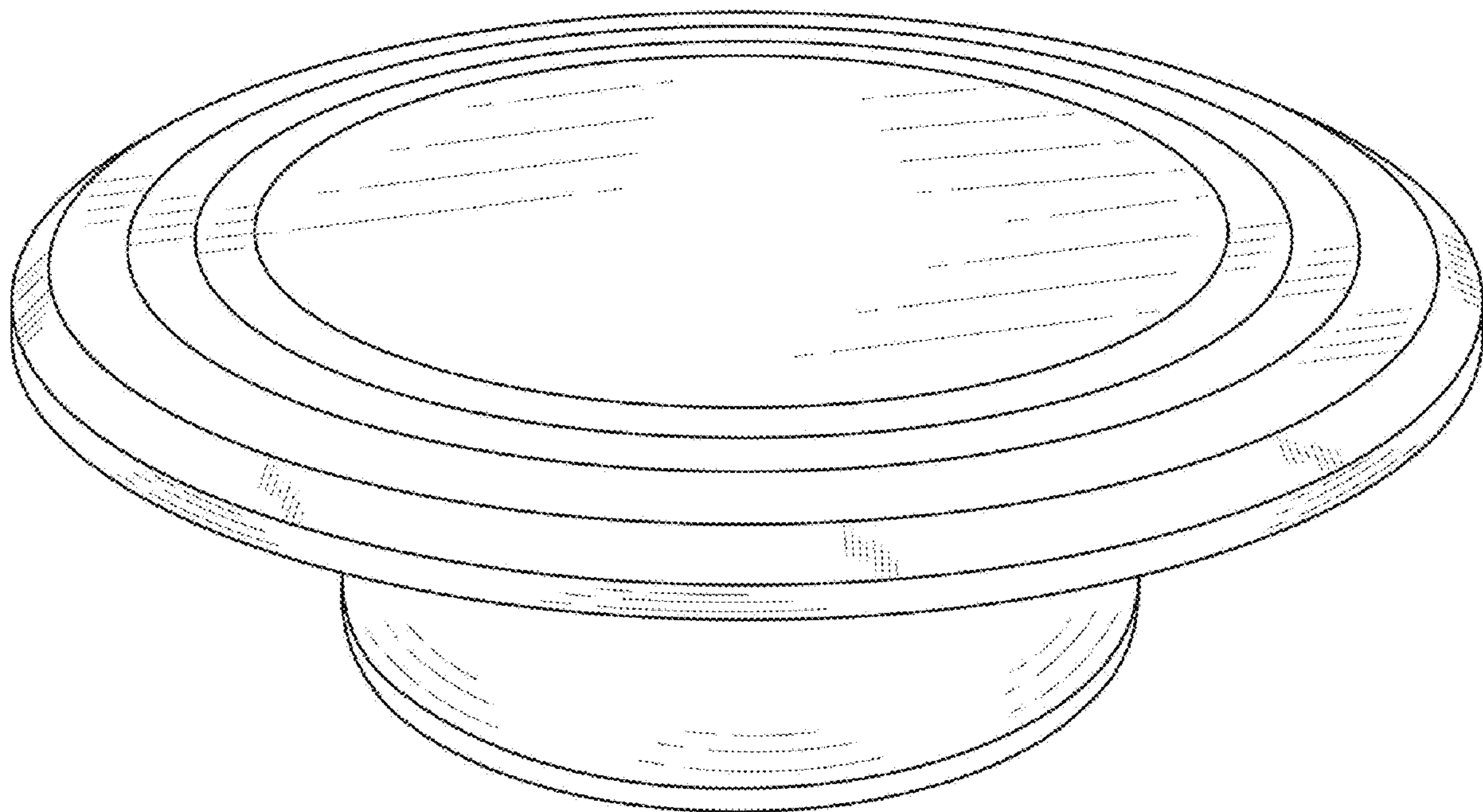
(57) **CLAIM**

The ornamental design for a rotatable display stand, as shown and described.

DESCRIPTION

FIG. 1 is a perspective view of a rotatable display stand showing my new design;
FIG. 2 is a front elevational view thereof;
FIG. 3 is a rear elevational view thereof;
FIG. 4 is a left side elevational view thereof;
FIG. 5 is a right side elevational view thereof;
FIG. 6 is a top plan view thereof; and,
FIG. 7 is a bottom plan view thereof.

1 Claim, 7 Drawing Sheets



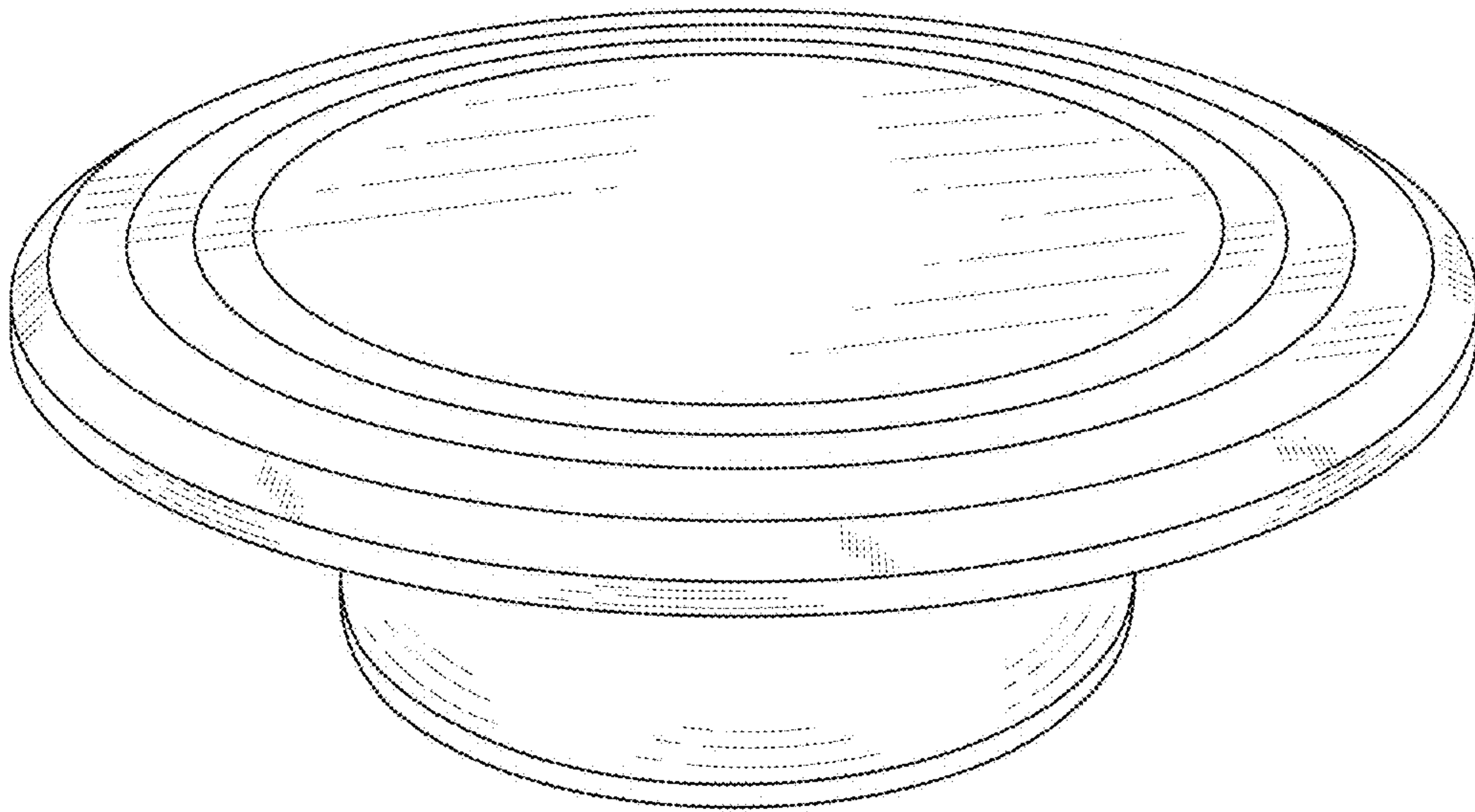


FIG. 1

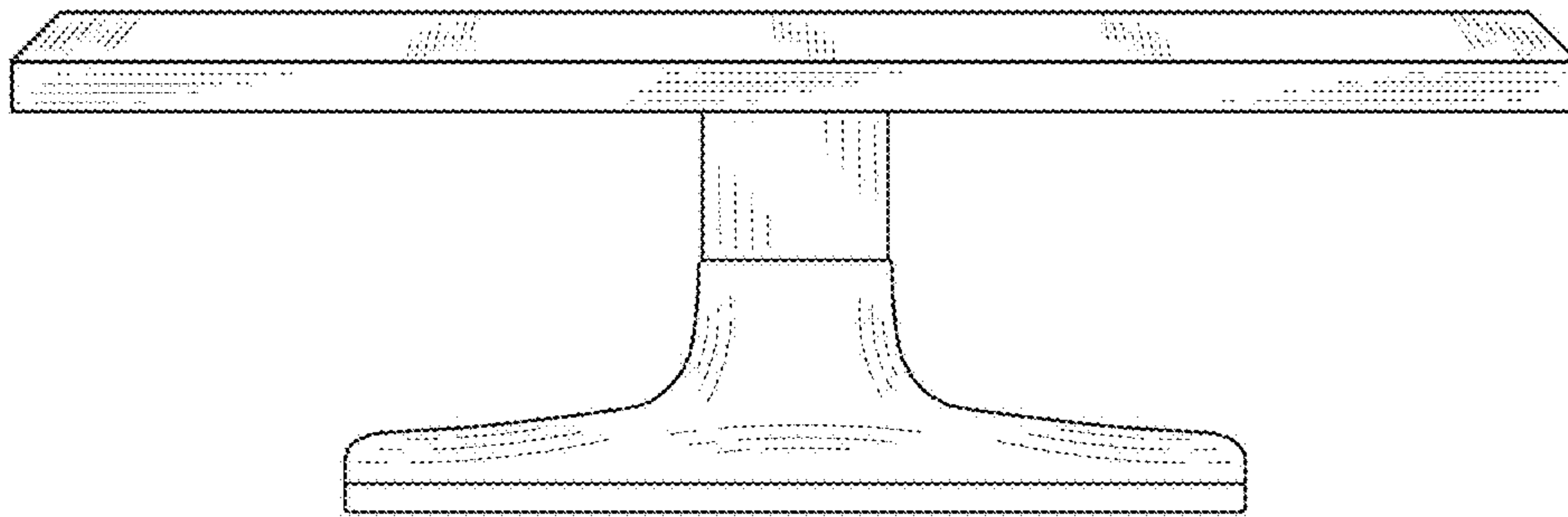


FIG. 2

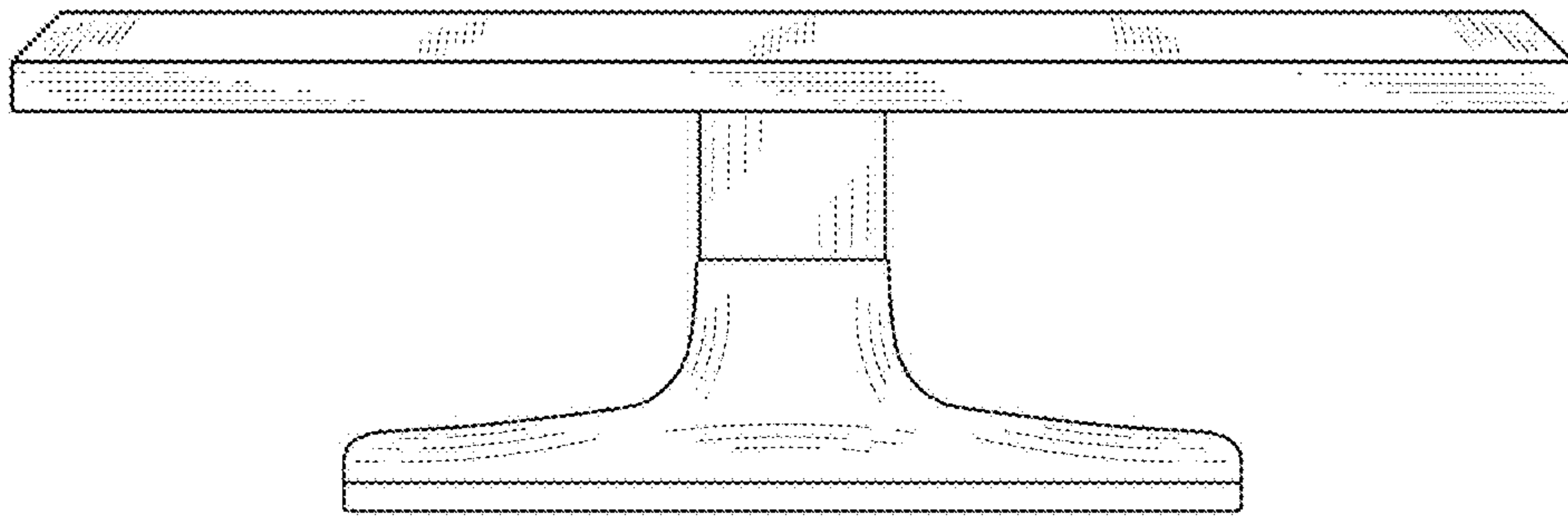


FIG. 3

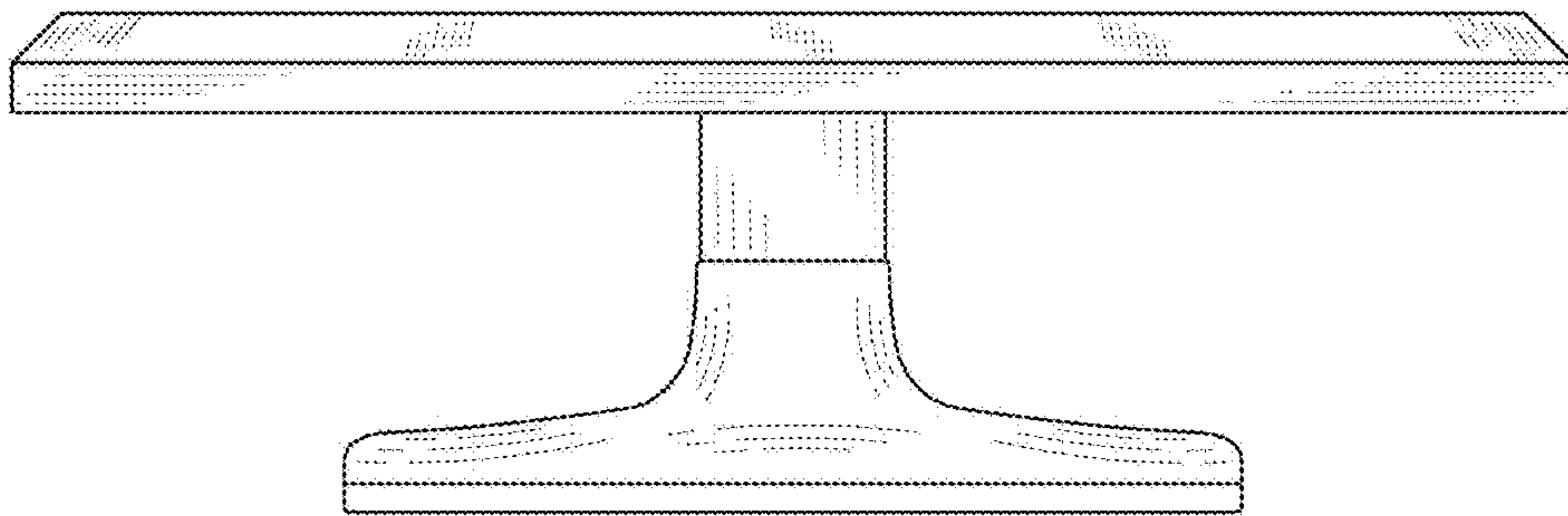


FIG. 4

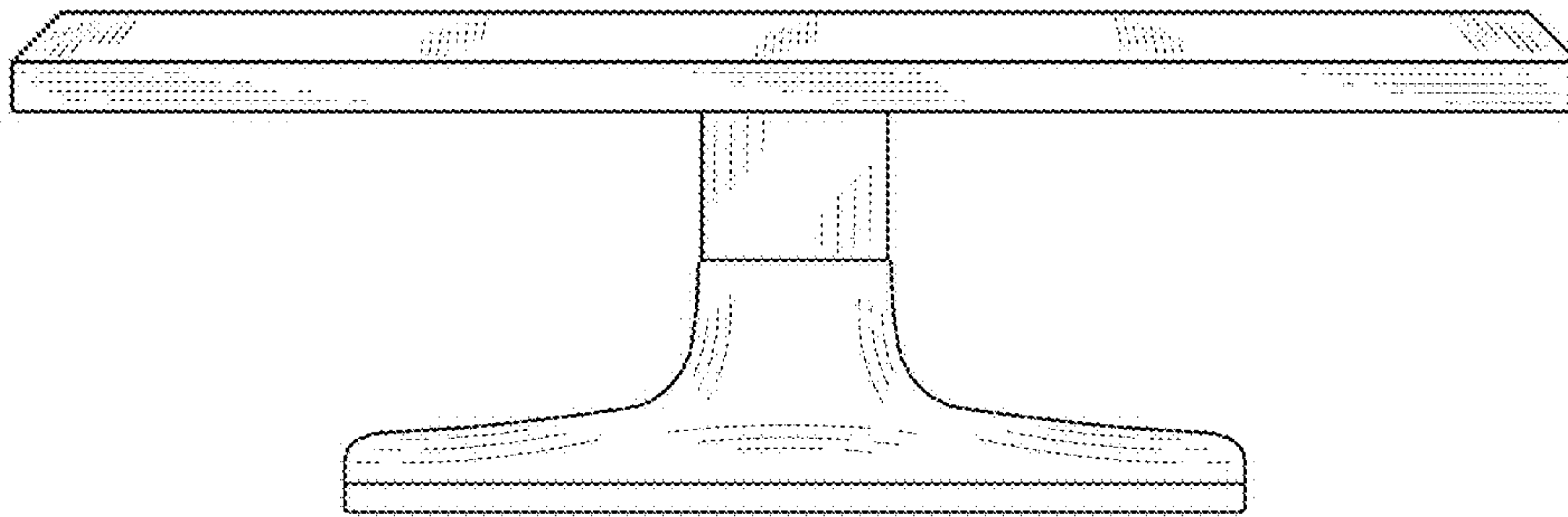


FIG. 5

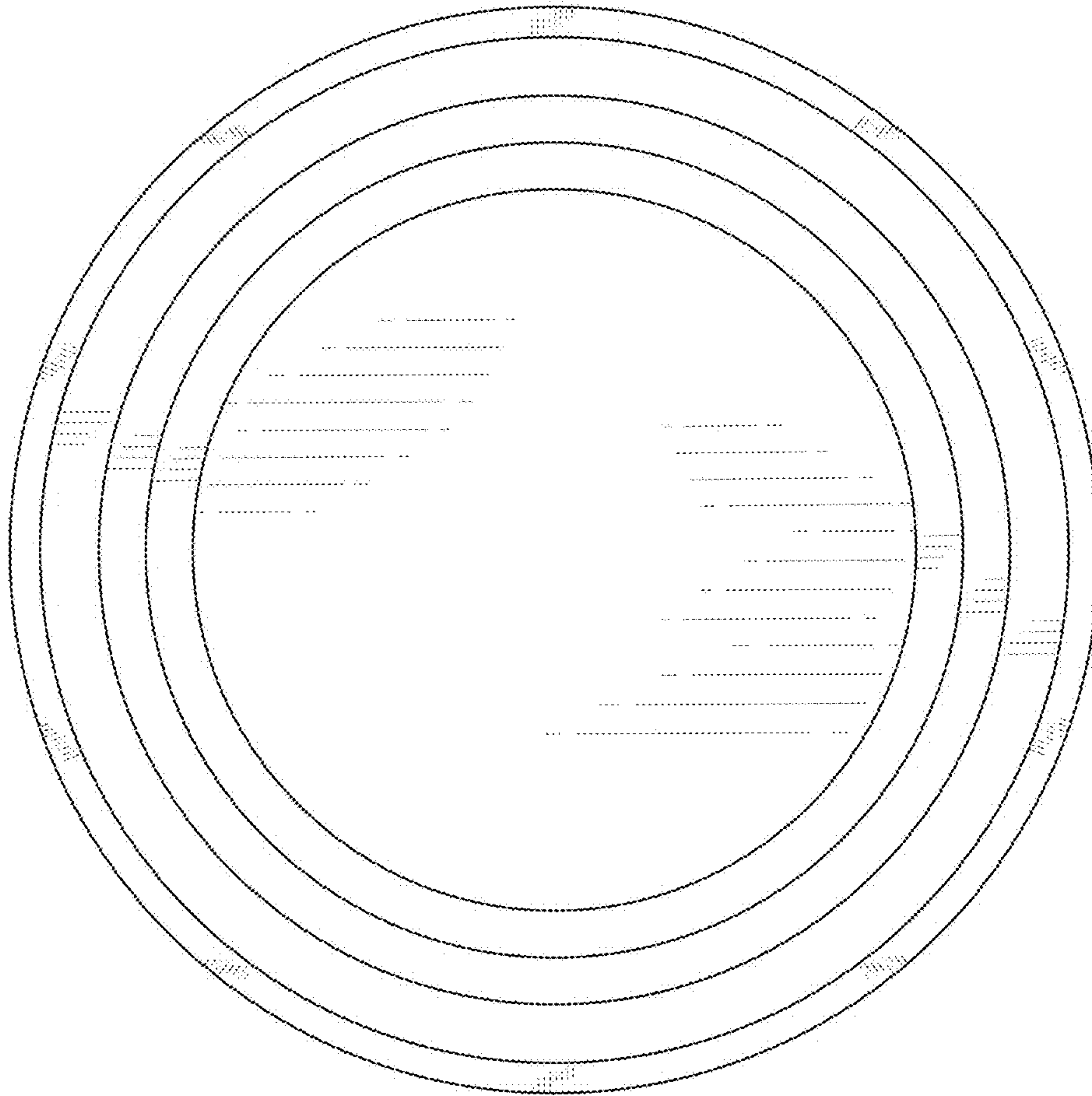


FIG. 6

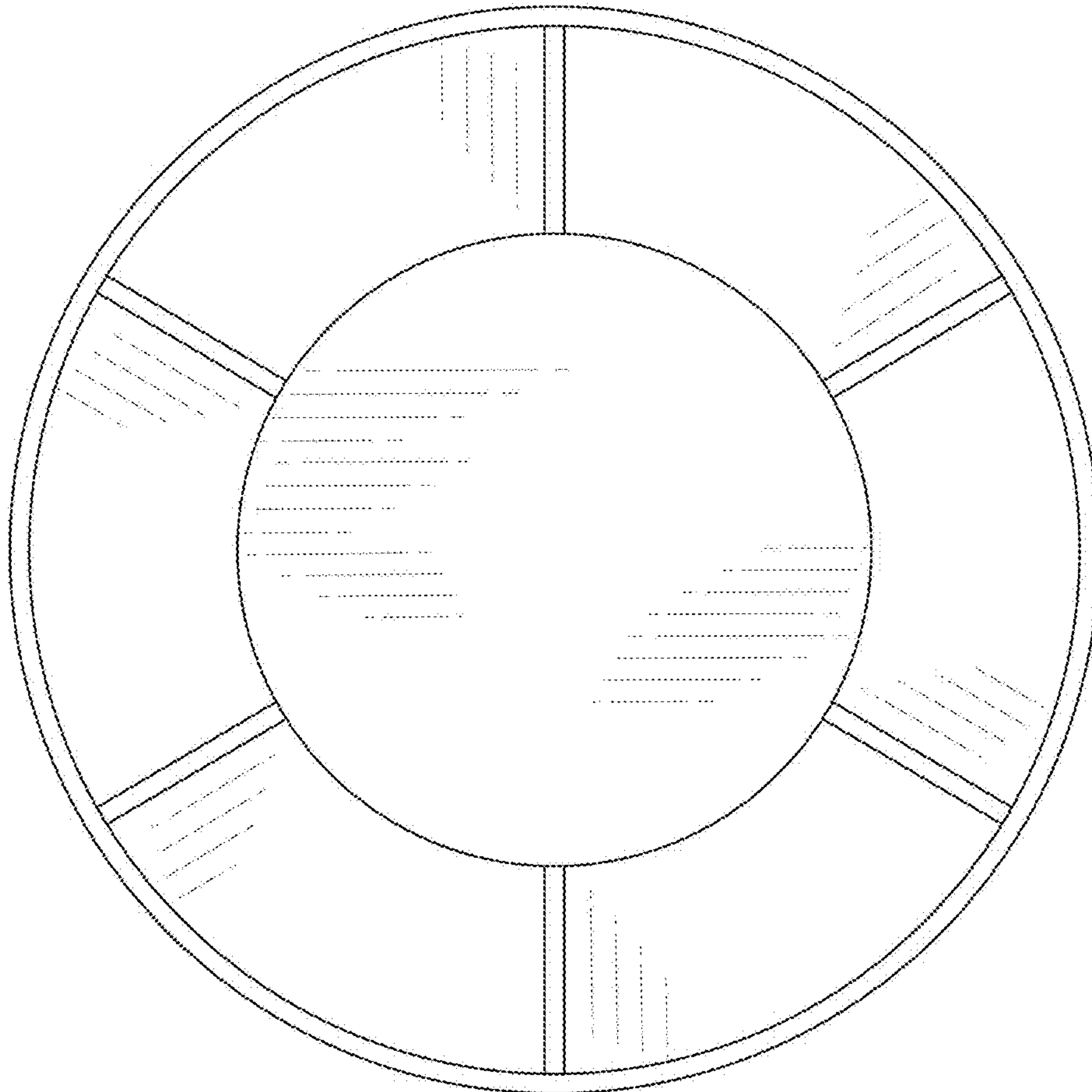


FIG. 7