



US00D898487S

(12) **United States Design Patent** (10) **Patent No.:** **US D898,487 S**  
**Wilson** (45) **Date of Patent:** **\*\* Oct. 13, 2020**

(54) **RACK**

(71) Applicant: **Spectrum Diversified Designs, LLC**,  
Streetsboro, OH (US)

(72) Inventor: **Courtney K. Wilson**, Chardon, OH  
(US)

(73) Assignee: **Spectrum Diversified Designs, LLC**,  
Streetsboro, OH (US)

(\*\*) Term: **15 Years**

(21) Appl. No.: **29/682,095**

(22) Filed: **Mar. 1, 2019**

(51) **LOC (12) Cl.** ..... **20-02**

(52) **U.S. Cl.**  
USPC ..... **D6/675.2**

(58) **Field of Classification Search**

USPC ..... D6/300, 310, 320, 329, 512, 513, 514,  
D6/515, 545, 567, 574, 641, 642, 661,  
D6/662.1, 663-691, 694, 702, 705, 705.2,  
D6/705.4, 705.5, 705.6, 705.7, 706,  
D6/708.16, 712, 719; D7/300, 301, 302,  
D7/303, 304, 305, 306, 307, 308, 309,  
D7/310, 311, 312, 313, 314, 315, 316,  
D7/317, 318, 319, 320, 321, 322, 396.1,  
D7/552.2, 600, 600.1, 600.4, 701; D8/71,  
D8/354, 363, 373, 374, 377, 381, 394;  
D3/201, 297, 304, 306  
CPC ..... A47B 11/00; A47B 9/00; A47B 51/00;  
A47B 57/00; A47B 57/08; A47B 57/10;  
A47B 57/16; A47B 57/30; A47B 45/00;  
A47B 47/00; A47B 47/021; A47B  
47/025; A47B 47/027; A47B 87/00; A47B  
87/008; A47B 87/02; A47B 87/0207;  
A47B 43/00; A47B 43/03; A47B 43/04;  
A47B 88/00; A47B 88/40; A47B 88/423;  
A47B 88/427; A47B 19/00; A47B 31/00;  
A47B 2031/002; A47B 2031/003; A47B  
2031/008; A47B 63/00; A47B 61/02;  
A47F 1/00; A47F 1/04; A47F 1/12; A47F  
3/00; A47F 3/02; A47F 3/0439; A47F  
5/00; A47F 5/00; A47F

(Continued)

(56) **References Cited**

U.S. PATENT DOCUMENTS

D326,946 S \* 6/1992 Szuster ..... D3/306  
D556,476 S \* 12/2007 Butler ..... D6/675.2

(Continued)

OTHER PUBLICATIONS

Spice Rack, www.bedbathandbeyond.ca [online]. Published on or before Jul. 31, 2020, [retrieved on Jul. 31, 2020]. Retrieved from the Internet: <URL:https://www.bedbathandbeyond.ca/store/product/spectrurnn-stainless-steel-wall-mount-spice-rack-in-satin-nickel/5447897?keyword=stainless-steel-kitchen-rack> (Year: 2020).\*

(Continued)

*Primary Examiner* — Karen E Kearney

*Assistant Examiner* — Adam C Mager

(74) *Attorney, Agent, or Firm* — Renner, Otto, Boisselle & Sklar, LLP

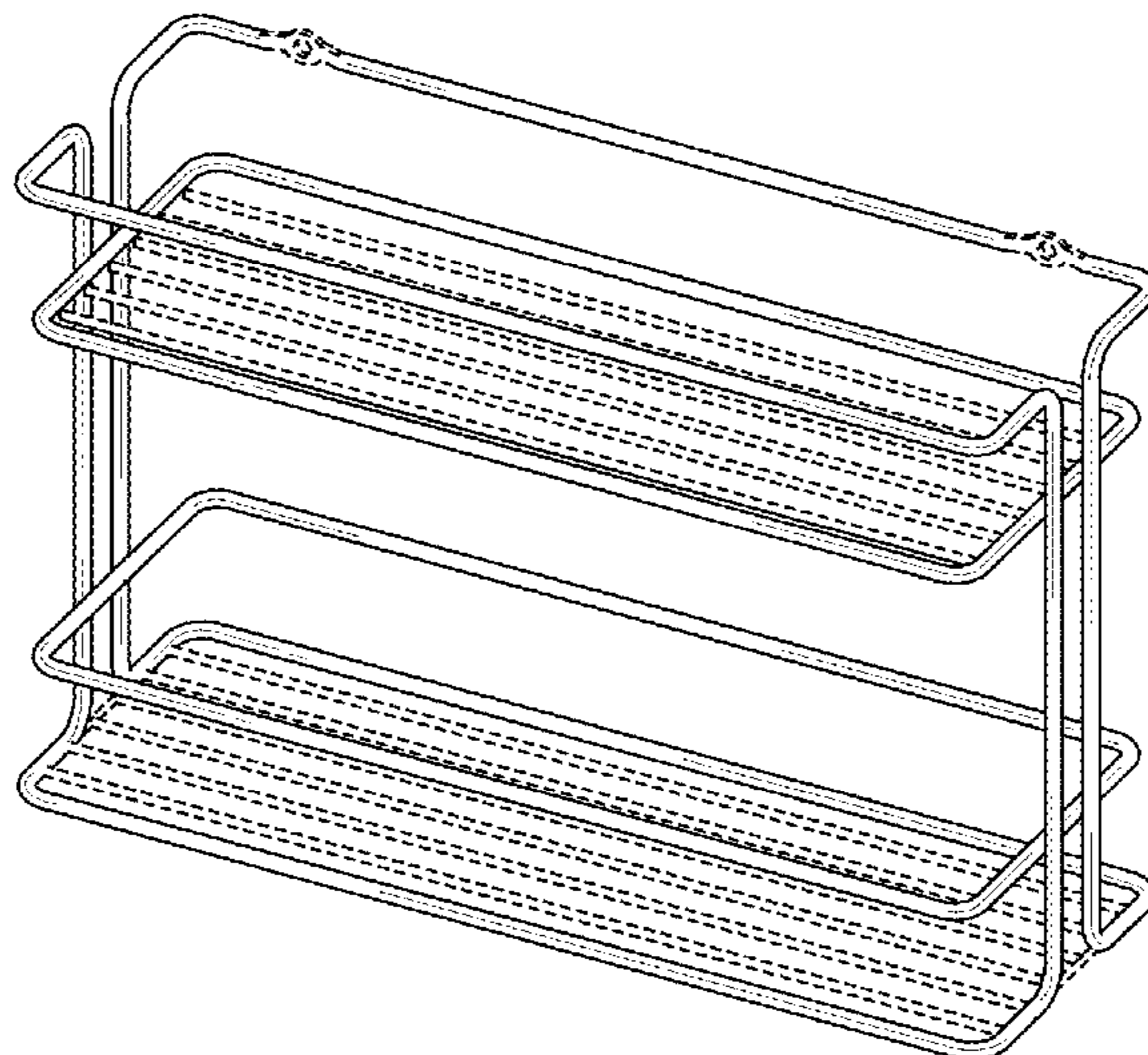
(57) **CLAIM**

The ornamental design for a rack, as shown and described.

**DESCRIPTION**

FIG. 1 is a top, right, front perspective view of a rack showing my new design;  
FIG. 2 is a front elevation view thereof;  
FIG. 3 is a rear elevation view thereof;  
FIG. 4 is a right side elevation view thereof;  
FIG. 5 is a left side elevation view thereof;  
FIG. 6 is a top plan view thereof; and,  
FIG. 7 is a bottom plan view thereof.  
The broken line showing is for the purpose of illustrating unclaimed portions of the rack and forms no part of the claimed design.

**1 Claim, 4 Drawing Sheets**



(58) **Field of Classification Search**

CPC ..... 5/0018; A47F 5/0043; A47F 10/02; F16B  
2/065

See application file for complete search history.

(56) **References Cited**

U.S. PATENT DOCUMENTS

D568,635 S	*	5/2008	Klein	.....	D6/675.2
D628,388 S	*	12/2010	Klein	.....	D3/318
D785,979 S	*	5/2017	Snider	.....	D6/675.1
D862,949 S	*	10/2019	Ghiorghie	.....	D6/675.2
D876,169 S	*	2/2020	Klein	.....	D7/600.4

OTHER PUBLICATIONS

Euro Wall Mount 2-Tier Spice Rack—Spectrum Diversified, [www.spectrumdiversified.com](http://www.spectrumdiversified.com) [online]. Published on or before Jul. 31, 2020, [retrieved on Jul. 31, 2020]. Retrieved from the Internet: <URL:<https://www.spectrumdiversified.com/products/euro-wall-mount-2-tier-spice-rack>> (Year: 2020).\*

Euro Wall Mount 3-Tier Spice Rack, [online], [retrieved on Mar. 1, 2019]. Retrieved from Internet, <URL: <https://www.spectrumdiversified.com/products/euro-wall-mount-3-tier-spice-rack>>.

\* cited by examiner

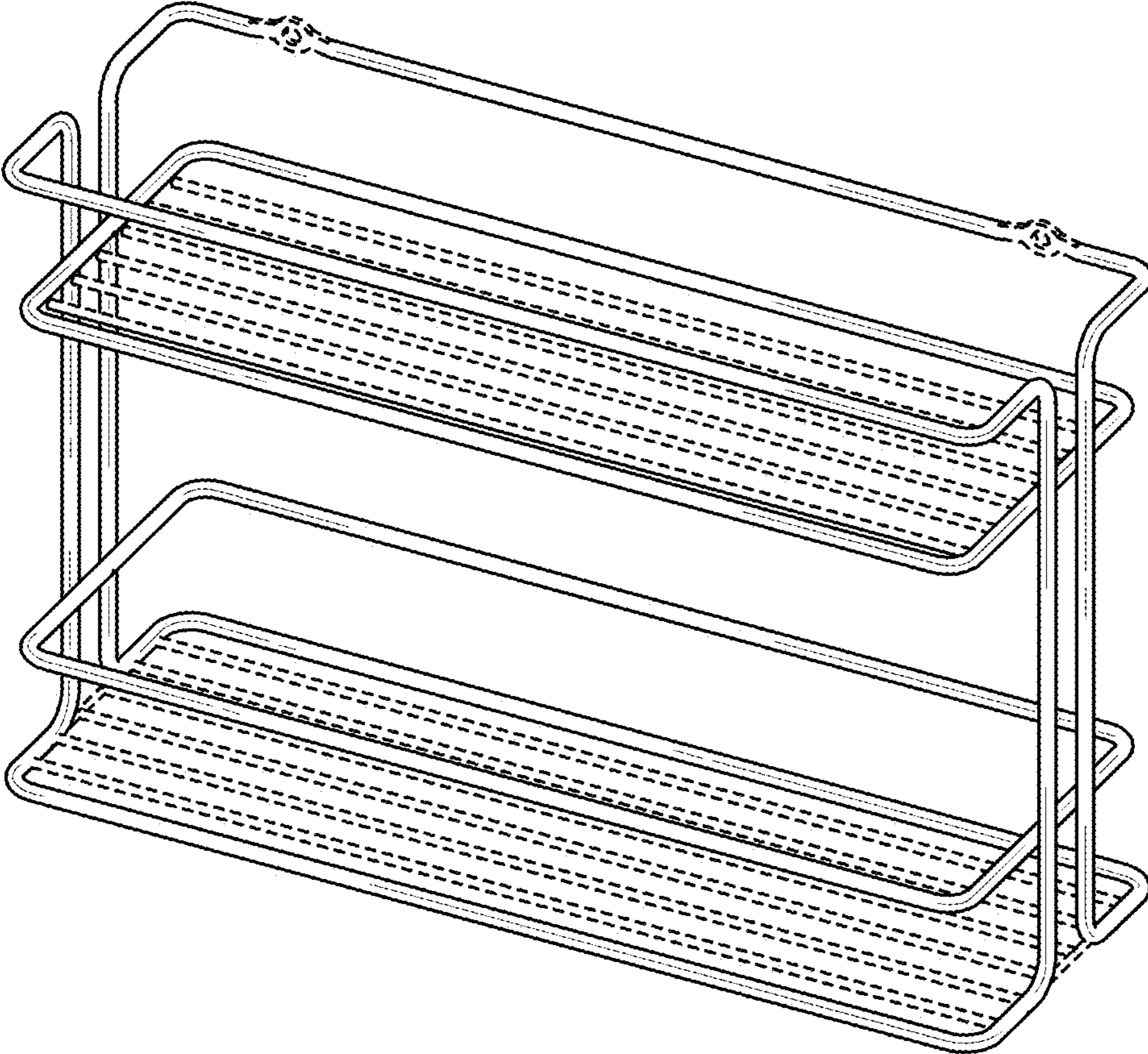


FIG. 1

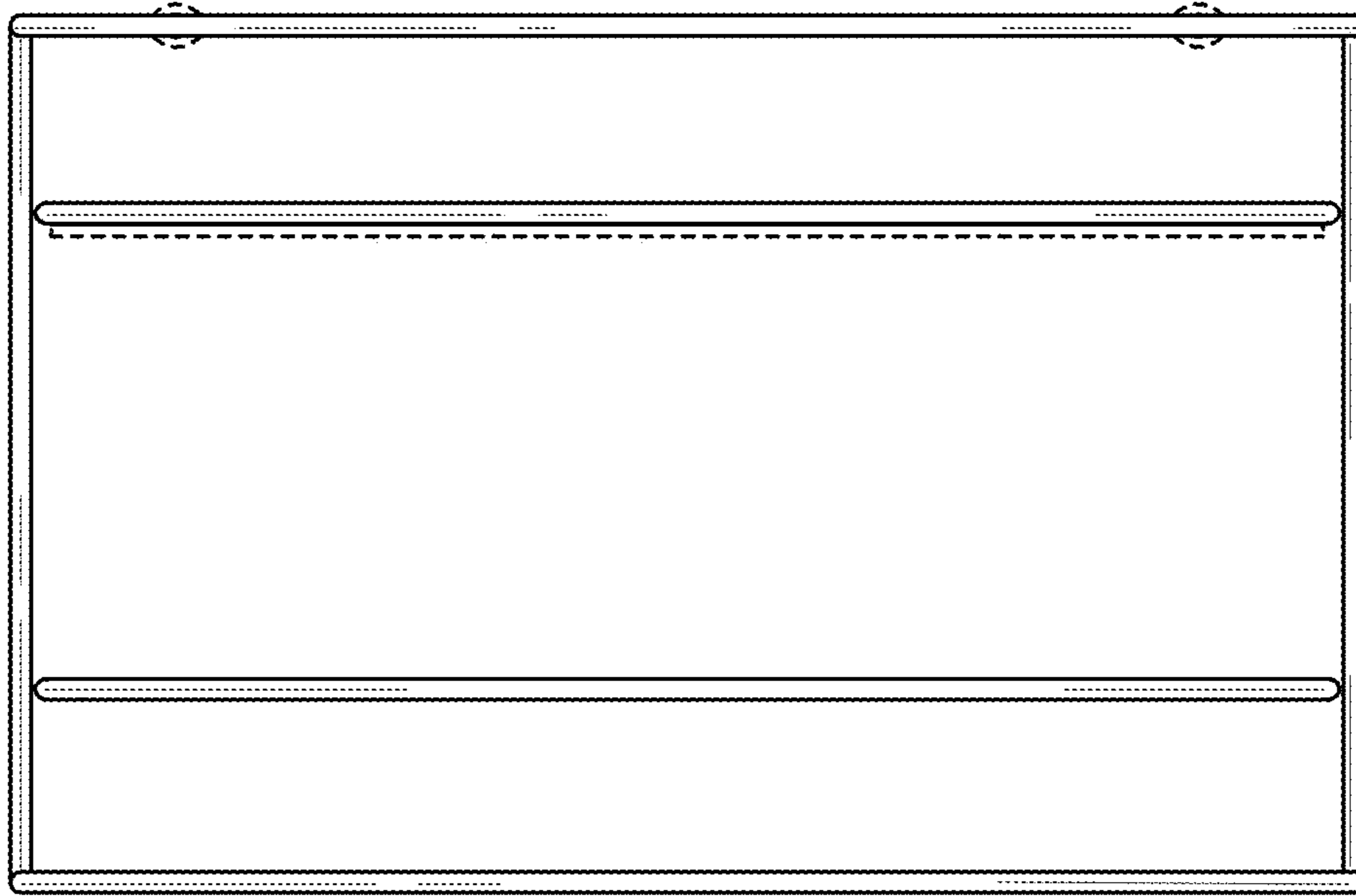


FIG. 2

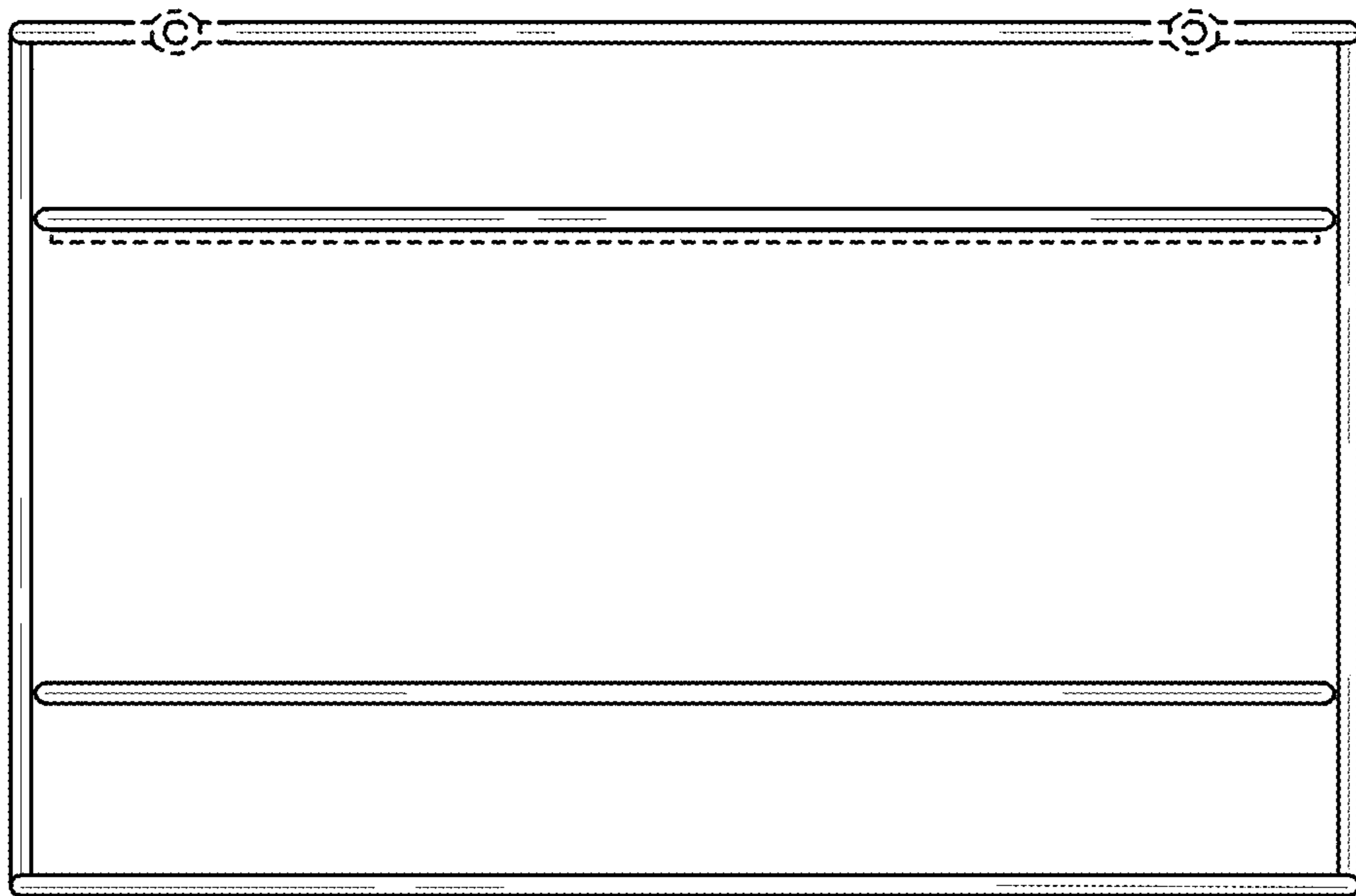


FIG. 3



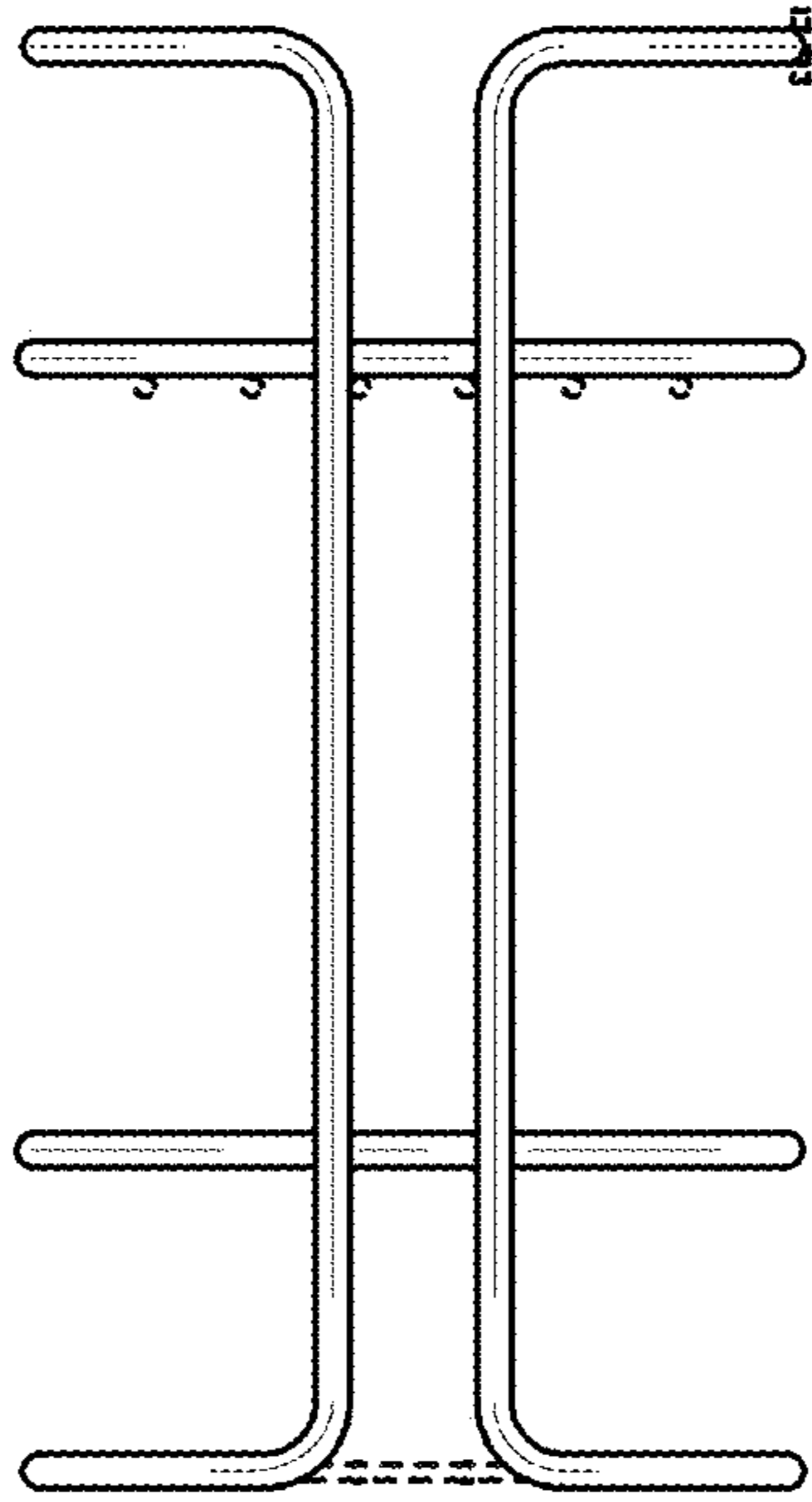


FIG. 4

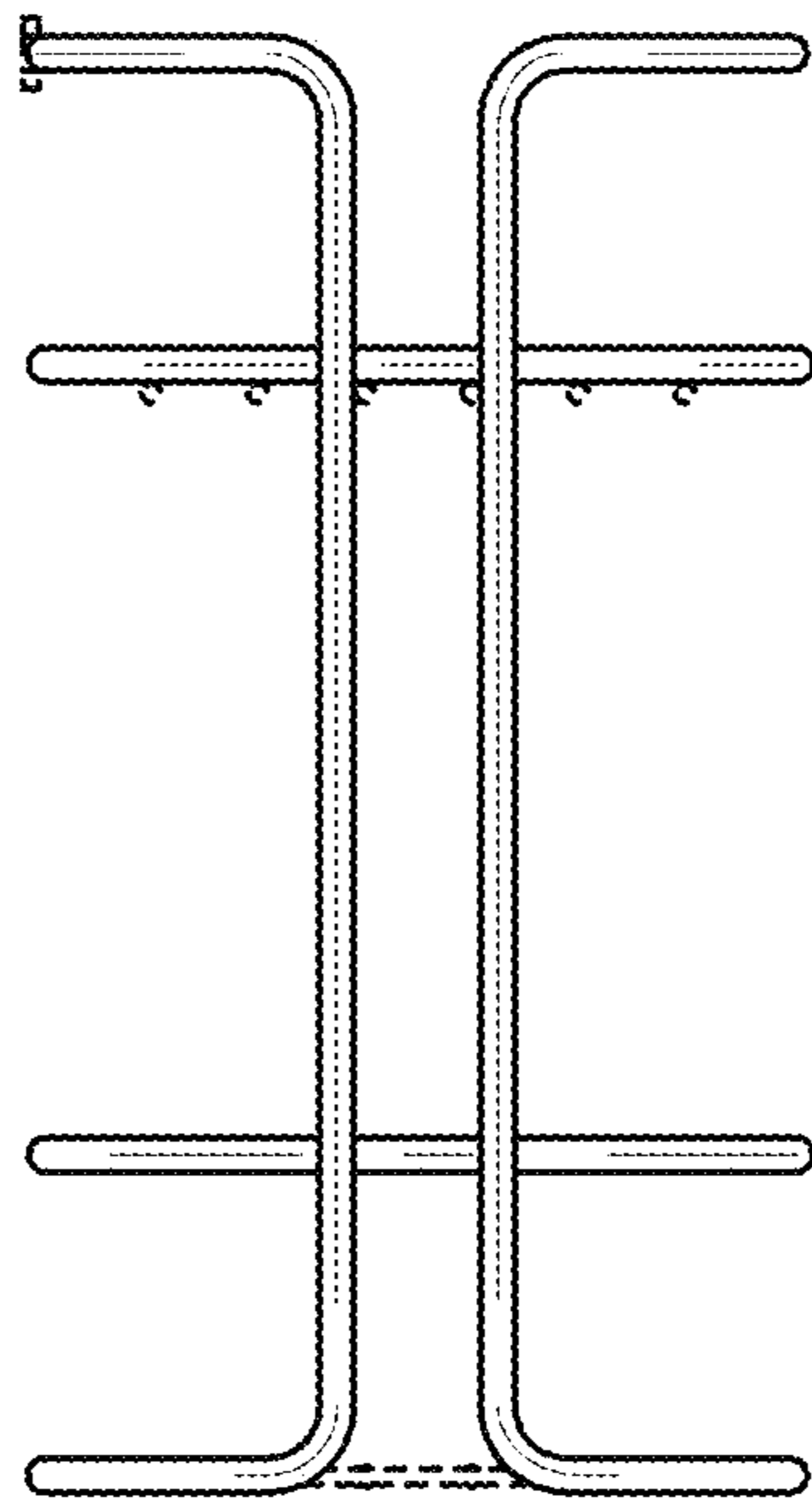


FIG. 5

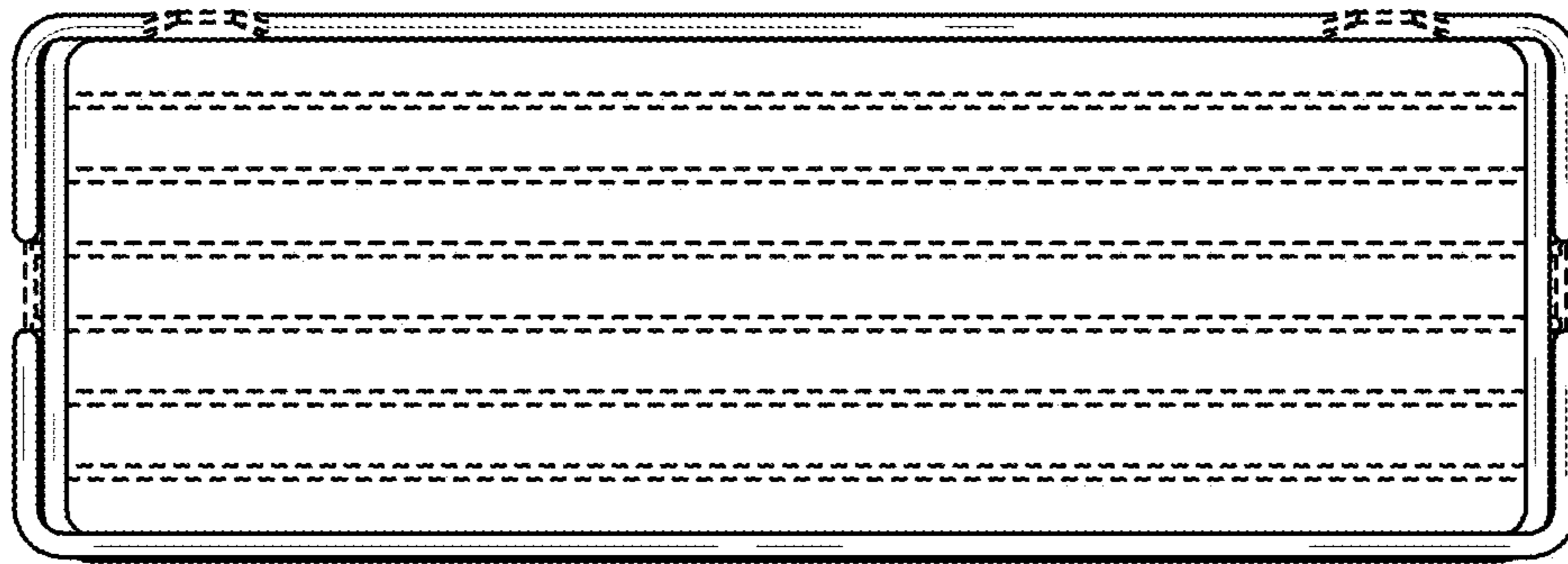


FIG. 6

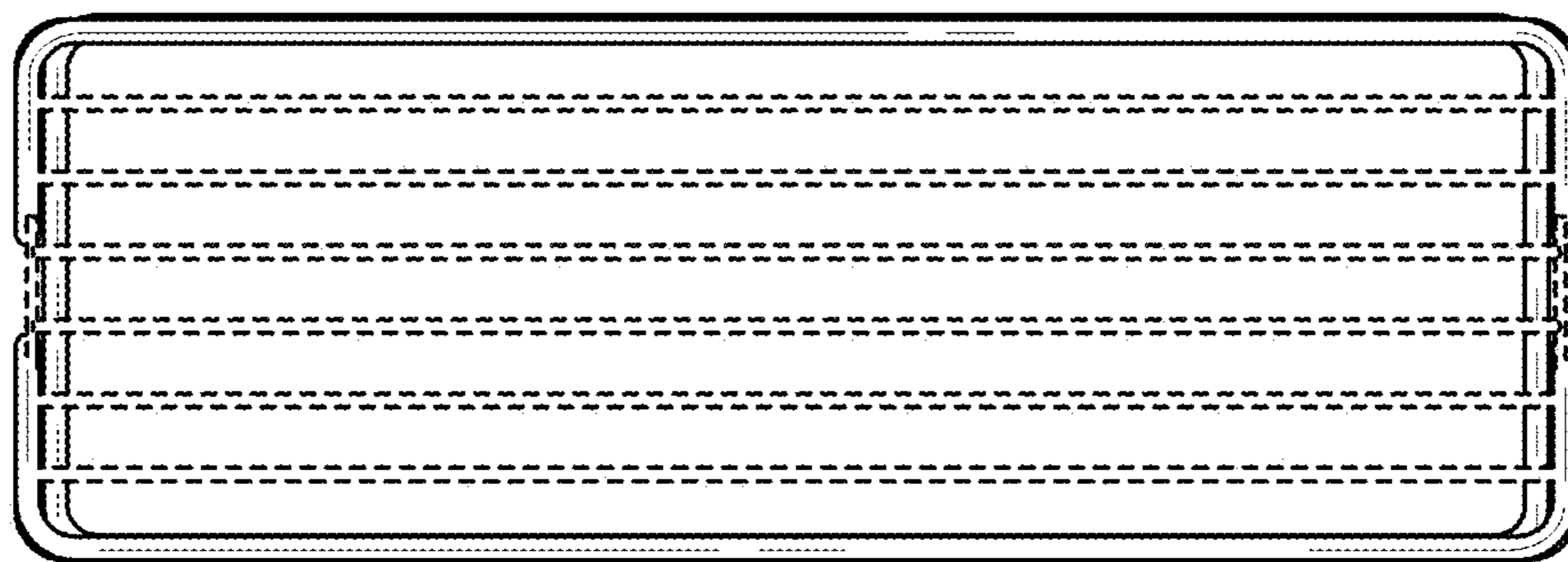


FIG. 7