



US00D898482S

(12) **United States Design Patent** (10) **Patent No.:** **US D898,482 S**
Stump (45) **Date of Patent:** **** Oct. 13, 2020**

(54) **FABRIC CHAIR COVER**
(71) Applicant: **Juicy B, LLC**, Santa Barbara, CA (US)
(72) Inventor: **John Stump**, Santa Barbara, CA (US)
(73) Assignee: **Juicy B, LLC**, Santa Barbara
(**) Term: **15 Years**

(21) Appl. No.: **29/694,203**
(22) Filed: **Jun. 7, 2019**
(51) **LOC (12) Cl.** **06-13**
(52) **U.S. Cl.**
USPC **D6/611**
(58) **Field of Classification Search**
USPC D6/334, 349, 369, 374-376, 379-382,
D6/711, 708.16, 716.1, 611
CPC A47C 3/04; A47C 3/12; A47C 5/04; A47C
5/12; A47C 5/14; A47C 7/02; A47C 7/16;
A47C 7/18; A47C 7/24; A47C 11/00;
A47C 15/002; A47C 17/02
See application file for complete search history.

(56) **References Cited**
U.S. PATENT DOCUMENTS
2,733,755 A * 2/1956 Boucher A47C 3/12
297/411.41
D188,490 S * 8/1960 Lo Vico D6/375
D230,923 S * 3/1974 Piretti D6/375
D400,044 S * 10/1998 Rosenberg D6/611
D475,858 S * 6/2003 Stroud D6/358
D533,369 S * 12/2006 Andersson D6/368
D573,806 S * 7/2008 Pillet D6/375
D654,733 S * 2/2012 Burke D6/716

D755,549 S * 5/2016 Akkad D6/368
D763,586 S * 8/2016 Arruda D6/348
D796,857 S * 9/2017 Goddard D6/356
D820,019 S * 6/2018 Velez D6/716
D833,768 S * 11/2018 Jin D6/368
D834,866 S * 12/2018 Wu D6/716
D871,799 S * 1/2020 Li D6/611
2010/0164256 A1 * 7/2010 Salisbury A47C 7/744
297/16.2

* cited by examiner

Primary Examiner — R. Johnson
(74) Attorney, Agent, or Firm — SoCal IP Law Group
LLP; Guy Cumberbatch; Mark Goldstein

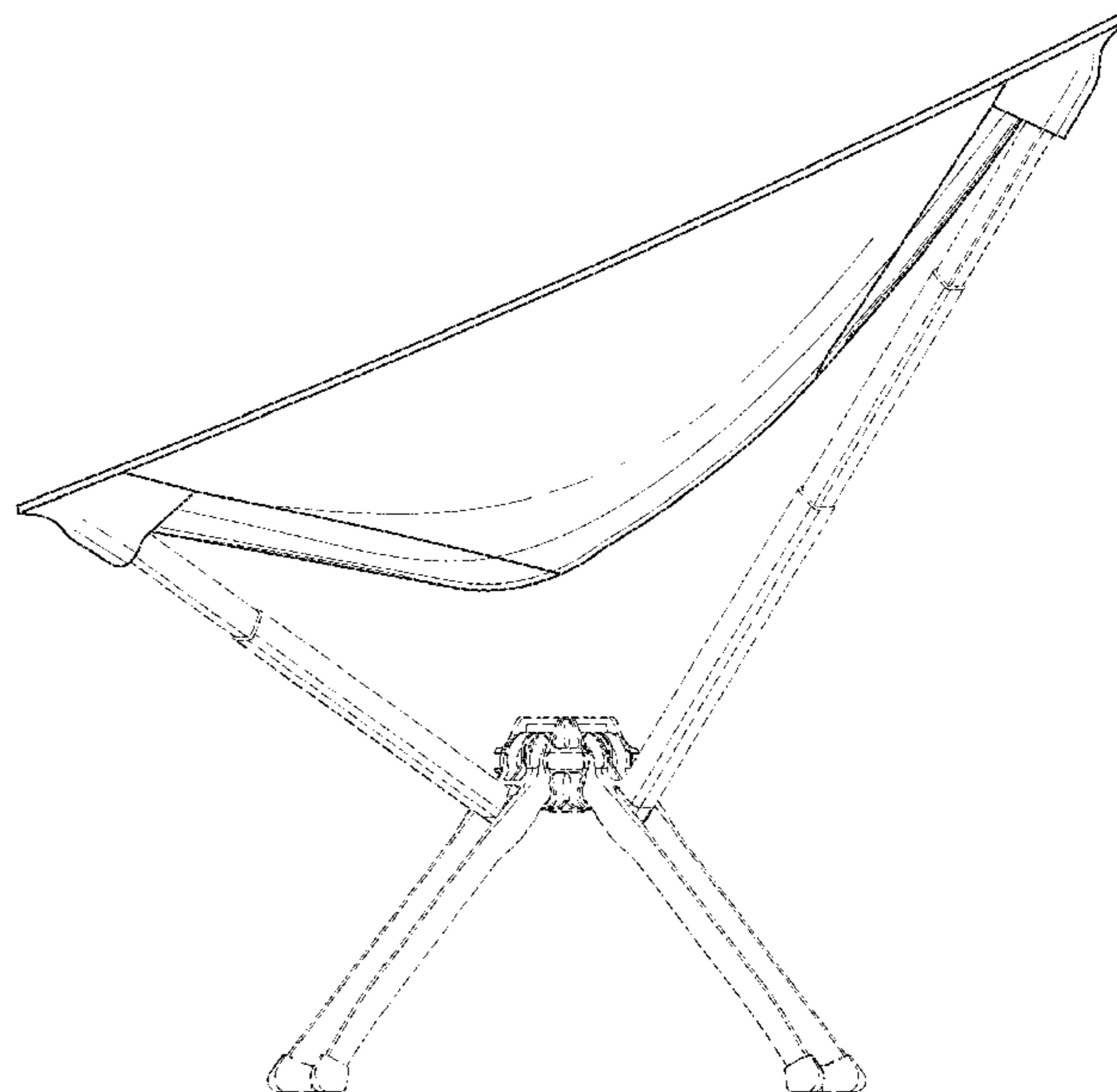
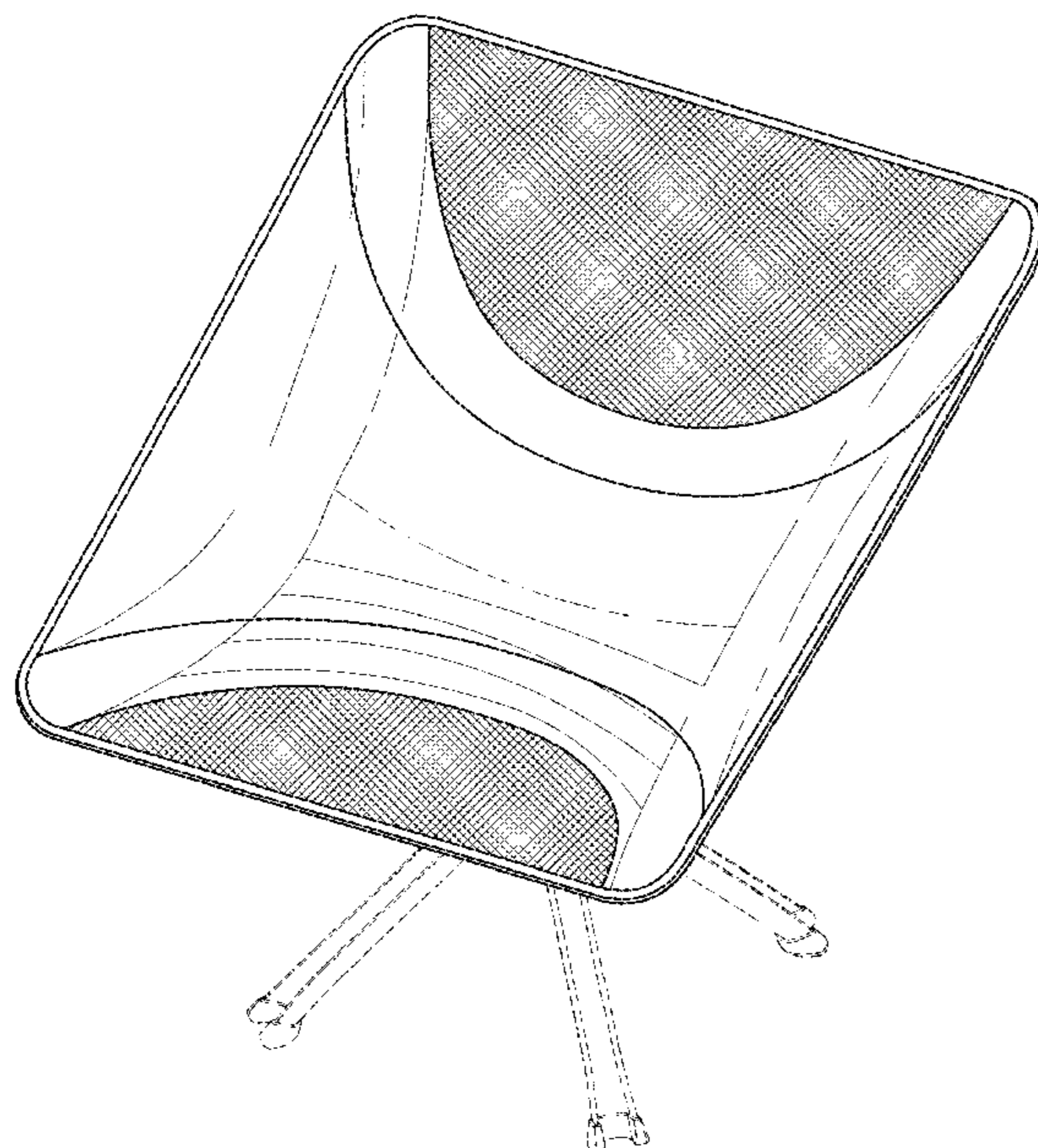
(57) **CLAIM**

The ornamental design for a fabric chair cover, as shown and described.

DESCRIPTION

FIG. 1 is a top perspective view of a fabric chair cover showing my new design; the fabric chair cover shown as used with a collapsible chair base;
FIG. 2 is a left side elevational view thereof;
FIG. 3 is a right side elevational view thereof;
FIG. 4 is a front elevational view thereof;
FIG. 5 is a rear elevational view thereof;
FIG. 6 is a top plan view thereof;
FIG. 7 is a bottom plan view thereof;
FIG. 8 is a bottom perspective view thereof;
FIG. 9 is a top plan view of the fabric chair cover; and,
FIG. 10 is a bottom plan view thereof.
The broken lines illustrate a collapsible chair base to which the fabric chair cover is attached and form no part of the claimed design.

1 Claim, 10 Drawing Sheets



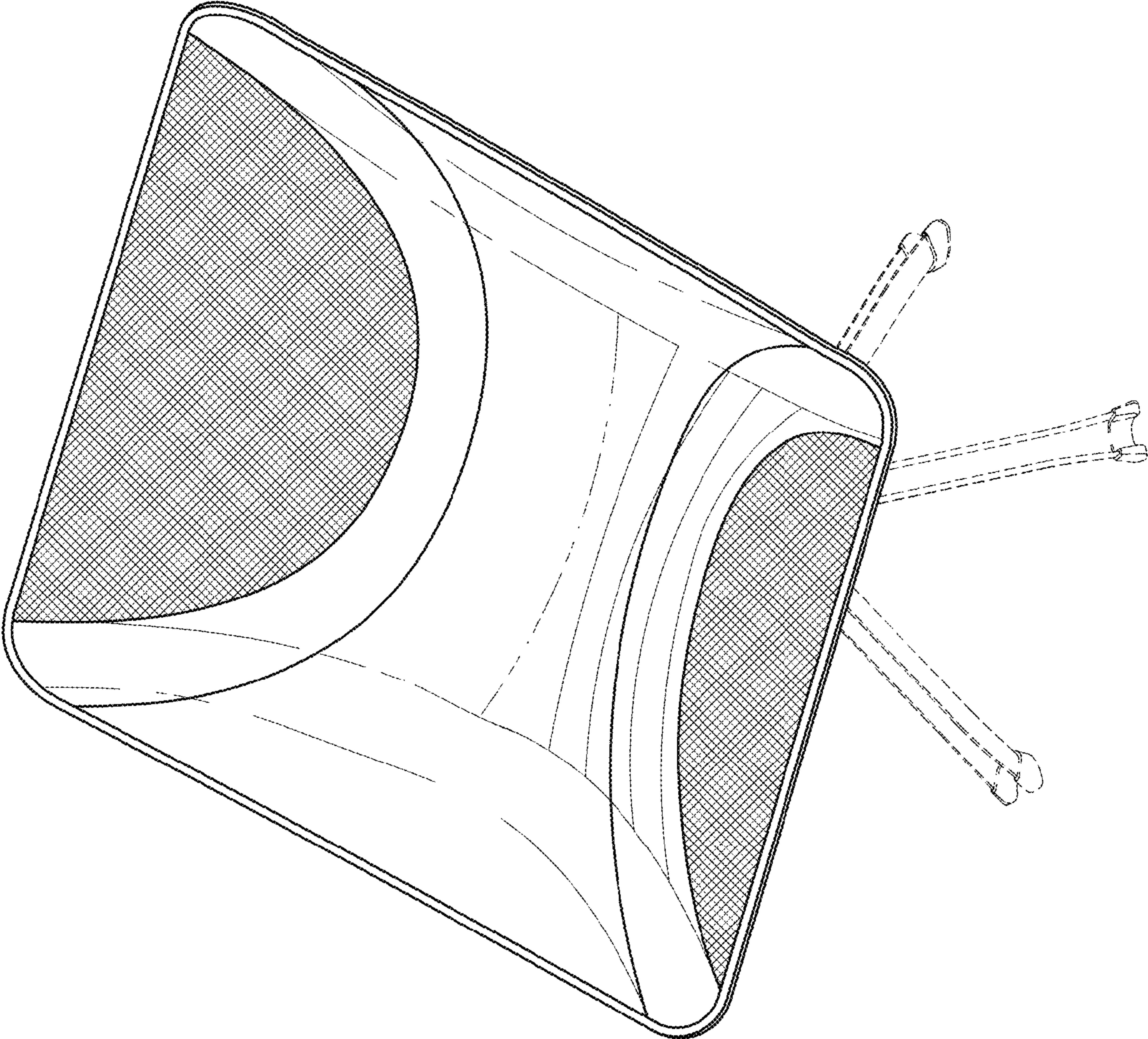


FIG. 1

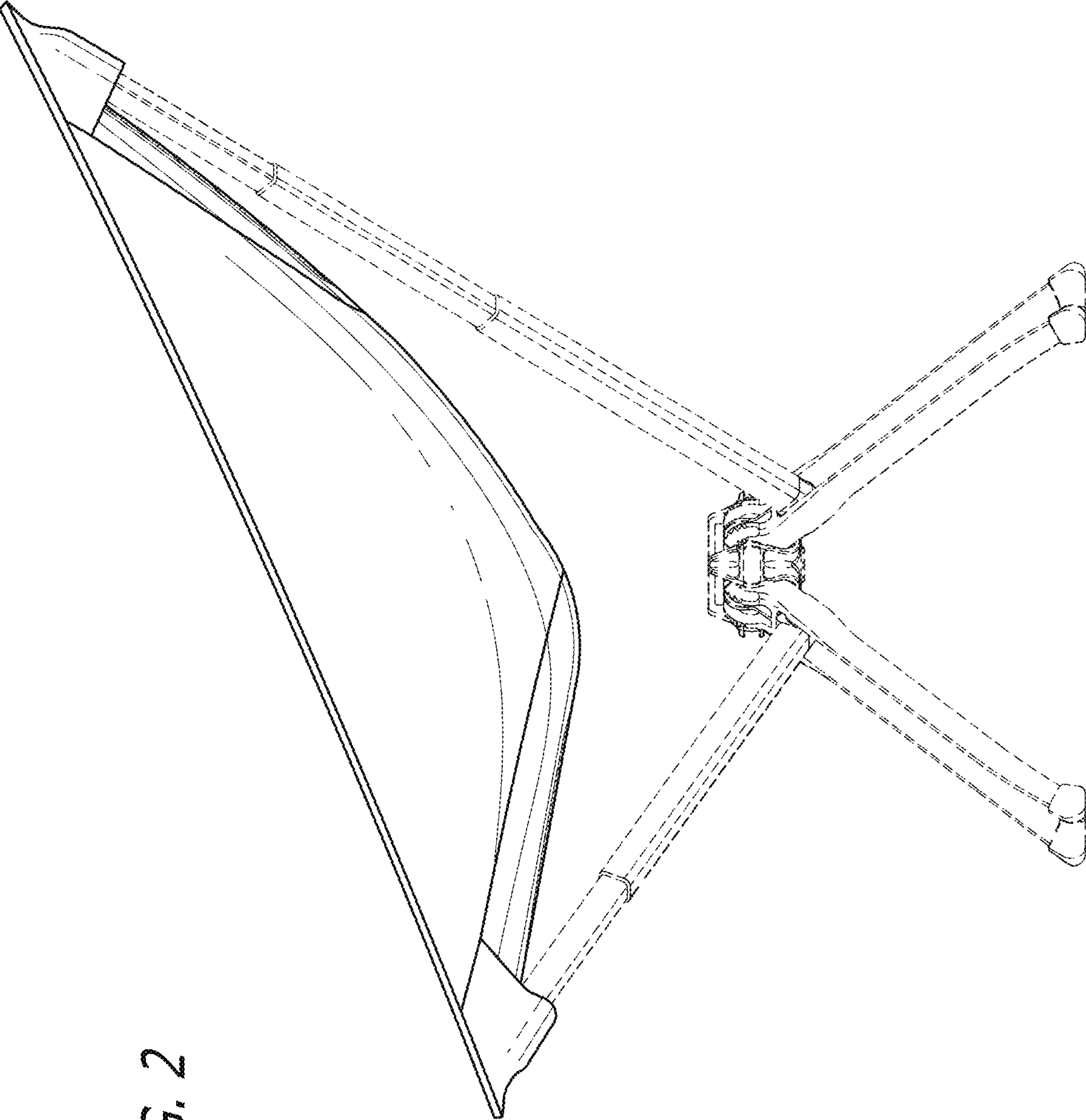
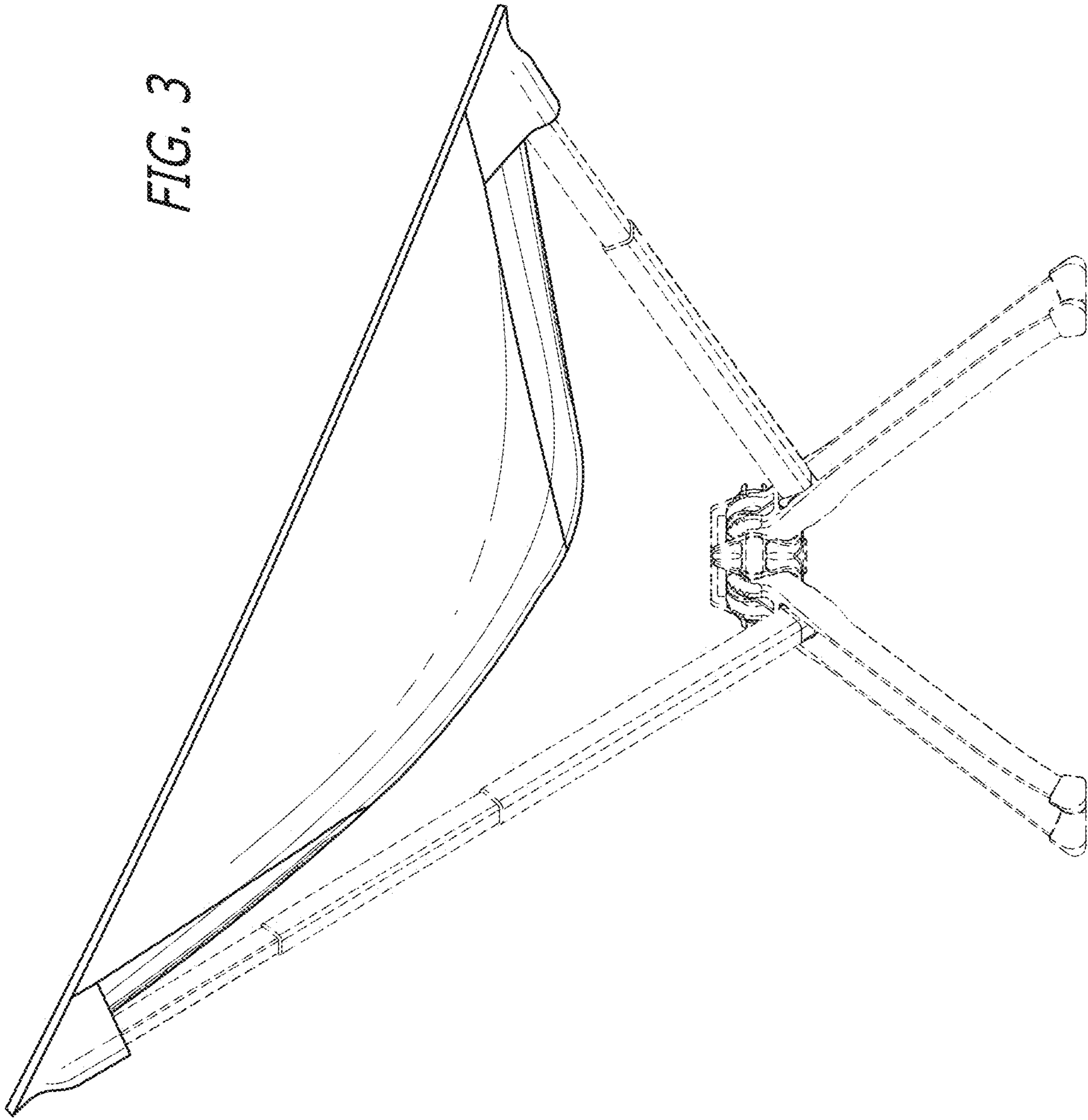


FIG. 2

FIG. 3



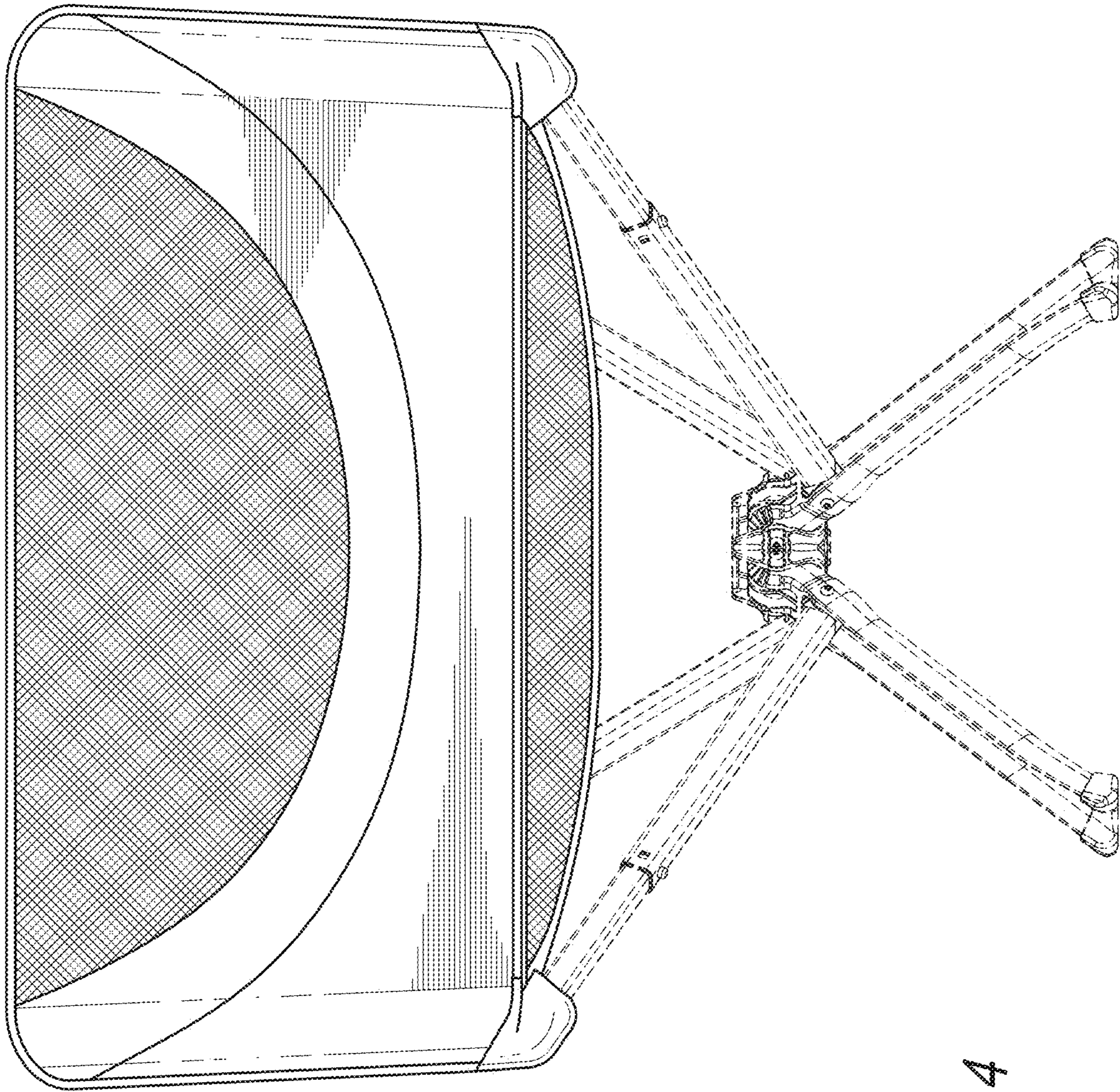


FIG. 4

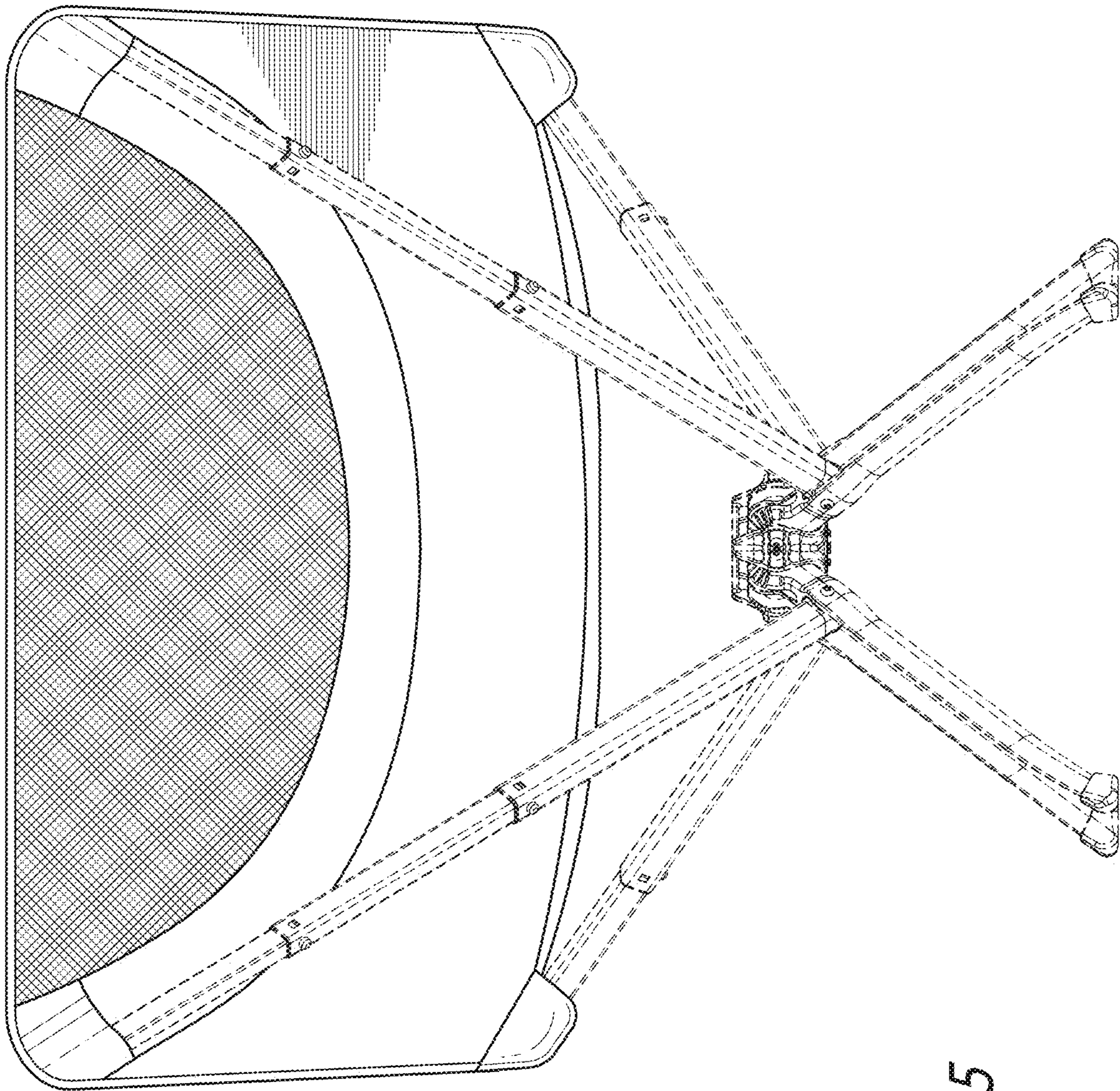


FIG. 5

FIG. 6

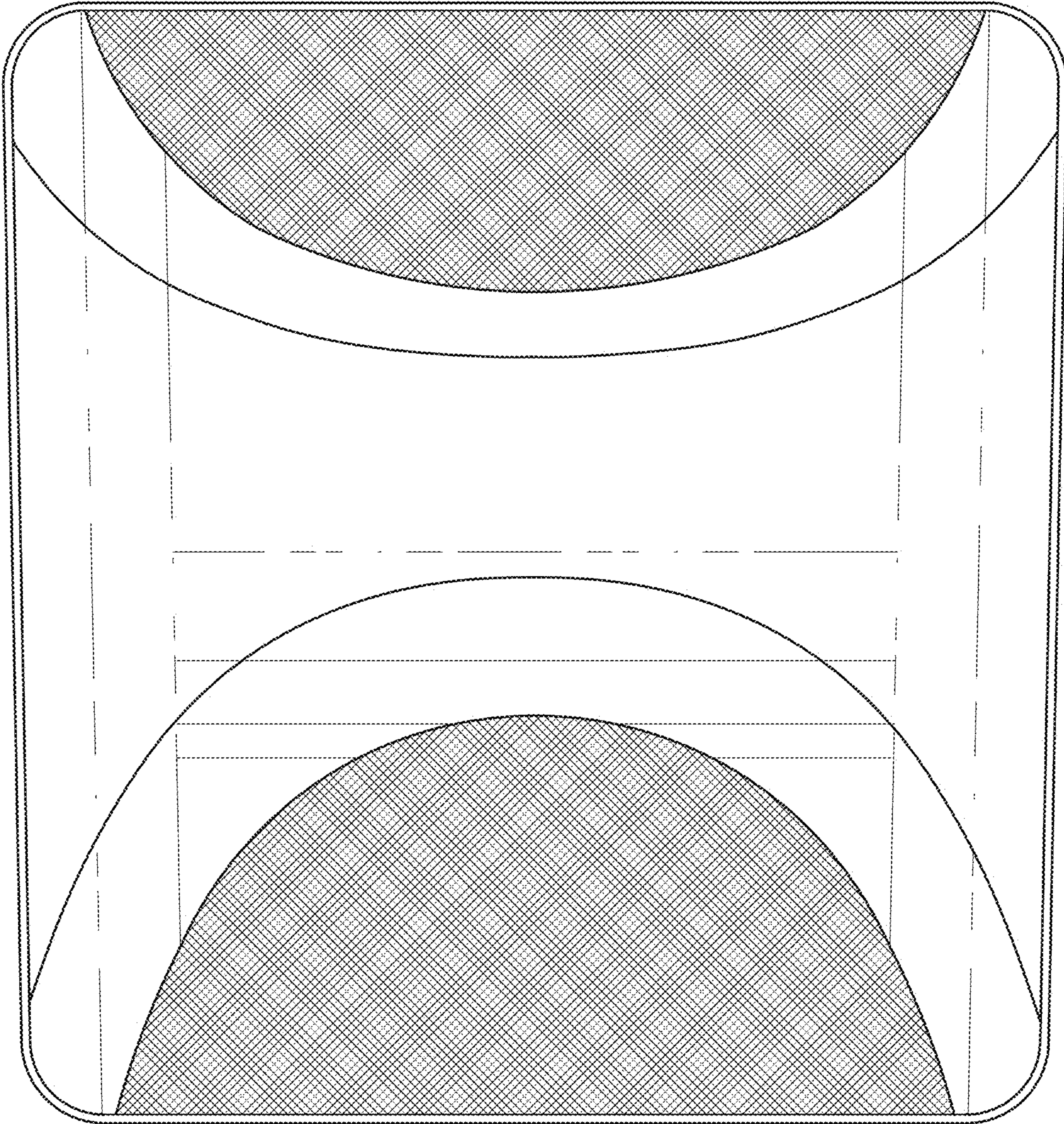
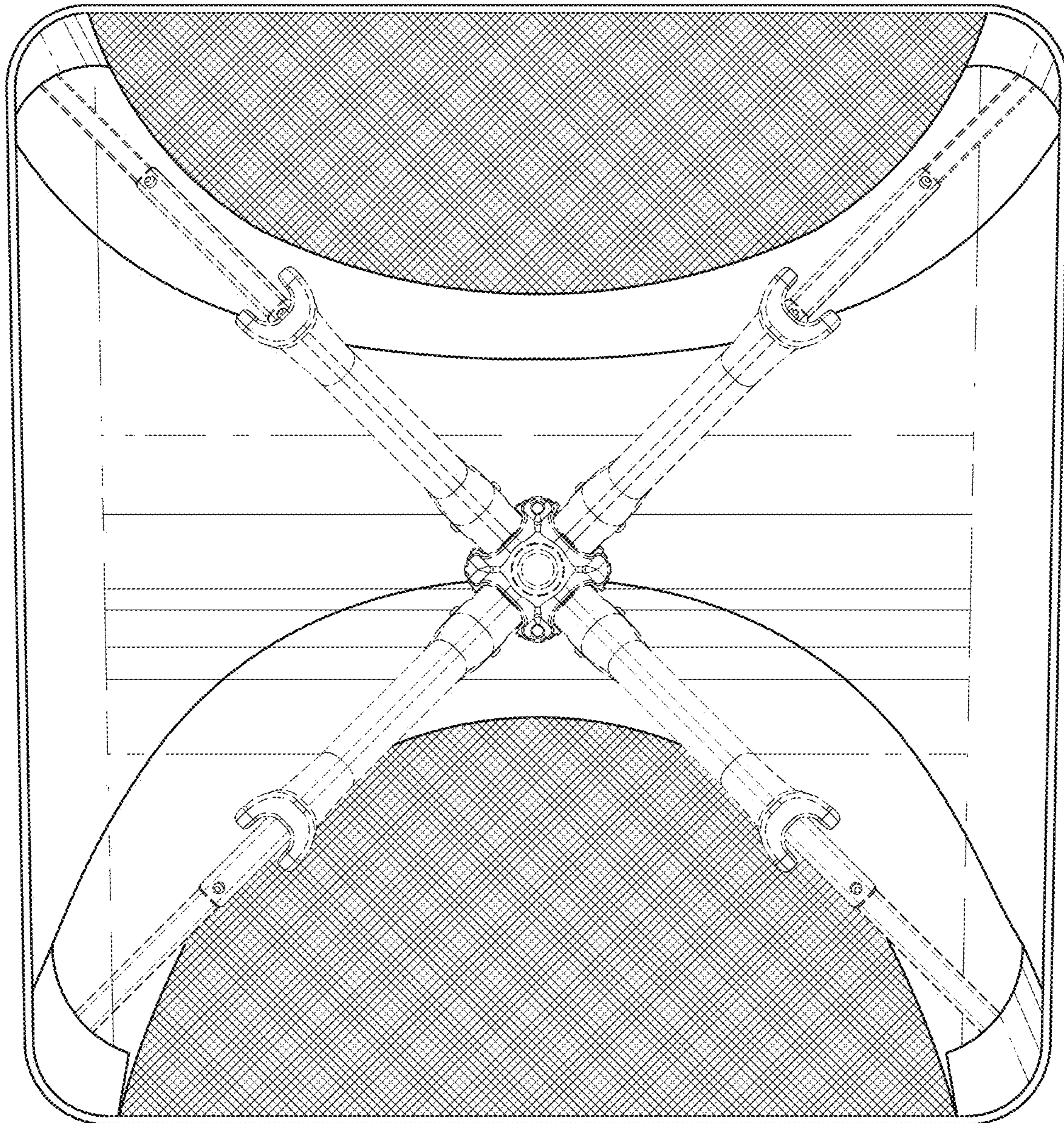


FIG. 7



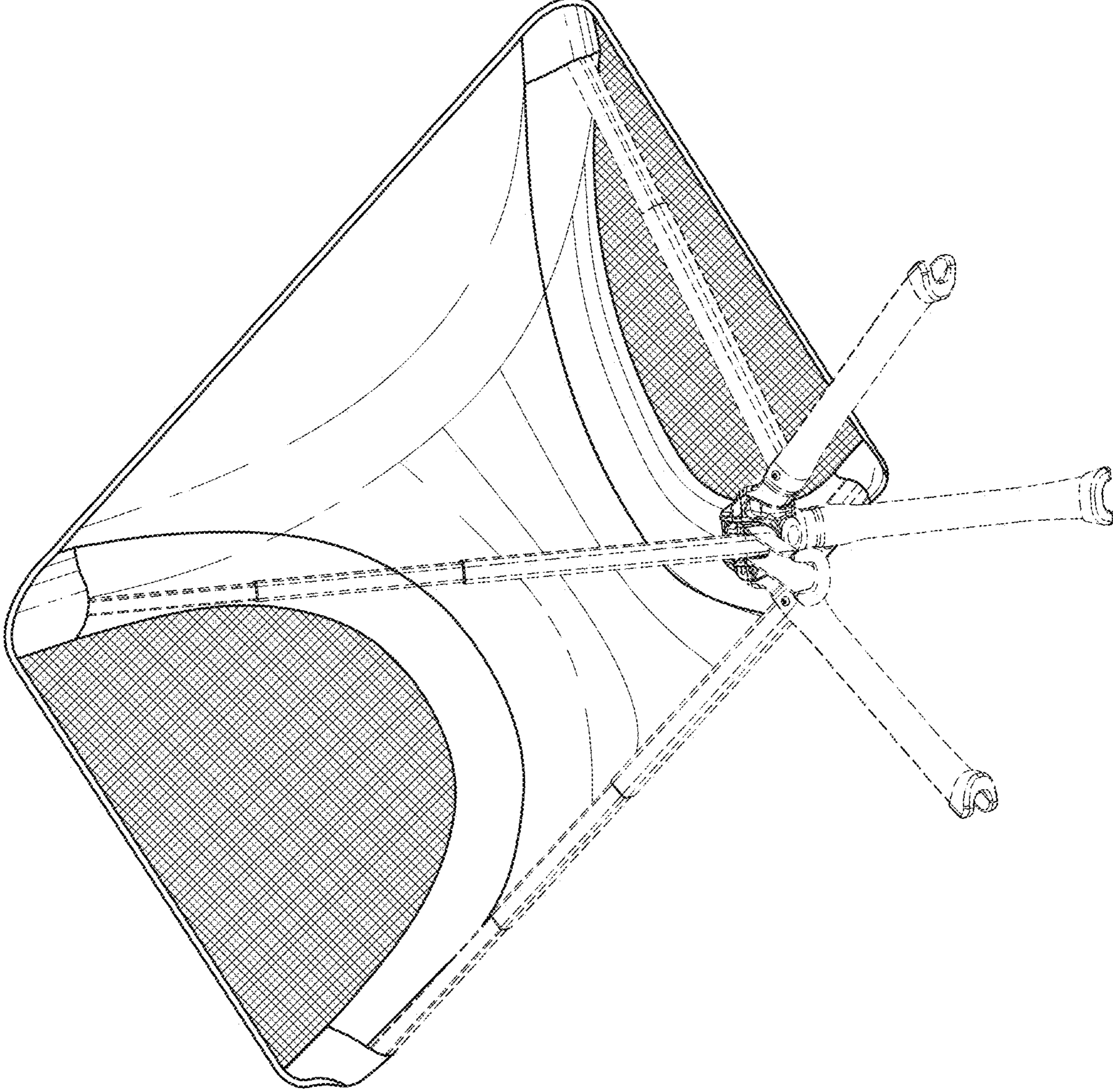


FIG. 8

FIG. 9

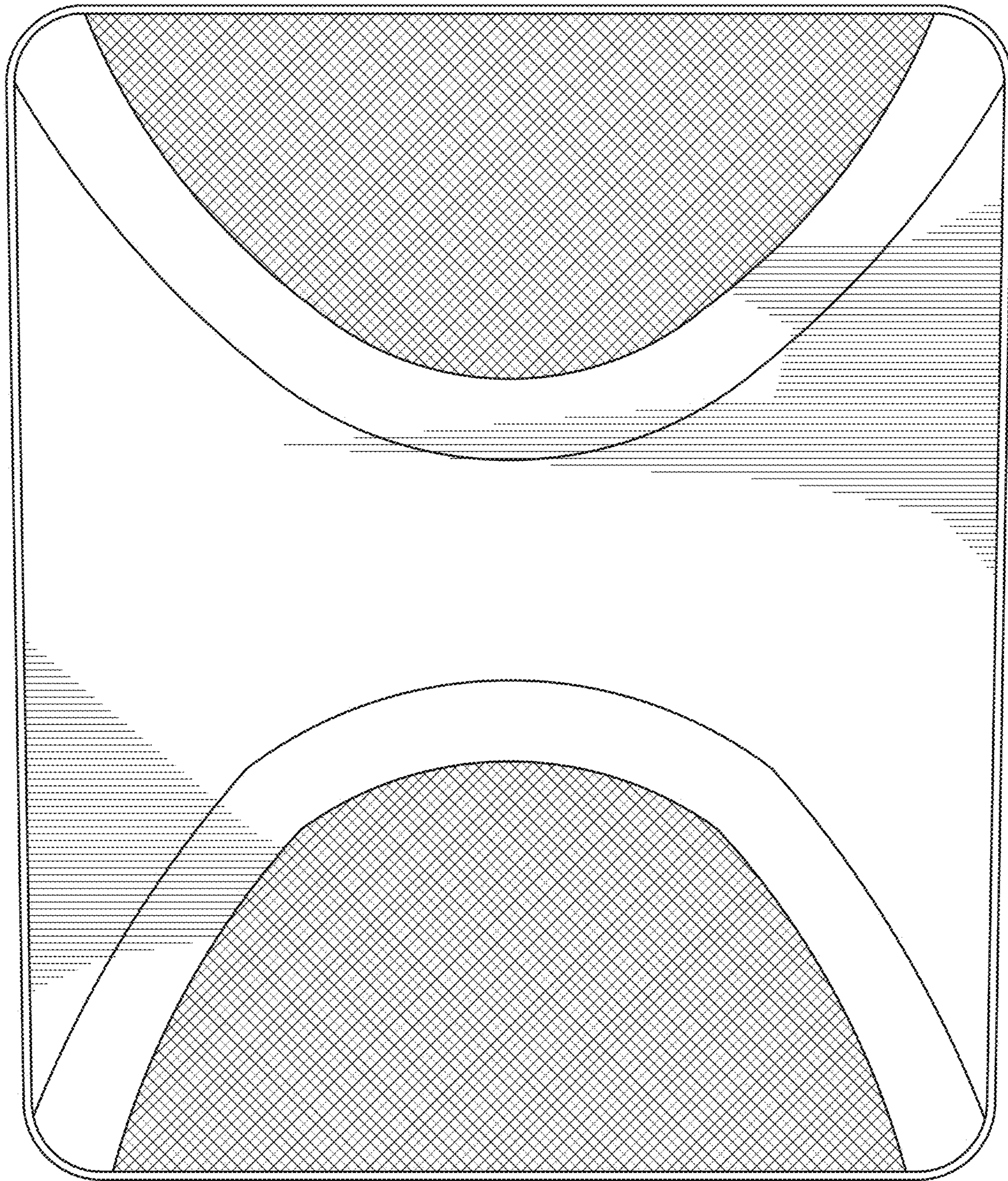


FIG. 10

