



US00D898477S

(12) **United States Design Patent**
Zhu

(10) **Patent No.:** **US D898,477 S**
(45) **Date of Patent:** **** Oct. 13, 2020**

(54) **BEACH MAT**

(71) Applicant: **Jing Zhu**, Shenzhen (CN)

(72) Inventor: **Jing Zhu**, Shenzhen (CN)

(73) Assignee: **Shenzhen Xing Ao Sheng Technology Co., Ltd.**, Shenzhen (CN)

(**) Term: **15 Years**

(21) Appl. No.: **29/673,551**

(22) Filed: **Dec. 14, 2018**

(51) **LOC (12) Cl.** **06-13**

(52) **U.S. Cl.**
USPC **D6/608**

(58) **Field of Classification Search**
USPC D6/582-583, 587-592, 595-609, 611, D6/617-622; D2/719, 731, 740, 741
CPC A47G 9/00; A47G 2009/001; A47G 2009/002; A47G 2009/003; A47G 2009/005; A47G 2009/006; A47G 9/02; A47G 9/0207; A47G 9/0215; A47G 9/0223; A47G 9/023; A47G 9/0238; A47G 9/0246; A47G 9/0253; A47G 9/0261; A47G 9/06; A47G 9/062; A47G 9/066; A47G 9/068; A47G 9/08; A47G 2009/0276; A47G 9/0284; A47G 9/0292; A47G 9/04; A47G 9/10

See application file for complete search history.

(56) **References Cited**

U.S. PATENT DOCUMENTS

1,767,842 A * 6/1930 Gehrke A47G 9/04
2/69.5

5,059,463 A * 10/1991 Peters A47G 9/06
135/116

D325,489 S * 4/1992 Pratt D6/608
5,386,603 A * 2/1995 Drust A47G 9/062
5/417

D408,201 S * 4/1999 King D6/608
6,212,711 B1 * 4/2001 Gilmour A45C 9/00
190/1

6,343,391 B1 * 2/2002 Le Gette A47G 9/062
5/417

D463,700 S * 10/2002 Le Gette D6/596
6,571,410 B2 * 6/2003 Zheng A47G 9/062
5/417

D530,059 S * 10/2006 Tenenbaum D2/719
D665,213 S * 8/2012 Mierzwa D6/608
D715,519 S * 10/2014 Dodd D2/860
10,098,477 B2 * 10/2018 Flynn-Kirkpatrick
A47D 15/003

D861,376 S * 10/2019 Malouf D6/603
2002/0095725 A1 * 7/2002 Dix A47D 15/00
5/482

2003/0014816 A1 * 1/2003 Le Gette A47G 9/062
5/419

2019/0008302 A1 * 1/2019 Publicover A47G 27/0231

* cited by examiner

Primary Examiner — Jennifer L Rempfer

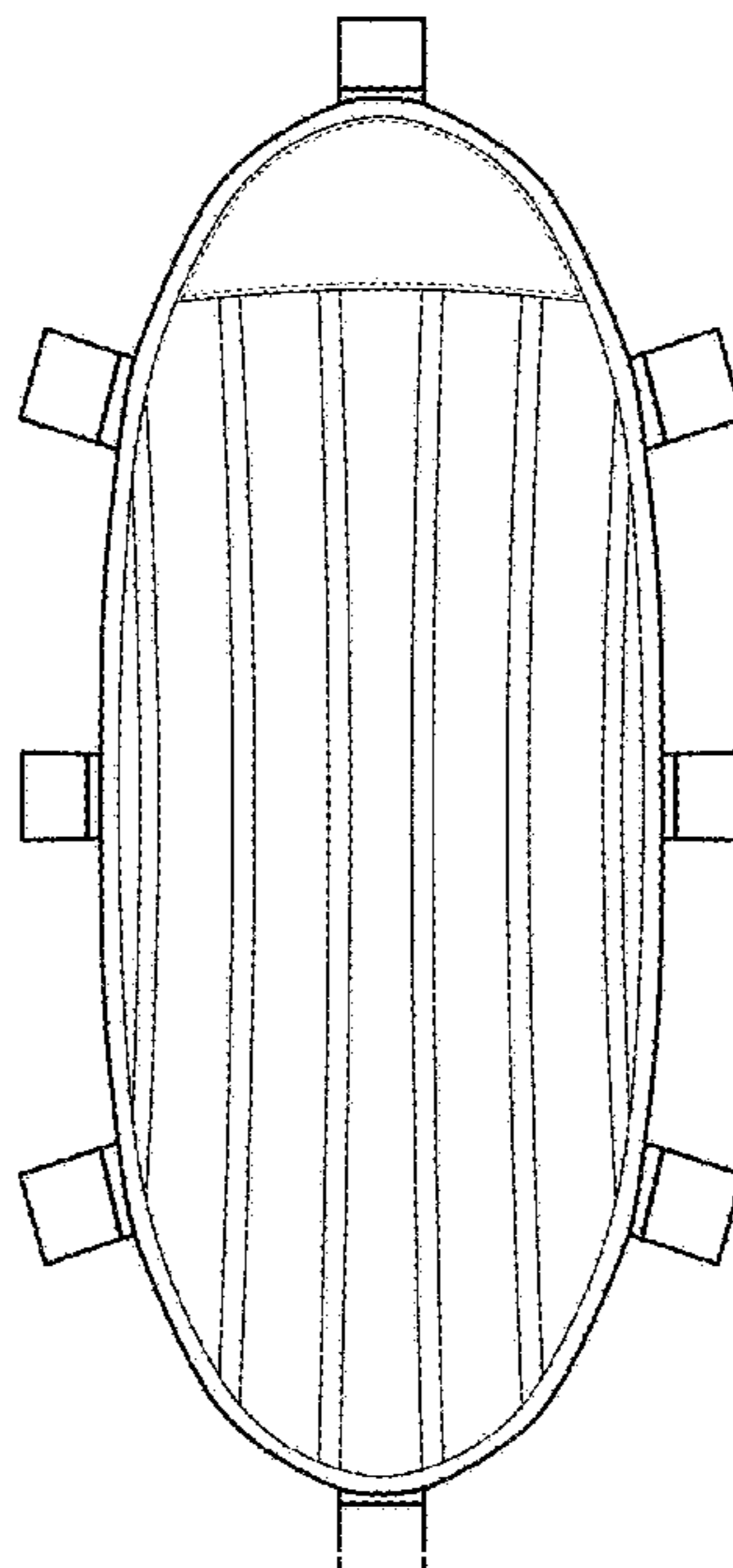
(57) **CLAIM**

The ornamental design for a beach mat, as shown and described.

DESCRIPTION

FIG. 1 is a front elevational view of a beach mat showing my new design;
FIG. 2 is a rear elevational view thereof; and,
FIG. 3 is a perspective view thereof.
The claimed design is shown in the figures by solid lines as well as by dashed lines that represent stitching.

1 Claim, 3 Drawing Sheets



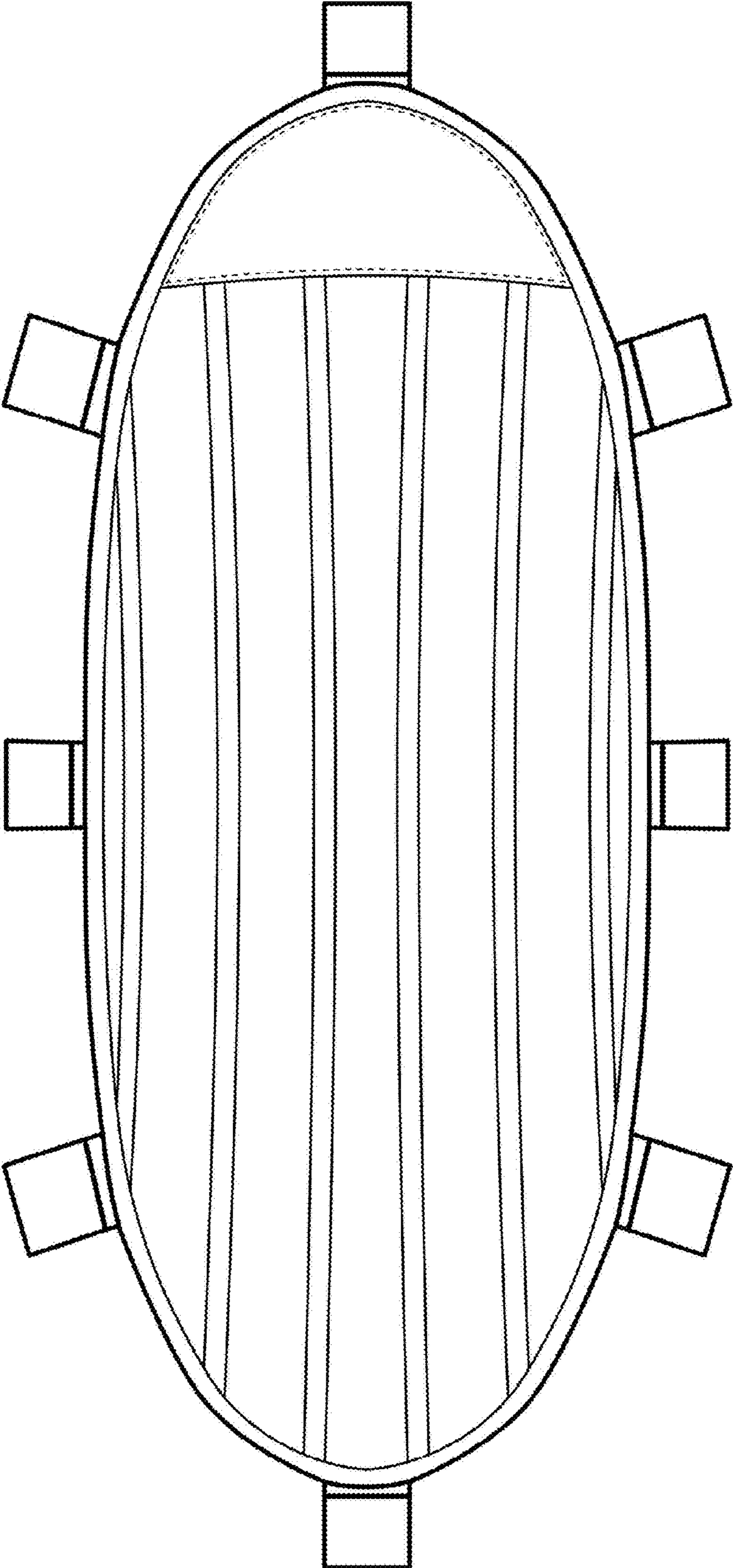


FIG.1

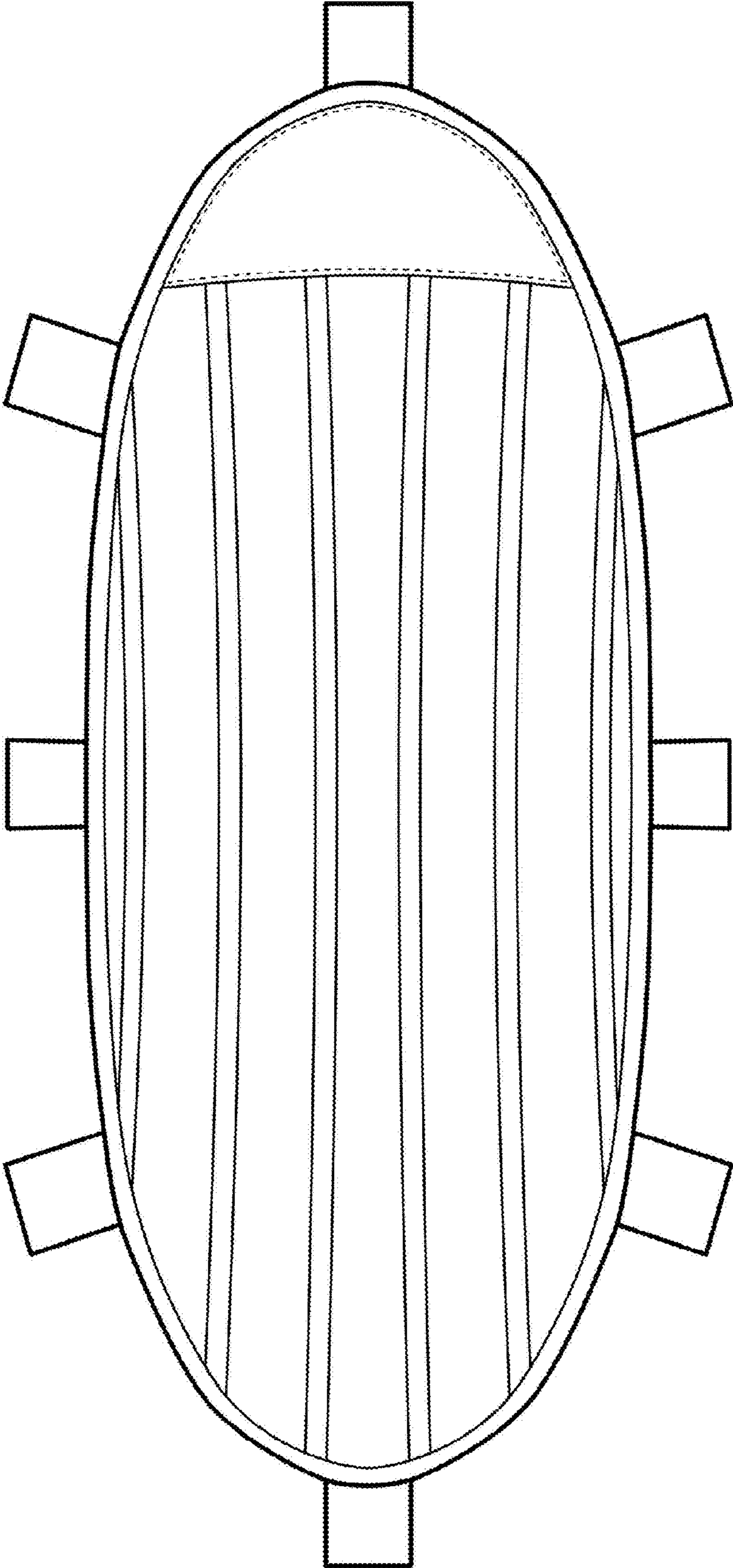


FIG.2

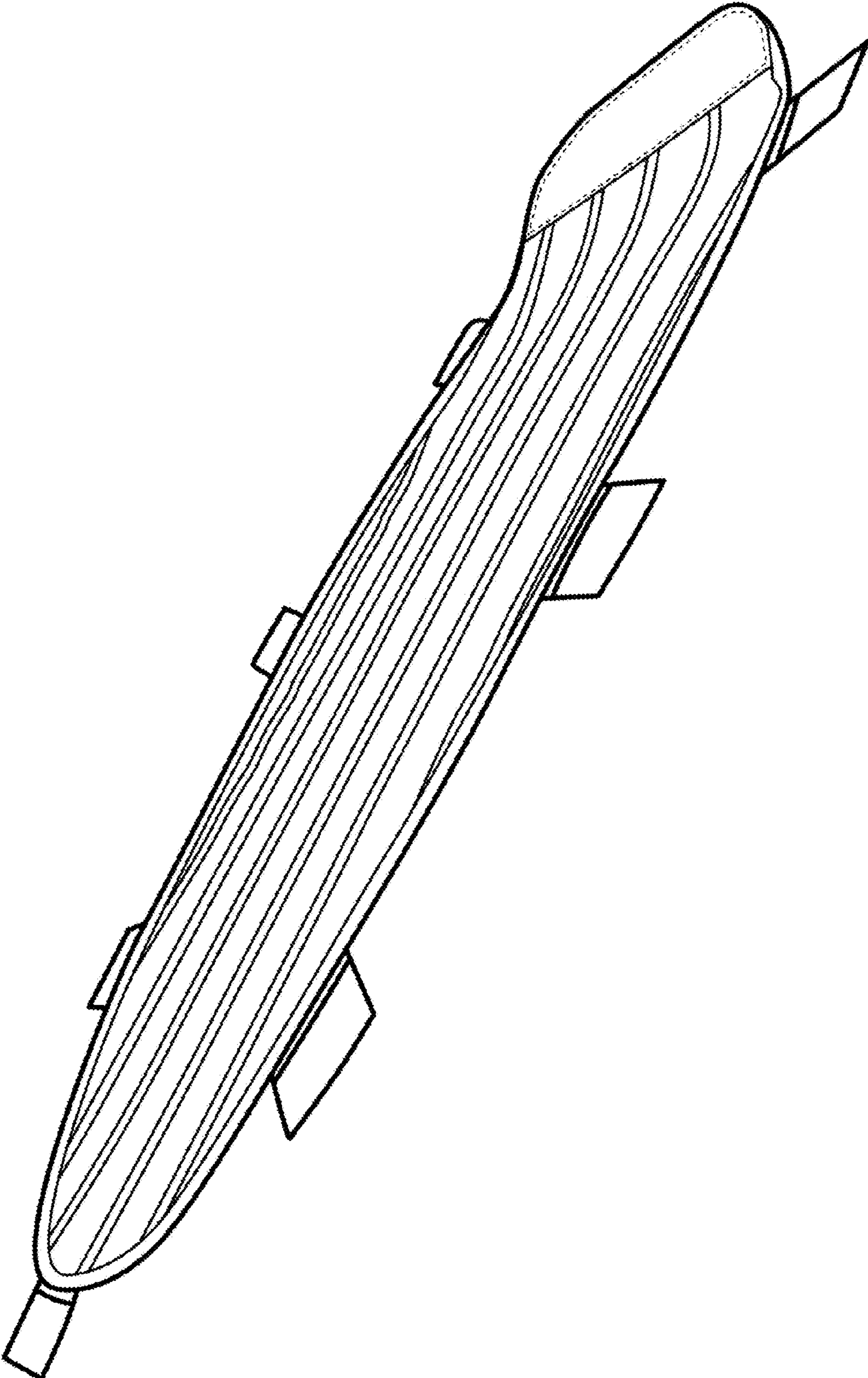


FIG.3