



US00D898476S

(12) **United States Design Patent**
Minten et al.

(10) **Patent No.:** **US D898,476 S**
(45) **Date of Patent:** **** Oct. 13, 2020**

- (54) **TOWEL WITH INTEGRATED TOTE BAG**
- (71) Applicants: **James Minten**, Clintonville, WI (US);
June Minten, Clintonville, WI (US)
- (72) Inventors: **James Minten**, Clintonville, WI (US);
June Minten, Clintonville, WI (US)

4,375,111 A	3/1983	Hall	
4,671,393 A	6/1987	Rainey	
4,723,300 A	2/1988	Kranow	
D322,532 S	12/1991	Kumar et al.	
5,110,219 A	5/1992	Lopes	
5,346,308 A *	9/1994	Buhot	A45C 3/10 224/153
5,390,381 A *	2/1995	LaMantia	A45C 3/10 190/2
5,457,829 A *	10/1995	Elliott	A47G 9/0207 5/420
5,618,110 A	4/1997	Sullivan	
5,785,219 A *	7/1998	Kraft	A45F 4/02 2/66
5,843,556 A	12/1998	Levas	
5,920,931 A *	7/1999	Zuehlke	A47G 9/1045 383/4

- (**) Term: **15 Years**
- (21) Appl. No.: **29/561,612**
- (22) Filed: **Apr. 18, 2016**

Related U.S. Application Data

- (63) Continuation-in-part of application No. 15/049,388, filed on Feb. 22, 2016, now abandoned.

- (51) **LOC (12) Cl.** **06-13**
- (52) **U.S. Cl.**
USPC **D6/608**

- (58) **Field of Classification Search**
USPC D6/582-583, 587-592, 595-609,
D6/617-622; D21/803-809; D24/183
CPC A47G 9/00; A47G 2009/001; A47G
2009/002; A47G 2009/003; A47G 9/10;
A47G 9/1009; A47G 2009/1018; A47G
9/1045; A47G 9/1081; A47G 9/109;
A47G 2009/005; A47G 2009/006; A47G
9/02; A47G 9/0207; A47G 9/0215; A47G
9/0223; A47G 9/023; A47G 9/0238;
A47G 9/0246; A47G 9/0253; A47G
9/0261; A47G 2009/0269; A47G 11/002;
A47G 21/165

See application file for complete search history.

(56) **References Cited**

U.S. PATENT DOCUMENTS

2,045,784 A *	6/1936	Leve	A45C 9/00 190/1
4,101,994 A *	7/1978	Hoyt	A45C 9/00 383/4

(Continued)

Primary Examiner — Jennifer L Rempfer
(74) *Attorney, Agent, or Firm* — The Keys Law Firm
PLLC

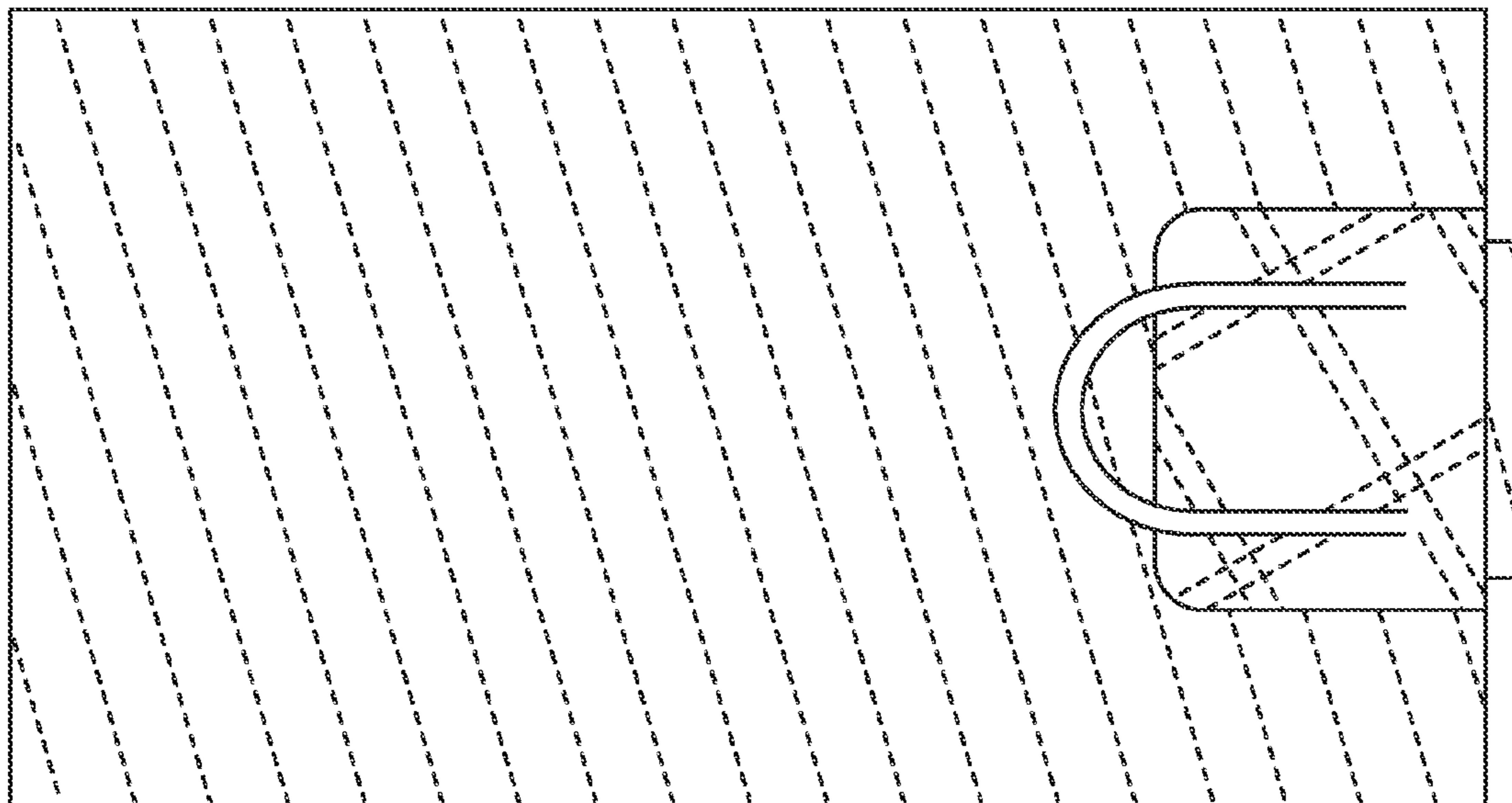
(57) **CLAIM**

The ornamental design for a towel with integrated tote bag, as shown and described.

DESCRIPTION

FIG. 1 is a top plan view of the present invention, showing the towel with integrated tote bag of the new design; FIG. 2 is a bottom plan view thereof; FIG. 3 is a side elevational view thereof from the side opposite the tote bag; FIG. 4 is a side elevational view thereof from the side of the tote bag; and, FIG. 5 is a longitudinal side elevational view thereof. The broken lines shown in FIGS. 1 through 5 represent the printed indicia on the tote bag and towel and is for illustrative purposes only, forming no part of the claimed design.

1 Claim, 2 Drawing Sheets



(56)

References Cited

U.S. PATENT DOCUMENTS

6,094,759 A * 8/2000 Thompson A47G 9/0223
5/420
6,129,452 A 10/2000 Hakulin
D453,607 S * 2/2002 Tracy D2/826
6,393,637 B1 * 5/2002 Hoffman A41D 3/08
2/69.5
6,393,638 B1 * 5/2002 MacColl A45F 4/02
383/4
6,408,462 B1 * 6/2002 Moore A41D 3/08
2/69
6,634,041 B2 10/2003 Higashi et al.
6,647,570 B1 11/2003 Ong
6,865,749 B2 * 3/2005 Mohney A41B 13/10
2/48
6,952,845 B1 * 10/2005 Akkad A45F 4/02
383/4
7,111,343 B1 9/2006 Bates
8,016,484 B1 9/2011 Cross
9,445,672 B2 * 9/2016 Demosthene A47C 7/62
2017/0238663 A1 * 8/2017 Minten A45C 3/10

* cited by examiner

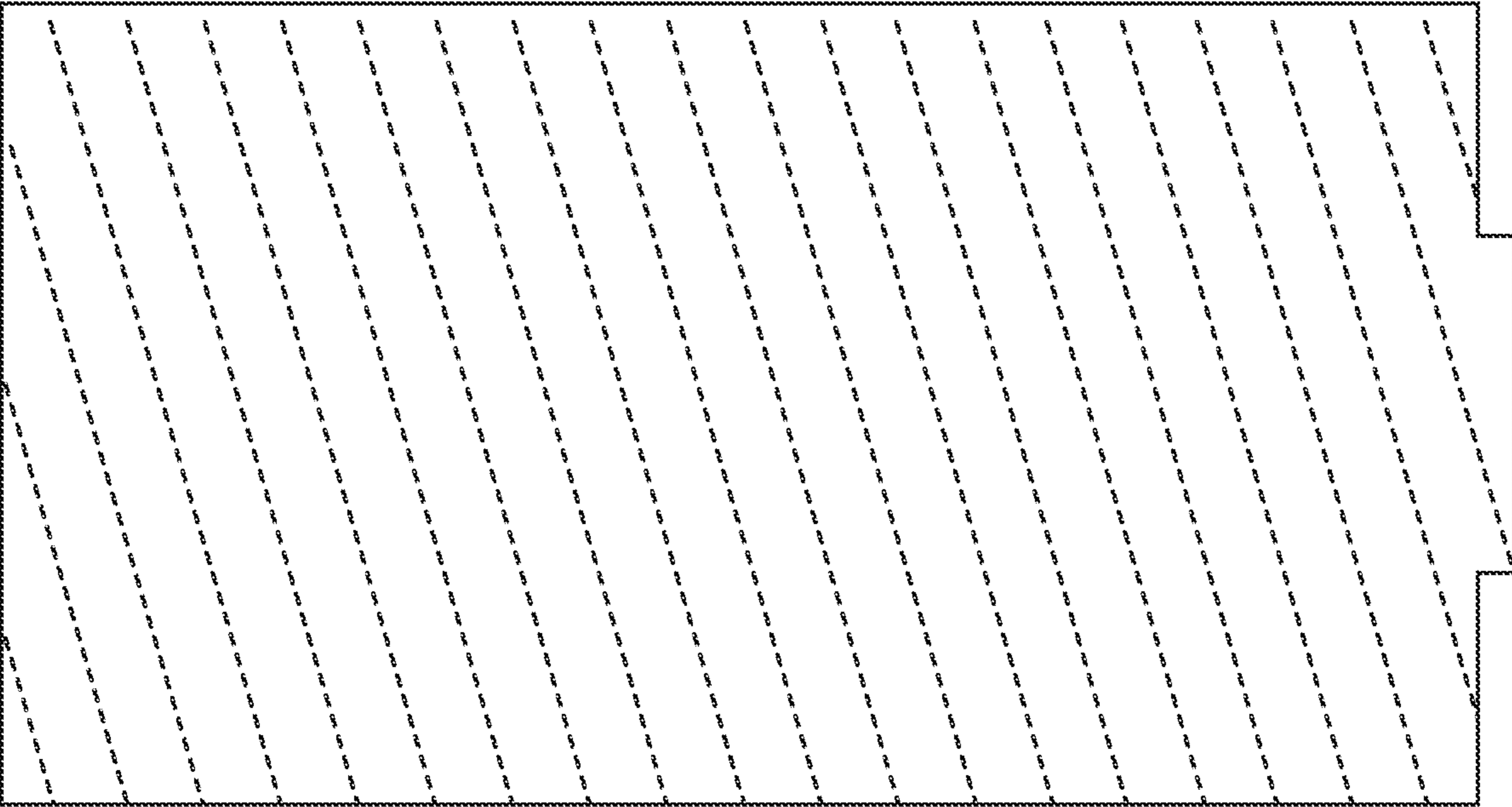


FIG. 1

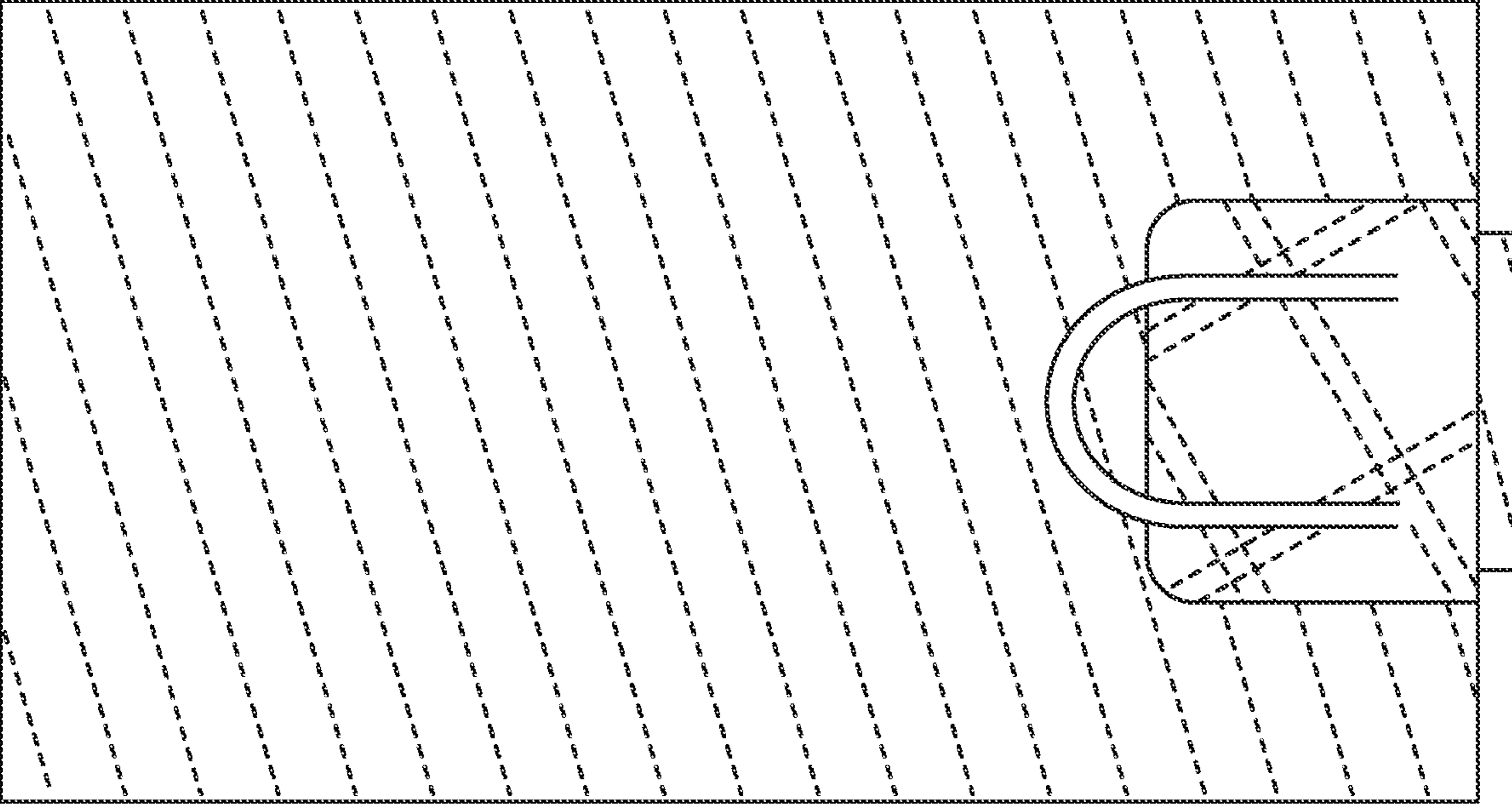


FIG. 2

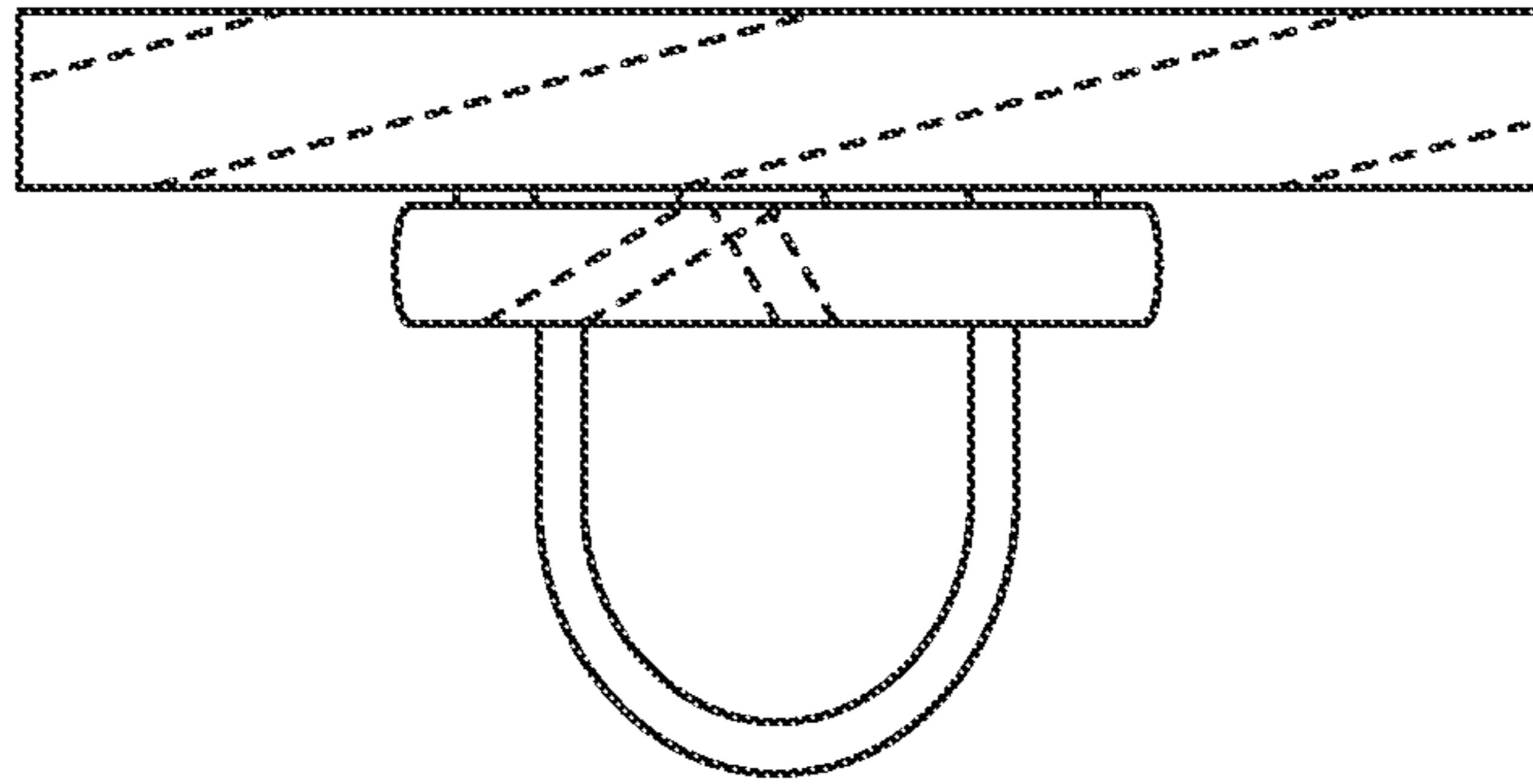


FIG. 3

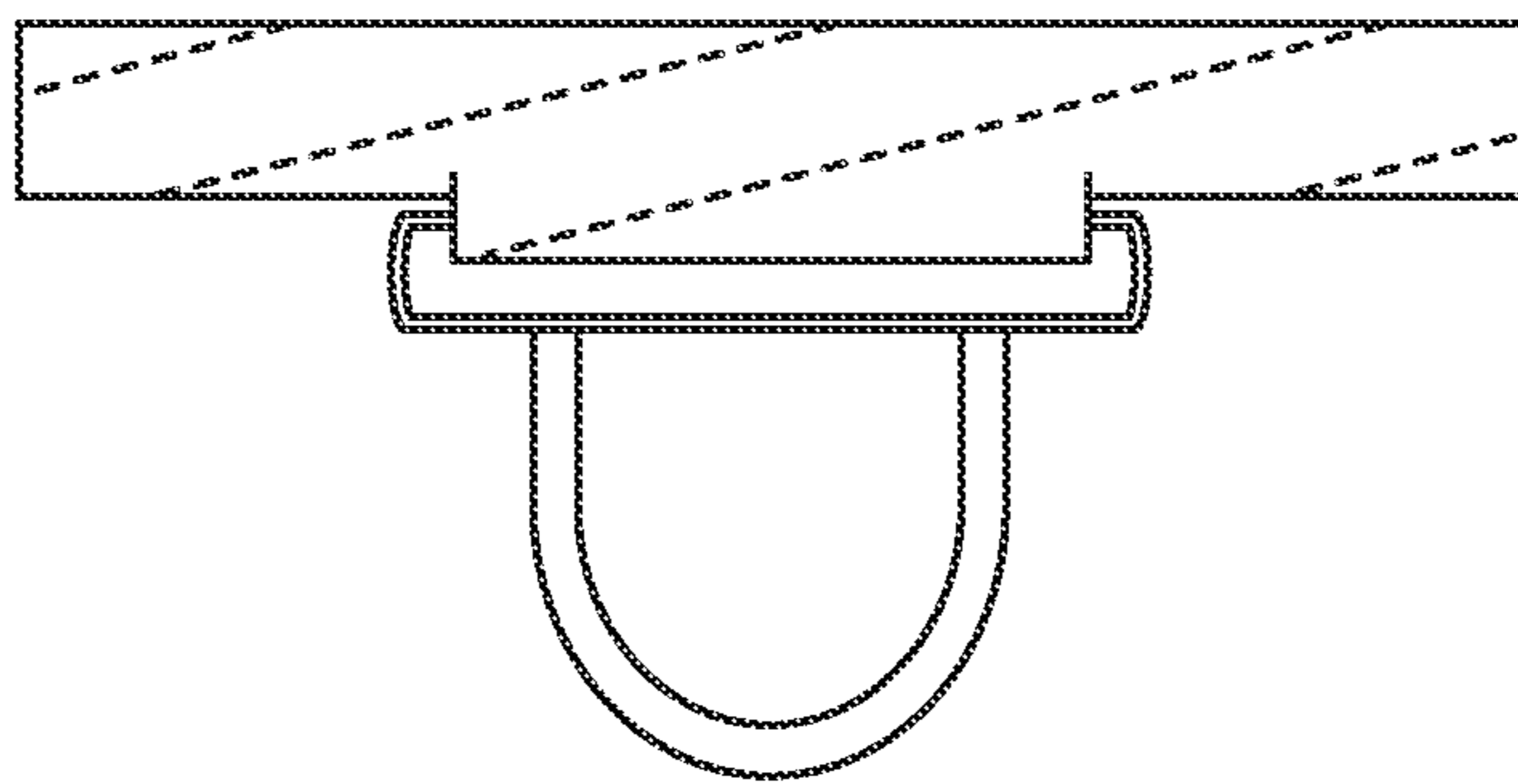


FIG. 4

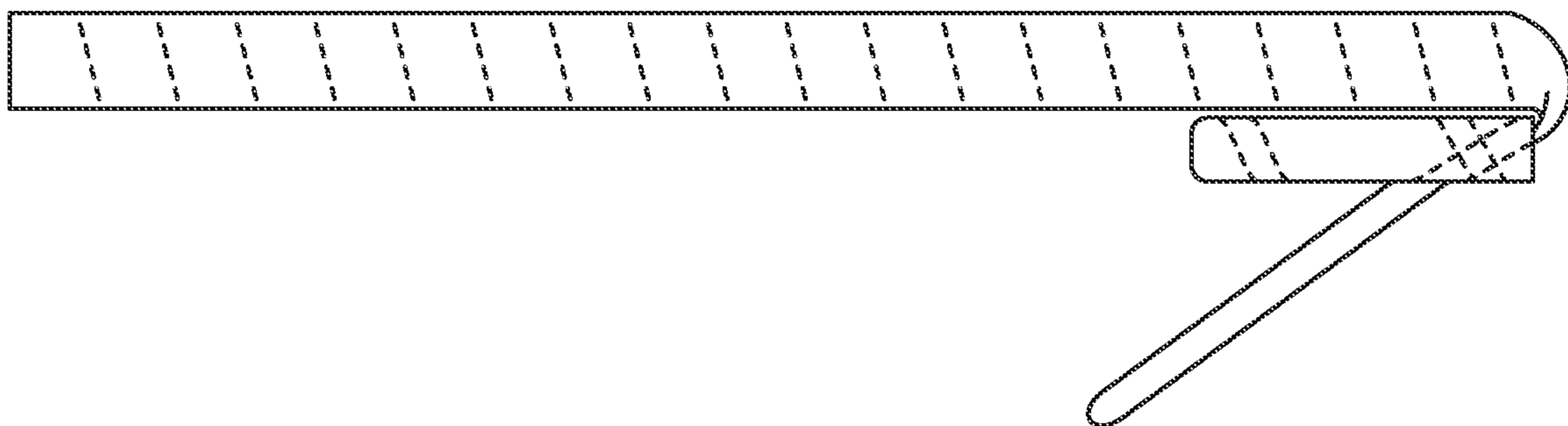


FIG. 5