



US00D898475S

(12) **United States Design Patent** (10) **Patent No.:** **US D898,475 S**
Sundberg (45) **Date of Patent:** **** Oct. 13, 2020**

(54) **MATTRESS COVER**
(71) Applicant: **Bo Martin Sundberg**, Maastricht (NL)
(72) Inventor: **Bo Martin Sundberg**, Maastricht (NL)
(**) Term: **15 Years**
(21) Appl. No.: **29/712,449**
(22) Filed: **Nov. 8, 2019**
(51) **LOC (12) Cl.** **06-99**
(52) **U.S. Cl.**
USPC **D6/606**
(58) **Field of Classification Search**
USPC D6/382, 595, 596, 605, 606, 607;
D34/38
CPC A47C 23/00; A47C 23/06; A47C 23/061;
A47C 23/062; A47C 23/66; A47C
23/067; A47C 23/068; A47C 19/02
See application file for complete search history.

8,776,295 B2 * 7/2014 Myers D05B 11/005
5/703
D733,989 S 7/2015 Berkshire
9,345,337 B1 * 5/2016 Chai A47C 27/005
D763,602 S 8/2016 Oberwelz et al.
D806,443 S * 1/2018 Wightman D6/605
D836,951 S * 1/2019 Cheng D6/605
D850,159 S * 6/2019 Lonstein D6/605
2005/0177942 A1 * 8/2005 Finn A47C 31/105
5/499
2008/0005845 A1 1/2008 Pflieger
(Continued)

(56) **References Cited**

U.S. PATENT DOCUMENTS

D102,646 S * 1/1937 Bowsersox D6/605
2,639,444 A 5/1953 Monsabert
2,856,615 A 10/1958 Cirocco
4,119,250 A 10/1978 Brutlag
D313,721 S * 1/1991 Parker D6/605
D323,730 S 2/1992 Bruney
5,323,501 A 6/1994 Kuhangel
6,176,002 B1 1/2001 Korb
6,736,437 B2 5/2004 Freeland
7,581,772 B2 9/2009 Johnson et al.
7,828,354 B2 11/2010 Kohn et al.
D659,459 S * 5/2012 Jung D6/605
D670,948 S * 11/2012 Price D6/605
D673,413 S * 1/2013 Price D6/605
8,342,587 B2 1/2013 Johnson et al.
D681,999 S * 5/2013 Price D6/605
8,459,710 B1 6/2013 White
D707,983 S * 7/2014 Hughes D6/605

OTHER PUBLICATIONS

Full/Queen Size Mattress Moving Bag with Handles, Green Easy Move Solutions. Found on Amazon.com. Product reviewed on Nov. 27, 2018. Found on the internet: <https://www.amazon.com/Full-Queen-mattress-moving-handles/dp/B01MF64RZR>. *
(Continued)

Primary Examiner — Jennifer L Rempfer
(74) *Attorney, Agent, or Firm* — The Roy Gross Law Firm, LLC; Roy Gross

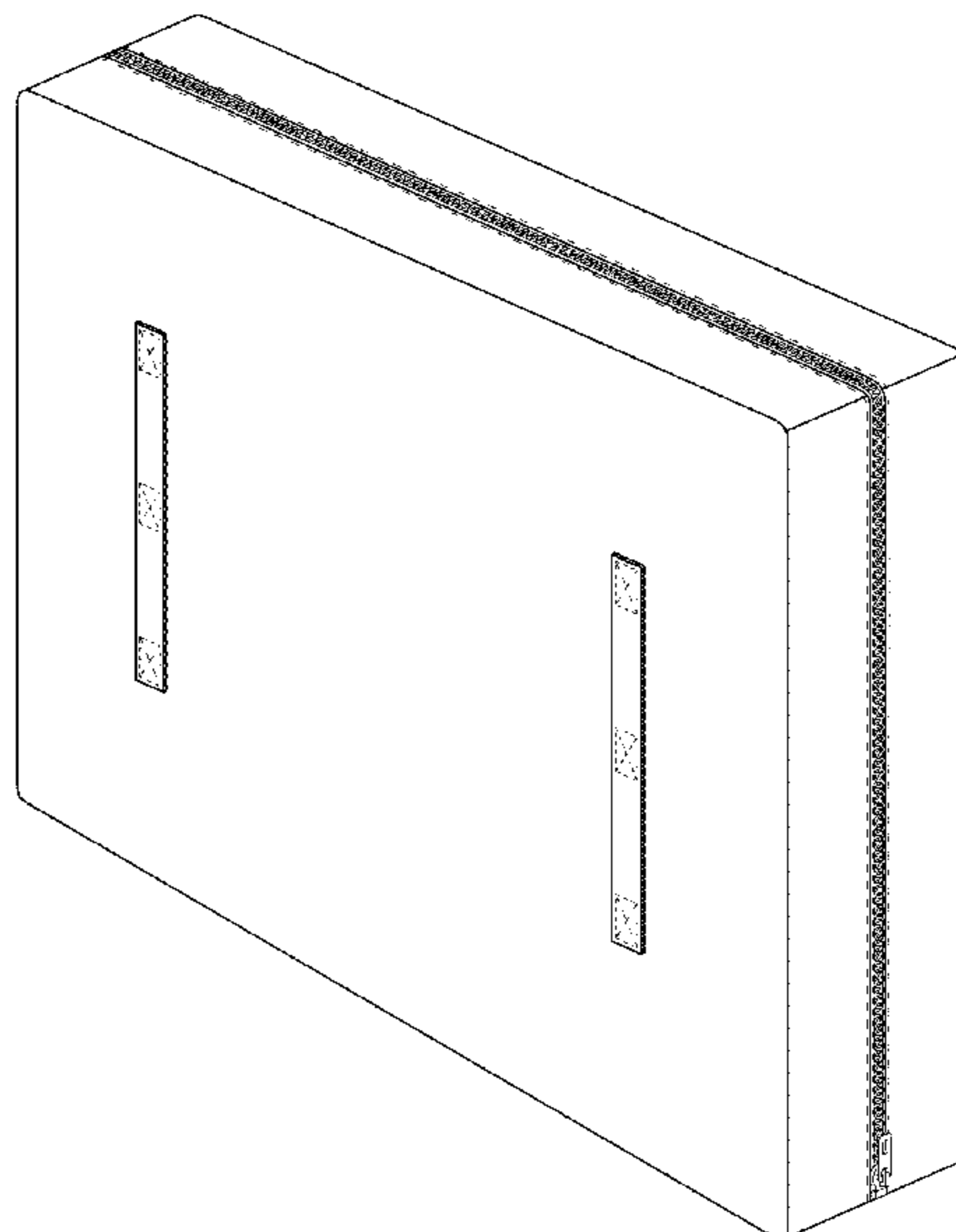
(57) **CLAIM**

The ornamental design for mattress cover, as shown and described.

DESCRIPTION

FIG. 1 is a perspective view of a mattress cover in accordance with the new design;
FIG. 2 is a front view thereof;
FIG. 3 is a rear view thereof;
FIG. 4 is a bottom view thereof;
FIG. 5 is a top view thereof;
FIG. 6 is a right side view thereof;
FIG. 7 is a left side view thereof; and,
FIG. 8 is a perspective view of FIG. 1 in a folded configuration.

1 Claim, 6 Drawing Sheets



(56)

References Cited

U.S. PATENT DOCUMENTS

2012/0255120 A1* 10/2012 Poston A47C 31/105
5/499
2015/0096120 A1* 4/2015 Scarleski A47C 27/087
5/484
2015/0190002 A1 7/2015 Polenick
2016/0128499 A1* 5/2016 Jhou A47C 27/008
5/493
2017/0367490 A1* 12/2017 Fischer A47C 27/005

OTHER PUBLICATIONS

Mattibag® Mattress Storage Bag: Big Zips & Carry Handles,
<https://mattibag.com.au/> retrieved on Feb. 14, 2020.
Amazon.com. Caloona Inc. Mattress Bags Retrieved Feb. 14, 2020,
from https://www.amazon.com/Caloona-Inc-Mattress-Storage-Patent-Reinforced/dp/B07X1P9MLX/ref=sr_1_2_sspa?keywords=caloona+inc+mattressbags&qid=1581698805&sr=8-2spons&psc=1&spLa=ZW5jcnlwdGVkUXVhbGlmaWVyPUEwWFA3NEVXRIUzRzJOJmVuY3J5cHRIZEikPUEwMjc3NzUzM0c3SDRaVUFUNTZWRSZlbnNyeXB0ZWRBZEikPUEwNDMyMzA3MIJTUEFJMFhFUUdaWCZ3aWRnZXROYW1IPXNwX2F0ZiZlY3Rpb249Y2xpY2tSZWRpcmVjdCZkb05vdExvZ0NsaWNrPXRydWU=.

* cited by examiner

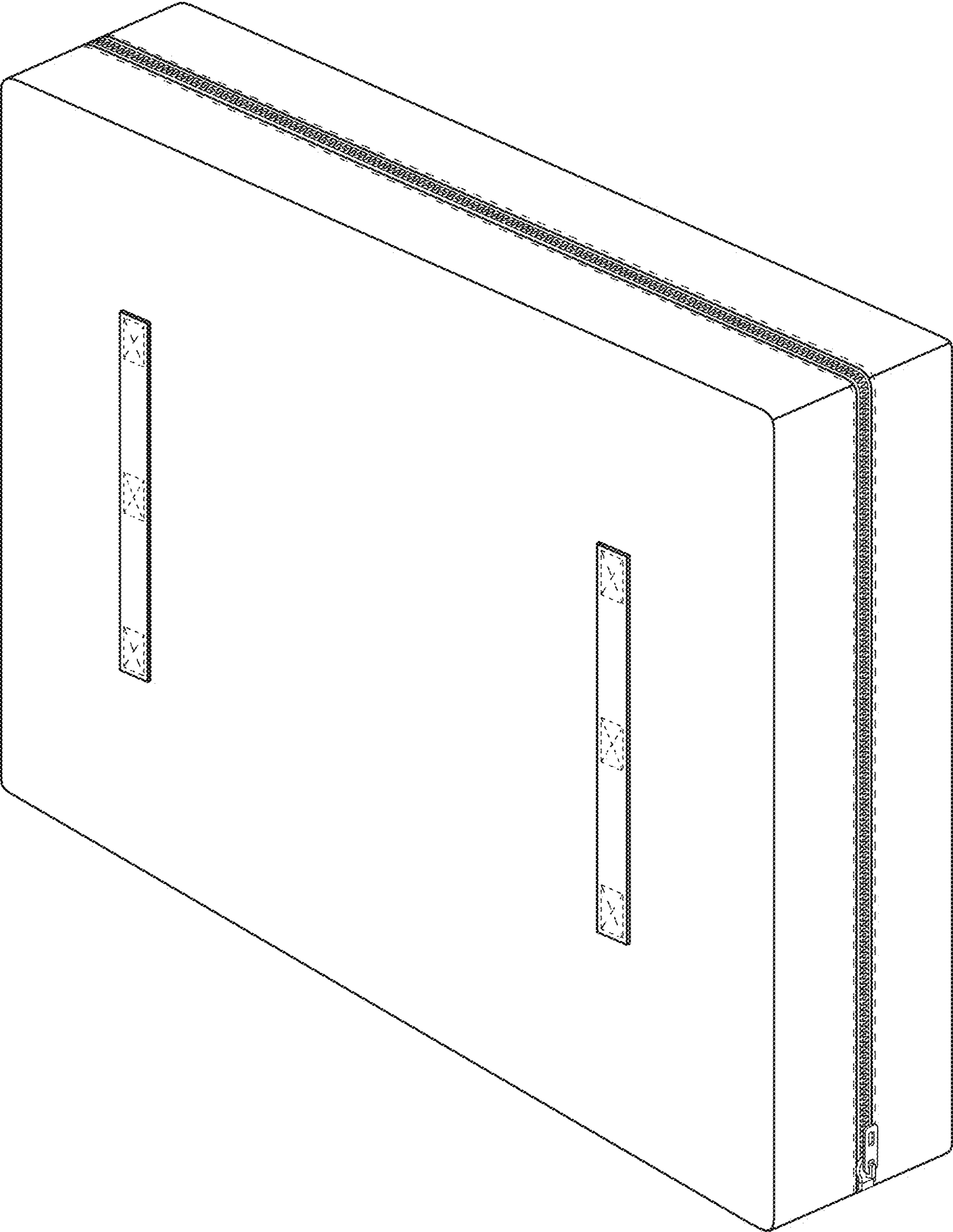


FIG. 1

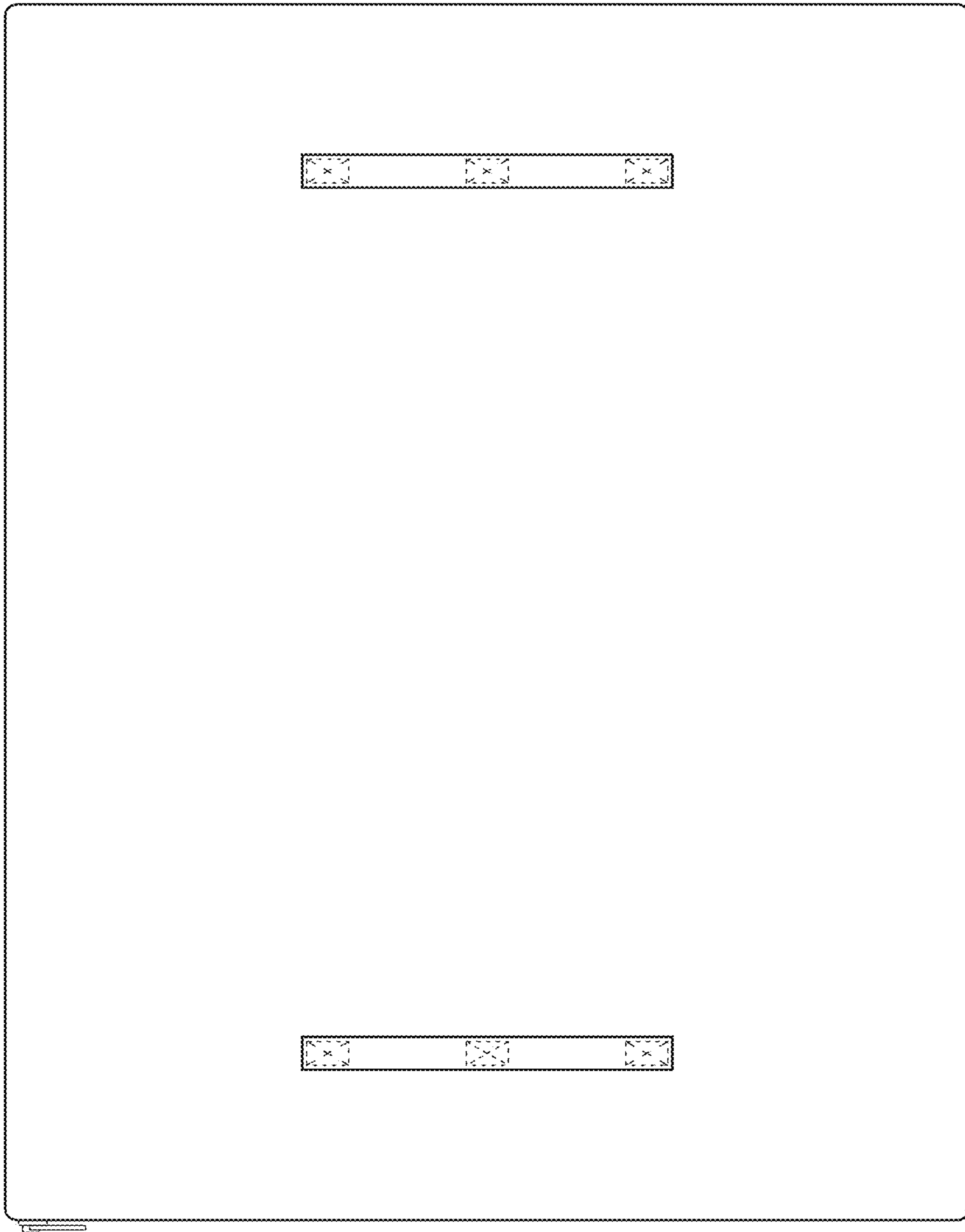


FIG. 2

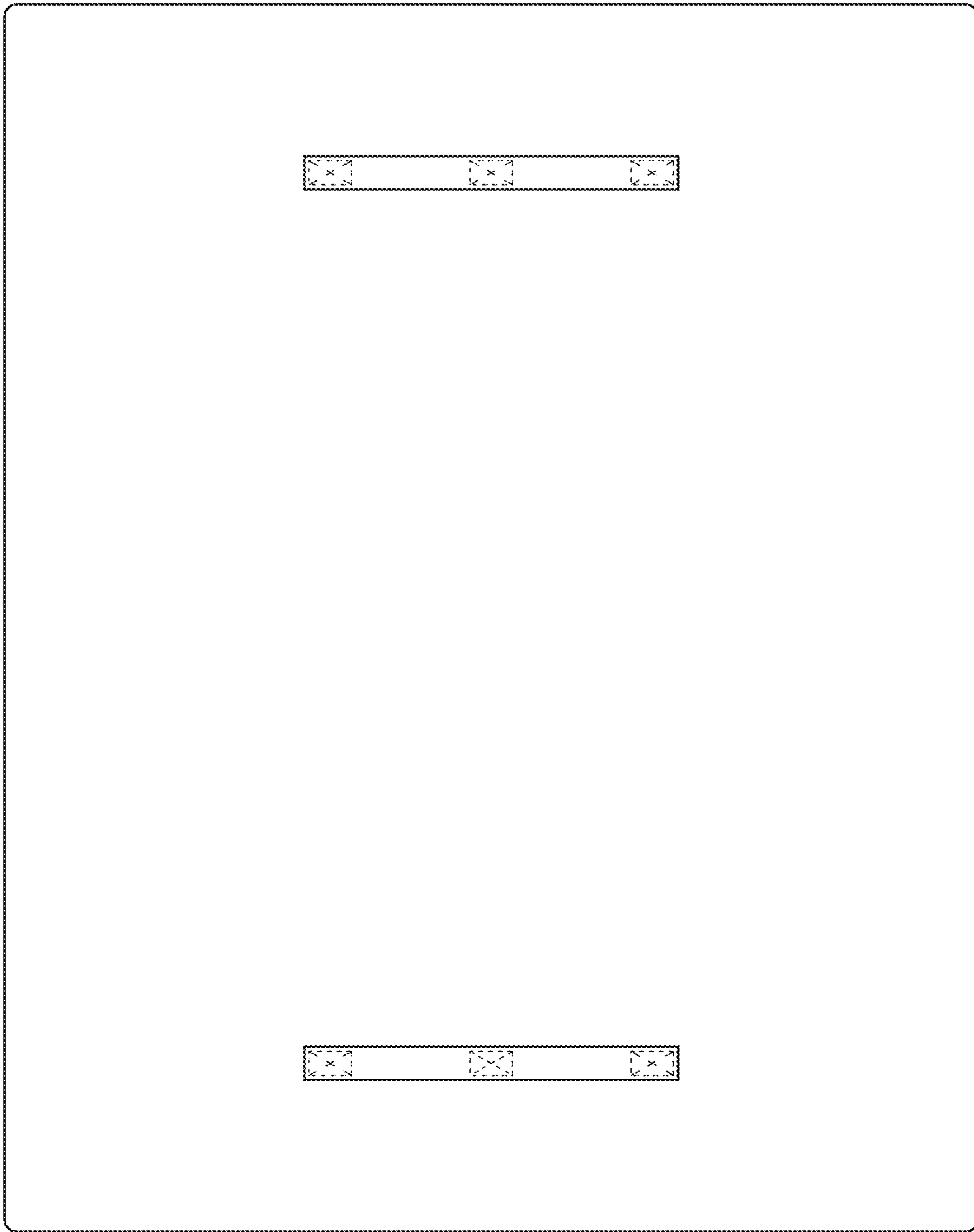


FIG. 3

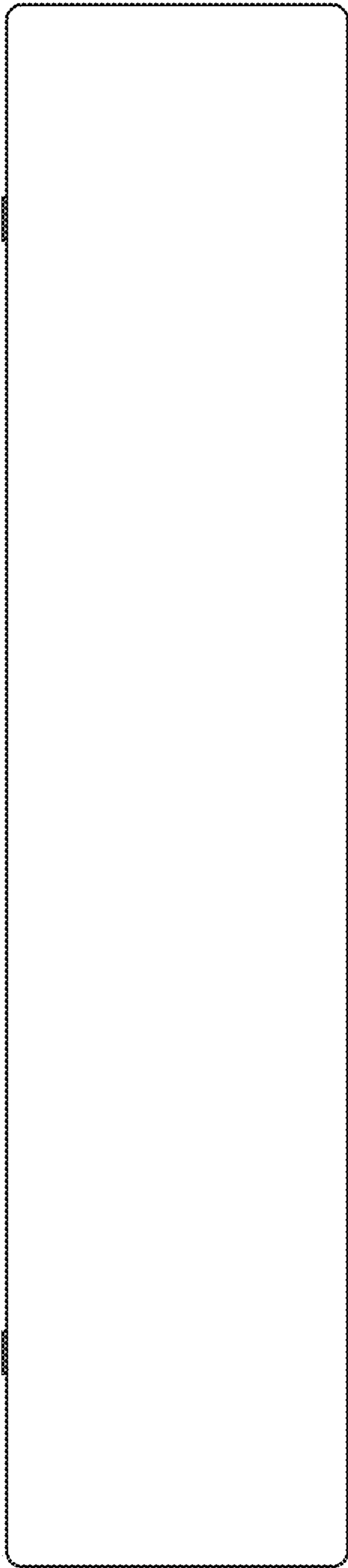


FIG. 4

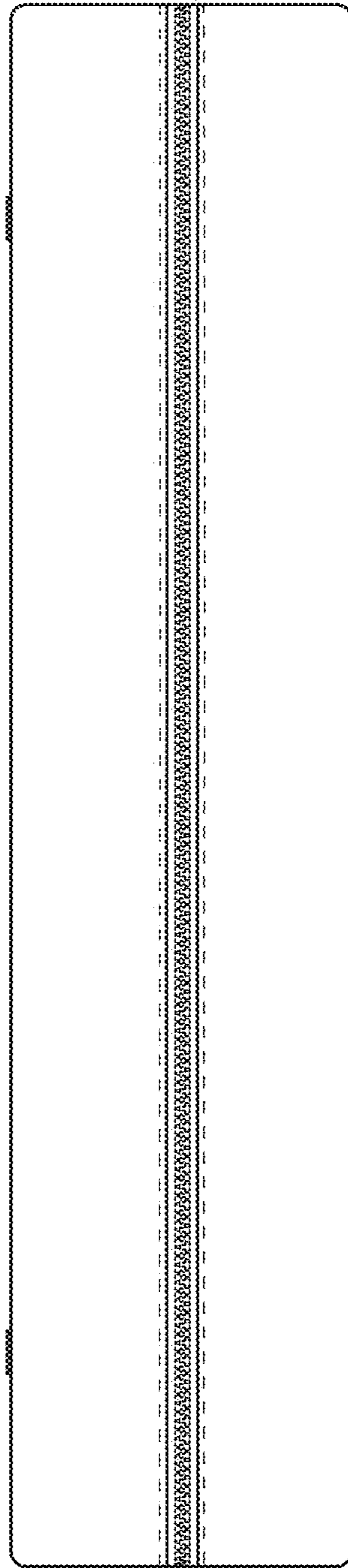


FIG. 5

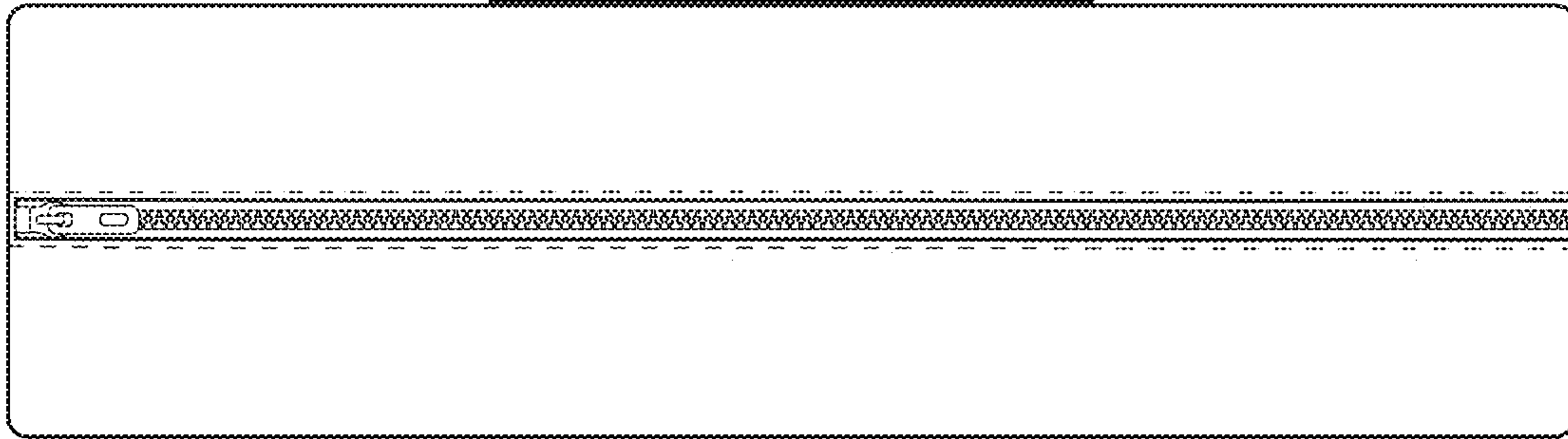


FIG. 6

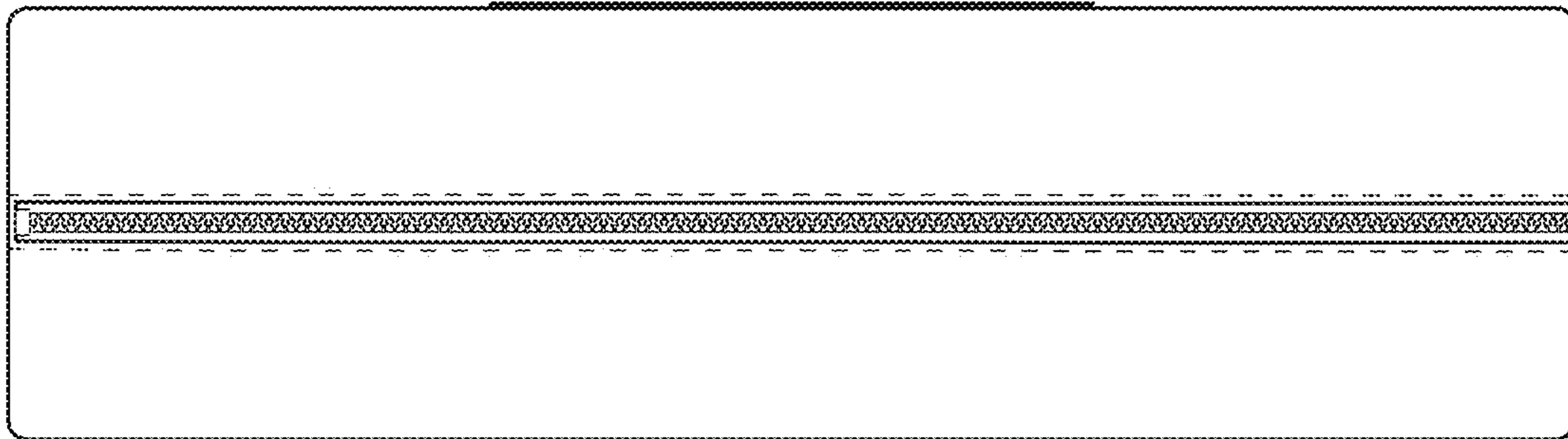


FIG. 7

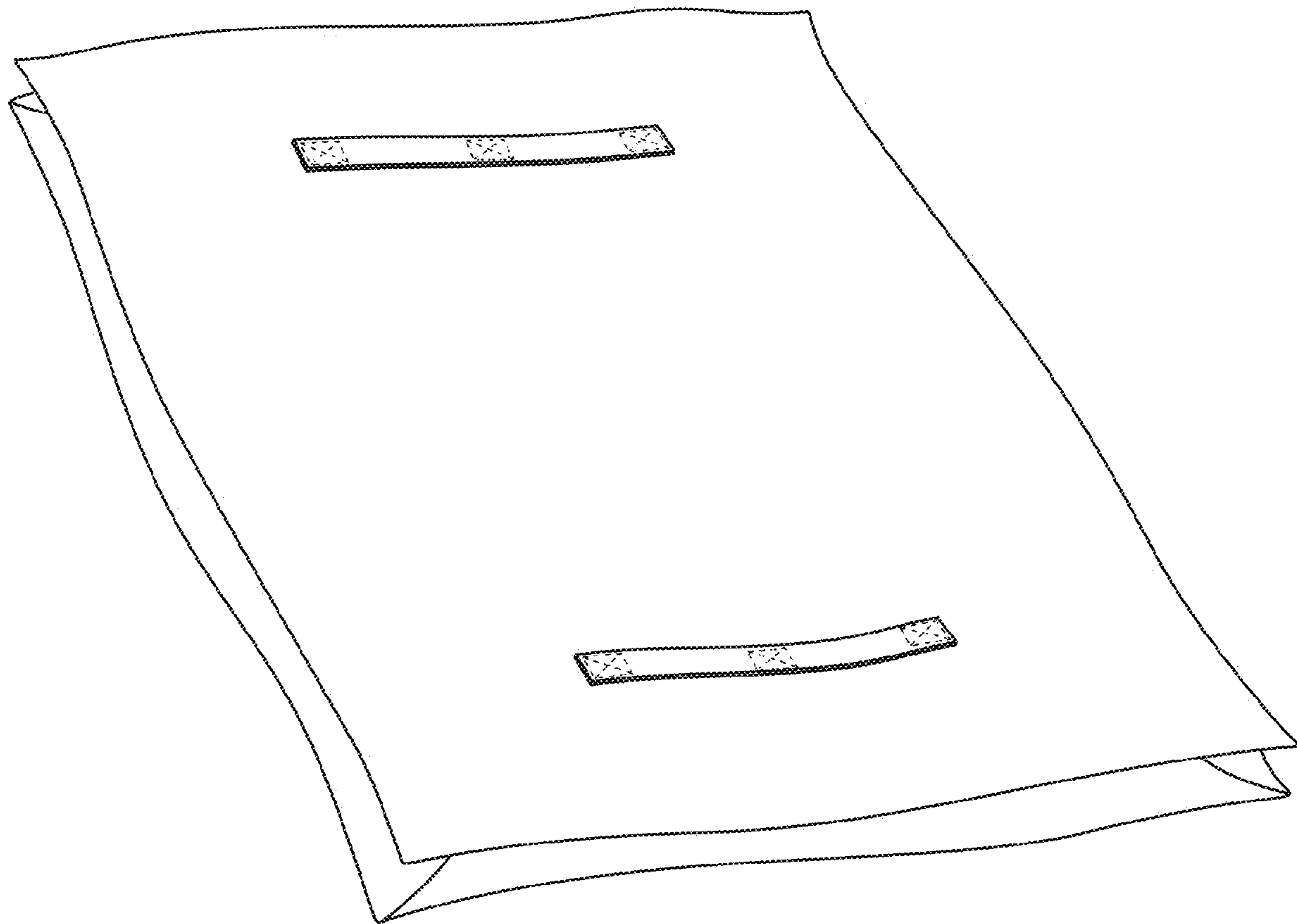


FIG. 8