



US00D898469S

(12) **United States Design Patent** (10) **Patent No.:** **US D898,469 S**
Williams et al. (45) **Date of Patent:** **** Oct. 13, 2020**

(54) **MATTRESS COVER**

FOREIGN PATENT DOCUMENTS

(71) Applicant: **Tempur World, LLC**, Lexington, KY (US)

EM 006017018-0002 * 3/2019
EM 006017521-0001 * 3/2019
EM 006017521-0002 * 3/2019

(72) Inventors: **Martha Williams**, Jamestown, NC (US); **LeeAnn Harmening**, Greensboro, NC (US); **Christina Pollock**, Greensboro, NC (US); **Brent Pfister**, Lexington, KY (US); **Steve Rusing**, Lexington, KY (US)

OTHER PUBLICATIONS

Tempurpedic Adapt Med Mattress Expert Review, reviewed Apr. 30, 2018, [online], [site visited Jun. 18, 2019]. Available from YouTube, URL: https://www.youtube.com/watch?v=X1eB_pvNQJw (Year: 2018).*

(73) Assignee: **Tempur World, LLC**, Lexington, KY (US)

Primary Examiner — Sanjeev Paul

(**) Term: **15 Years**

(74) *Attorney, Agent, or Firm* — Middleton Reutlinger

(21) Appl. No.: **29/707,382**

(22) Filed: **Sep. 27, 2019**

(57) **CLAIM**

Related U.S. Application Data

The ornamental design for a mattress cover, as shown and described.

(62) Division of application No. 29/656,607, filed on Jul. 13, 2018, now Pat. No. Des. 866,222.

(51) **LOC (12) Cl.** **06-99**

(52) **U.S. Cl.**
USPC **D6/606**

DESCRIPTION

(58) **Field of Classification Search**
USPC D6/333, 349, 355, 375, 388, 512, 563, D6/564, 595, 596, 601, 604, 611, 707, D6/715, 716, 716.1; D24/183–185, 234; D21/803, 804, 805, 809; 5/401, 420, 5/600, 630, 631, 632, 633, 635, 636, 638, 5/639, 646, 652, 652.1, 655, 703, 730; 297/1, 2, 4, 93, 180.11, 195.1, 195.11, 297/195.13, 393, 397, 452.12, 452.14,
(Continued)

FIG. 1 is a perspective view of a mattress cover design; FIG. 2 is a front elevational view of the mattress cover design of FIG. 1; FIG. 3 is a rear elevational view of the mattress cover design of FIG. 1; FIG. 4 is a right side elevational view of the mattress cover design of FIG. 1; FIG. 5 is a left side elevational view of the mattress cover design of FIG. 1; FIG. 6 is a top view of the mattress cover design of FIG. 1; and, FIG. 7 is a bottom view of the mattress cover design of FIG. 1.

(56) **References Cited**

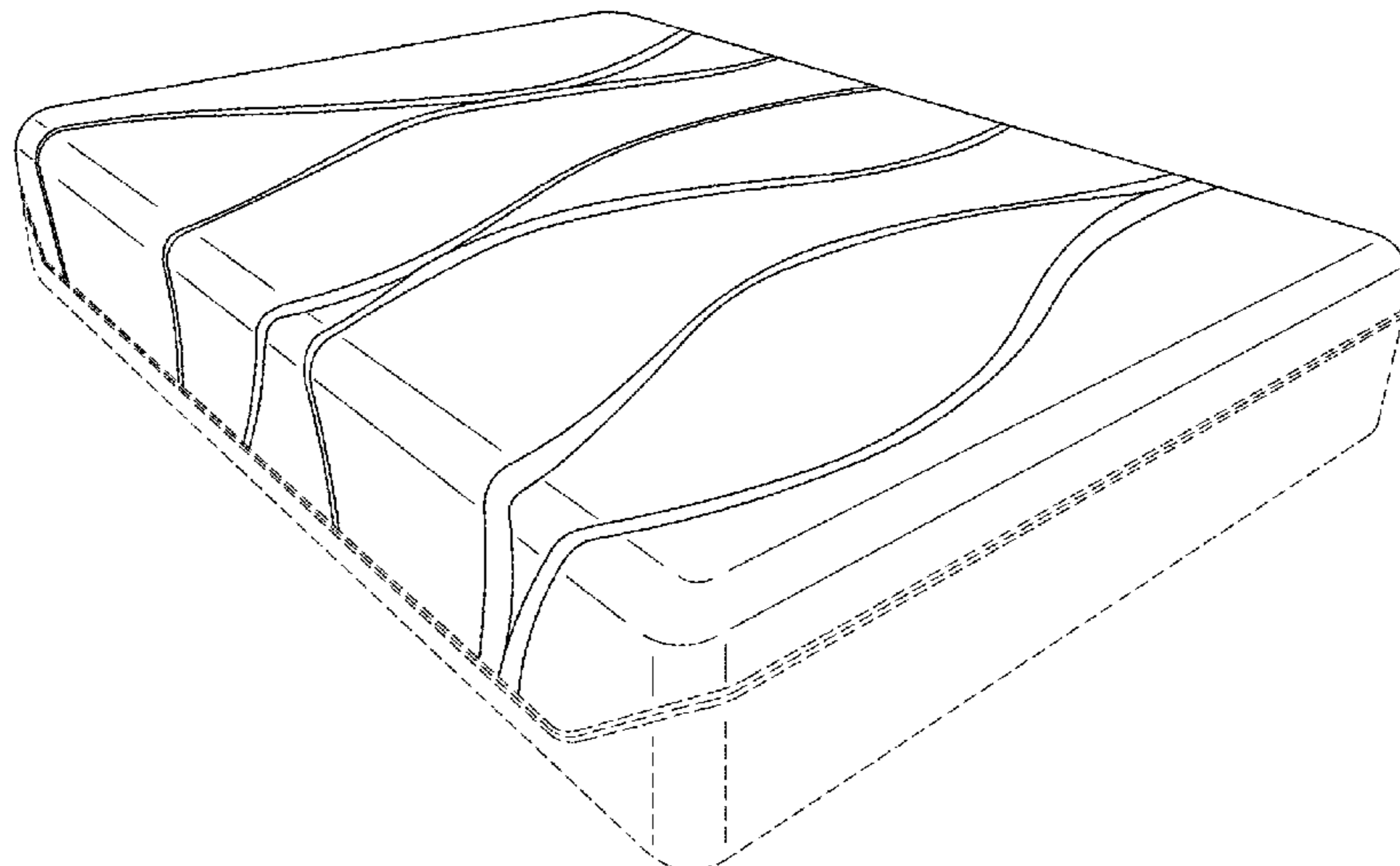
U.S. PATENT DOCUMENTS

The broken lines shown in the drawings are included for the purpose of illustrating unclaimed portions of the mattress cover and form no part of the claimed design.

D37,358 S * 2/1905 Haslup D5/59
D63,092 S * 10/1923 Vandergaw D5/57

(Continued)

1 Claim, 5 Drawing Sheets



US D898,469 S

(58) **Field of Classification Search**

USPC 297/452.15, 452.21, 452.24, 452.26,
297/452.48, 452.62, 482

CPC A47G 9/10; A47G 9/1009; A47G 9/1027;
A47G 9/1045; A47G 9/1063; A47G
9/1072; A47G 9/1081

See application file for complete search history.

(56) **References Cited**

U.S. PATENT DOCUMENTS

D89,649 S * 4/1933 Megroz D5/7
D113,261 S * 2/1939 Fassler D6/603
D182,349 S * 3/1958 Alvord D25/154
D413,731 S * 9/1999 Hannington D5/61
D419,781 S * 2/2000 Pratt D5/53
D441,540 S * 5/2001 Enderby D5/53
6,467,521 B1 * 10/2002 Pratt B29C 70/20
156/351
D525,437 S * 7/2006 Leisch D5/53
D562,567 S * 2/2008 Proserpio D5/56
D636,607 S * 4/2011 Withers A47J 36/02
D5/56
D650,994 S * 12/2011 Sheehan D5/56
D670,950 S * 11/2012 Price D6/605
D690,962 S * 10/2013 Danileson D6/605
8,721,073 B2 * 5/2014 Bowers G02C 7/046
351/159.31
D719,764 S * 12/2014 Enders D5/55
D720,158 S * 12/2014 Harmening D5/56
D724,864 S * 3/2015 Harmening D5/56
D724,865 S * 3/2015 Jensen D5/56
D726,452 S * 4/2015 Jensen D5/55
D728,276 S * 5/2015 Jensen D5/56
D742,660 S * 11/2015 Oberwelz D6/606

D746,082 S * 12/2015 Harmening D6/605
D746,084 S * 12/2015 Jensen D6/606
D753,934 S * 4/2016 Daeseleire D6/605
D762,079 S * 7/2016 Oberwelz D6/606
D784,733 S * 4/2017 Bell D6/605
D785,972 S * 5/2017 Oberwelz D6/602
D802,964 S * 11/2017 Alletto, Jr. D6/605
D804,221 S * 12/2017 Alletto, Jr. D6/605
D804,854 S * 12/2017 Bunnell D6/606
D804,856 S * 12/2017 Desodt D6/606
D804,857 S * 12/2017 Desodt D6/606
D804,858 S * 12/2017 Desodt D6/606
D804,859 S * 12/2017 Desodt D6/606
D805,327 S * 12/2017 Desodt D6/606
D805,328 S * 12/2017 Desodt D6/606
D811,127 S * 2/2018 Bell D6/605
D811,128 S * 2/2018 Bell D6/605
D820,006 S * 6/2018 Desodt D6/606
D820,618 S * 6/2018 Desodt D6/606
D833,178 S * 11/2018 Desodt D6/606
D833,179 S * 11/2018 Desodt D6/606
D833,180 S * 11/2018 Desodt D6/606
D862,122 S * 10/2019 Morrison D6/605
D862,123 S * 10/2019 Morrison D6/605
D862,934 S * 10/2019 Pfister D6/605
D864,613 S * 10/2019 Pearce D6/605
D864,614 S * 10/2019 Morrison D6/605
D864,615 S * 10/2019 Morrison D6/605
D864,616 S * 10/2019 Pfister D6/605
D864,617 S * 10/2019 Pfister D6/605
D864,618 S * 10/2019 Pfister D6/605
D865,399 S * 11/2019 Pfister D6/605
D865,400 S * 11/2019 Williams D6/605
D865,401 S * 11/2019 Pfister D6/605
D865,402 S * 11/2019 Morrison D6/605
D865,403 S * 11/2019 Morrison D6/605

* cited by examiner

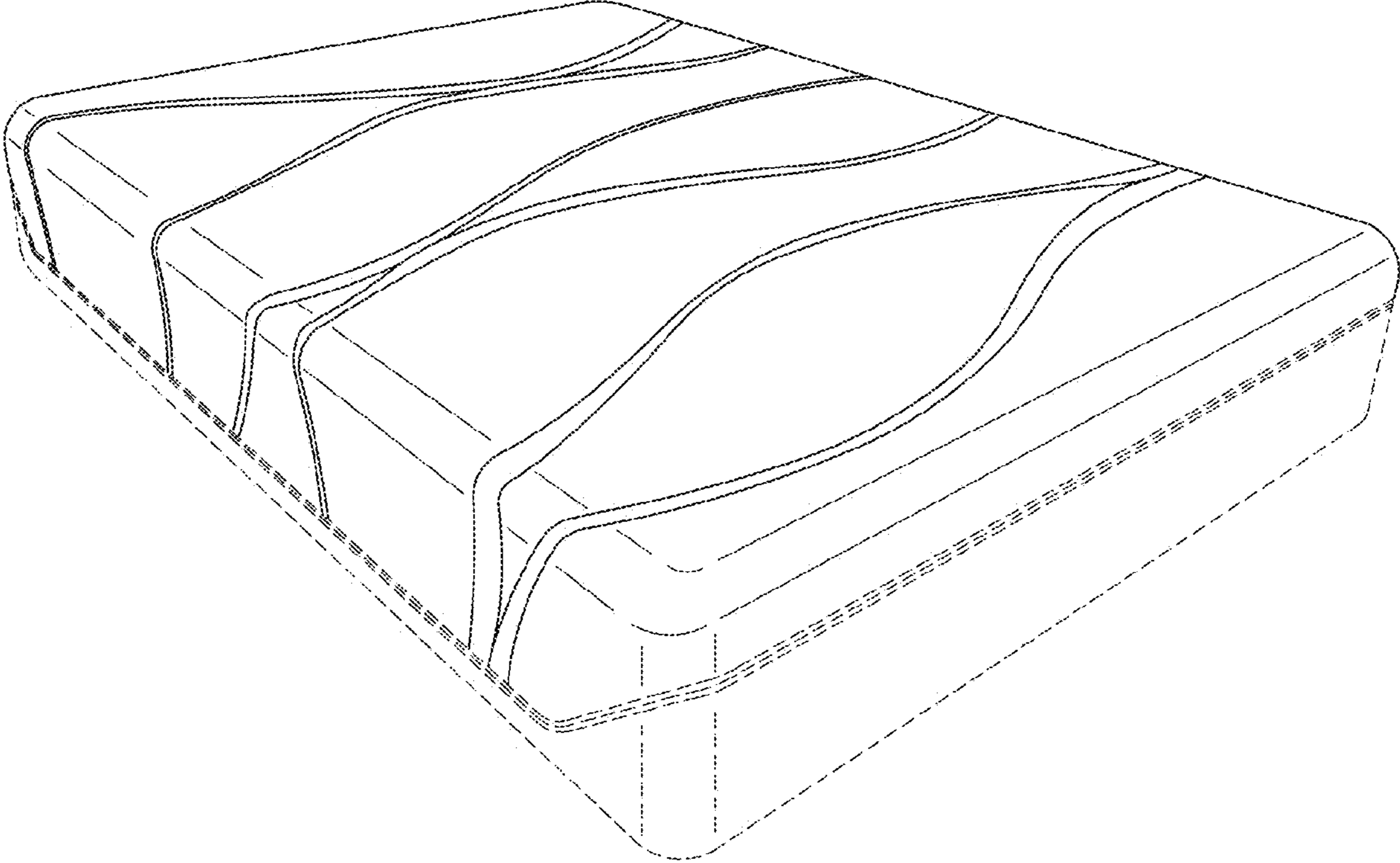


FIG. 1

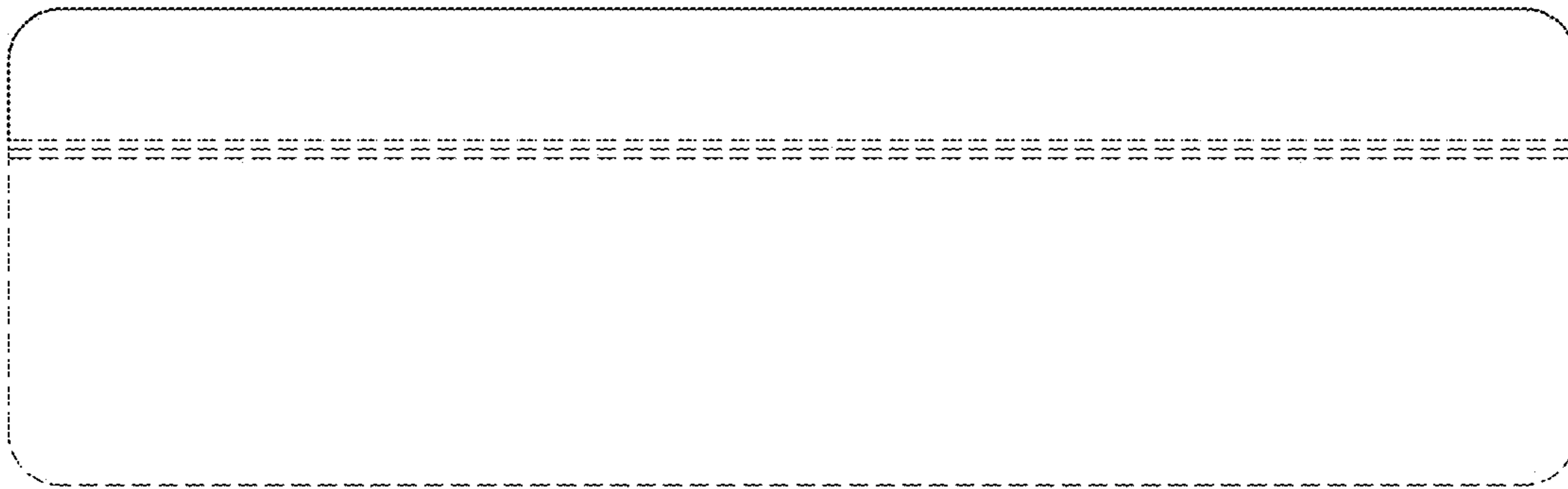


FIG. 2

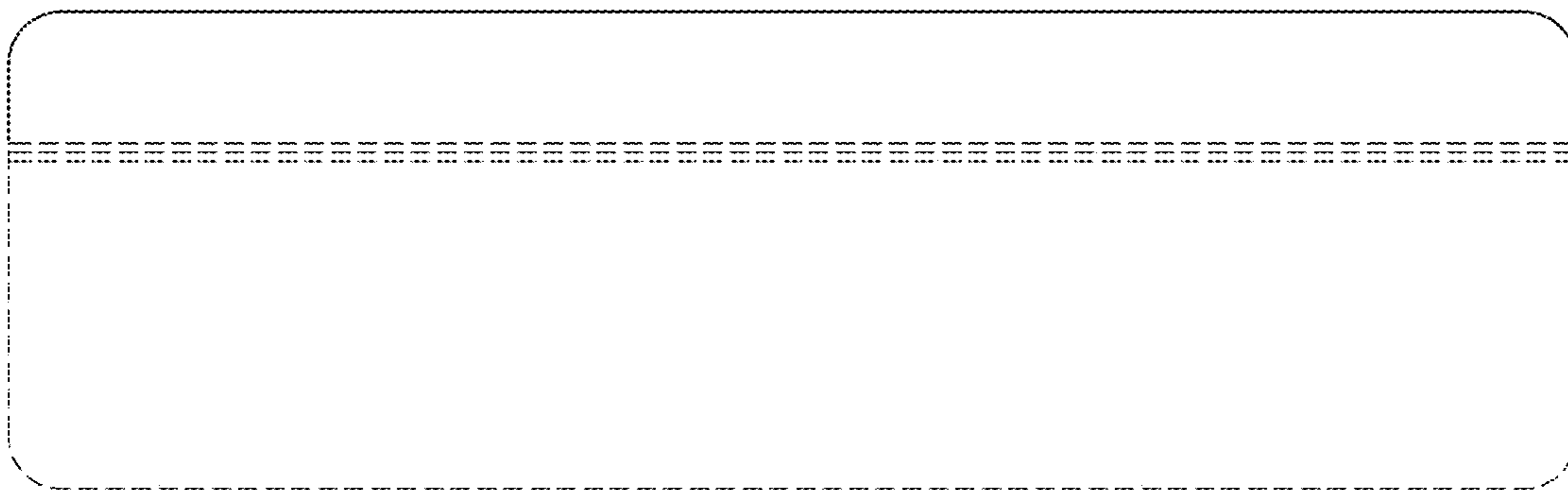


FIG. 3

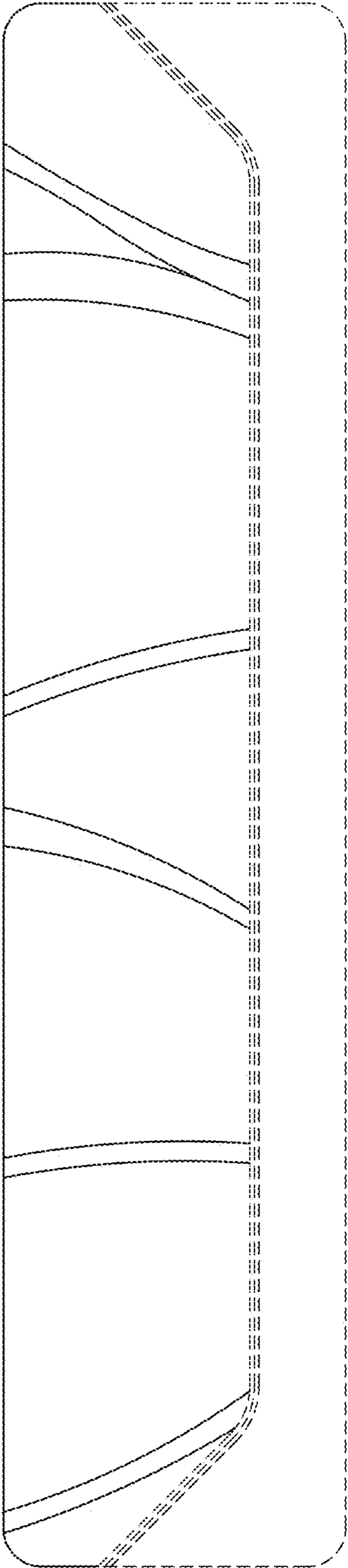


FIG. 4

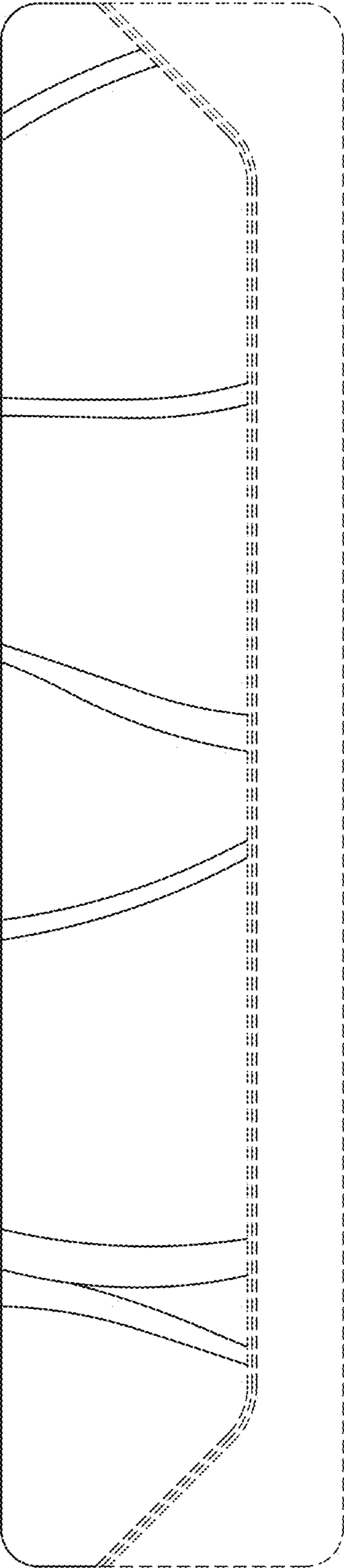


FIG. 5

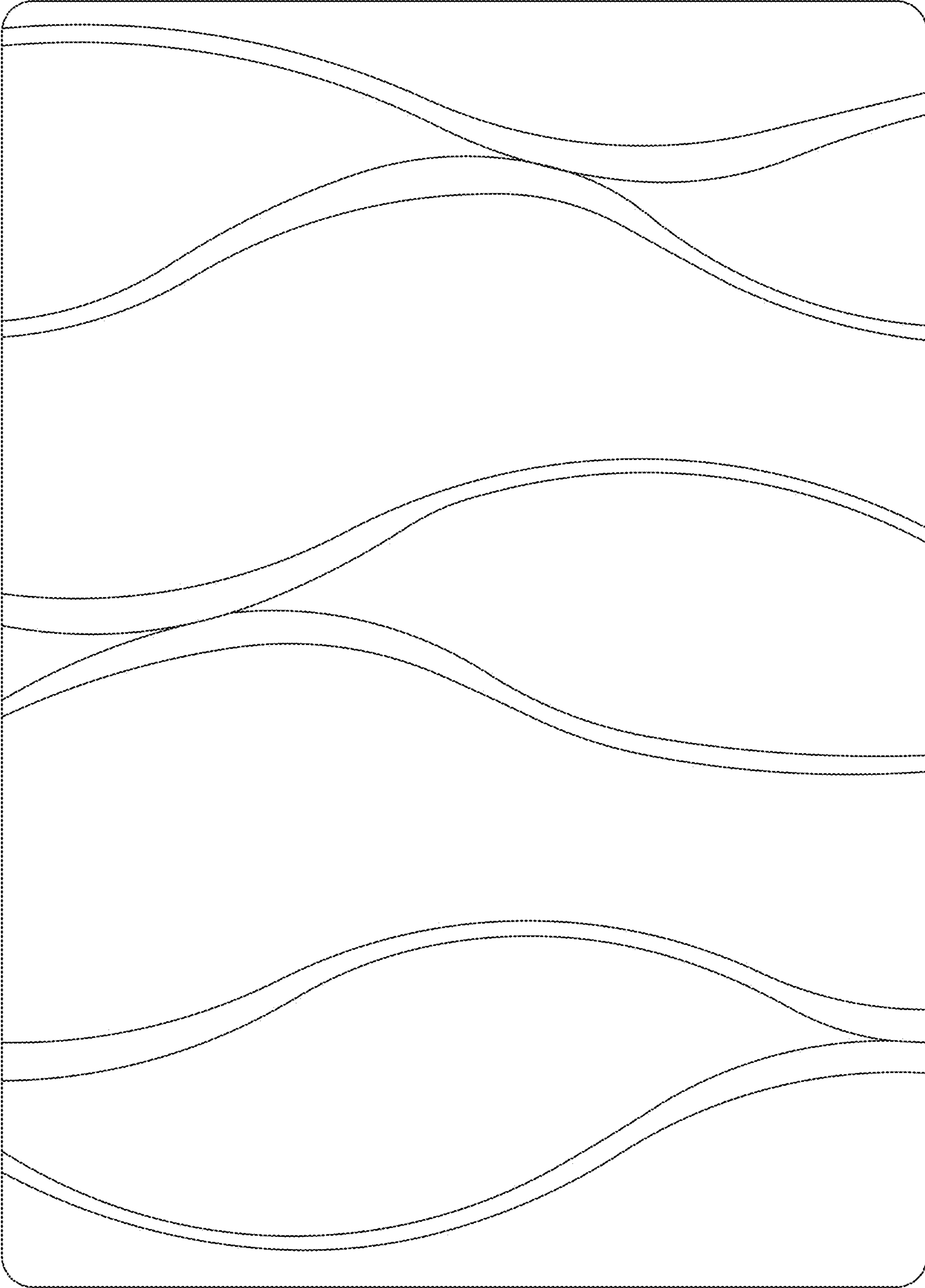


FIG. 6



FIG. 7