



US00D898465S

(12) **United States Design Patent** (10) **Patent No.:** **US D898,465 S**  
**Morin et al.** (45) **Date of Patent:** **\*\* Oct. 13, 2020**

(54) **FOOT COVERING FOR MATTRESS**

**DESCRIPTION**

(71) Applicant: **CLOTH IN A BOX**, Mirabel (CA)  
(72) Inventors: **Karine Morin**, Mirabel (CA); **Teresa D'Amore**, Montreal (CA)  
(73) Assignee: **CLOTH IN A BOX**, Québec, QC (CA)  
(\*\*) Term: **15 Years**  
(21) Appl. No.: **29/607,738**  
(22) Filed: **Jun. 15, 2017**  
(51) **LOC (12) Cl.** ..... **06-99**  
(52) **U.S. Cl.**  
USPC ..... **D6/606**  
(58) **Field of Classification Search**  
USPC ..... D6/333, 349, 355, 375, 388, 512, 563,  
D6/564, 595, 596, 601, 603, 604, 605,  
(Continued)

(56) **References Cited**

**U.S. PATENT DOCUMENTS**

2,850,617 A \* 9/1958 Coldren ..... H05B 3/342  
219/529  
3,654,646 A \* 4/1972 McMahon, Jr. .... A47C 21/024  
5/482

(Continued)

**OTHER PUBLICATIONS**

HOT Alpha soft foot Pocket bed Pad, earliest review date:unknown, [online], [site visited Mar. 15, 2019]. Available from Internet, <URL: <https://global.rakuten.com/en/store/lifetech/item/16100067/>> (Year: 2019).\*

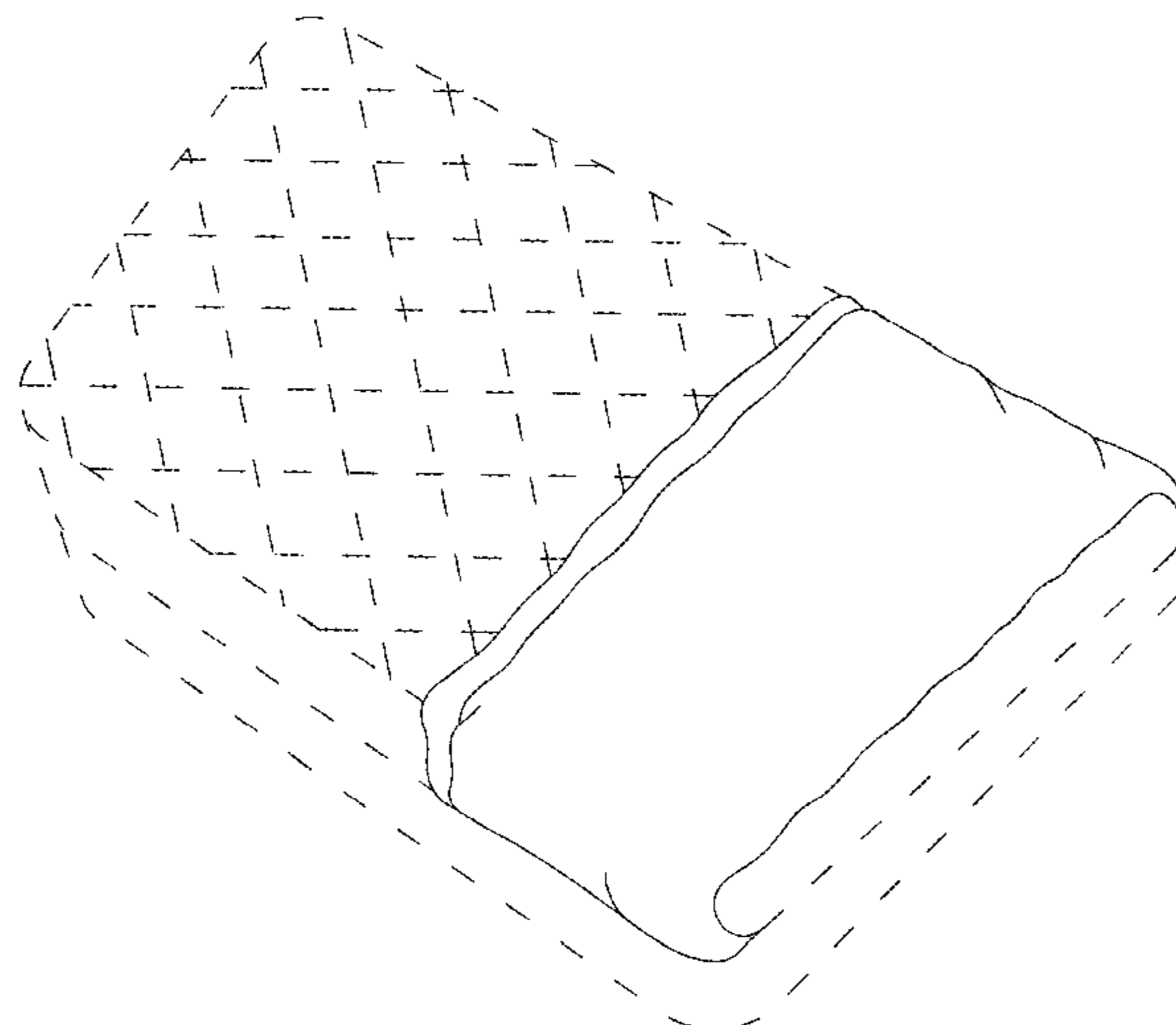
*Primary Examiner* — Sanjeev Paul  
(74) *Attorney, Agent, or Firm* — Praxis

(57) **CLAIM**

The ornamental design for a foot covering for mattress, as shown and described.

FIG. 1 is a top and rear perspective view of the foot covering in accordance with a first embodiment of the Design mounted to a mattress;  
FIG. 2 is a right side view of the foot covering of FIG. 1 mounted to a mattress;  
FIG. 3 is a right side view of the foot covering of FIG. 1 mounted to a mattress;  
FIG. 4 is a top and rear perspective view of the foot covering of FIG. 1 in a mattress mounting position;  
FIG. 5 is a top and front perspective view of the foot covering of FIG. 1 in a mattress mounting position;  
FIG. 6 is a top plan view of the foot covering of FIG. 1 in a flat position;  
FIG. 7 a bottom plan view of the foot covering of FIG. 1 in a flat position;  
FIG. 8 is a right side view of the foot covering of FIG. 1 in a flat position;  
FIG. 9 is a left side view of the foot covering of FIG. 1 in a flat position;  
FIG. 10 is a front view of the foot covering of FIG. 1 in a flat position;  
FIG. 11 is a rear view of the foot covering of FIG. 1 in a flat position;  
FIG. 12 is a front view of the foot covering of FIG. 1 in a partially open position;  
FIG. 13 is a partial, top and rear perspective view of the foot covering of FIG. 1 mounted to a mattress and in its environment; and,  
FIG. 14 is a top and rear perspective view of the foot covering in accordance with a second embodiment of the Design mounted to a mattress.  
The ornamental Design which is claimed is shown in solid line. The broken lines form no part of the Design. The mattress shown in the Figures in broken lines is not part of the Design. The partial view of FIG. 13 shows the Design in its environment, the environment is represented in broken lines. The short wavy lines on the Design form no part of the Design and are provided to illustrate random wrinkles on the material of the foot covering.

**1 Claim, 7 Drawing Sheets**



(58) **Field of Classification Search**

USPC ..... D6/611, 707, 715, 716, 716.1; 5/401,  
 5/411, 420, 426, 630, 631, 632, 633, 635,  
 5/636, 646, 652, 652.1, 655, 703, 730  
 CPC .. A47G 9/0207; A47G 9/0215; A47G 9/0223;  
 A47G 9/023; A47G 9/0238; A47G  
 9/0246; A47G 9/0253; A47G 9/0261;  
 A47G 9/06; A47G 9/062; A47G 9/066;  
 A47G 9/08; A47G 9/083; A47G 9/086;  
 A47G 9/02; A47G 9/04; A47G 9/0292;  
 A47G 9/00; A47G 9/10; A47G 9/1009;  
 A47G 9/1027; A47G 9/1045; A47G  
 9/1063; A47G 9/1072; A47G 9/1081;  
 A47G 2009/0276; A47G 2009/001; A47G  
 2009/002; A47G 2009/003; A47G  
 2009/005

See application file for complete search history.

(56) **References Cited**

U.S. PATENT DOCUMENTS

3,824,640 A \* 7/1974 Golden ..... A47G 9/0284  
 5/485

4,903,360 A \* 2/1990 Friedman ..... A47G 9/02  
 5/485  
 4,964,184 A \* 10/1990 Lewis ..... A47G 9/02  
 5/496  
 5,497,521 A \* 3/1996 Waits ..... A47C 21/048  
 2/69.5  
 5,642,540 A \* 7/1997 Culver ..... A47C 21/06  
 297/228.1  
 6,253,398 B1 \* 7/2001 Yim ..... A47C 31/105  
 5/482  
 6,381,778 B1 \* 5/2002 Peterson ..... A47C 27/005  
 5/484  
 6,845,532 B1 \* 1/2005 Rosenblum ..... A47C 27/008  
 40/661  
 D512,869 S \* 12/2005 Green-Law ..... D6/596  
 7,043,782 B2 \* 5/2006 Batchler ..... A47G 9/066  
 2/69.5  
 D713,655 S \* 9/2014 Blatt ..... D6/596  
 D829,022 S \* 9/2018 McAfee  
 D871,110 S \* 12/2019 Atkinson ..... D6/606  
 D873,584 S \* 1/2020 Monfalcone, III ..... D6/606  
 2020/0060446 A1 \* 2/2020 Lemieux ..... A47G 9/023  
 2020/0060447 A1 \* 2/2020 Fravel ..... A47G 9/0261

\* cited by examiner

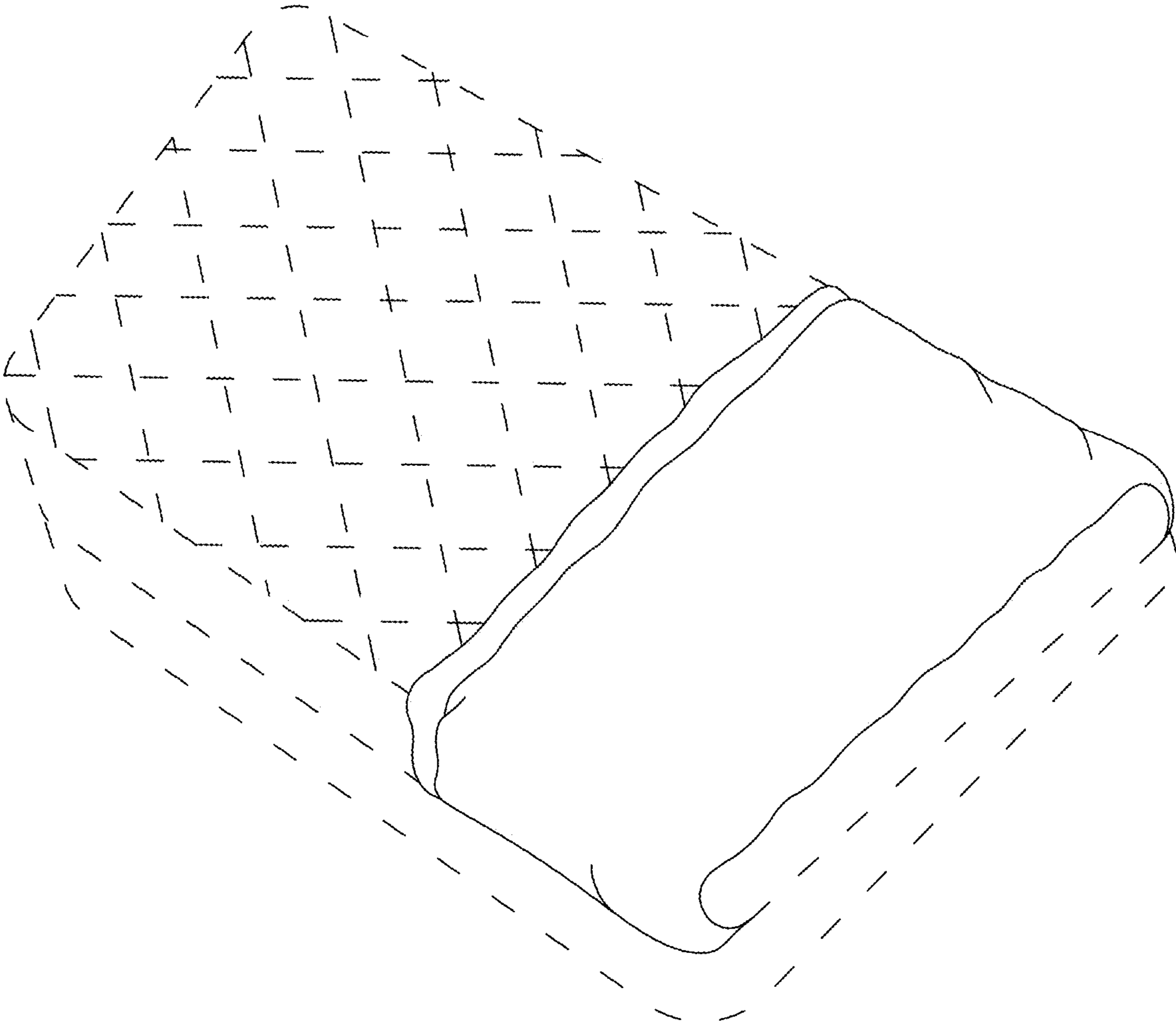


FIG. 1

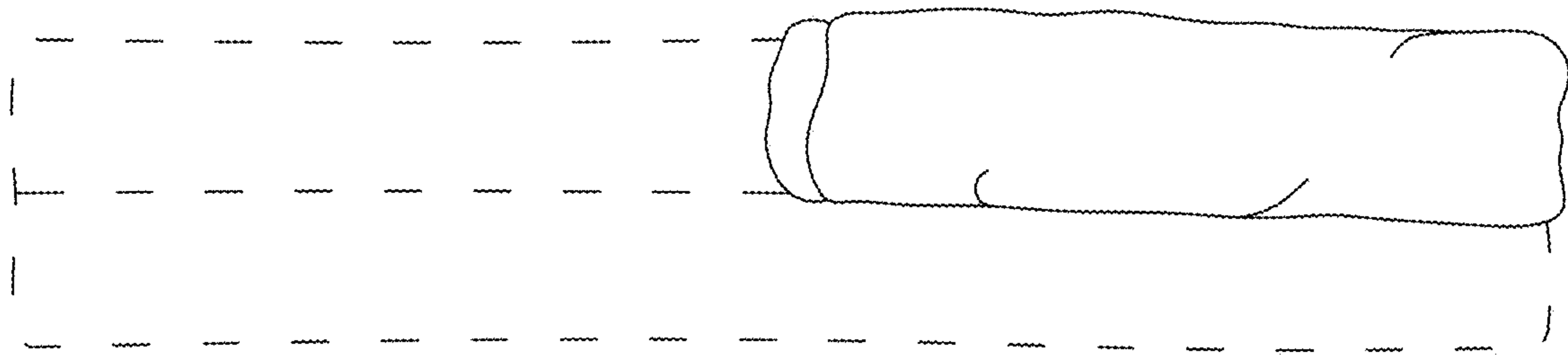


FIG. 2

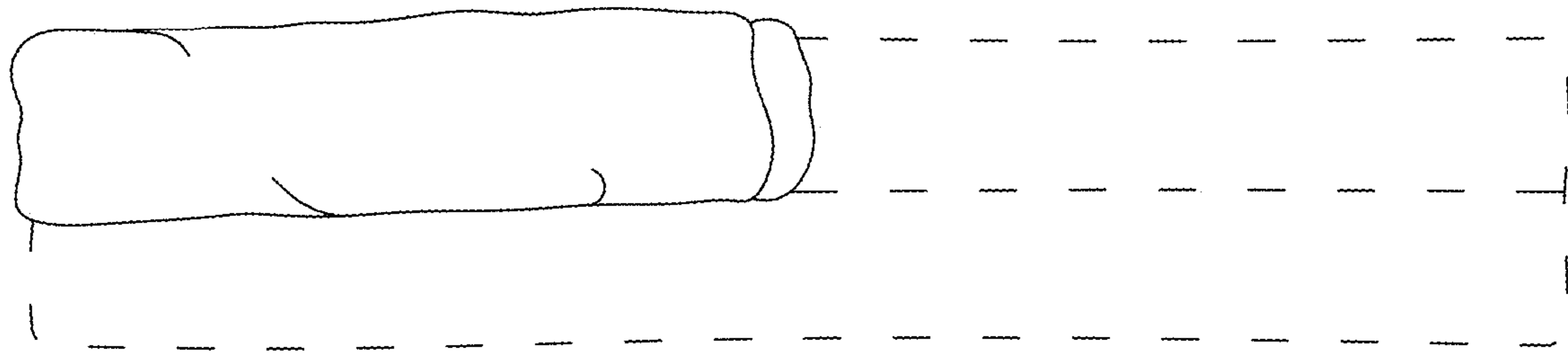


FIG. 3

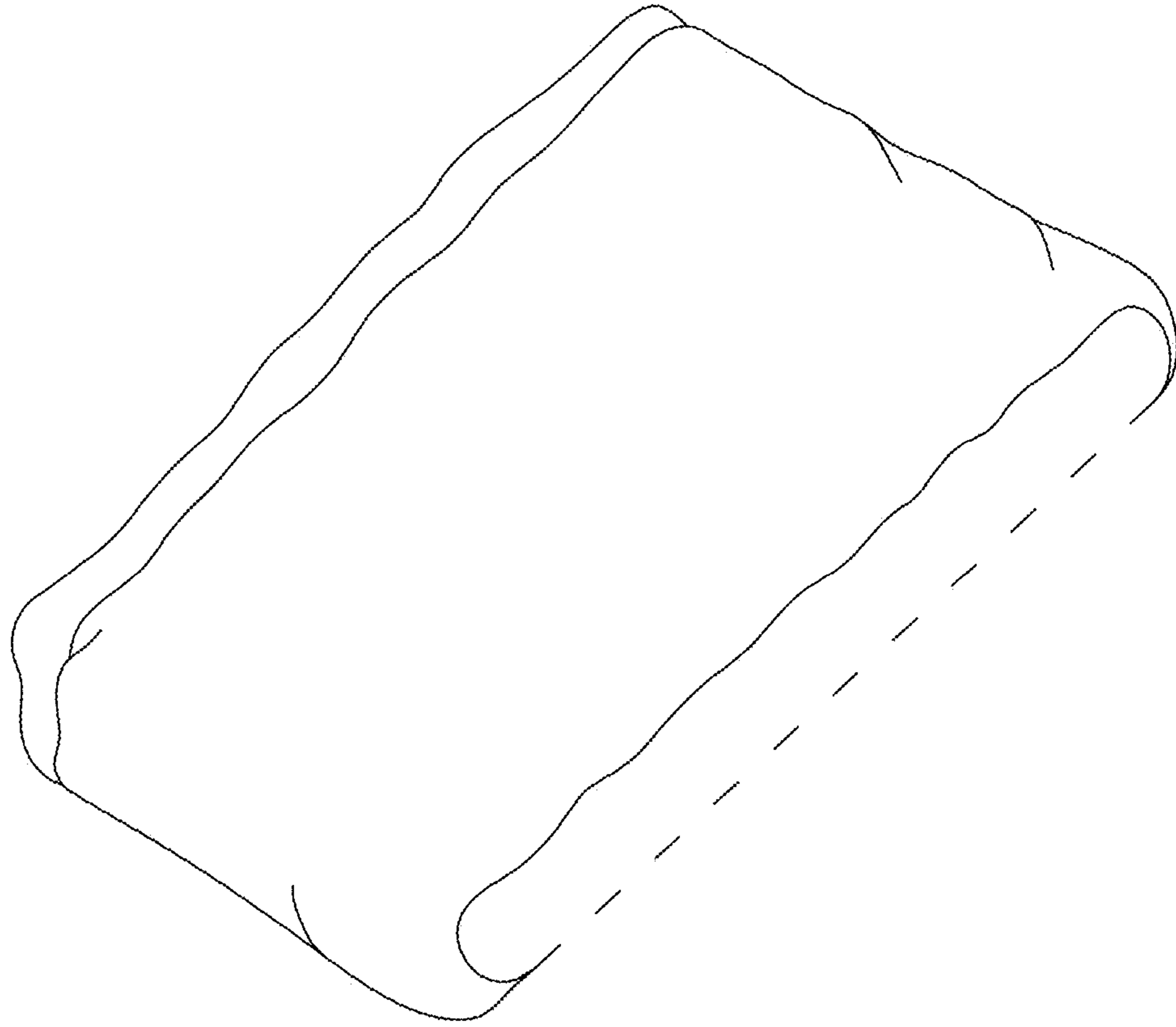


FIG. 4

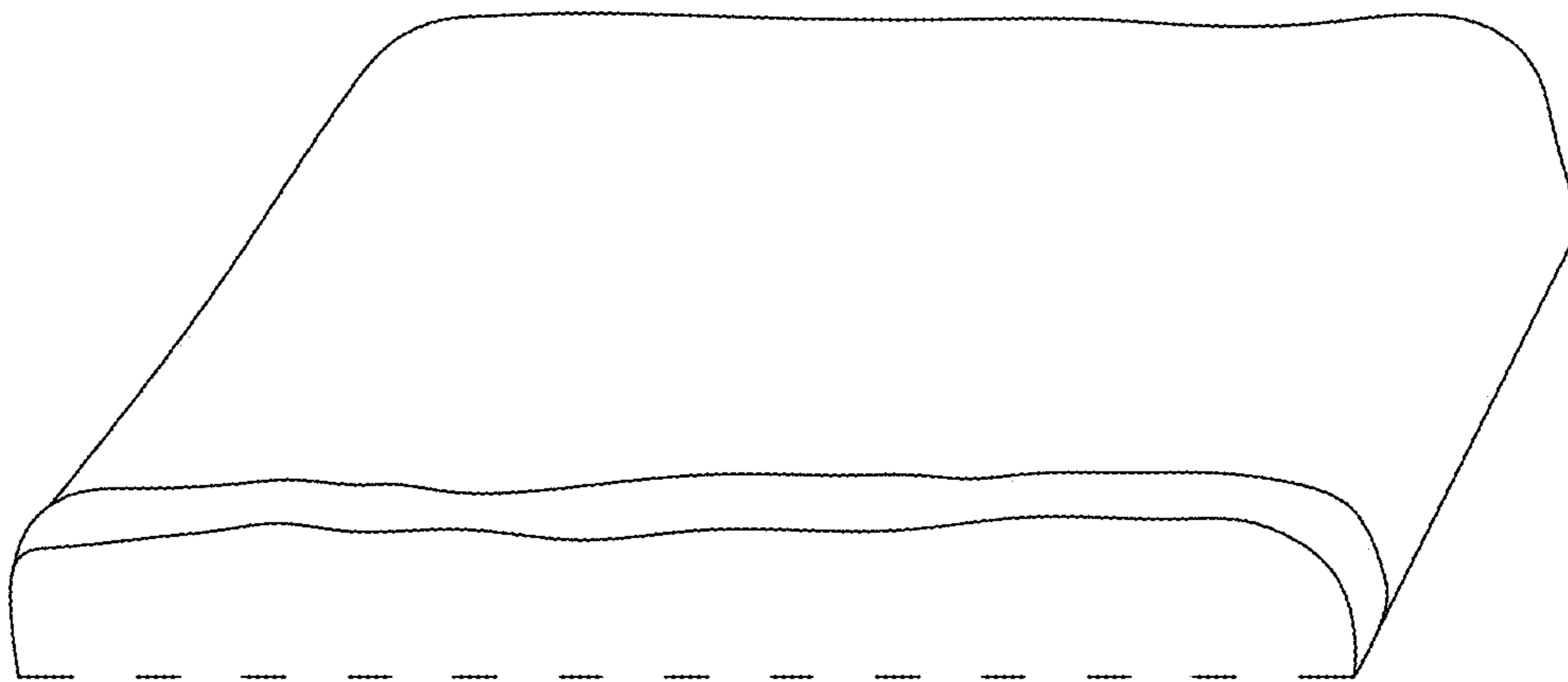


FIG. 5

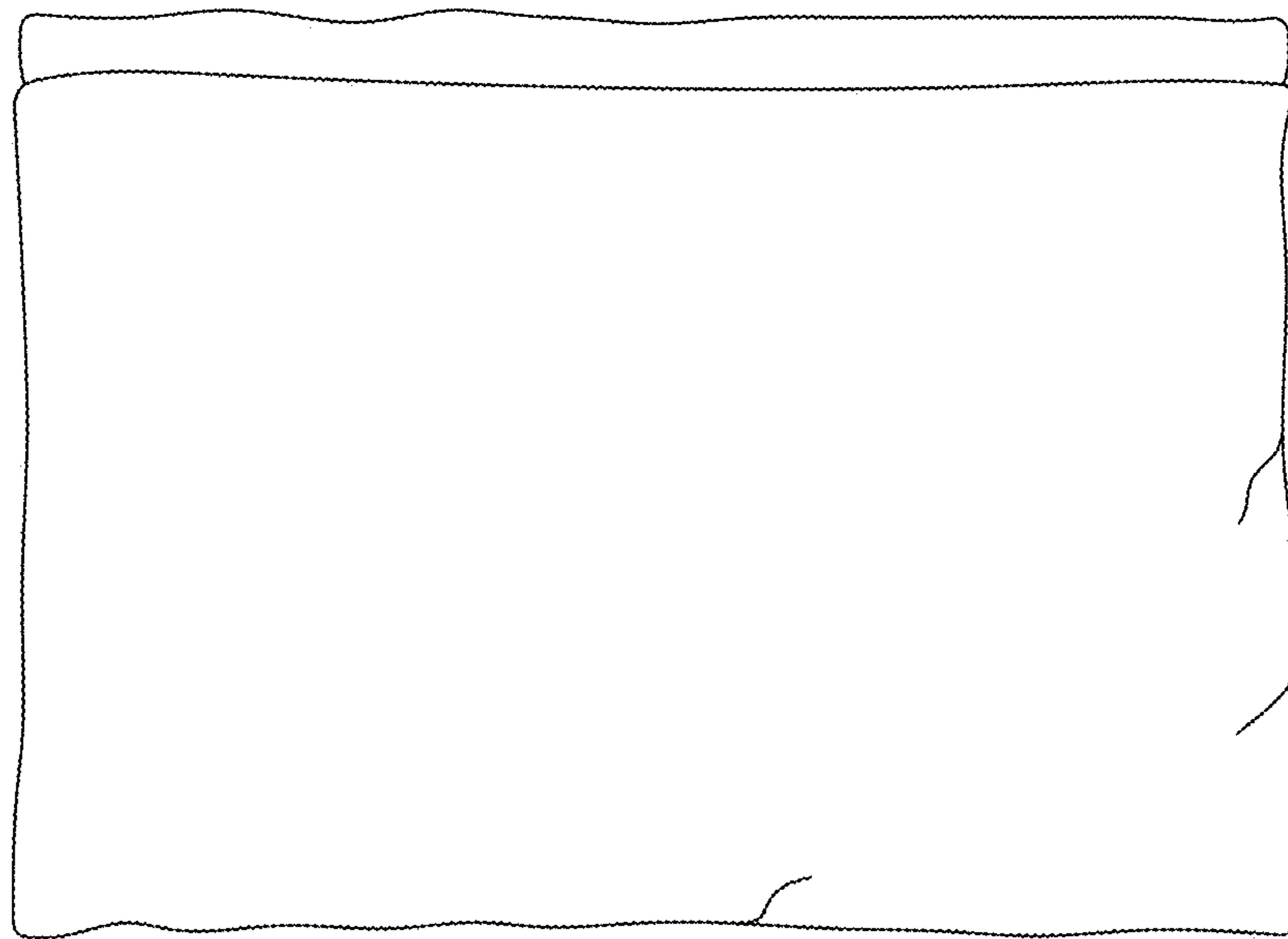


FIG. 6

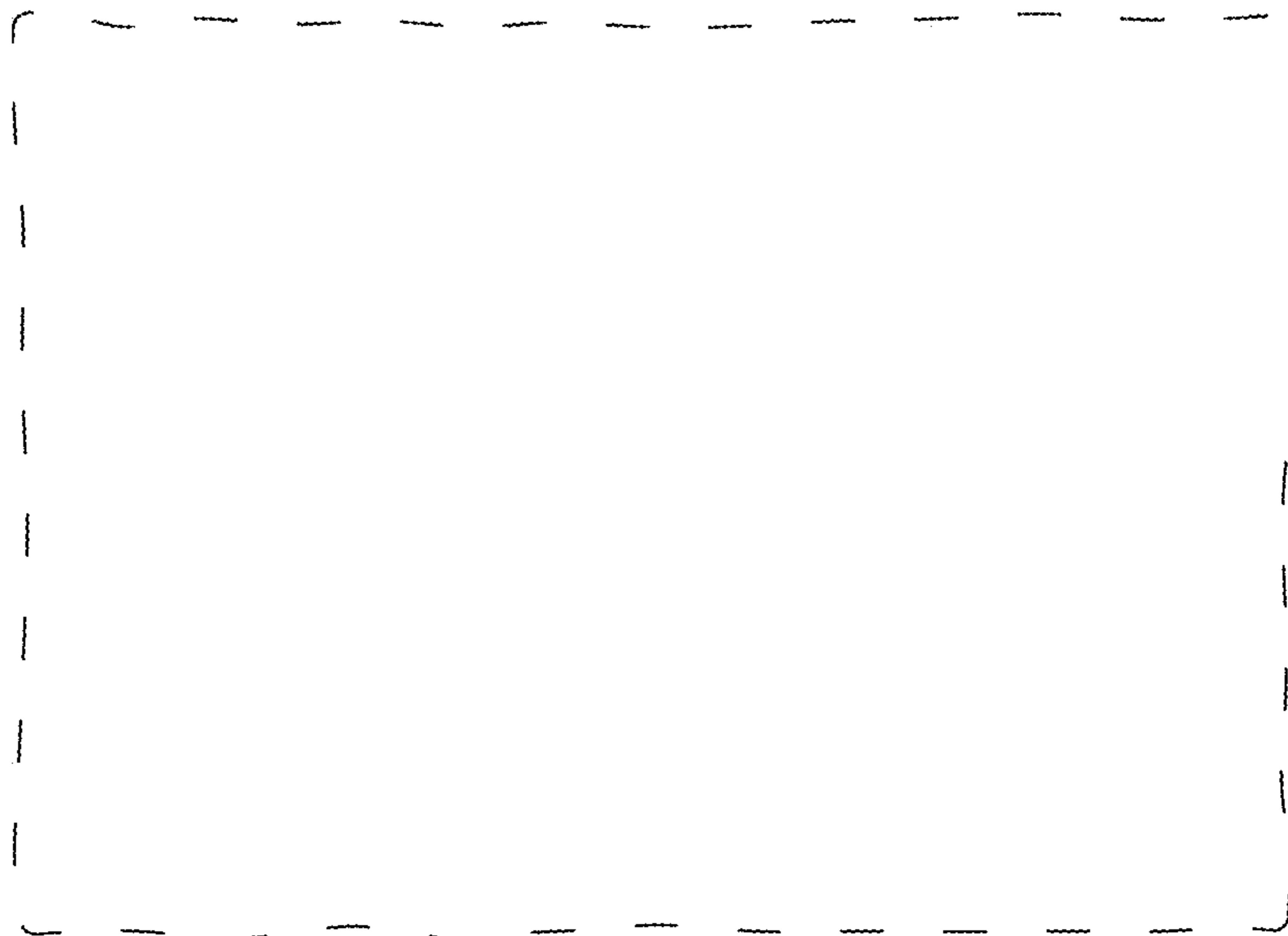


FIG. 7

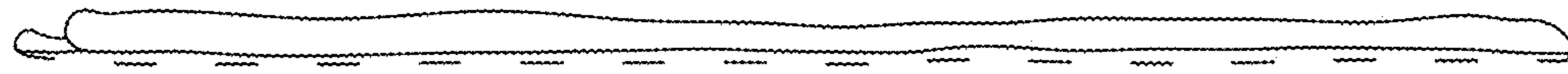


FIG. 8

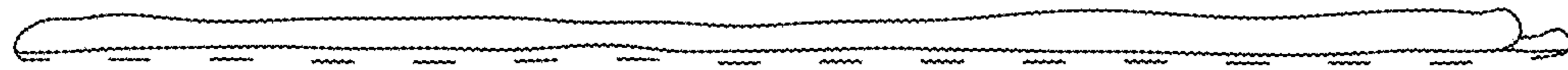


FIG. 9

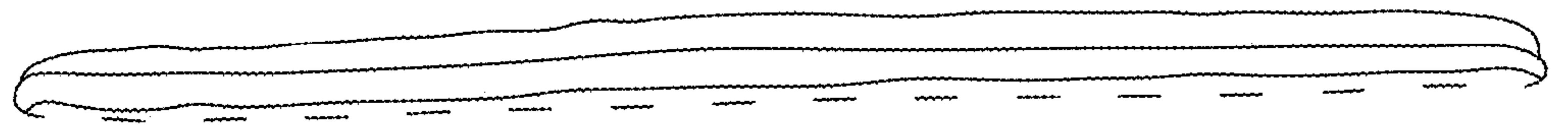


FIG. 10

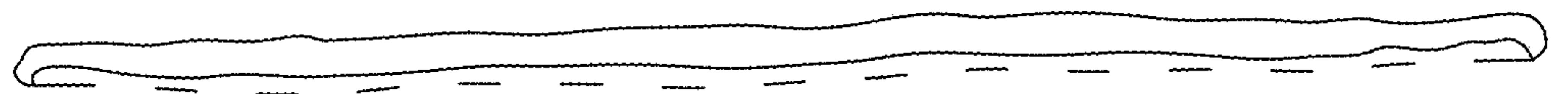


FIG. 11

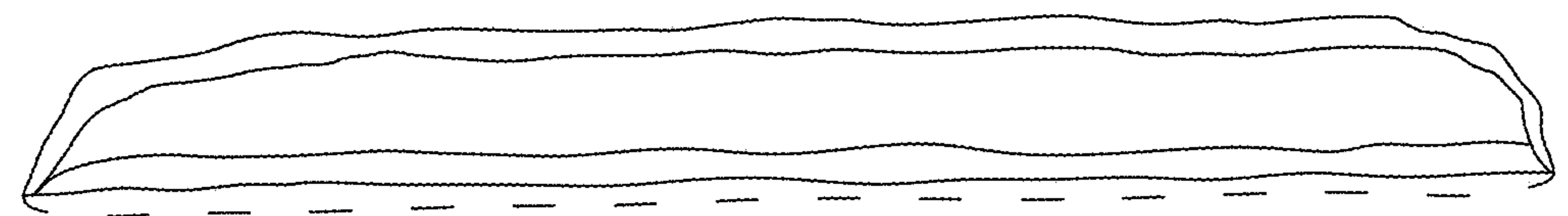


FIG. 12

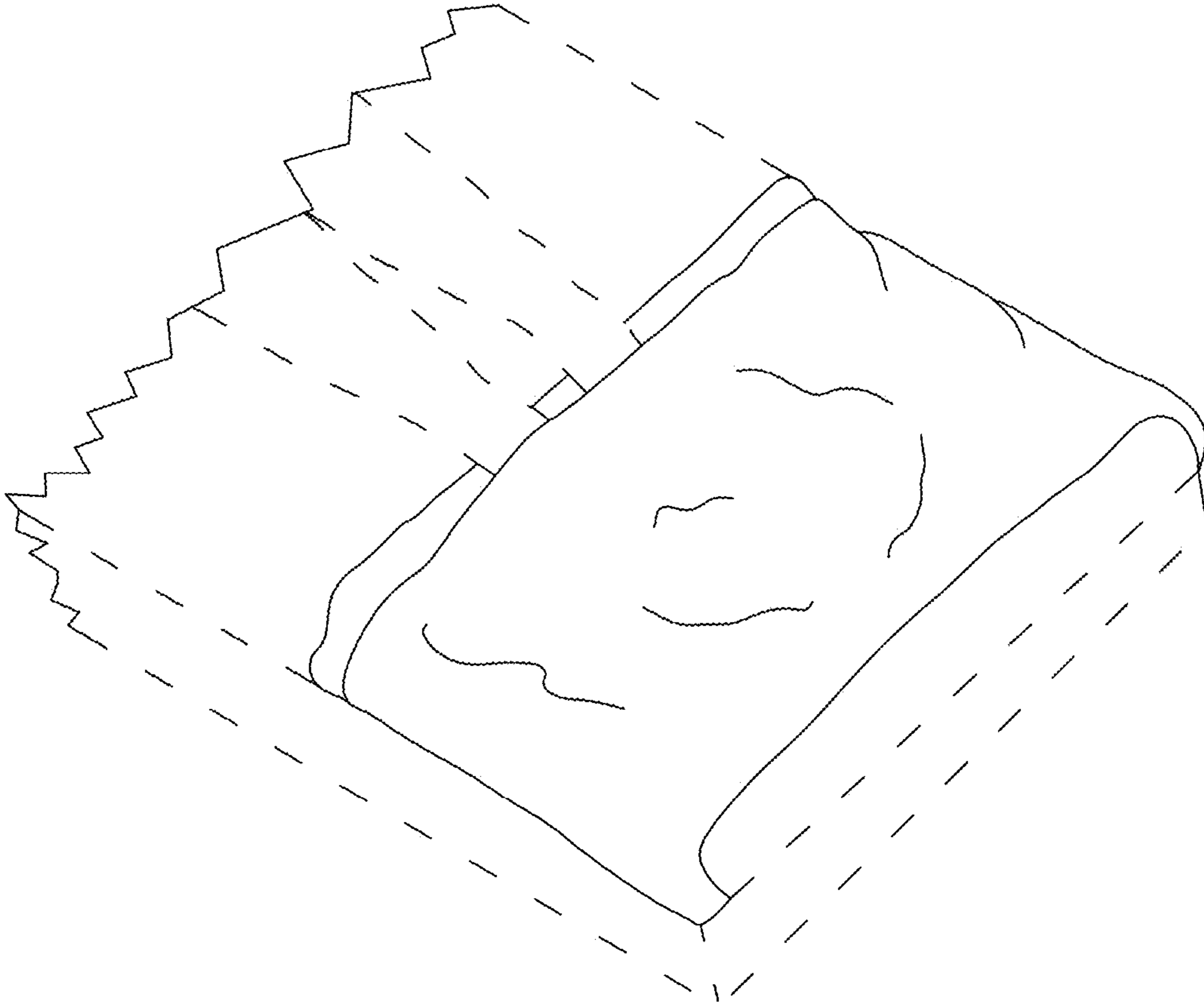


FIG. 13



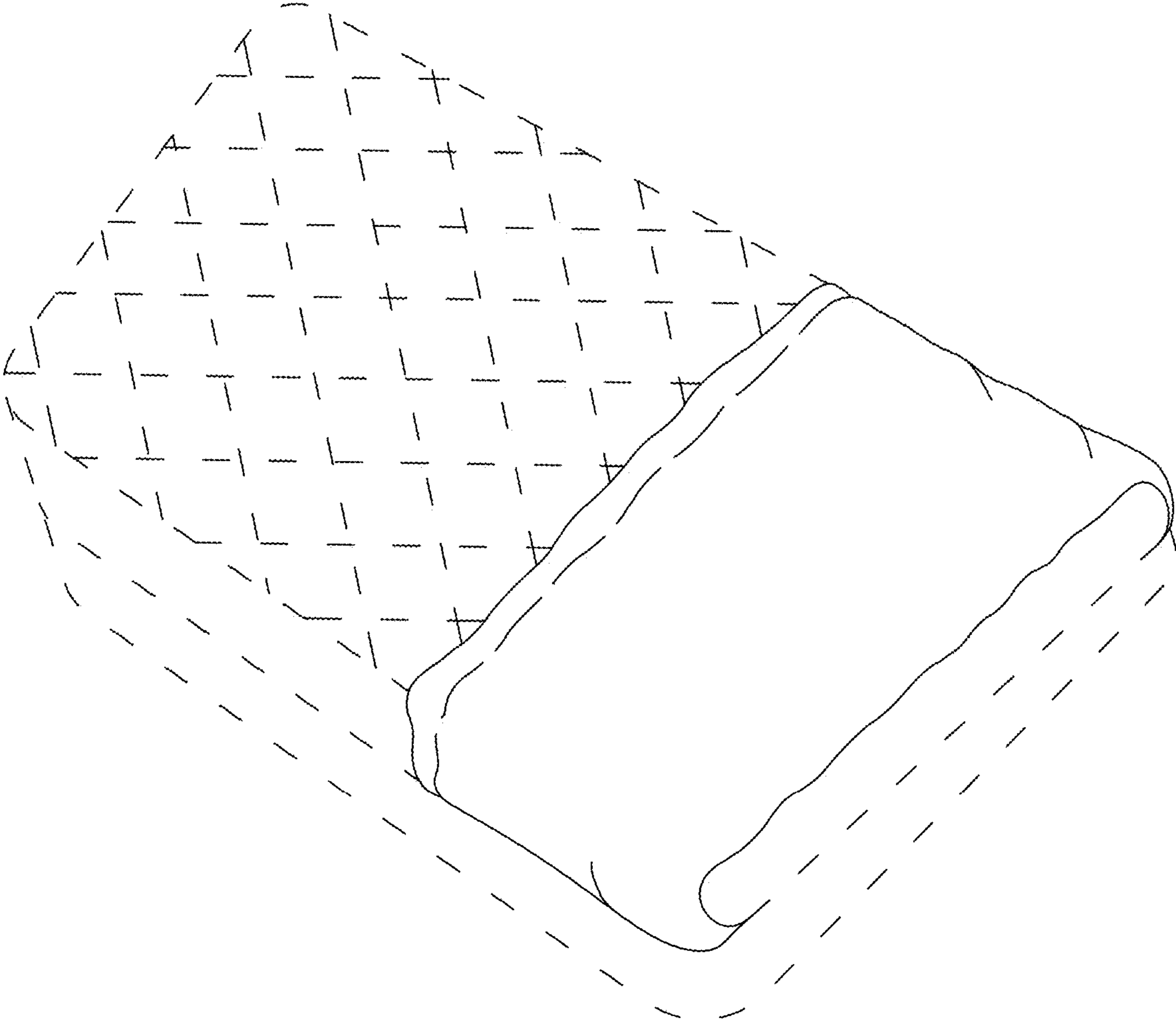


FIG. 14