

US00D898461S

(12) **United States Design Patent**
Zhang

(10) **Patent No.:** **US D898,461 S**

(45) **Date of Patent:** **** Oct. 13, 2020**

(54) **INFLATABLE SLEEPING PAD**

(71) Applicant: **Debao Zhang**, Zhejiang Province (CN)

(72) Inventor: **Debao Zhang**, Zhejiang Province (CN)

(**) Term: **15 Years**

(21) Appl. No.: **29/696,489**

(22) Filed: **Jun. 28, 2019**

(51) **LOC (12) Cl.** **06-09**

(52) **U.S. Cl.**
USPC **D6/604**

(58) **Field of Classification Search**
USPC D6/333, 349, 355, 375, 388, 512, 563,
D6/564, 595-604, 611, 707, 715, 716,
D6/716.1; D24/183-185, 234; D21/803,
D21/804, 805, 809
CPC A47G 9/10; A47G 9/1009; A47G 9/1027;
A47G 9/1045; A47G 9/1063; A47G
9/1072; A47G 9/1081; A47C 27/081;
A47C 27/088

See application file for complete search history.

(56) **References Cited**

U.S. PATENT DOCUMENTS

D393,976 S * 5/1998 Loud D6/601
D419,495 S * 1/2000 Muhanna 5/706
8,211,263 B2 * 7/2012 Kim B29C 66/8242
156/285
D802,336 S * 11/2017 Shir D6/605
D830,736 S * 10/2018 Adumitresi D6/604

D885,086 S * 5/2020 Zhang D6/604
2007/0277312 A1 * 12/2007 Garrigues A47C 21/048
5/420
2011/0107521 A1 * 5/2011 Alder A47C 27/081
5/706
2013/0340164 A1 * 12/2013 Brensinger A47C 27/088
5/420
2016/0166077 A1 * 6/2016 Liu A47C 27/081
5/710

* cited by examiner

Primary Examiner — Jennifer L Rempfer

(74) *Attorney, Agent, or Firm* — WPIP Co., Ltd.

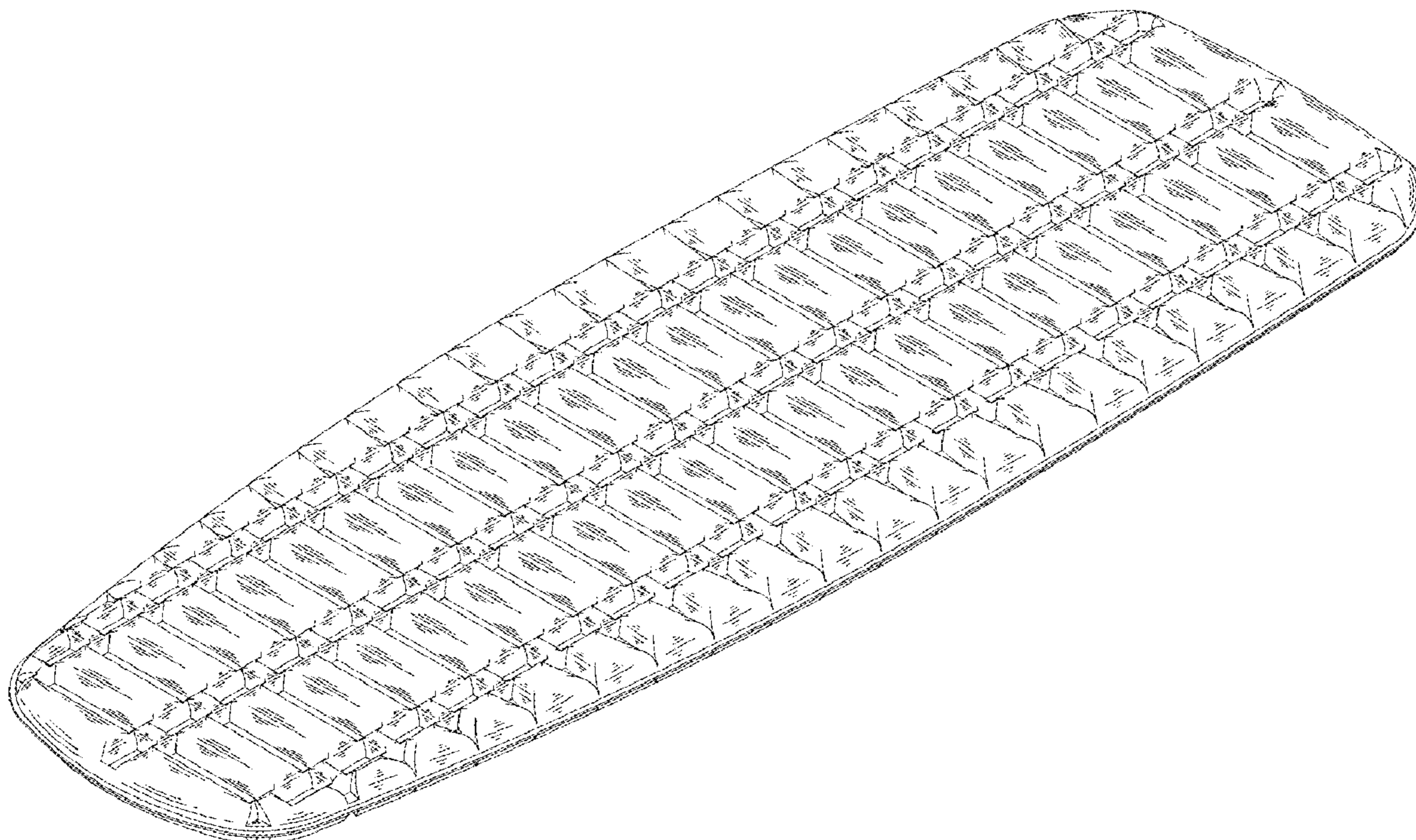
(57) **CLAIM**

The ornamental design for an inflatable sleeping pad, as shown.

DESCRIPTION

FIG. 1 is a front elevational view of an inflatable sleeping pad showing my new design;
FIG. 2 is a rear elevational view thereof;
FIG. 3 is a left side view thereof;
FIG. 4 is a right side view thereof;
FIG. 5 is a top plan view thereof;
FIG. 6 is a bottom plan view thereof;
FIG. 7 is a perspective view thereof; and,
FIG. 8 is another perspective view thereof.

1 Claim, 7 Drawing Sheets



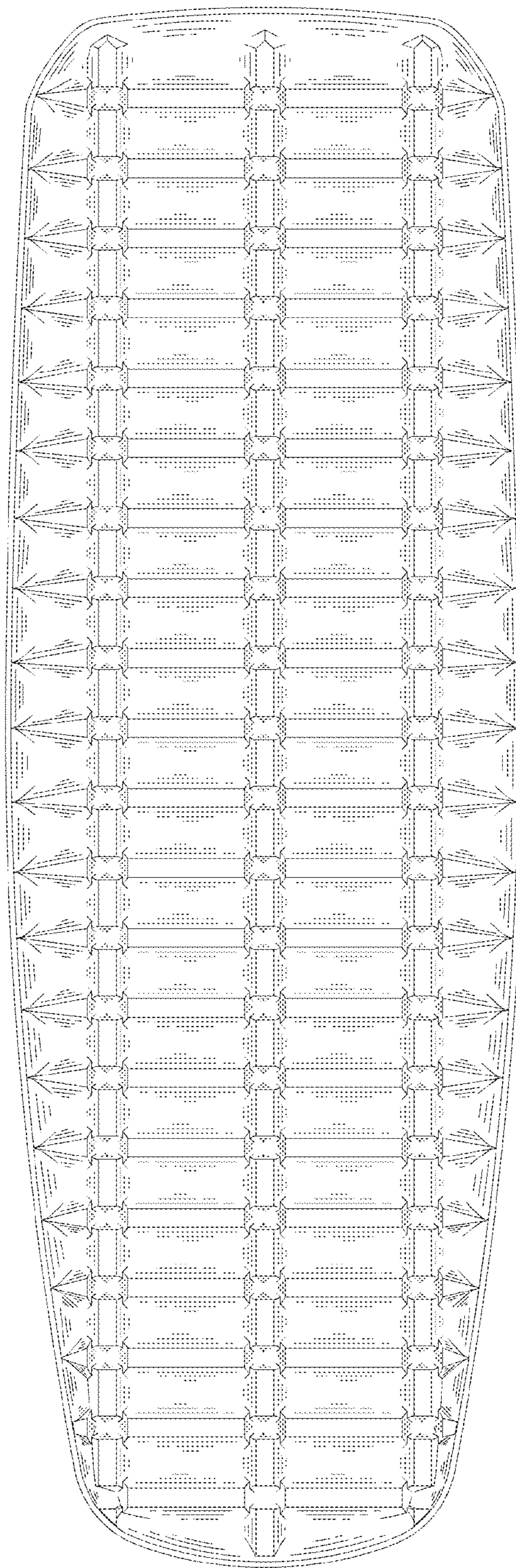


Fig. 1

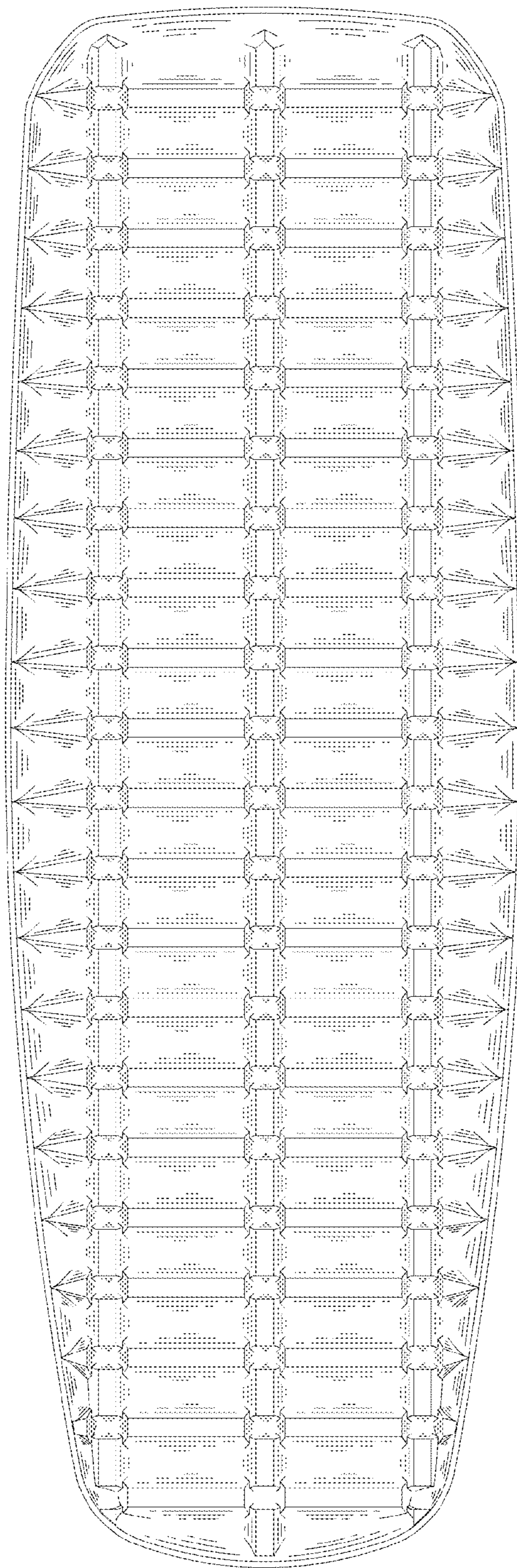


Fig. 2

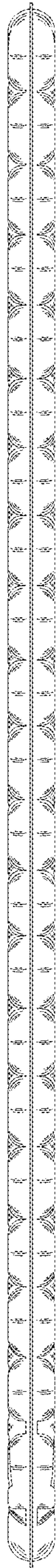


Fig. 3

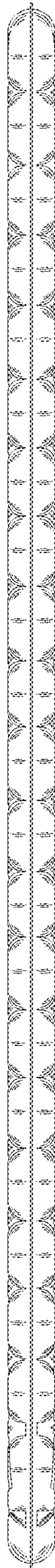


Fig. 4

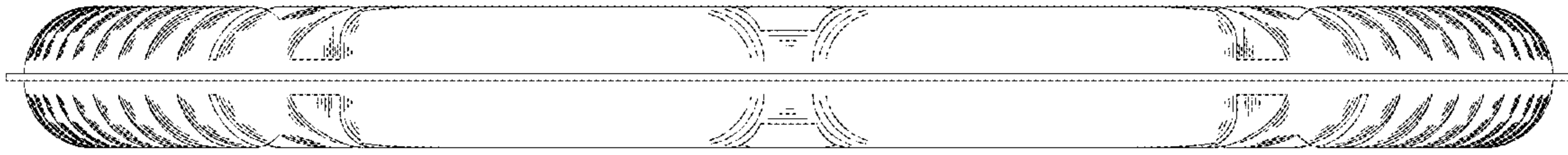


Fig. 5

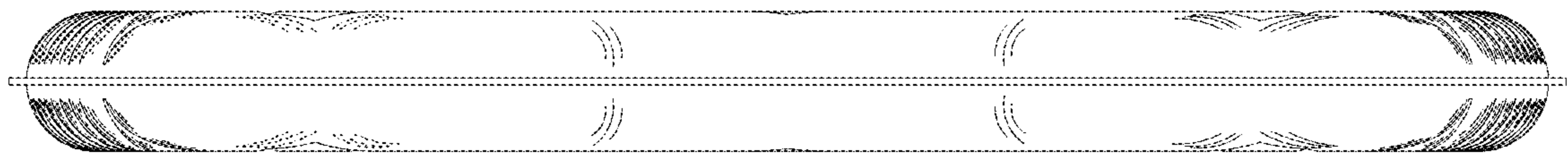


Fig. 6

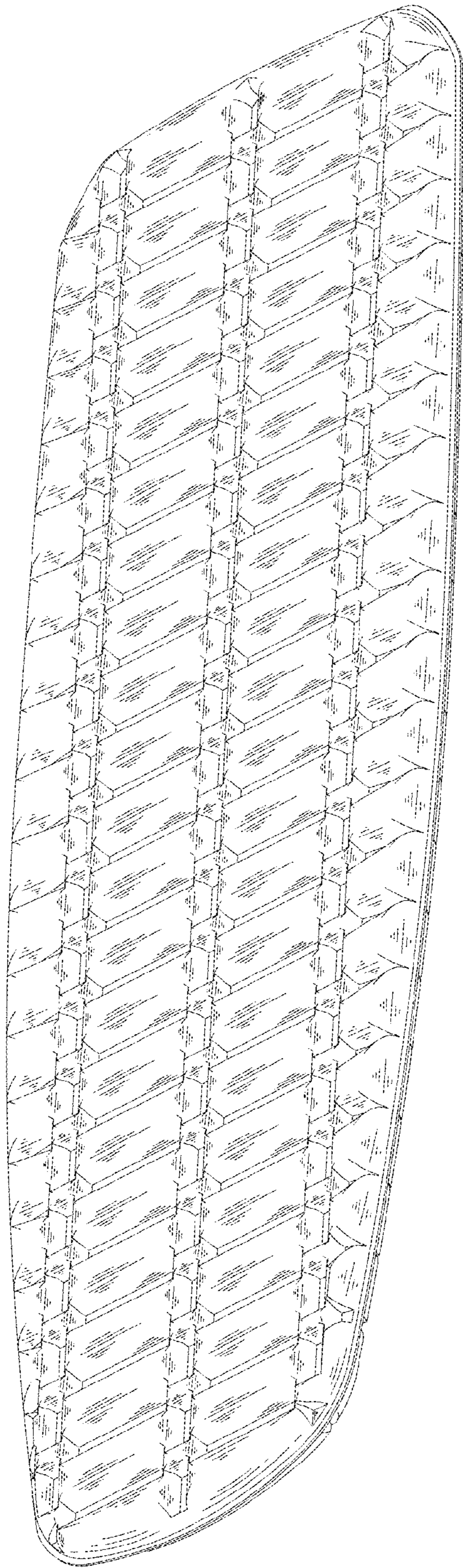


Fig. 7

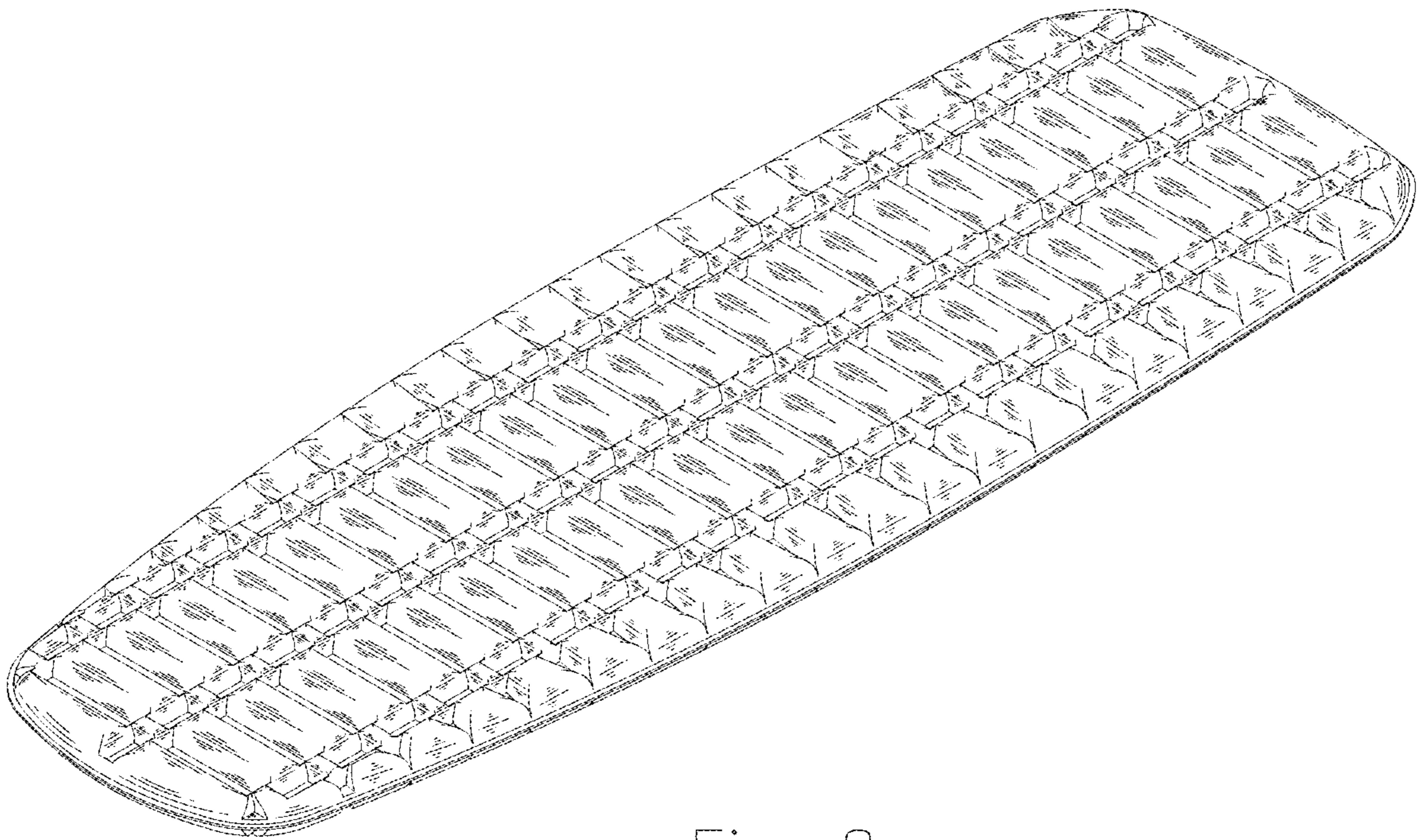


Fig. 8