



US00D898449S

(12) **United States Design Patent** (10) **Patent No.:** **US D898,449 S**
Moule (45) **Date of Patent:** **** *Oct. 13, 2020**

(54) **COMBINATION BEDSHEET AND PILLOWCASE**
(71) Applicant: **Joseph Moule**, Orange, CT (US)
(72) Inventor: **Joseph Moule**, Orange, CT (US)
(*) Notice: This patent is subject to a terminal disclaimer.
(**) Term: **15 Years**

5,996,147 A 12/1999 Trimble
6,845,532 B1 * 1/2005 Rosenblum A47C 27/008
40/661
D688,442 S * 8/2013 Lesinski D2/719
D708,868 S * 7/2014 Willoughby D6/602
D787,235 S * 5/2017 Chiang D6/608
D793,771 S 8/2017 Shea
9,924,812 B1 3/2018 Kennedy
D833,776 S * 11/2018 Casserly D6/603
D850,819 S * 6/2019 Lloyd-Caldwell D6/603
2004/0107500 A1 * 6/2004 Pigg A47G 9/086
5/413 R
2009/0077746 A1 3/2009 Wilson

(21) Appl. No.: **29/690,251**
(22) Filed: **May 7, 2019**
(51) **LOC (12) Cl.** **06-13**
(52) **U.S. Cl.**
USPC **D6/602; D6/601**
(58) **Field of Classification Search**
USPC D6/382, 595, 596-605, 606, 607
CPC A47C 23/00; A47C 23/06; A47C 23/061;
A47C 23/062; A47C 23/66; A47C
23/067; A47C 23/068; A47C 19/02
See application file for complete search history.

FOREIGN PATENT DOCUMENTS

FR 2800255 5/2001

* cited by examiner

Primary Examiner — Jennifer L Rempfer

(57) **CLAIM**

I claim the ornamental design for a combination bed sheet and pillowcase, as shown and described.

DESCRIPTION

FIG. 1 is a top view of the combination bed sheet and pillowcase.

FIG. 2 is a bottom view of the claimed design.

FIG. 3 is a left side view of the claimed design.

FIG. 4 is a right side view of the claimed design.

FIG. 5 is a front view of the claimed design.

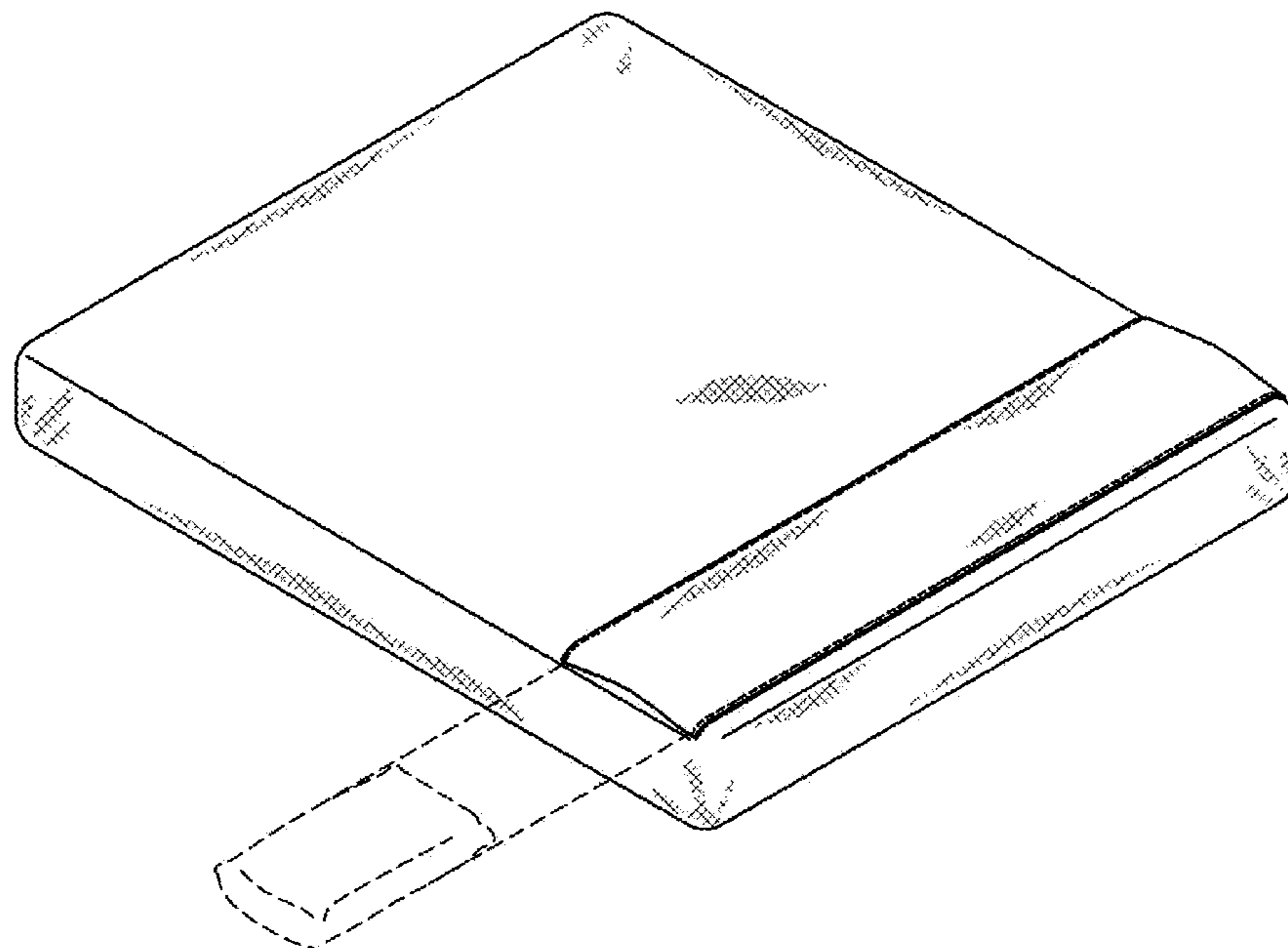
FIG. 6 is a rear view of the claimed design; and,

FIG. 7 is a perspective view of the claimed design.

The long dash broken lines in FIG. 7 represent environmental subject matter showing claim in use and form not part of the claim. The short dot-dot broken lines represent claimed stitching.

(56) **References Cited**
U.S. PATENT DOCUMENTS
2,264,471 A * 12/1941 Glenn A47G 9/062
5/419
2,462,780 A * 2/1949 Schiller A47G 9/02
5/485
3,148,388 A 9/1964 Espersen
3,689,947 A * 9/1972 Wolf A47G 9/1045
5/419
4,014,055 A 3/1977 Torres
4,231,125 A * 11/1980 Tittl A47G 9/062
5/419
D313,721 S * 1/1991 Parker D6/605
D383,634 S * 9/1997 Selph D6/596

1 Claim, 4 Drawing Sheets



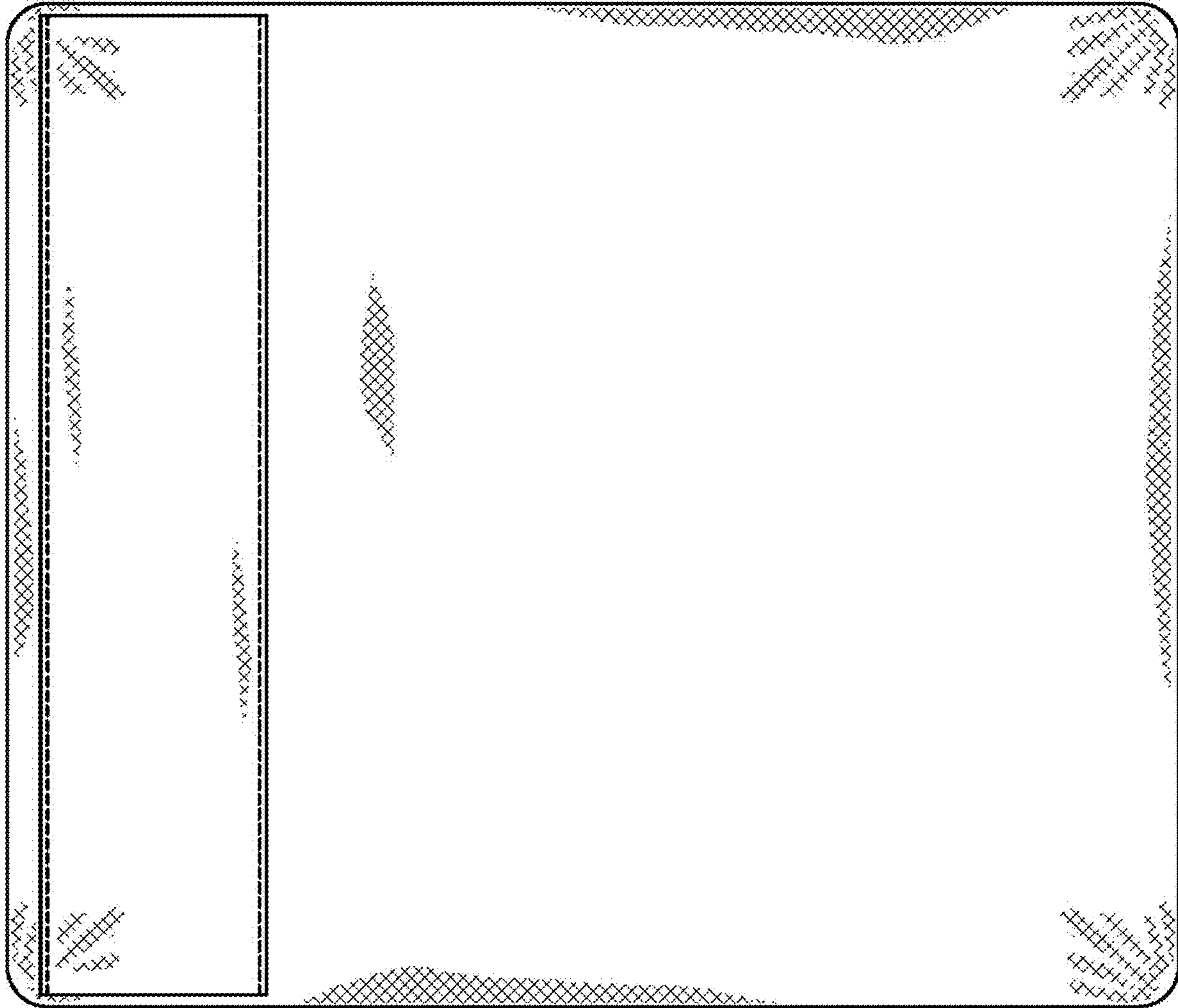


FIG. 1

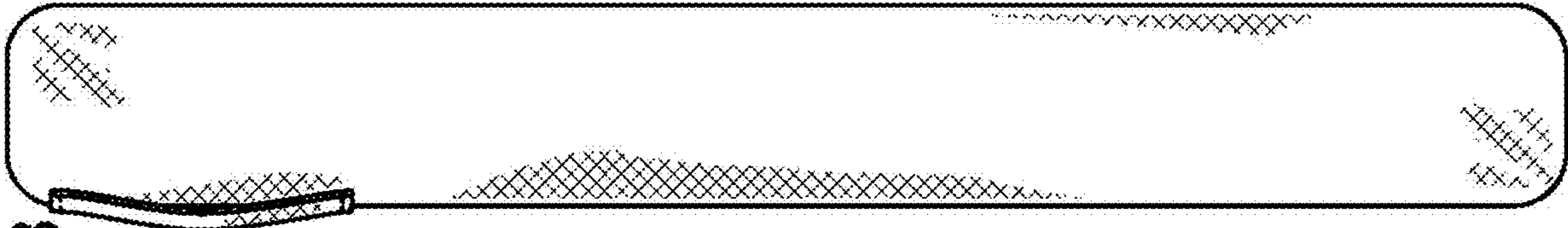


FIG. 3

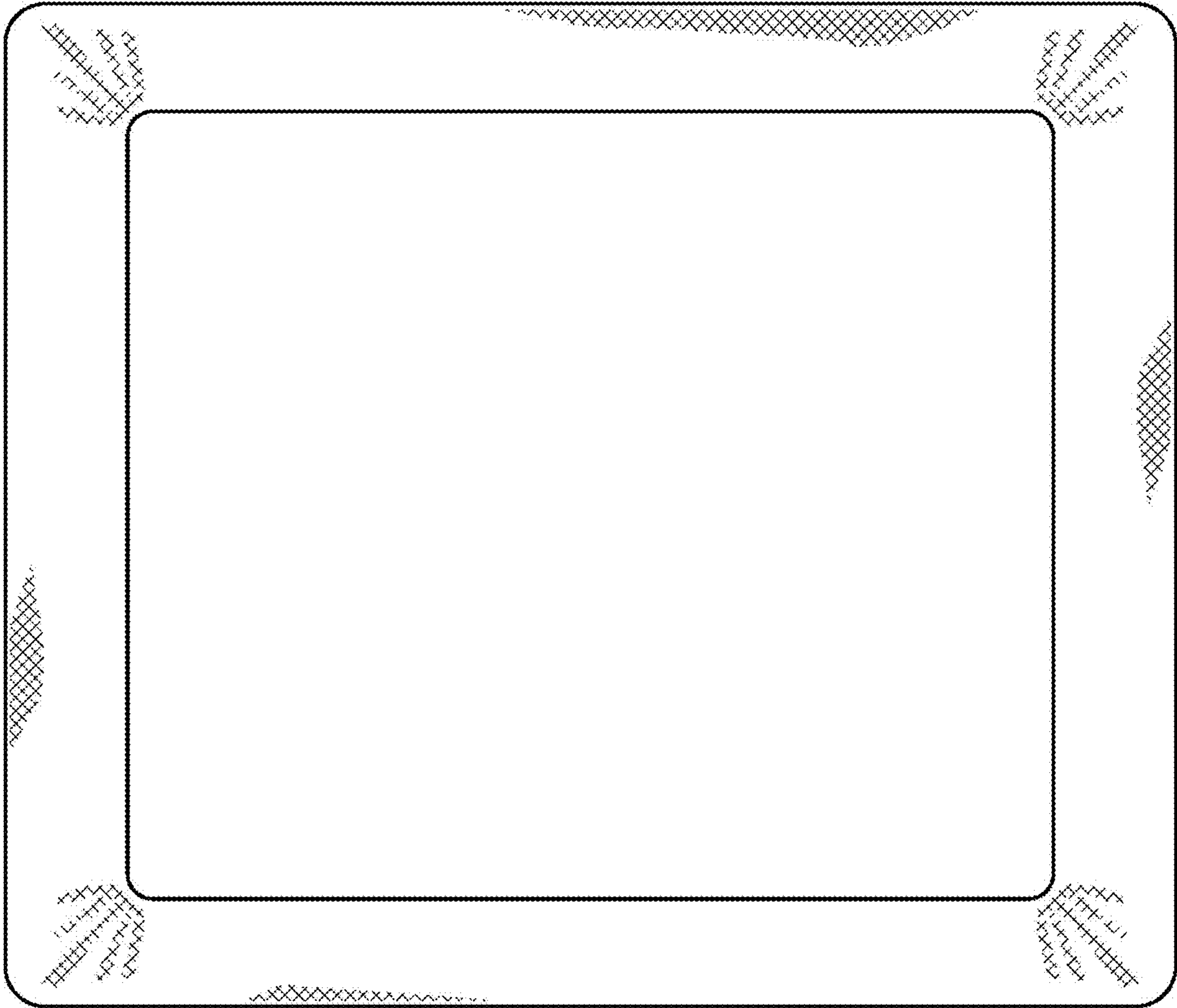


FIG. 2

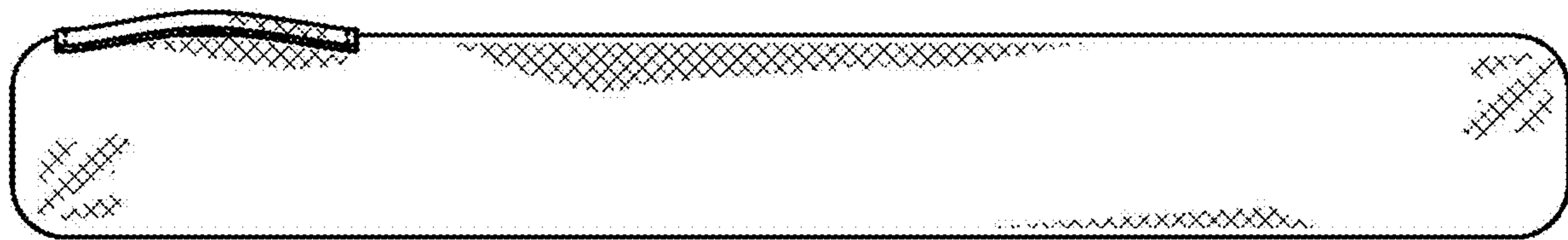


FIG. 4

FIG. 5

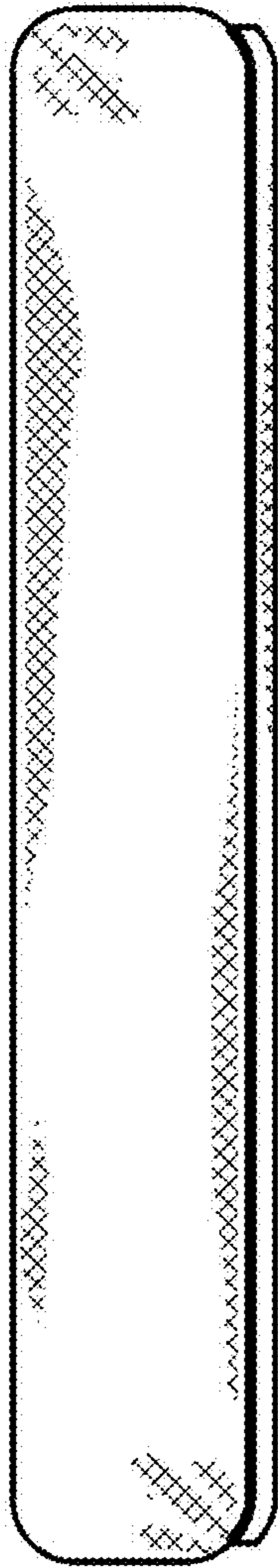
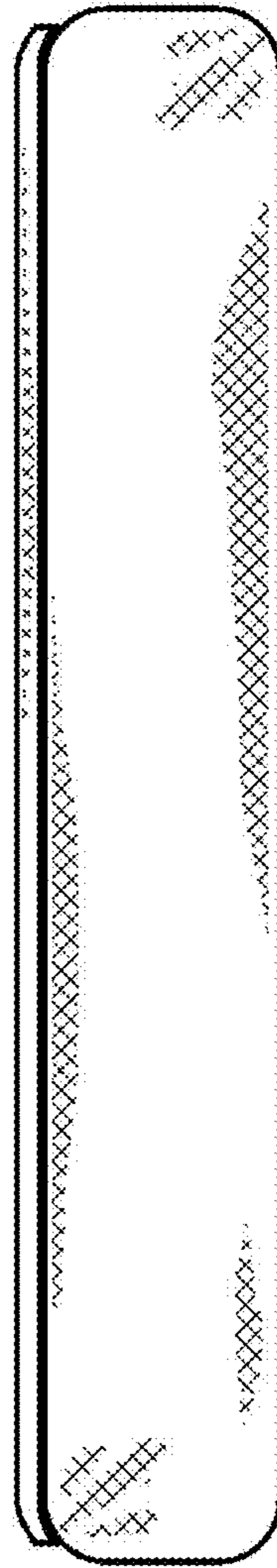


FIG. 6



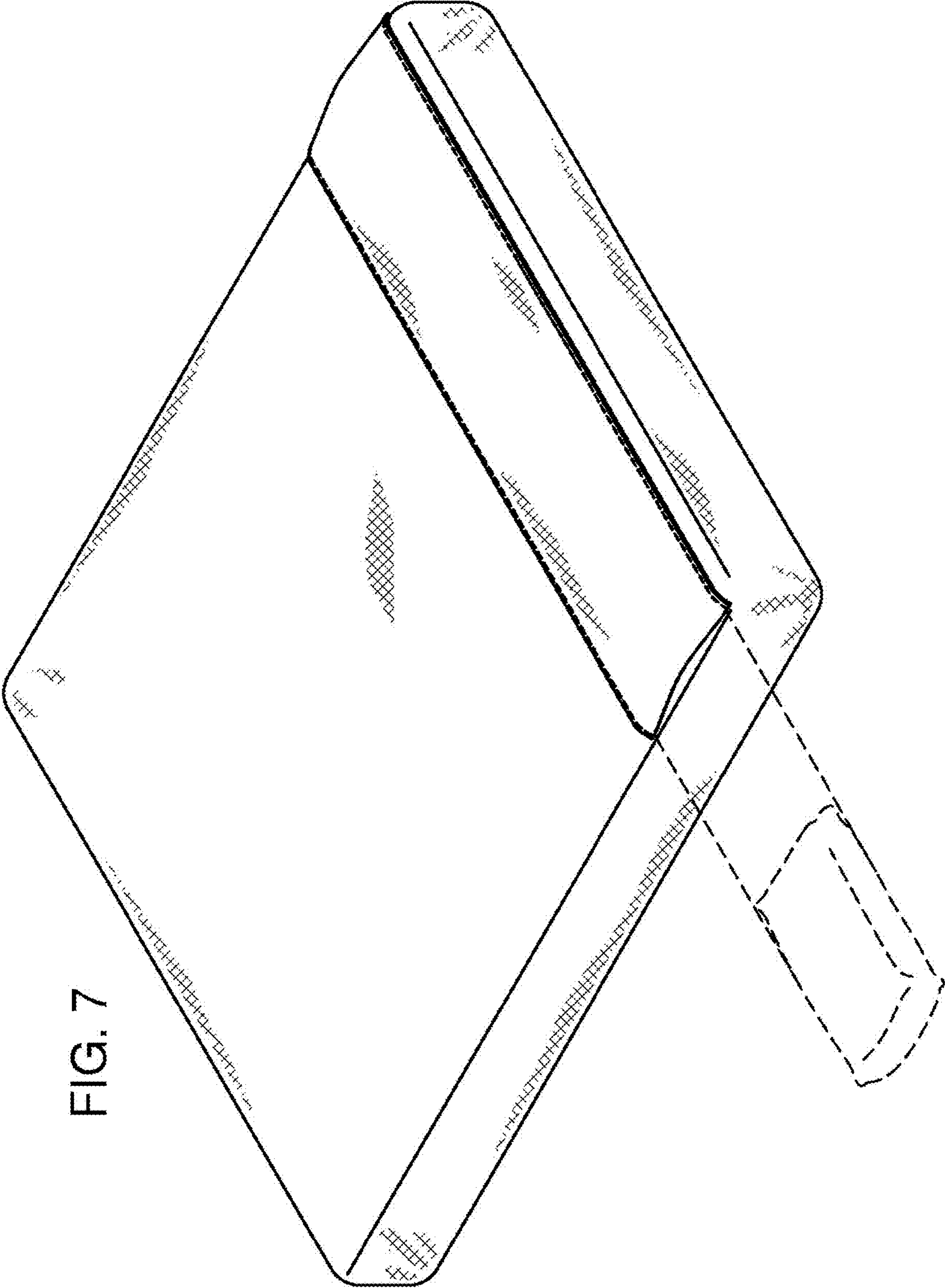


FIG. 7