



US00D898446S

(12) **United States Design Patent**
Long

(10) **Patent No.:** **US D898,446 S**

(45) **Date of Patent:** **** Oct. 13, 2020**

- (54) **PILLOW FOR VEHICLE**
- (71) Applicant: **Shenzhen Longxin industrial Co., Ltd.**, Shenzhen (CN)
- (72) Inventor: **Qinglv Long**, Hunan Province (CN)
- (**) Term: **15 Years**
- (21) Appl. No.: **29/711,991**
- (22) Filed: **Nov. 5, 2019**
- (30) **Foreign Application Priority Data**

5,599,060	A *	2/1997	Stephens	B60N 2/2839
					297/256.15
6,080,090	A *	6/2000	Taylor	A63B 21/0455
					482/121
6,095,604	A *	8/2000	Stack	B60N 2/2809
					297/188.04
7,958,582	B1 *	6/2011	Scamardo	A47C 7/383
					5/632
D666,046	S	8/2012	Xiong		
9,278,244	B2 *	3/2016	Chuang	A63B 21/00069
2007/0052274	A1 *	3/2007	Morphew	B60N 2/2851
					297/392
2009/0151075	A1 *	6/2009	Arthur	B60N 2/7005
					5/636
2009/0179470	A1 *	7/2009	Bass	B60N 2/2809
					297/216.12

- Oct. 14, 2019 (CN) 2019 3 0557008
- (51) **LOC (12) Cl.** **06-09**
- (52) **U.S. Cl.**
USPC **D6/601**
- (58) **Field of Classification Search**
USPC D6/333, 349, 355, 375, 388, 512, 563,
D6/564, 595, 596, 601, 604, 611, 707,
D6/715, 716, 716.1, 708.19;
D24/183-185, 234; D21/803, 804, 805,
D21/809
CPC A47G 9/10; A47G 9/1009; A47G 9/1027;
A47G 9/1045; A47G 9/1063; A47G
9/1072; A47G 9/1081; B60N 2/2839;
B60N 2/2809; B60N 2/7005
See application file for complete search history.

* cited by examiner

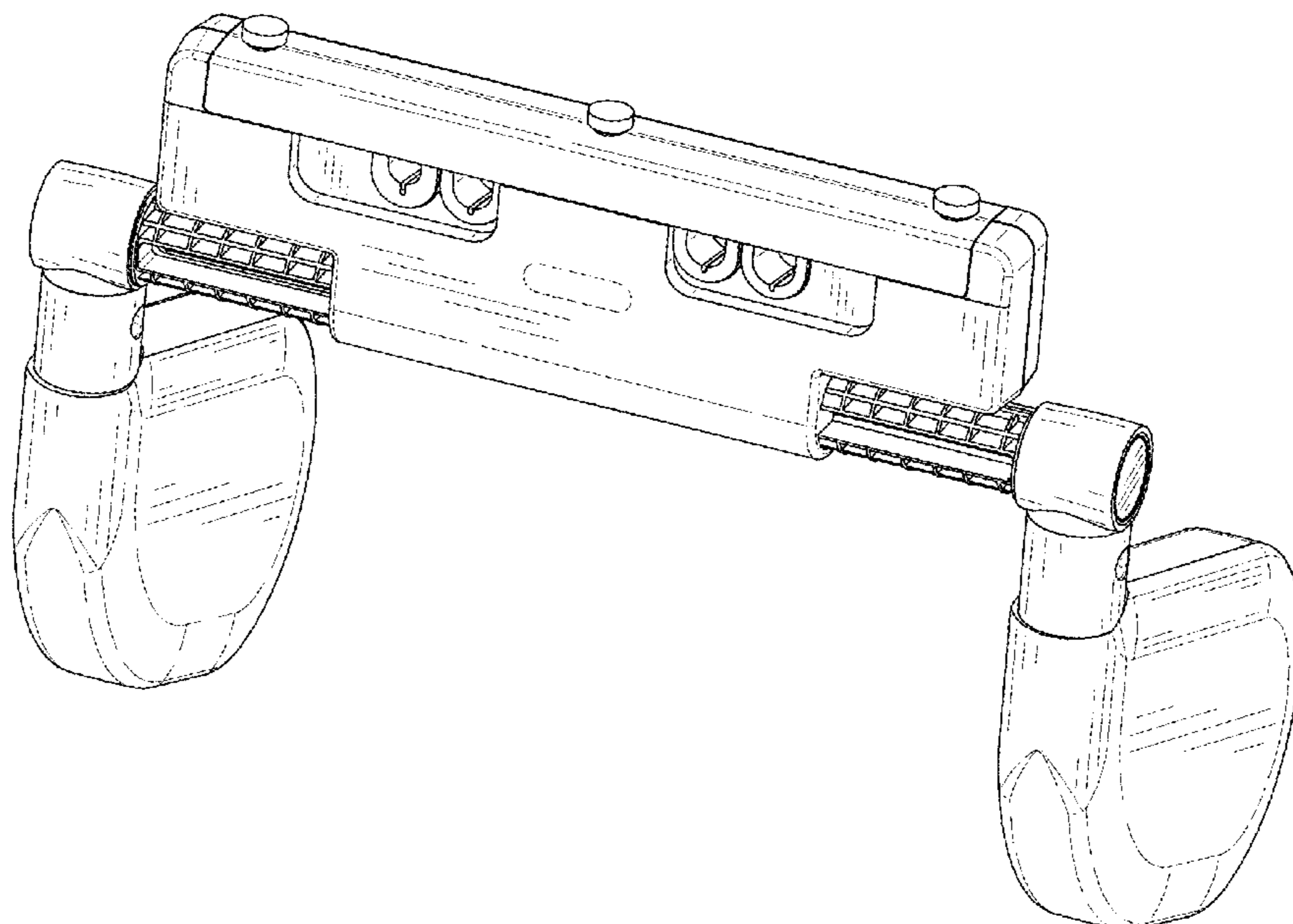
Primary Examiner — Jennifer L Rempfer
(74) *Attorney, Agent, or Firm* — Jie Yang; ZANIP

- (56) **References Cited**
U.S. PATENT DOCUMENTS
4,671,574 A * 6/1987 Kassai B60N 2/2839
297/149
4,765,685 A * 8/1988 Sudoh B60N 2/2839
297/256.15
5,335,957 A * 8/1994 Golder B60R 22/024
297/482

(57) **CLAIM**
The ornamental design for a pillow for vehicle, as shown and described.

DESCRIPTION
FIG. 1 is a front and top perspective view of a pillow for vehicle, showing my new design;
FIG. 2 is a rear and bottom perspective view thereof;
FIG. 3 is a front elevational view thereof;
FIG. 4 is a rear elevational view thereof;
FIG. 5 is a left side elevational view thereof;
FIG. 6 is a right side elevational view thereof;
FIG. 7 is a top plan view thereof; and,
FIG. 8 is a bottom plan view thereof.
The broken lines in the figures illustrate portions of the pillow for vehicle that form no part of the claimed design.

1 Claim, 8 Drawing Sheets



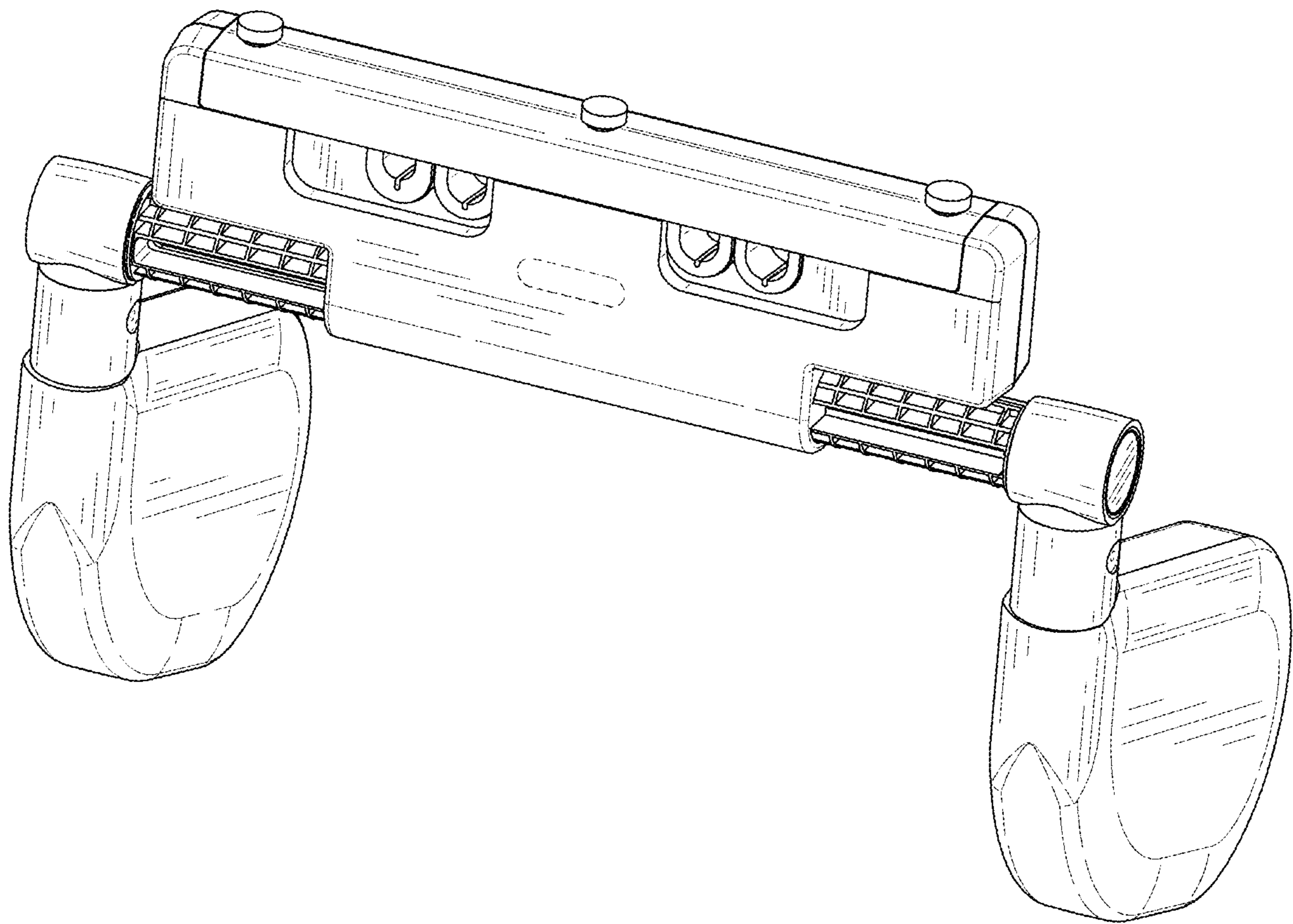


FIG. 1

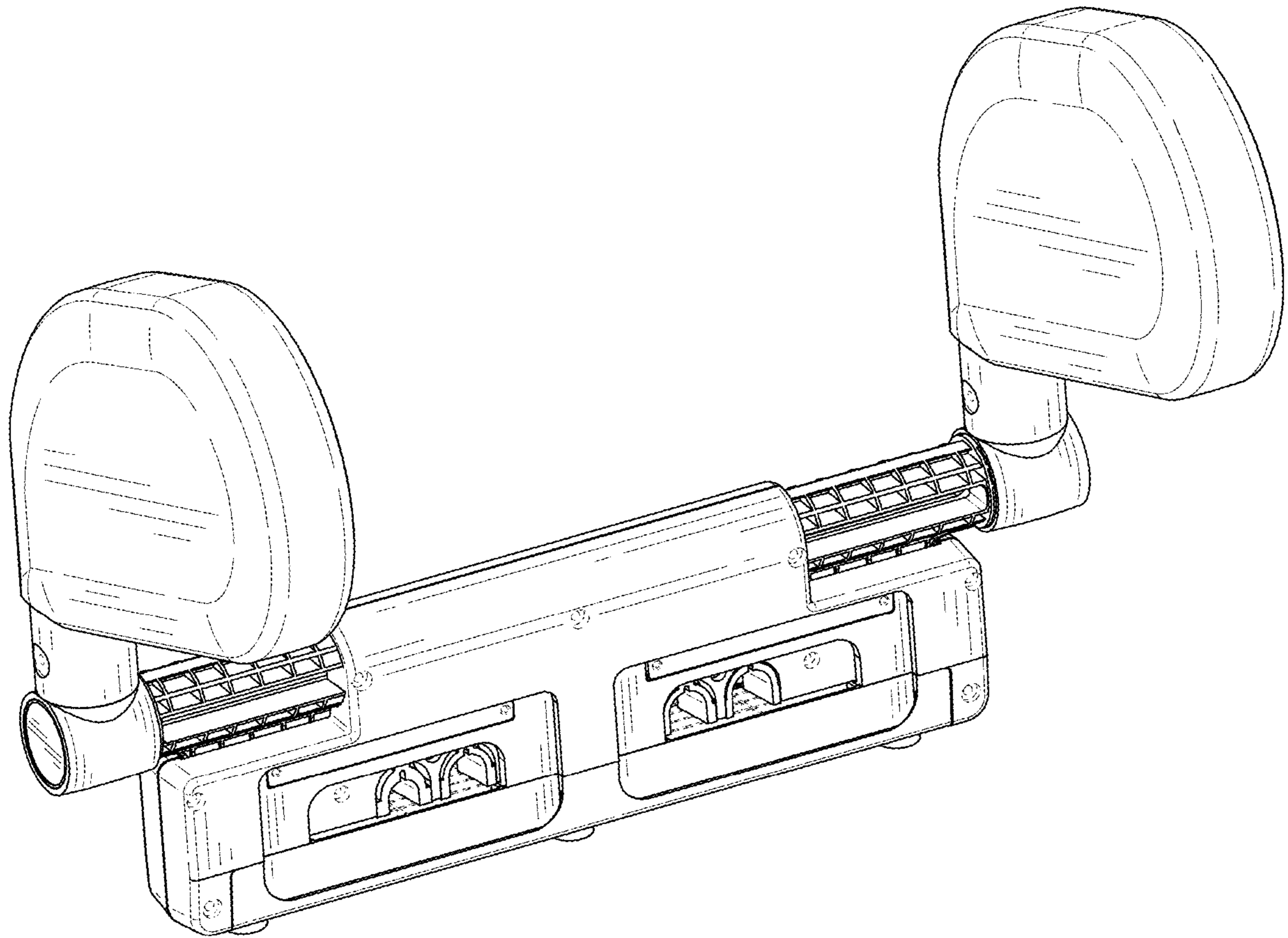


FIG. 2

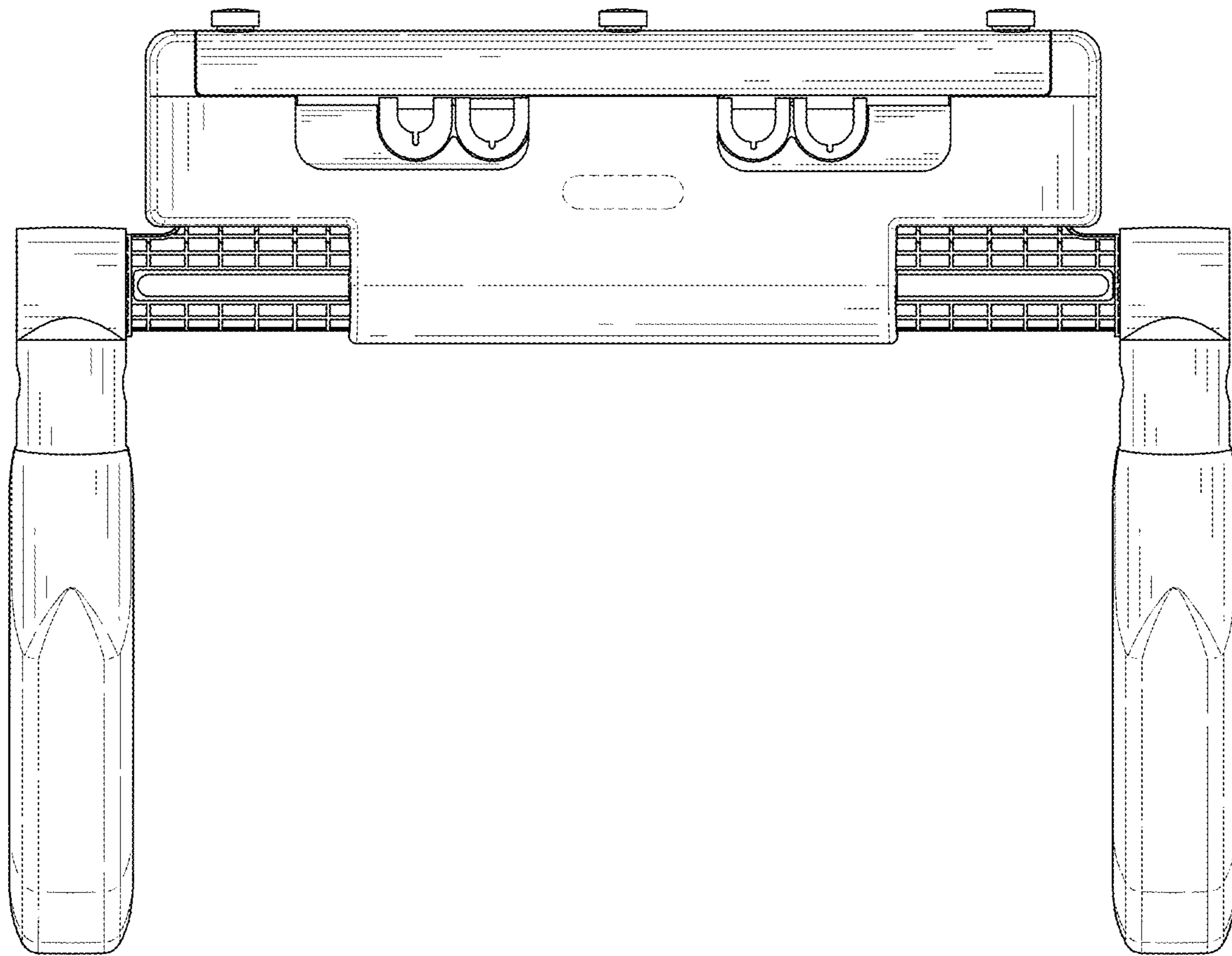


FIG. 3

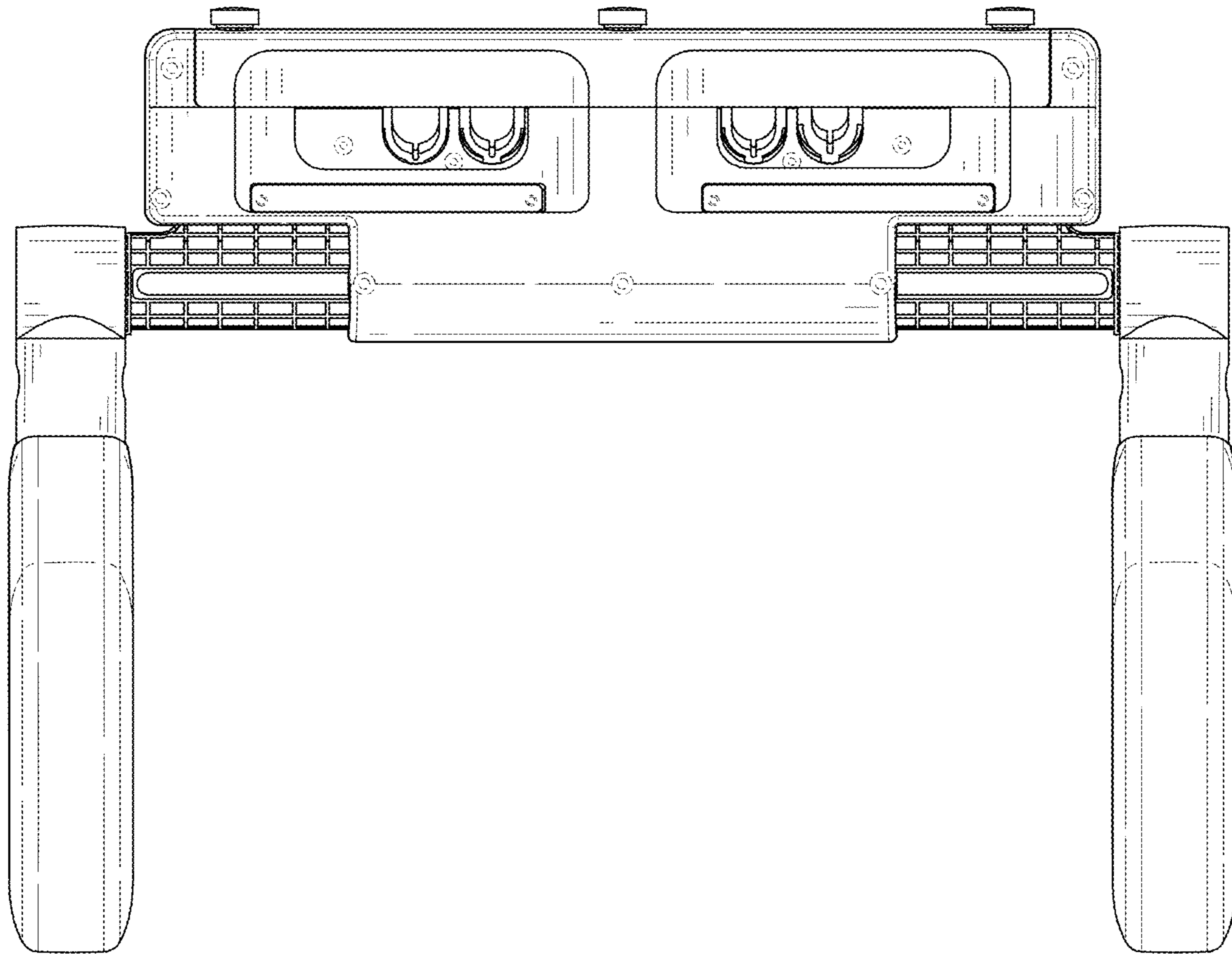


FIG. 4

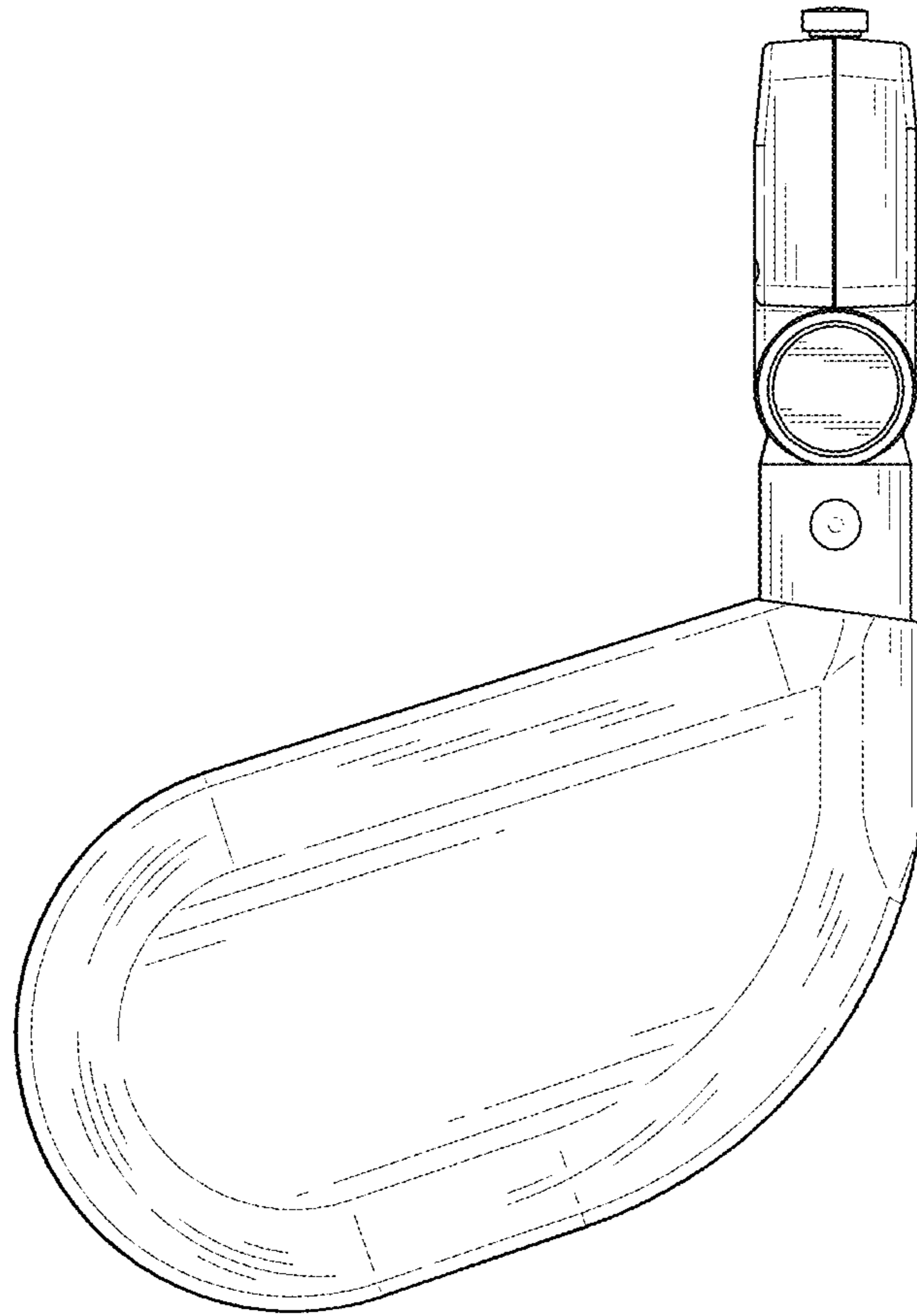


FIG. 5

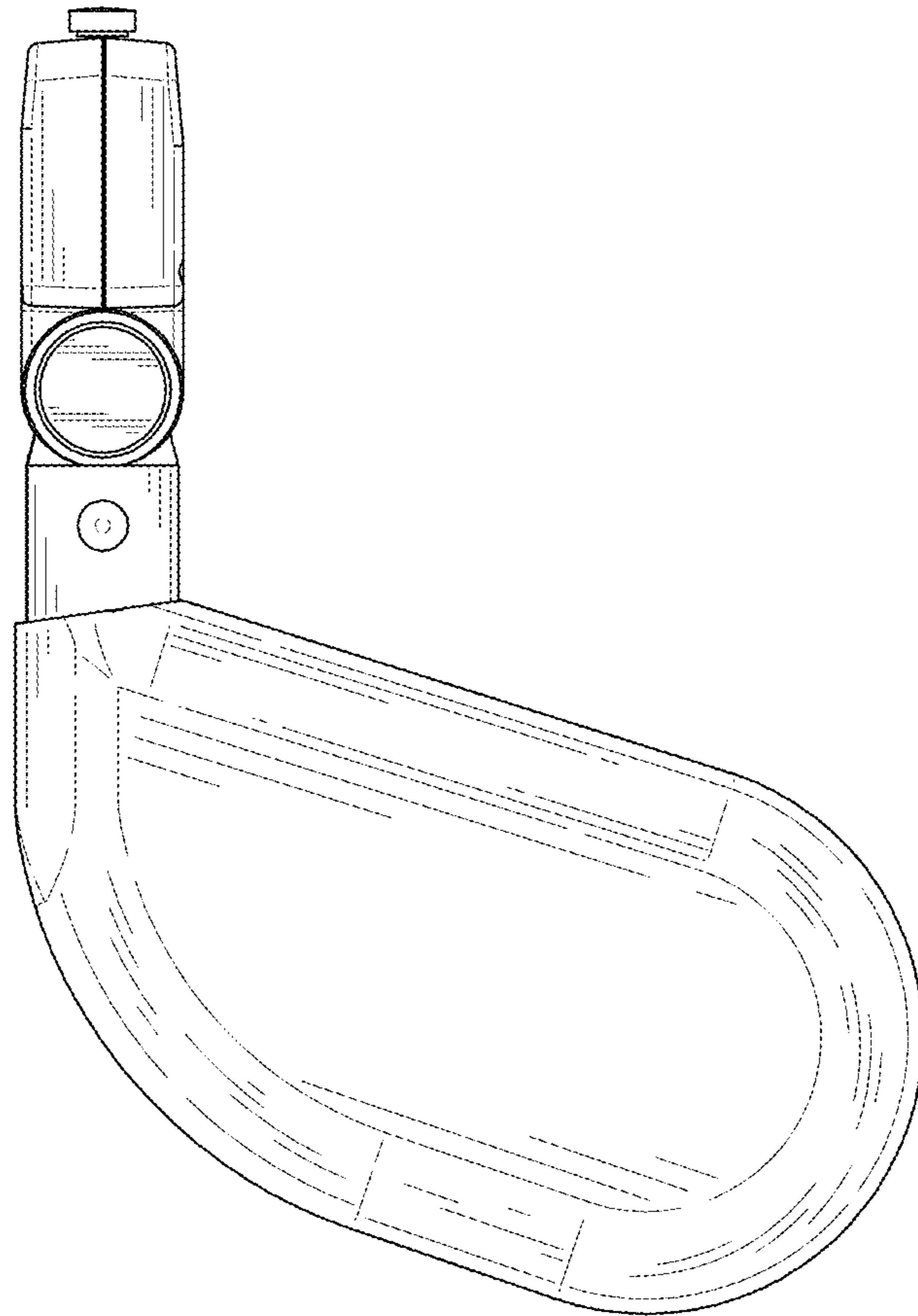


FIG. 6

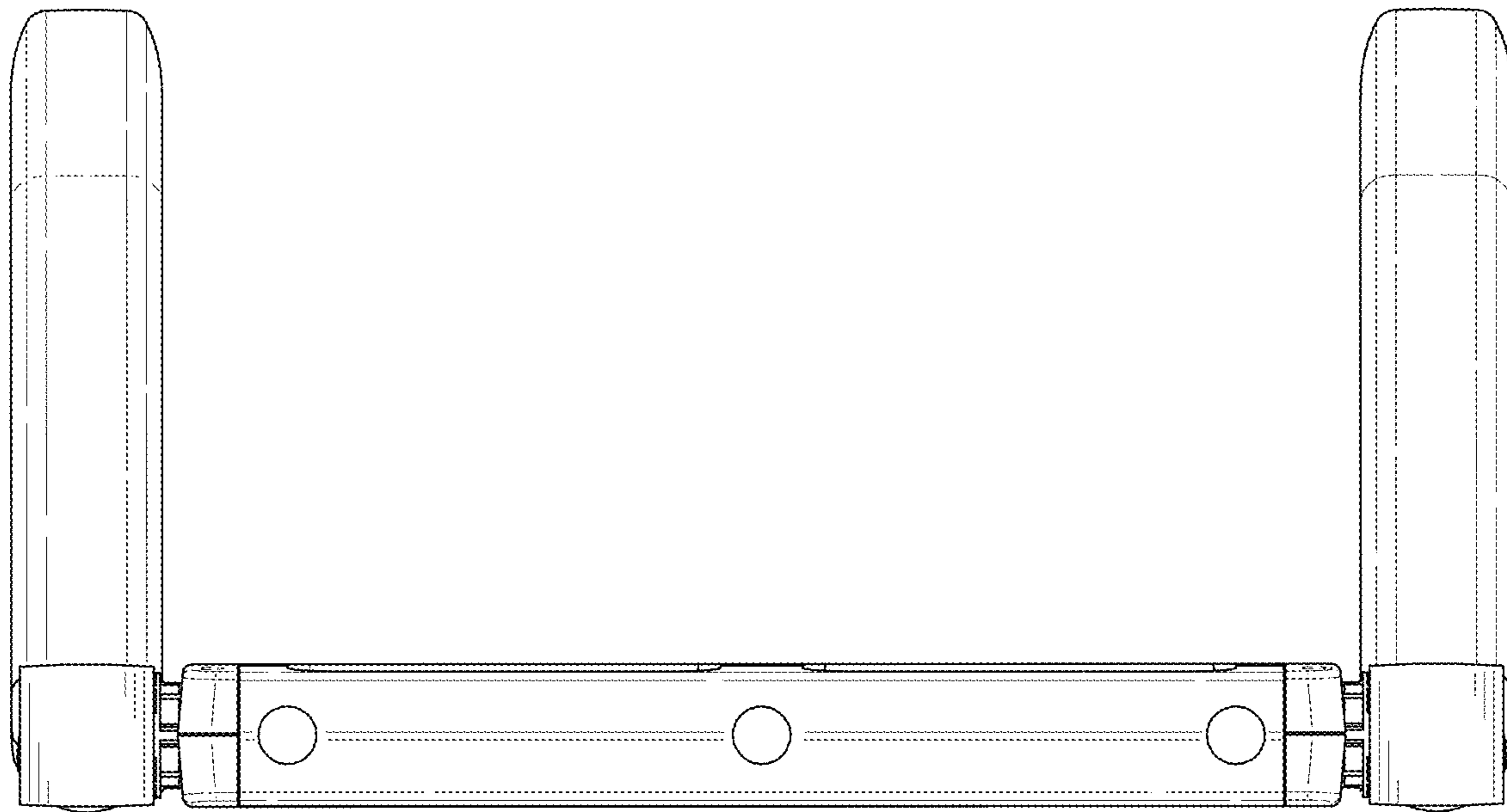


FIG. 7

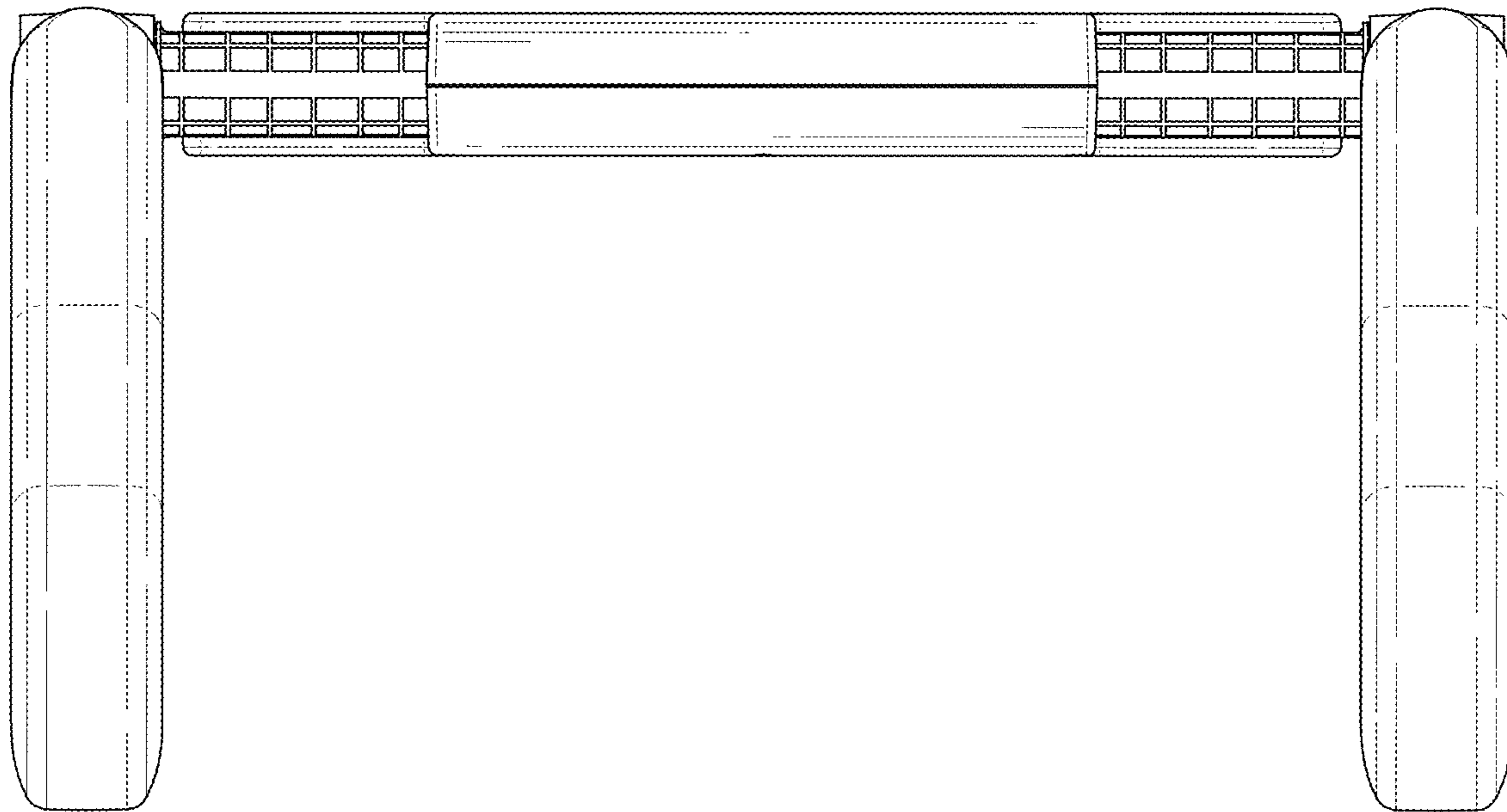


FIG. 8