



US00D898444S

(12) **United States Design Patent** (10) **Patent No.:** **US D898,444 S**
Chen et al. (45) **Date of Patent:** **** Oct. 13, 2020**

(54) **KNEE PILLOW**
(71) Applicant: **Shenzhen LianDa NM Tech Co., Ltd.**,
Shenzhen, Guangdong (CN)
(72) Inventors: **Congyu Chen**, Guangdong (CN);
Congchao Chen, Guangdong (CN)
(73) Assignee: **Shenzhen LianDa NM Tech Co., Ltd.**,
Shenzhen (CN)

D815,294 S * 4/2018 Bartolotta D24/190
D829,021 S * 9/2018 Douglas D6/601
D833,774 S * 11/2018 Mittelstadt A47C 7/383
D6/601
D854,353 S * 7/2019 Xiang D6/596
D862,120 S * 10/2019 Clute D6/604
D869,660 S * 12/2019 Samaan D24/184
2007/0277319 A1* 12/2007 Calvert A47G 9/1063
5/638
2010/0205743 A1* 8/2010 Harges A47G 9/1027
5/638
2018/0042409 A1* 2/2018 Johnson A61G 13/121

(**) Term: **15 Years**

(21) Appl. No.: **29/695,114**

(22) Filed: **Jun. 16, 2019**

(30) **Foreign Application Priority Data**

May 29, 2019 (CN) 2019 3 0269564

(51) **LOC (12) Cl.** **06-09**

(52) **U.S. Cl.**
USPC **D6/601**

(58) **Field of Classification Search**
USPC D6/595-601, 604, 606; D24/183, 190;
D21/803, 809
CPC A47C 20/00; A47C 20/021; A47C 7/742;
A47C 7/021; A47D 15/001; A47D
15/008; A47G 9/00; A47G 9/10; B62J
1/26

See application file for complete search history.

(56) **References Cited**

U.S. PATENT DOCUMENTS

D244,569 S * 6/1977 Laroye D6/334
D342,409 S * 12/1993 Gambin 5/631
D412,082 S * 7/1999 Goodrich D6/601
D447,316 S * 9/2001 Wolff D1/127
D447,614 S * 9/2001 Wolff D1/127
D638,167 S * 5/2011 Carey D28/41
D759,403 S * 6/2016 Covelli D6/601
D773,212 S * 12/2016 Krishtul D6/601
D791,509 S * 7/2017 Jones D6/601
D804,852 S * 12/2017 Glaze D6/601

OTHER PUBLICATIONS

Orthopedic Knee Pillow for Side Sleepers, Ortorex. Found on the internet https://ortorex.com/p/knee/?attribute_pa_cb5feb1b7314637725a2e7=blue&utm_source=Google%20Shopping&utm_campaign=US%20DEF&utm_medium=cpc&utm_term=41727&gclid=EAlalQobChMI3JfnqbF6QIVD4_ICh3OAA-OEAQYAiABEgIA1vD_BwE (Year: 2020).*

* cited by examiner

Primary Examiner — Jennifer L Rempfer

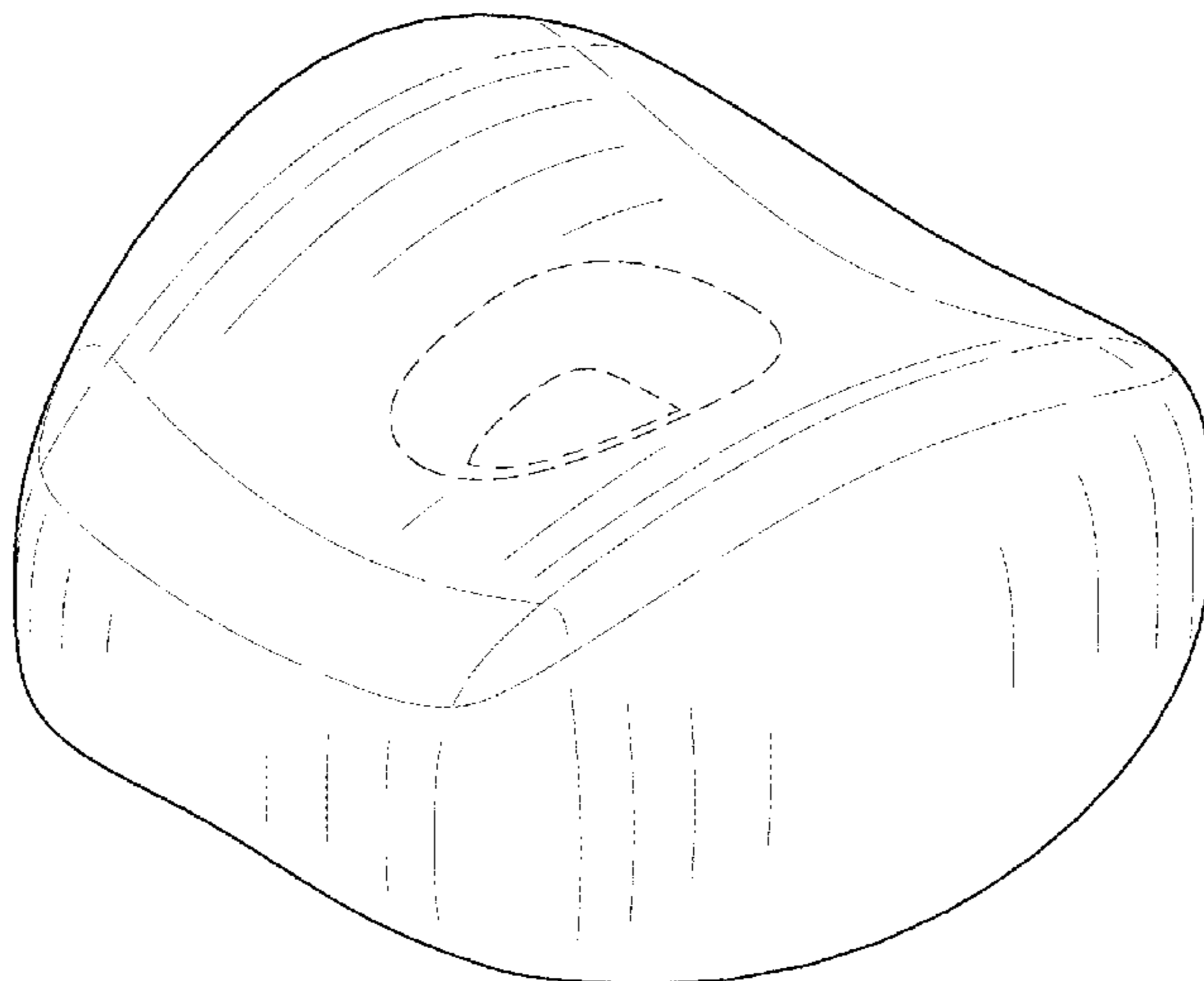
(57) **CLAIM**

The ornamental design for a knee pillow, as shown and described.

DESCRIPTION

FIG. 1 is a front and right side perspective view of a knee pillow showing our new design;
FIG. 2 is a rear and right side perspective view thereof;
FIG. 3 is a front elevational view thereof;
FIG. 4 is a rear elevational view thereof;
FIG. 5 is a left side view thereof;
FIG. 6 is a right side view thereof;
FIG. 7 is a top plan view thereof; and,
FIG. 8 is a bottom plan view thereof.
The broken lines in the drawings illustrate portions of the knee pillow which form no part of the claimed design.

1 Claim, 8 Drawing Sheets



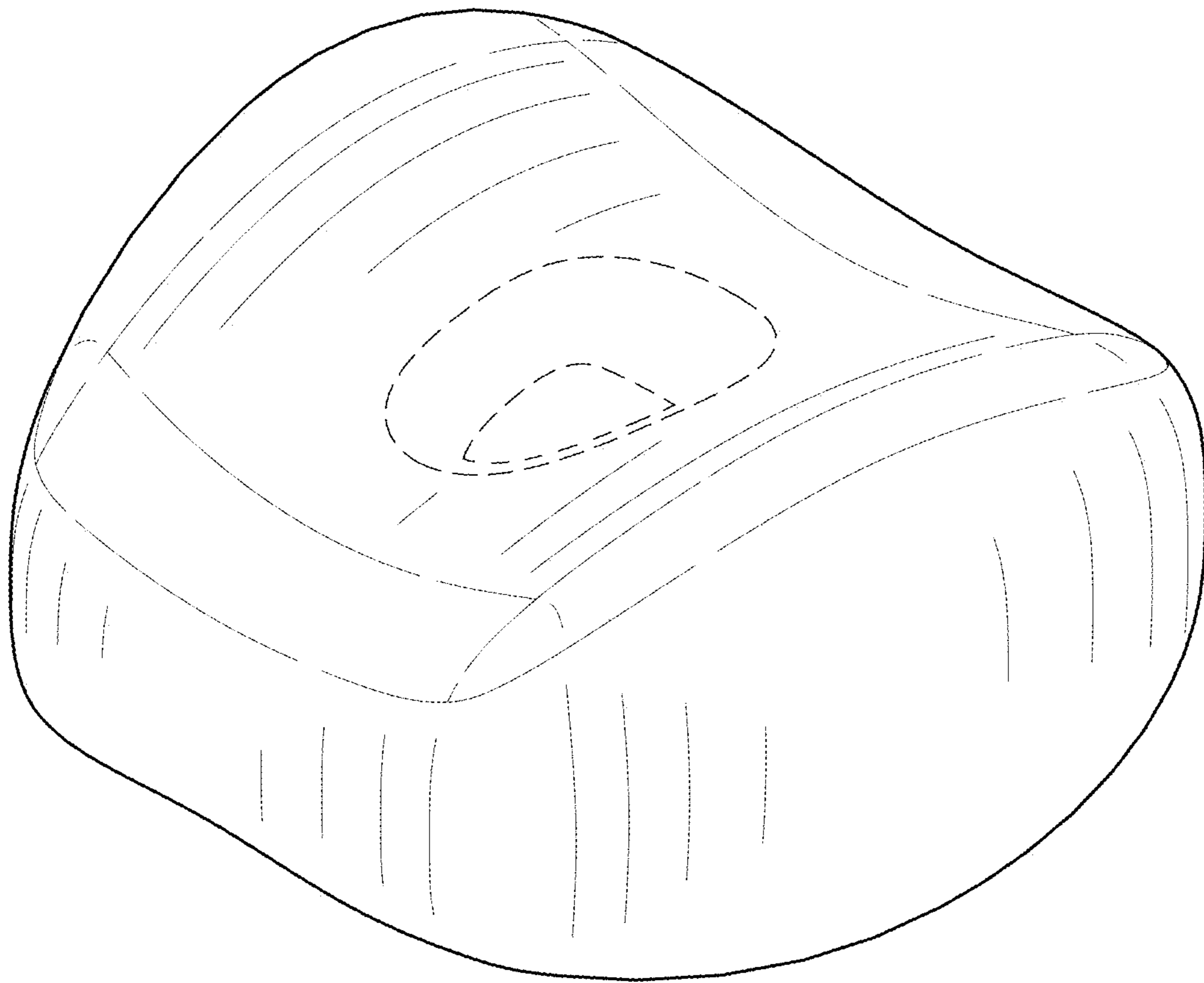


FIG. 1

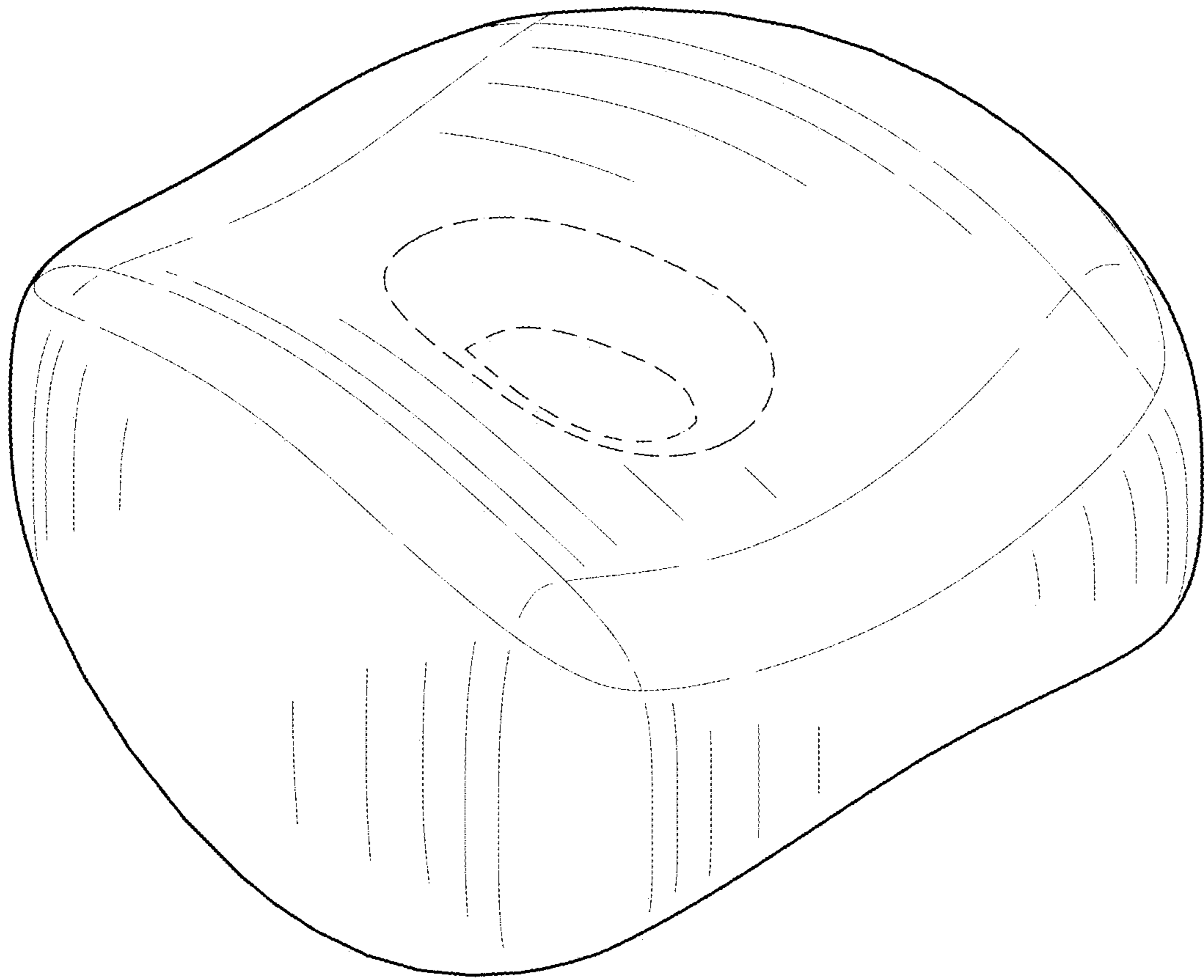


FIG. 2

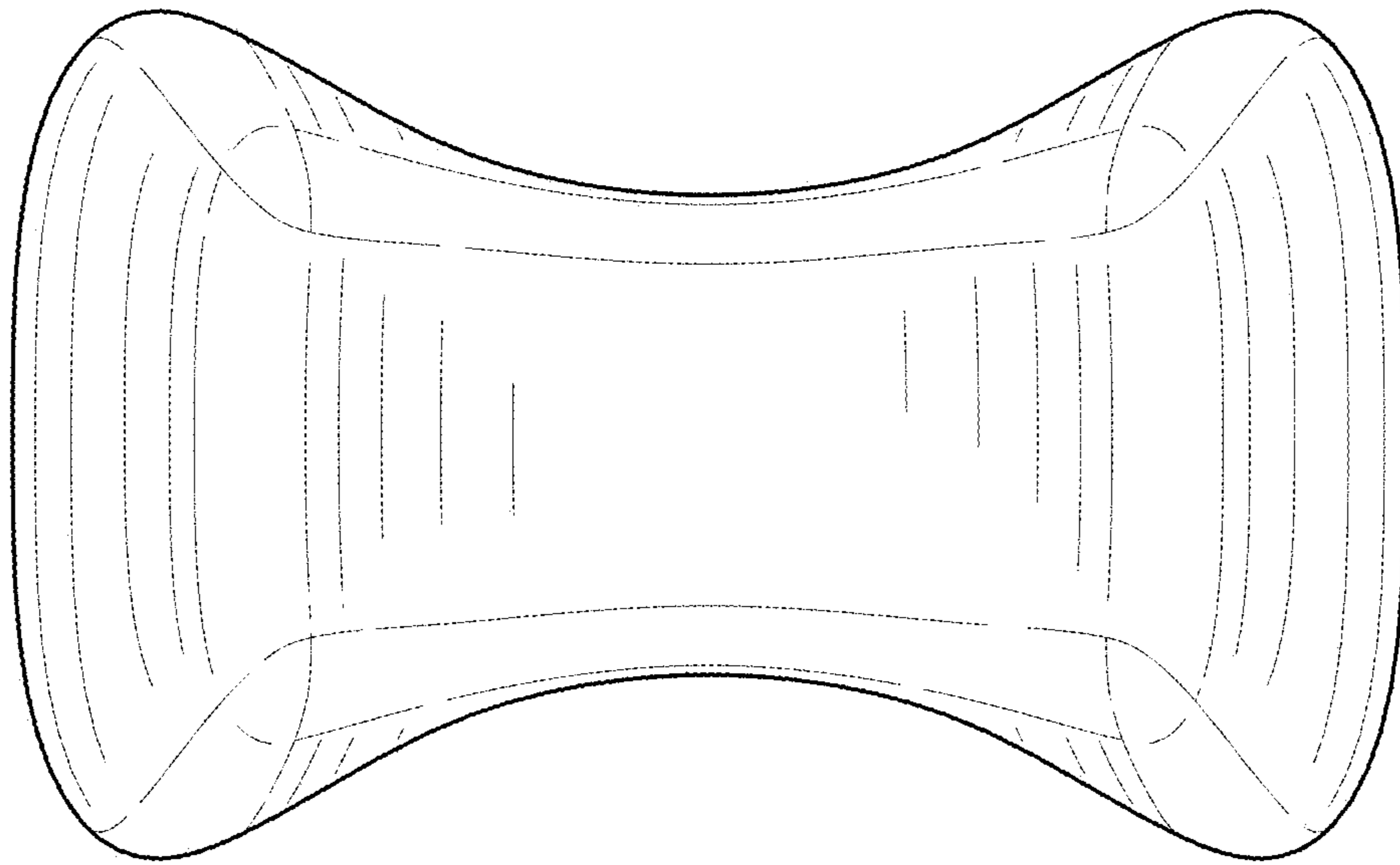


FIG. 3

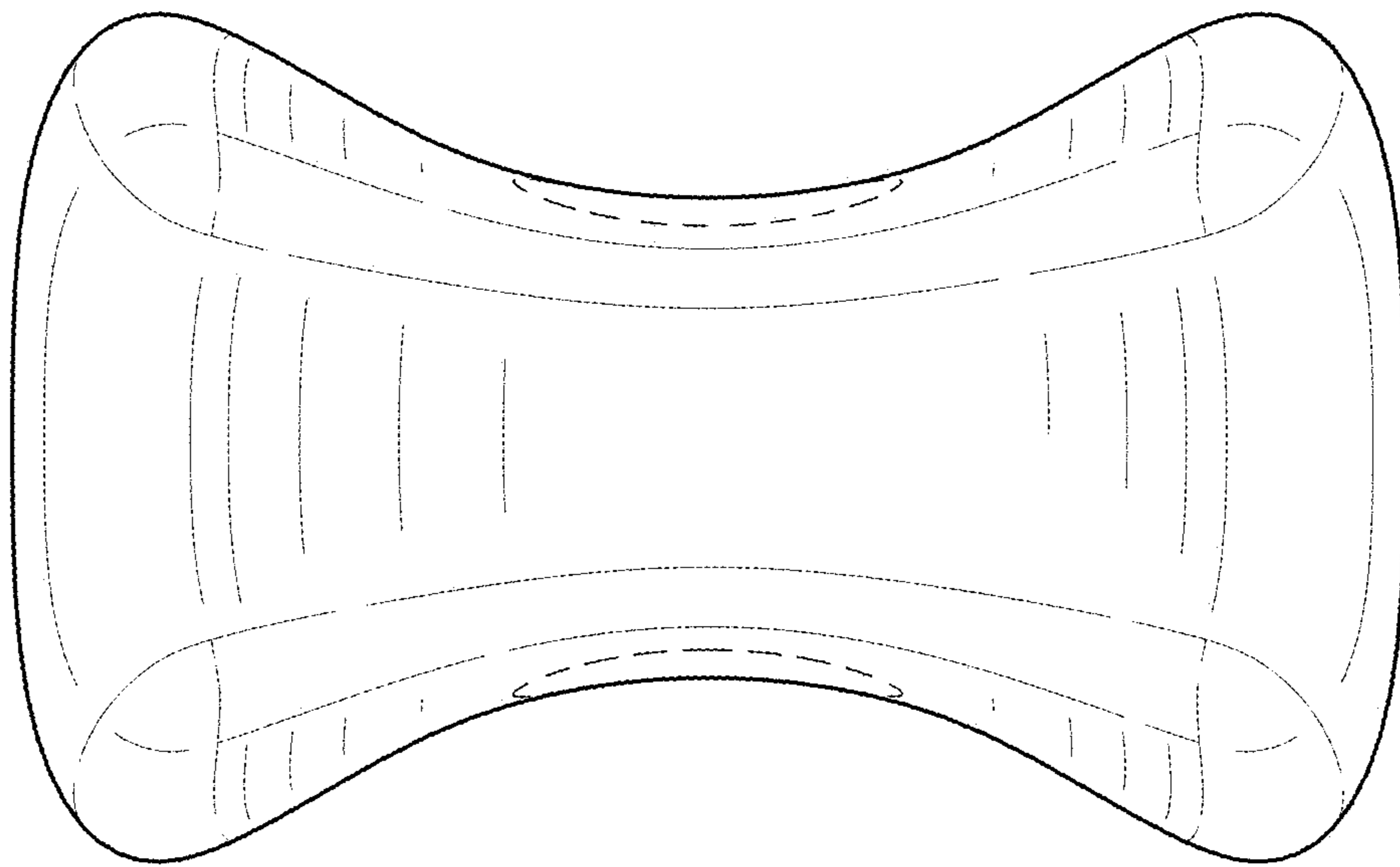


FIG. 4

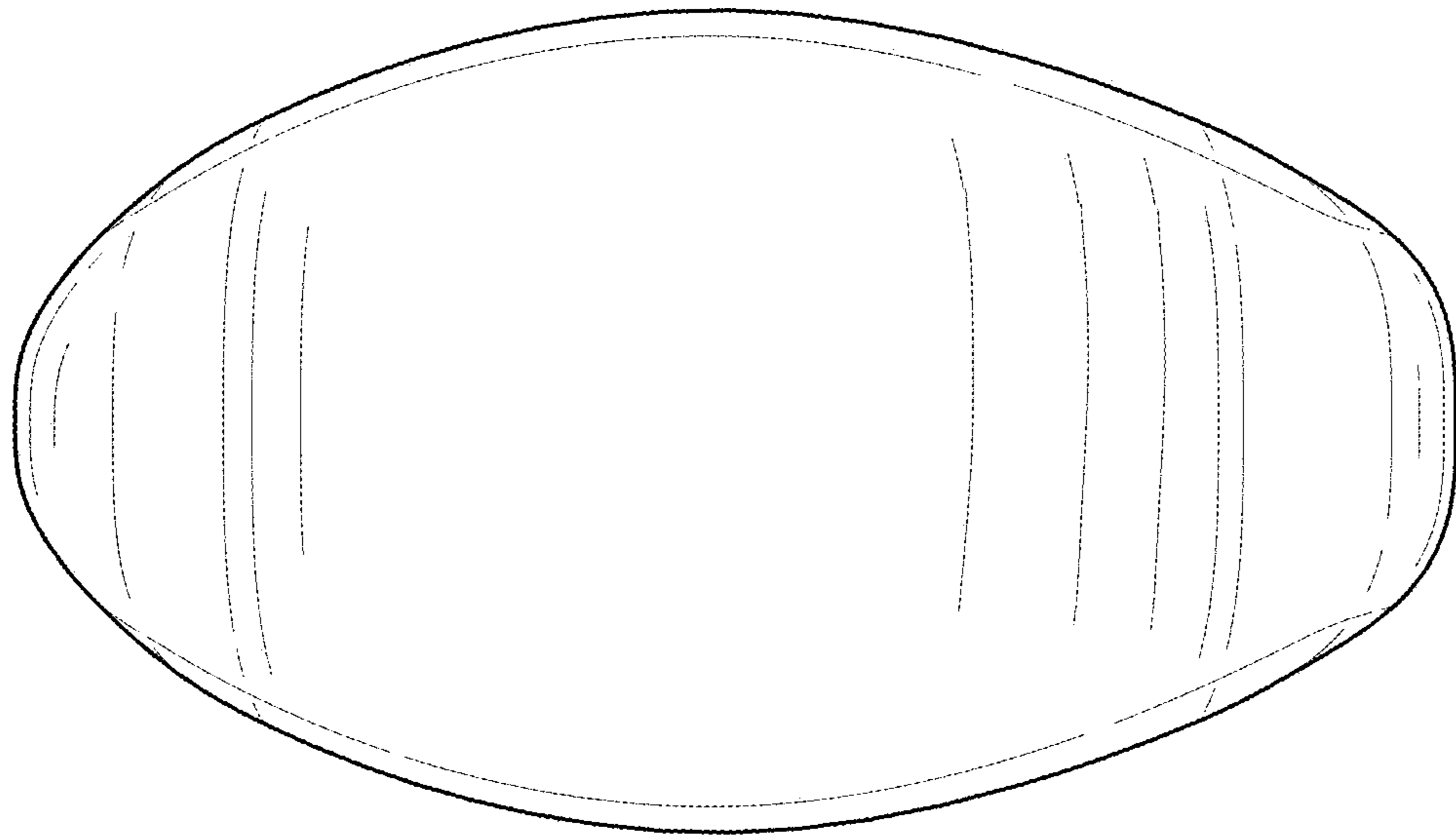


FIG. 5

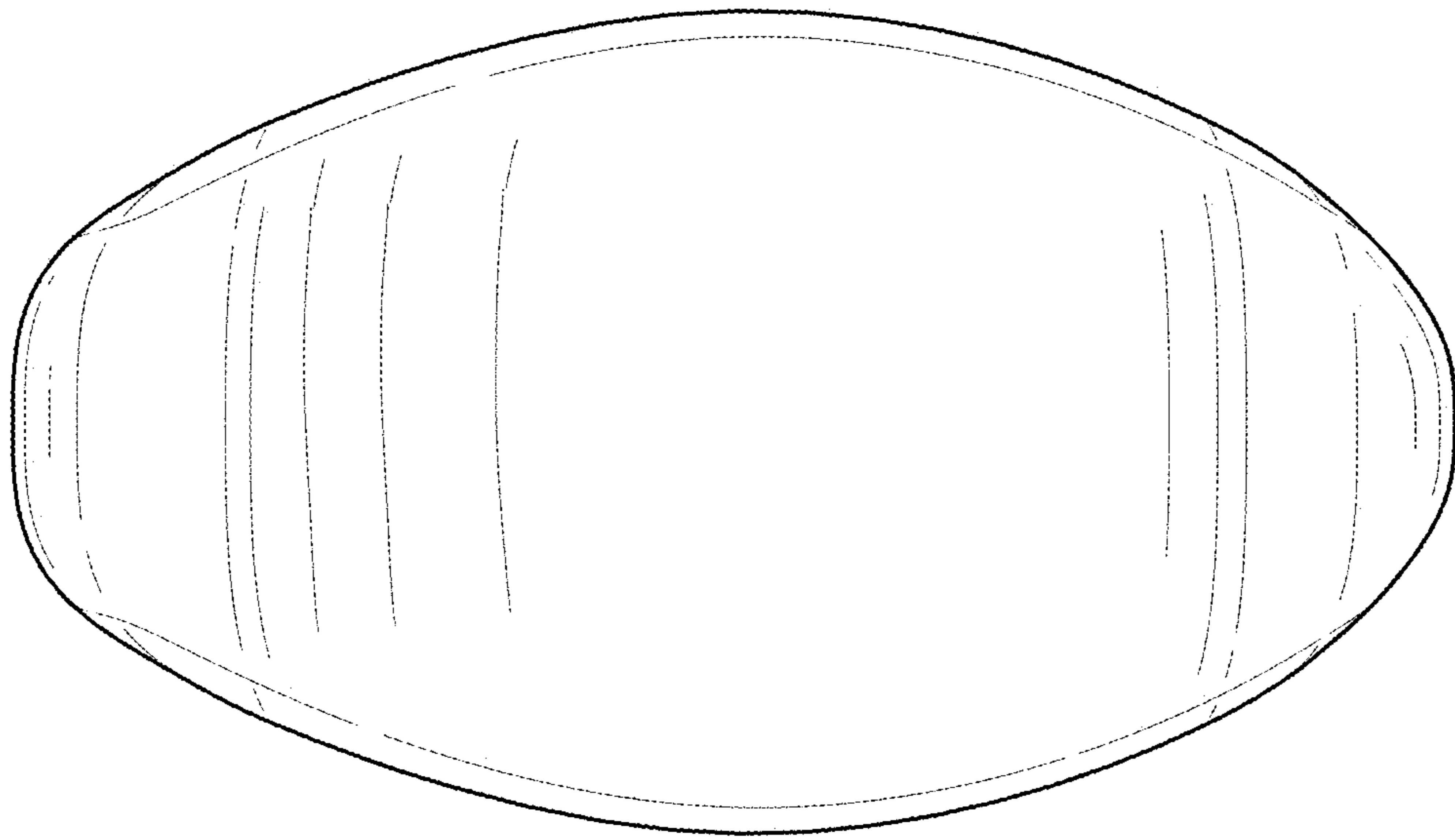


FIG. 6

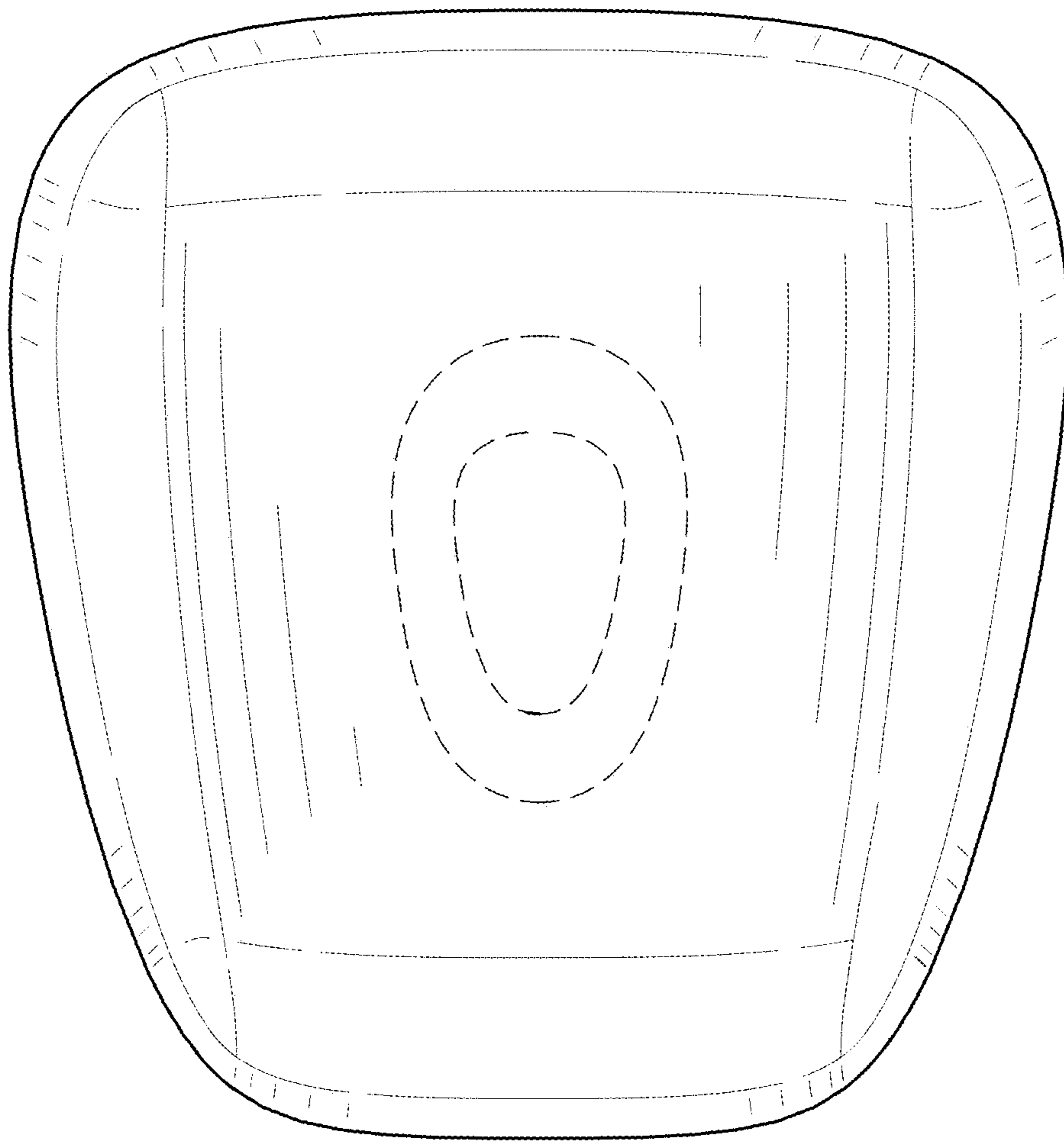


FIG. 7

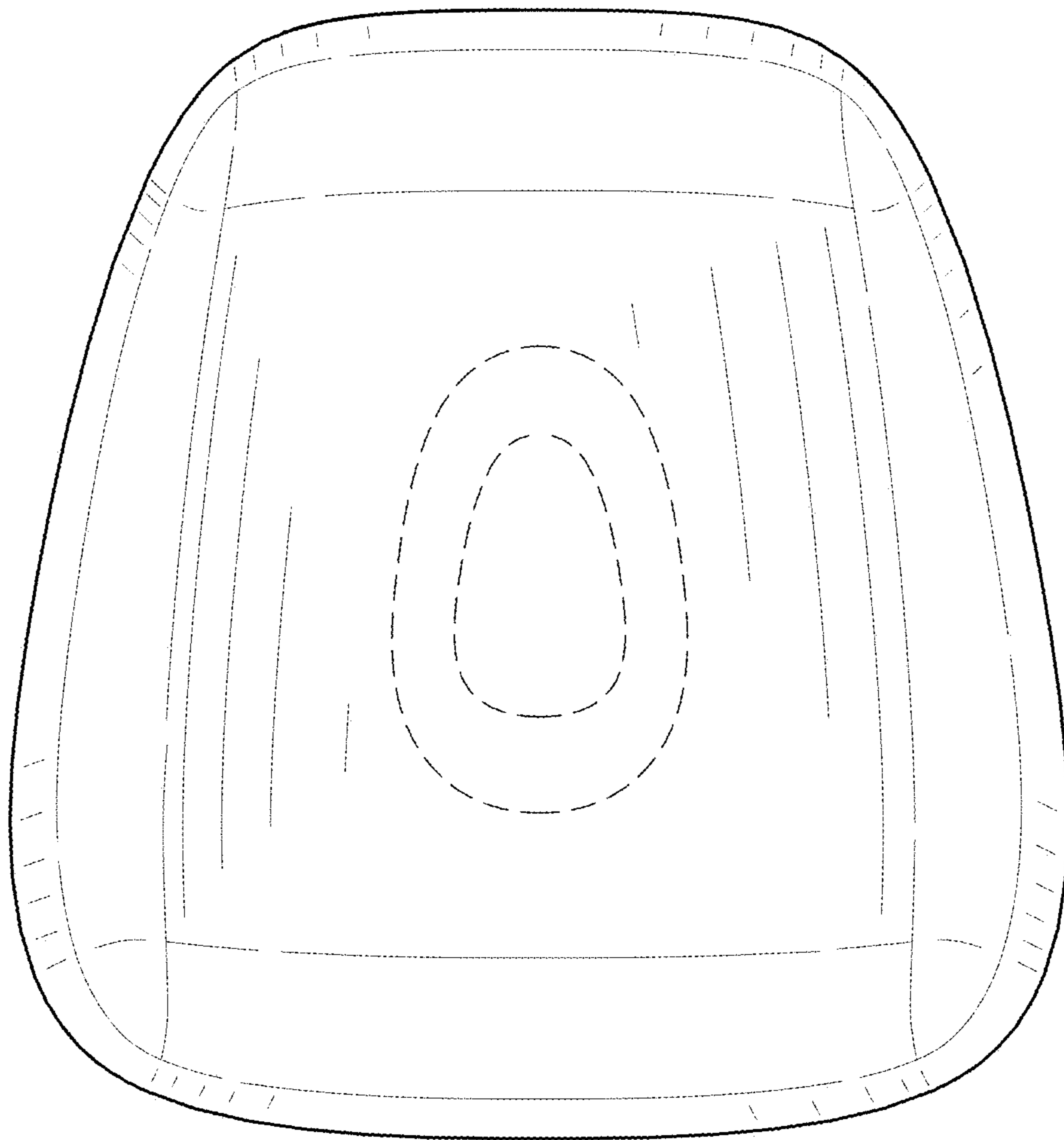


FIG. 8