



US00D898441S

(12) **United States Design Patent**
Bellot

(10) **Patent No.:** **US D898,441 S**

(45) **Date of Patent:** **** Oct. 13, 2020**

(54) **CUSHION**

(71) Applicant: **Alberto Bellot**, Vicenza (IT)

(72) Inventor: **Alberto Bellot**, Vicenza (IT)

(73) Assignee: **Technogel Italia S.R.L.** (IT)

(**) Term: **15 Years**

(21) Appl. No.: **29/691,477**

(22) Filed: **May 16, 2019**

(30) **Foreign Application Priority Data**

Feb. 21, 2019 (EM) 006264156-0001

(51) **LOC (12) Cl.** **06-09**

(52) **U.S. Cl.**
USPC **D6/601**

(58) **Field of Classification Search**
USPC D6/595-601, 604, 606; D24/183, 190;
D21/803, 809

CPC A47C 20/00; A47C 20/021; A47C 7/742;
A47C 7/021; A47D 15/001; A47D
15/008; A47G 9/00; A47G 9/10; B62J
1/26

See application file for complete search history.

(56) **References Cited**

U.S. PATENT DOCUMENTS

D192,421 S * 3/1962 Bostrom D6/356
D529,326 S * 10/2006 Martin D6/601

D658,396 S * 5/2012 Sprouse, II D6/354
D758,102 S * 6/2016 Mason D6/601
D758,103 S * 6/2016 Mason D6/601
D781,615 S * 3/2017 Parman D6/604
D788,493 S * 6/2017 Parman D6/604
D798,634 S * 10/2017 Sprouse, II D6/601
D818,290 S * 5/2018 Facco D6/601
D840,724 S * 2/2019 Dowd D6/601
D876,125 S * 2/2020 Bellot D6/601
10,646,049 B2 * 5/2020 Sprouse, II A47C 7/021
2012/0292958 A1 * 11/2012 Sprouse, II B62J 1/26
297/200

* cited by examiner

Primary Examiner — Jennifer L Rempfer

(74) *Attorney, Agent, or Firm* — Dentons Cohen & Grigsby P.C.

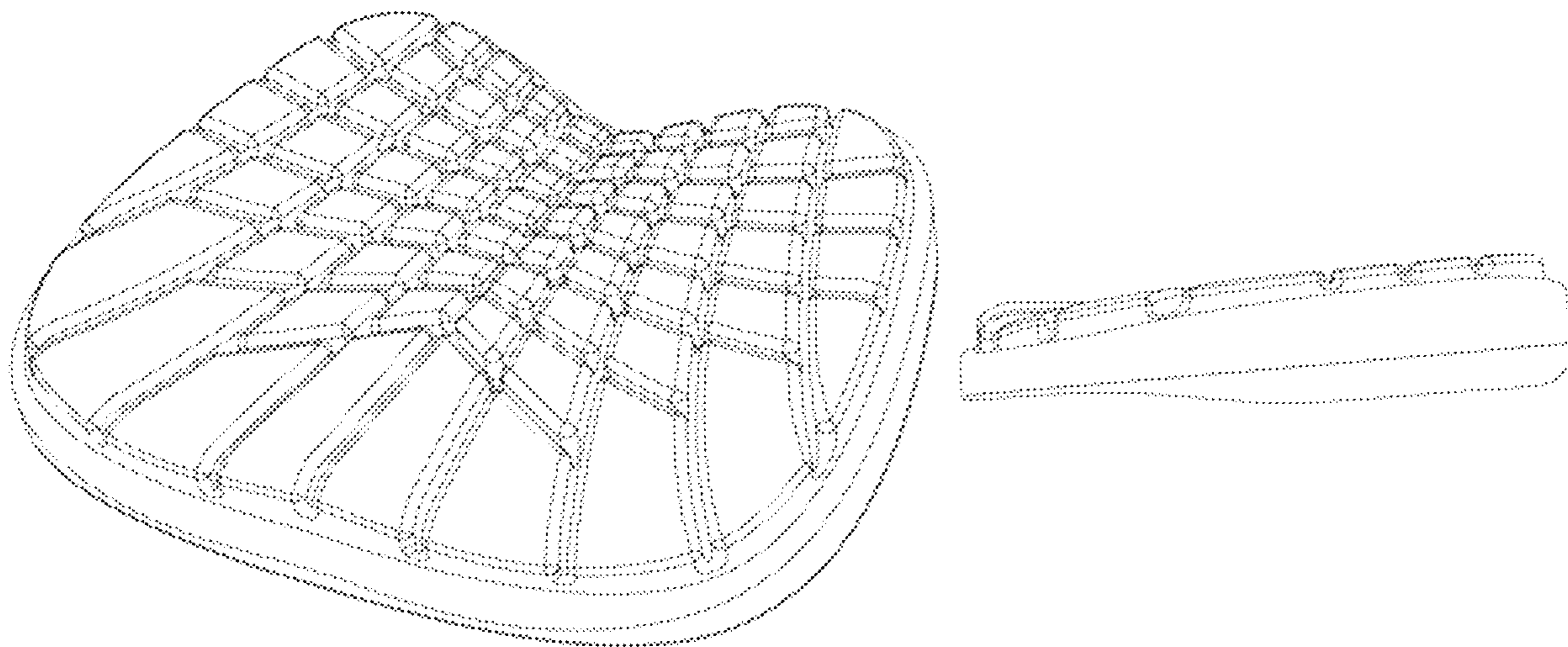
(57) **CLAIM**

The ornamental design for a cushion, as shown.

DESCRIPTION

FIG. 1 is a top perspective view of the cushion.
FIG. 2 is a right side view of the cushion.
FIG. 3 is a left side view of the cushion.
FIG. 4 is a top view of the cushion.
FIG. 5 is a bottom view of the cushion; and,
FIG. 6 is a front view of the cushion.

1 Claim, 6 Drawing Sheets



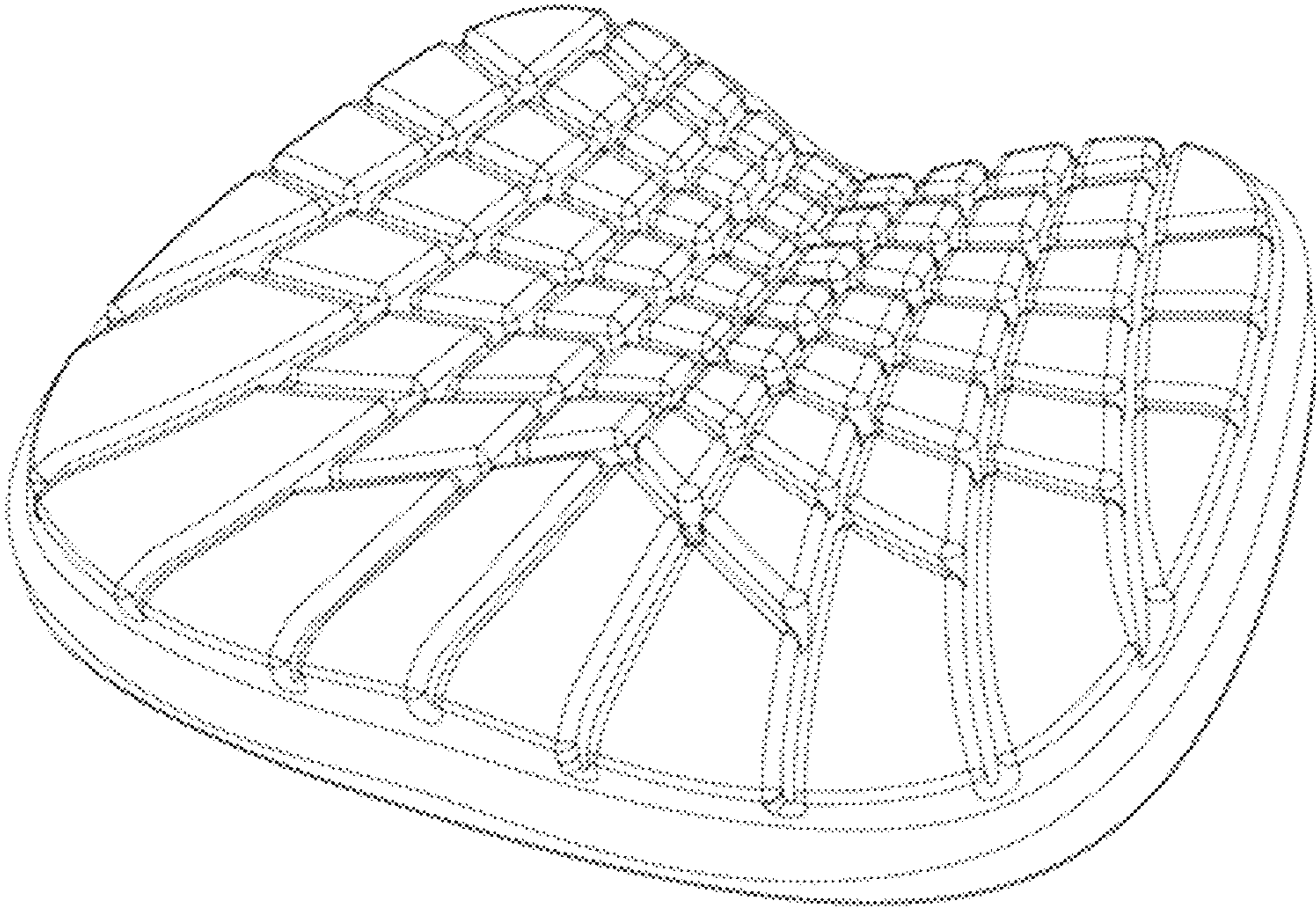


FIG. 1

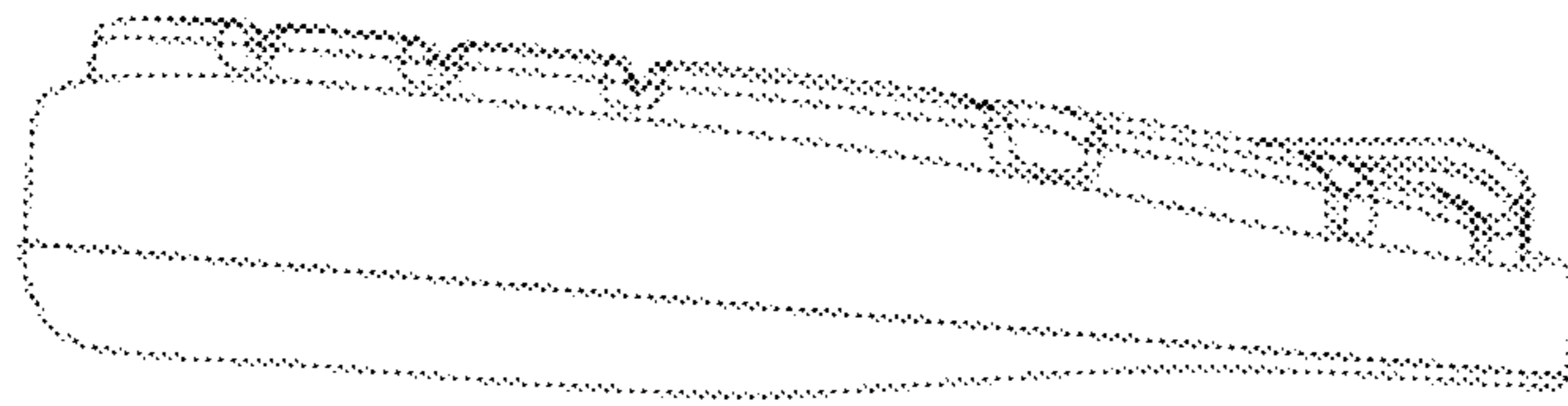


FIG. 2

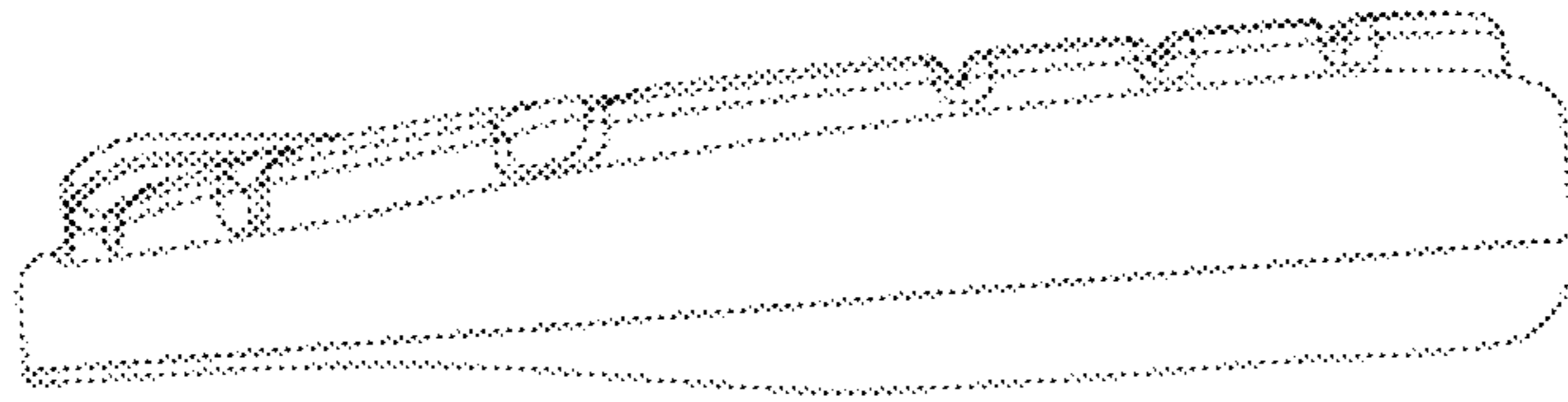


FIG. 3

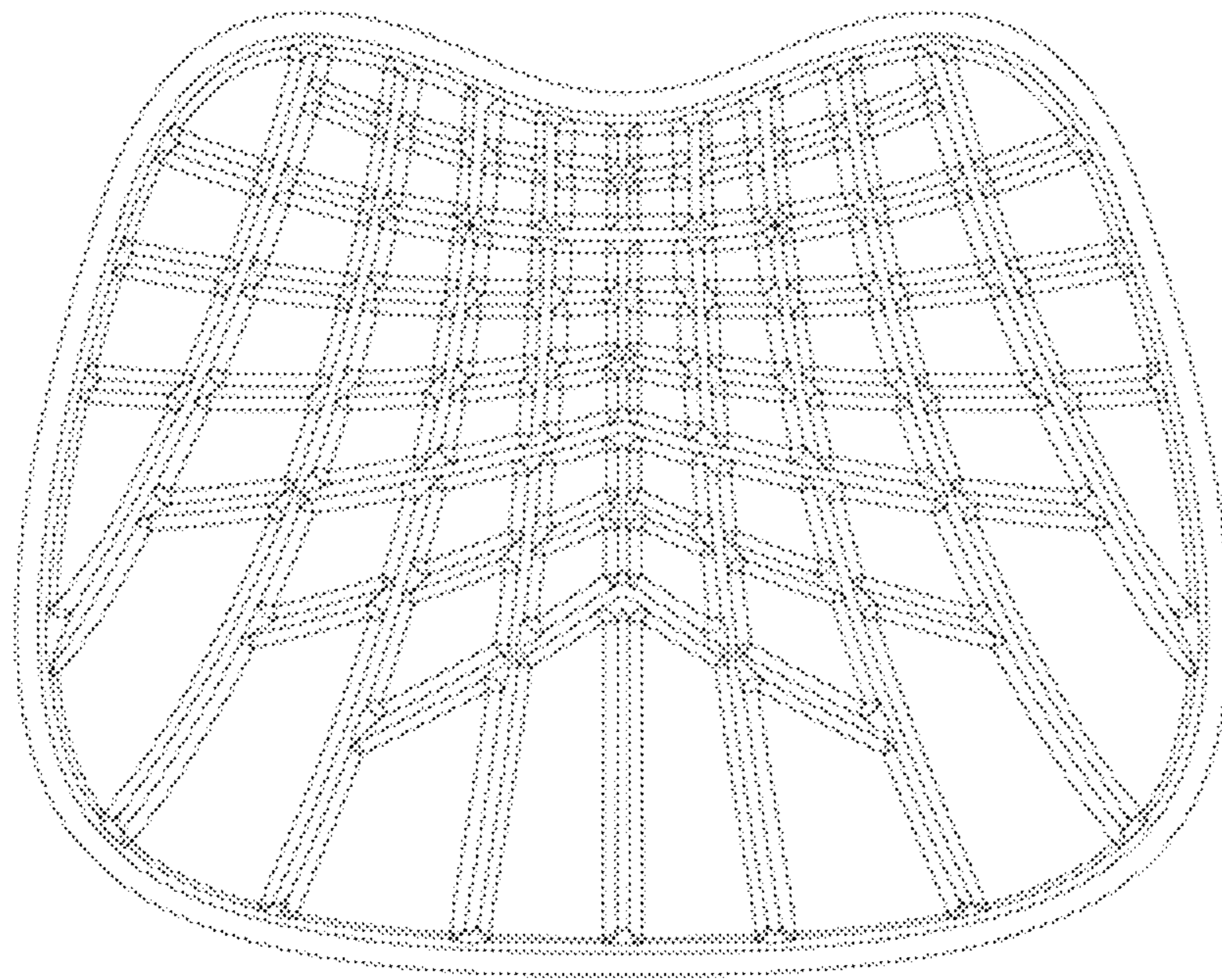


FIG. 4

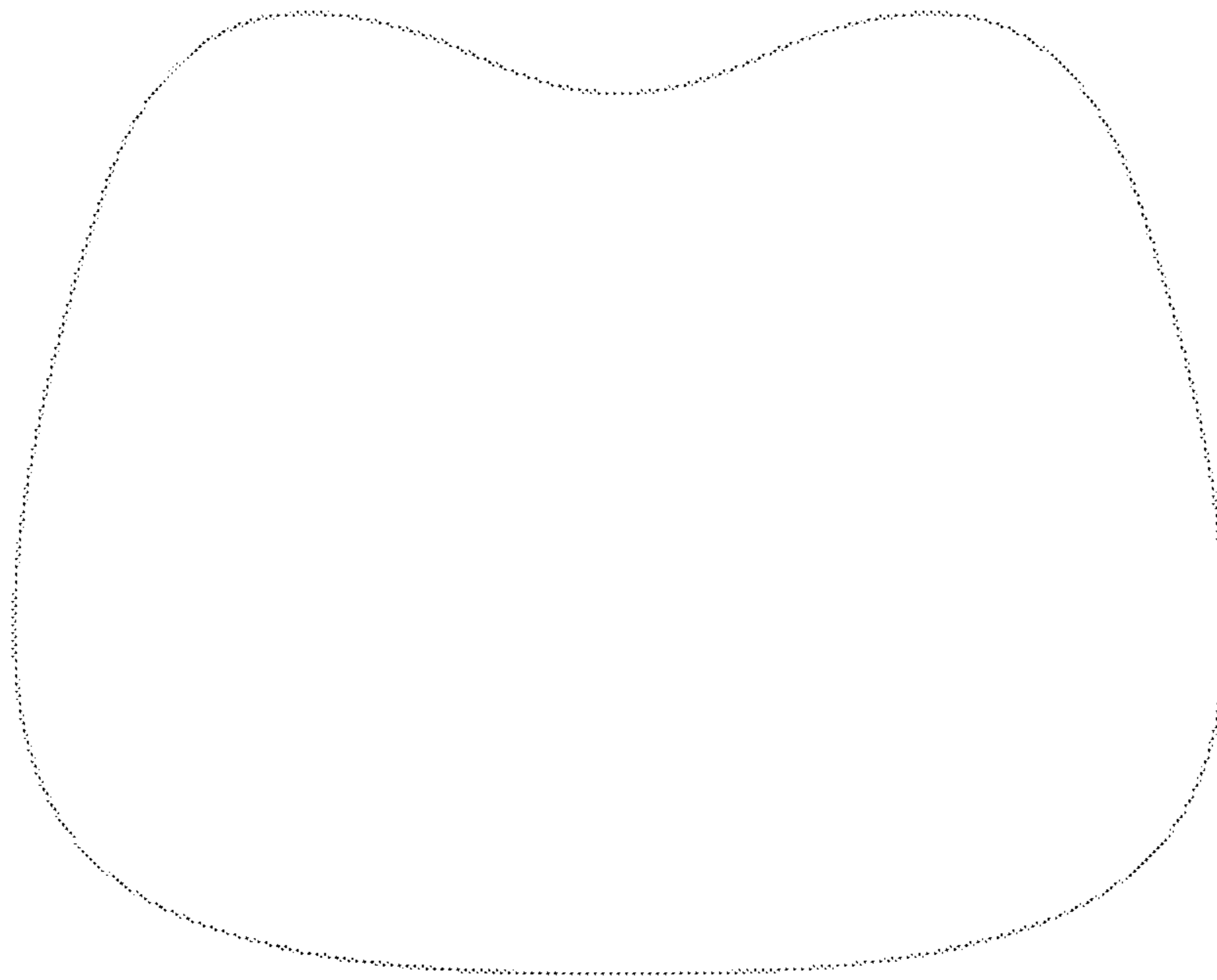


FIG. 5

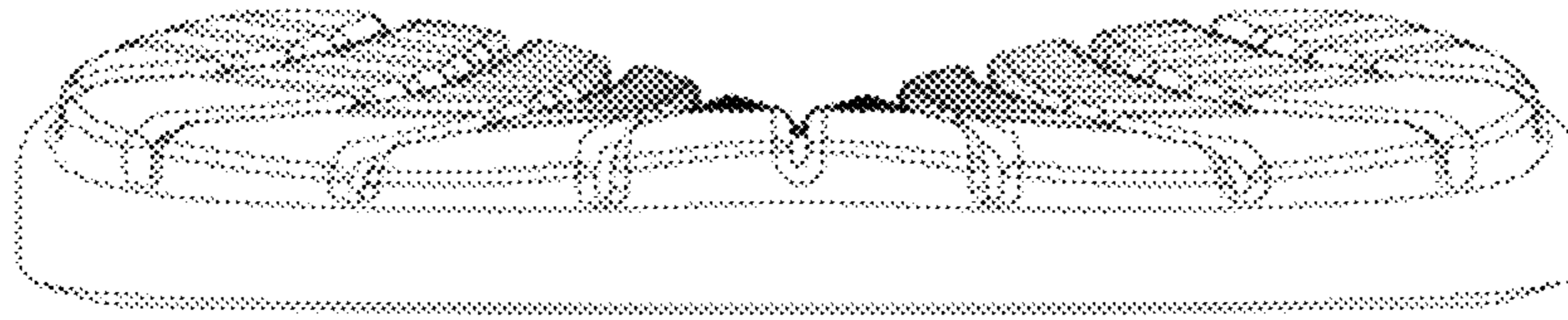


FIG. 6