

US00D898434S

(12) **United States Design Patent** (10) **Patent No.:** **US D898,434 S**
Ponder et al. (45) **Date of Patent:** **** Oct. 13, 2020**

(54) **PILLOW CASE SET**

Primary Examiner — Jennifer L Rempfer

(71) Applicants: **Donny Ponder**, Hernando, MS (US);
Tatiana Ponder, Hernando, MS (US)

(57) **CLAIM**

The ornamental design for a pillow case set, as shown and described.

(72) Inventors: **Donny Ponder**, Hernando, MS (US);
Tatiana Ponder, Hernando, MS (US)

(**) Term: **15 Years**

DESCRIPTION

(21) Appl. No.: **29/683,011**

(22) Filed: **Mar. 10, 2019**

(51) **LOC (12) Cl.** **06-09**

(52) **U.S. Cl.**
USPC **D6/601**

(58) **Field of Classification Search**
USPC D6/595-601, 604, 606; D24/183, 190;
D21/803, 809
CPC A47C 20/00; A47C 20/021; A47C 7/742;
A47C 7/021; A47D 15/001; A47D
15/008; A47G 9/00; A47G 9/10; B62J
1/26

See application file for complete search history.

FIG. 1 is a right side top plan view of an outer pillowcase layer of the pillow case set shown in broken lines for illustrative purposes and does not form any part of the claimed design;

FIG. 2 is a left side bottom plan view of the outer pillowcase layer of the pillow case set of FIG. 1 shown in broken lines for illustrative purposes and does not form any part of the claimed design;

FIG. 3 shows a right side top plan view of my design for an inner pillow case layer of the pillow case set;

FIG. 4 shows a left side top plan view of my design for an inner pillow case layer of the pillow case set;

FIG. 5 shows a left side bottom plan view of my design for an inner pillow case layer of the pillow case set (with the right side bottom plan view being mirror image of);

FIG. 6 shows a front elevation view of my design for an inner pillow case layer of the pillow case set;

FIG. 7 shows a rear elevation view of my design for an inner pillow case layer of the pillow case set;

FIG. 8 shows a left side elevation view of my design for an inner pillow case layer of the pillow case set;

FIG. 9 shows a bottom perspective view of my design for an inner pillow case layer of the pillow case set;

FIG. 10 shows a top perspective view of my design for an inner pillow case layer of the pillow case set;

FIG. 11 shows a front right side top exploded plan view of my design for a pillow case set (with the front left side bottom exploded view being a mirror image of); and,

FIG. 12 shows a front left side bottom exploded plan view of my design for a pillow case set (with the front right side bottom exploded plan view being mirror image of).

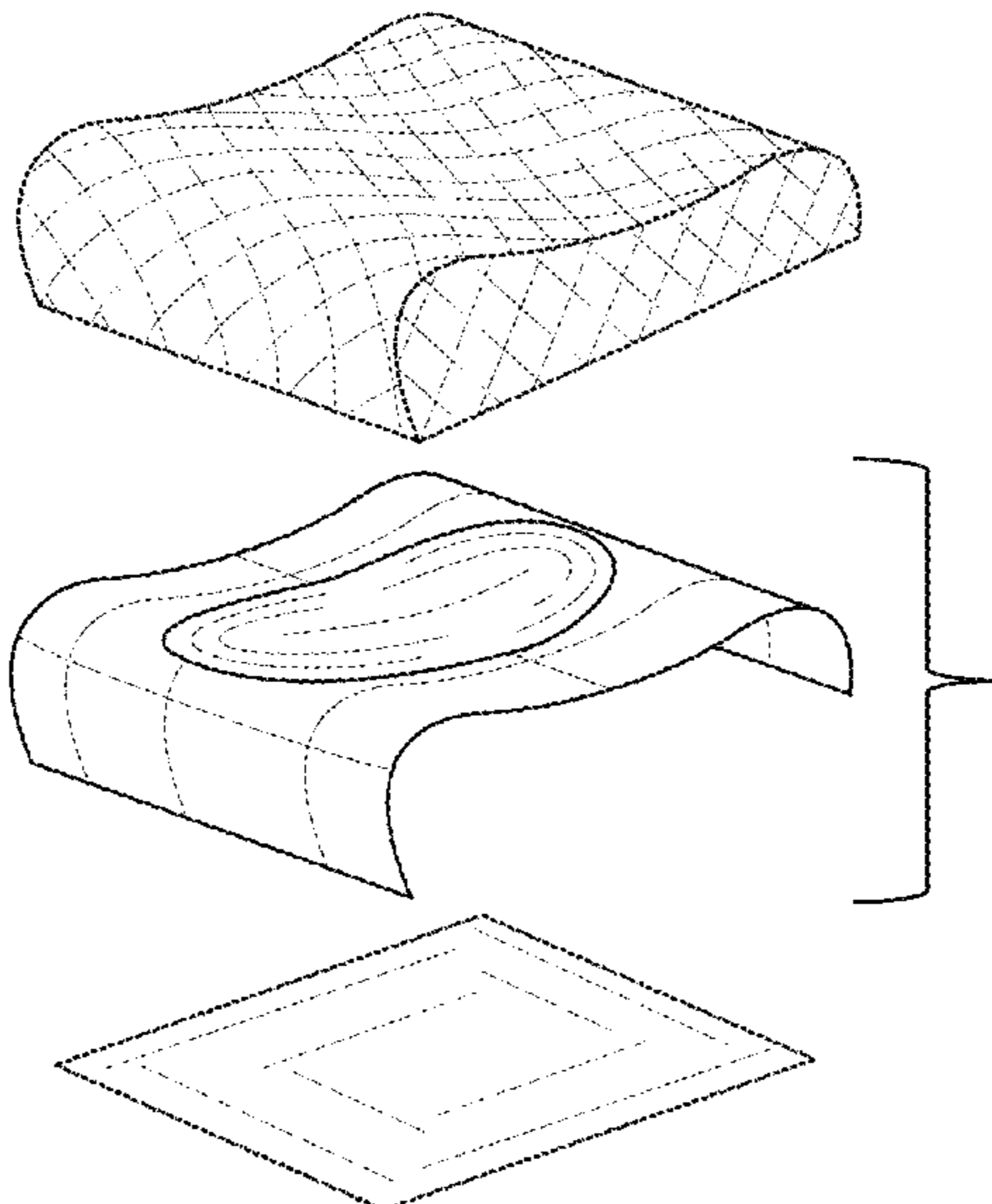
(56) **References Cited**

U.S. PATENT DOCUMENTS

- 2,759,200 A * 8/1956 Johnston A47G 9/0253
5/490
- 3,974,531 A * 8/1976 Van Pelt A47G 9/0253
5/490
- 4,144,603 A * 3/1979 Schaechter A47G 9/0253
5/490
- 4,706,314 A * 11/1987 Grant B32B 5/06
5/484
- 7,051,389 B2 * 5/2006 Wassilefky A47G 9/10
5/490
- D581,713 S * 12/2008 Berke D6/601
- 8,656,537 B2 * 2/2014 Leifermann A47G 9/10
5/636
- D720,157 S * 12/2014 Villena D6/601
- D778,637 S * 2/2017 Barry D6/601

(Continued)

1 Claim, 7 Drawing Sheets



(56)

References Cited

U.S. PATENT DOCUMENTS

D840,723 S * 2/2019 Dompierre D6/601
2004/0154101 A1 * 8/2004 DiGirolamo A47G 9/0253
5/490
2007/0028383 A1 * 2/2007 Mehrotra A47G 9/0253
5/482
2007/0256241 A1 * 11/2007 Harmon A47G 9/0253
5/489
2016/0220048 A1 * 8/2016 Lacroix A47G 9/0253

* cited by examiner

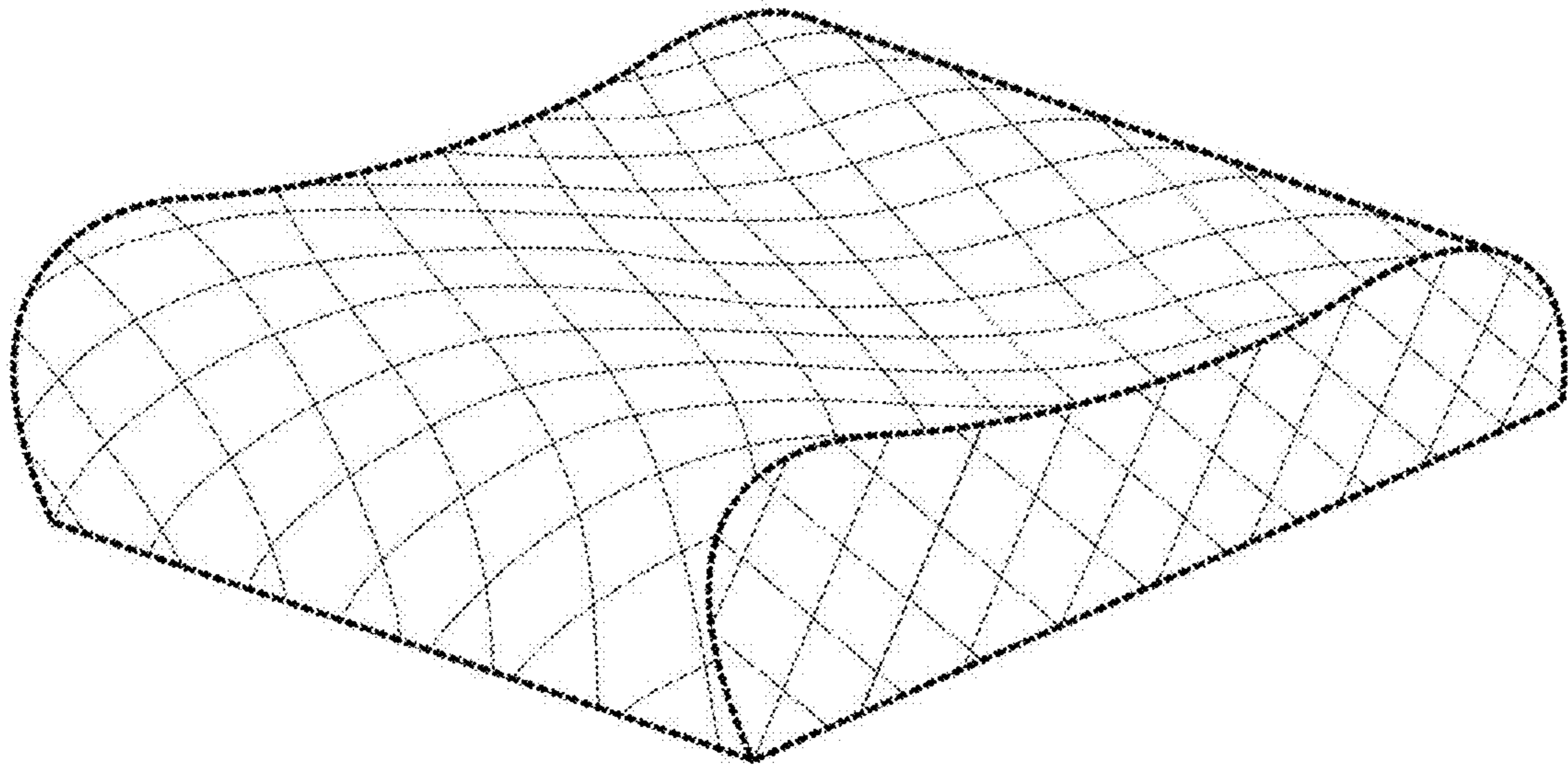


Fig. 1

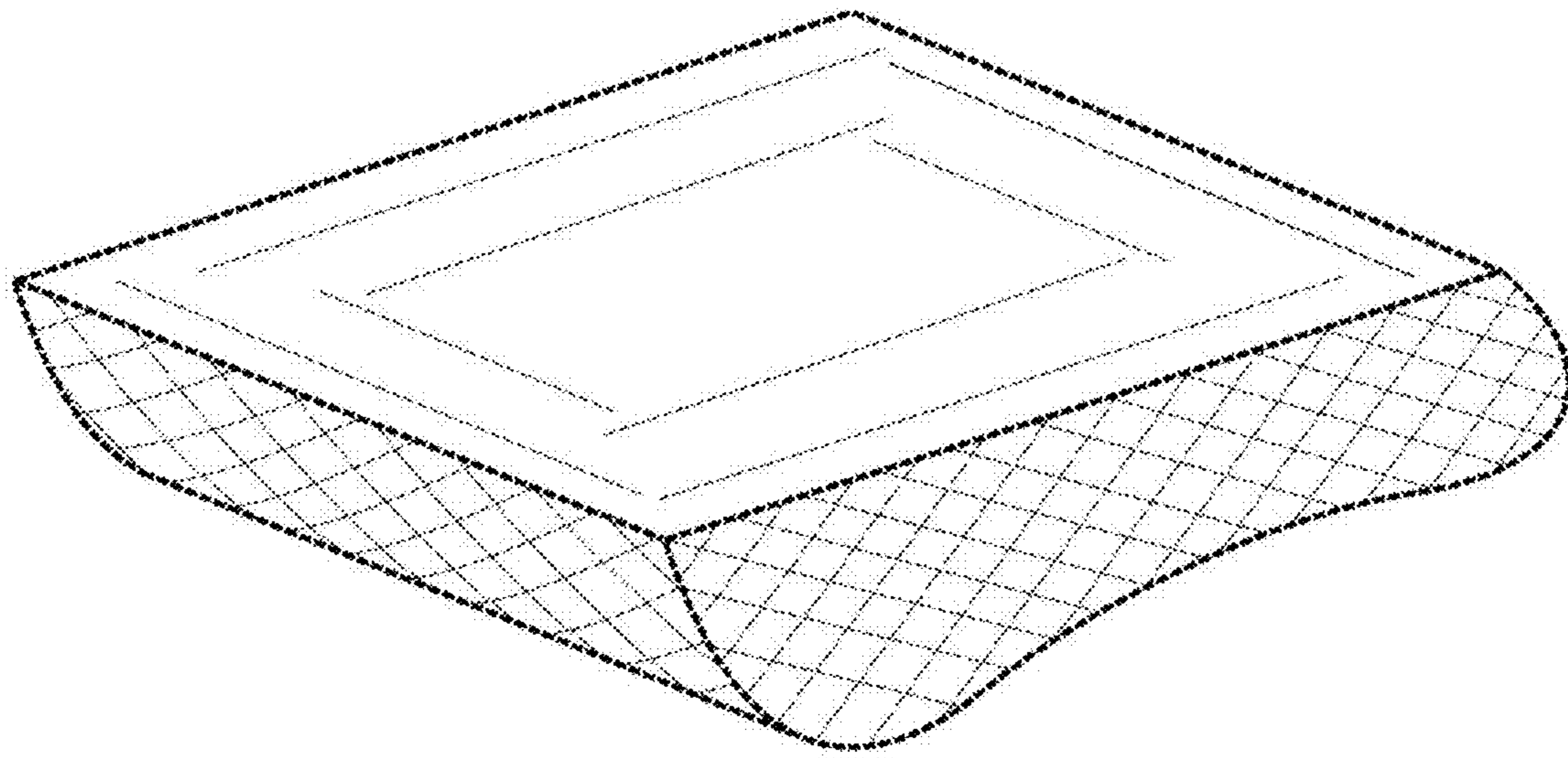


Fig. 2

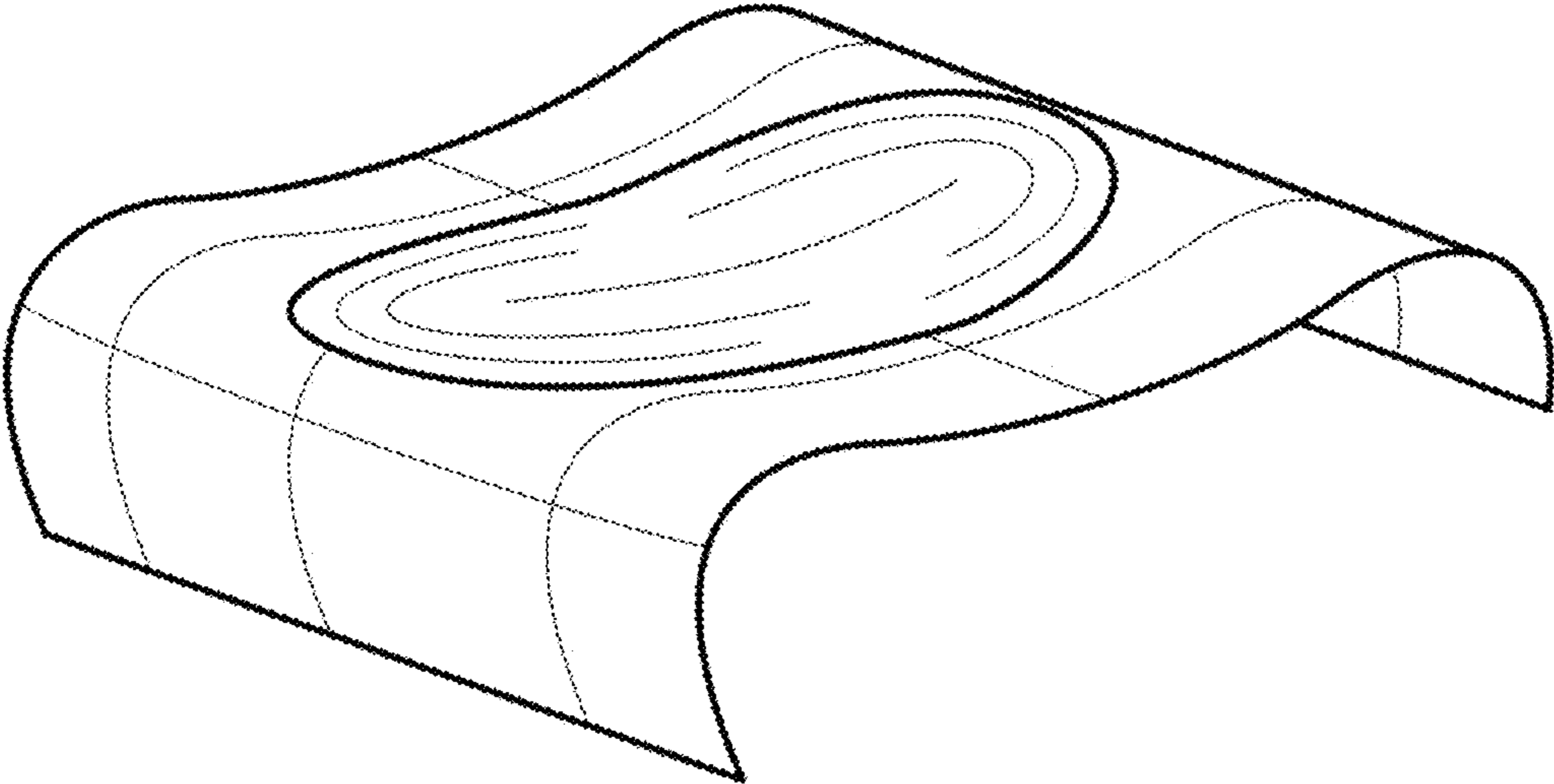


Fig.3

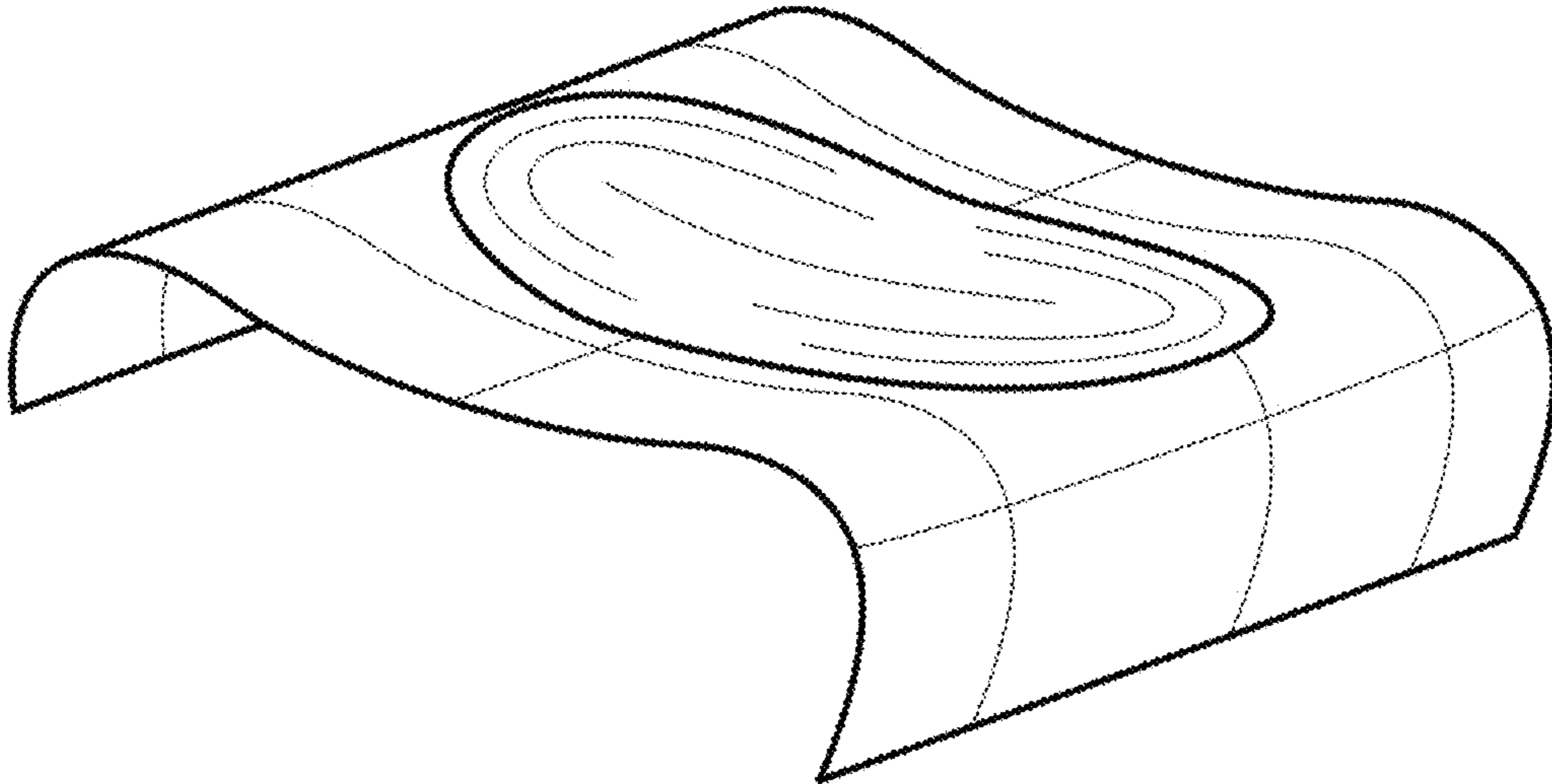


Fig. 4

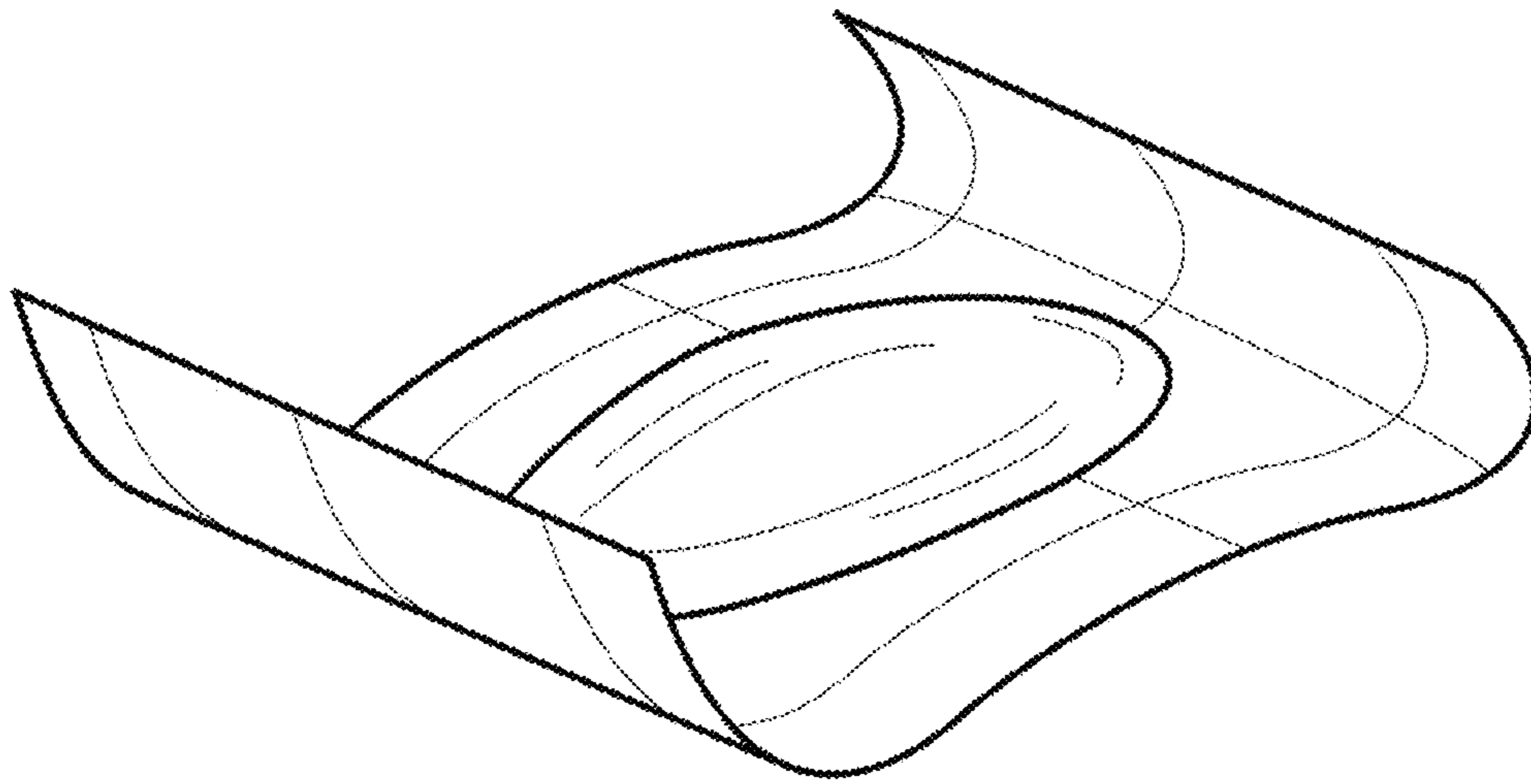


Fig. 5

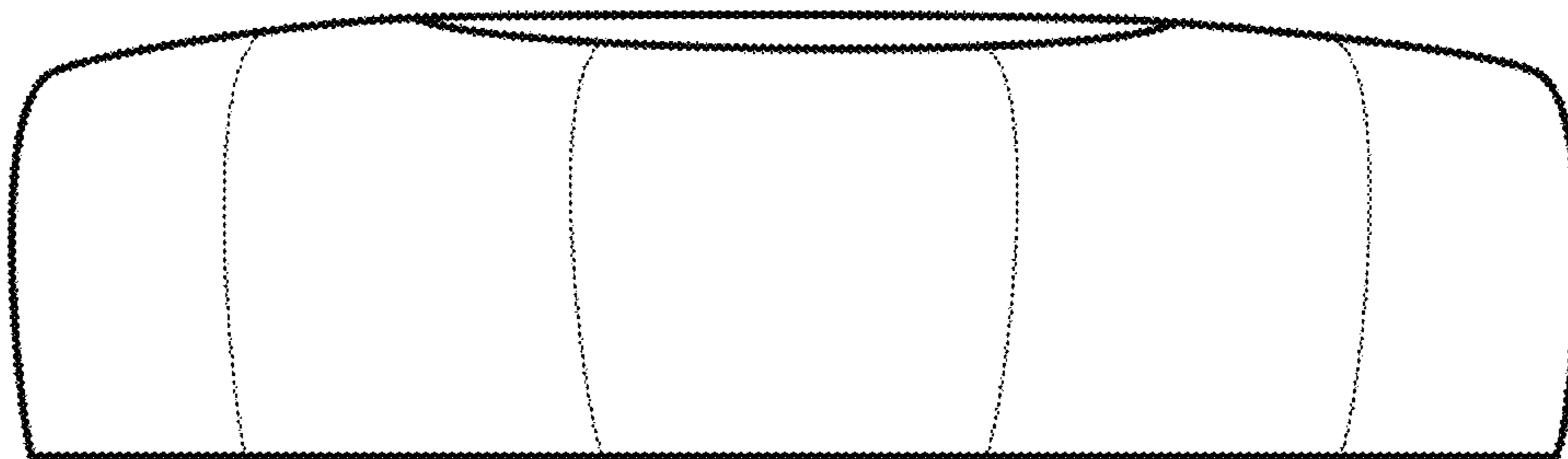


Fig 6

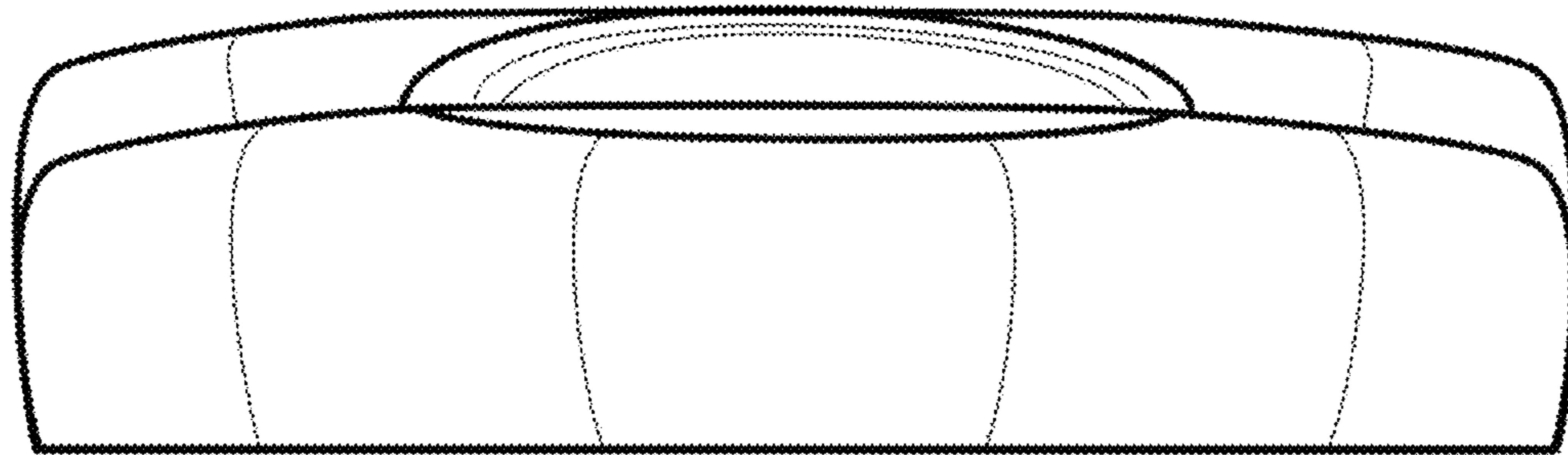


Fig 7



Fig 8

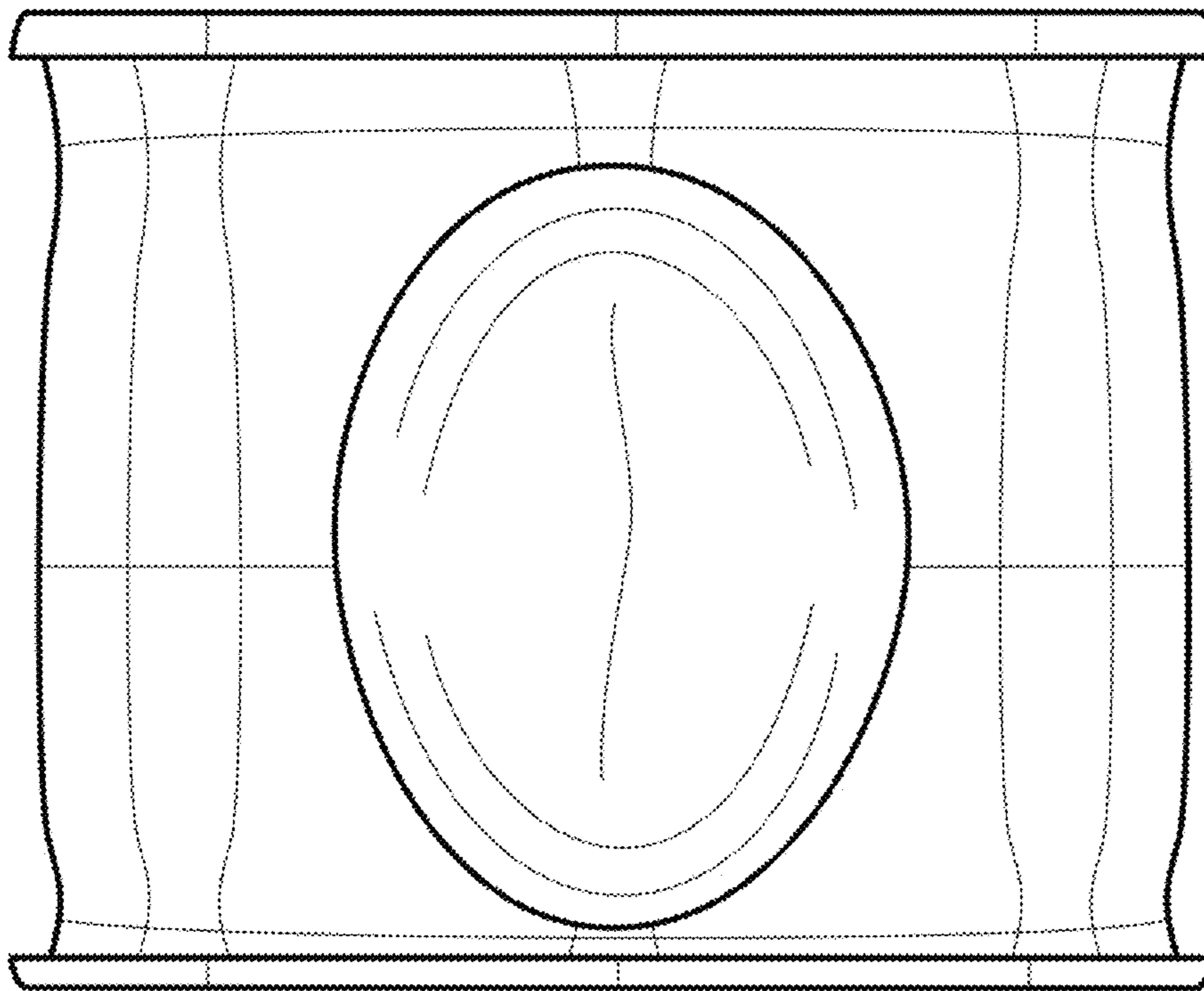


Fig. 9

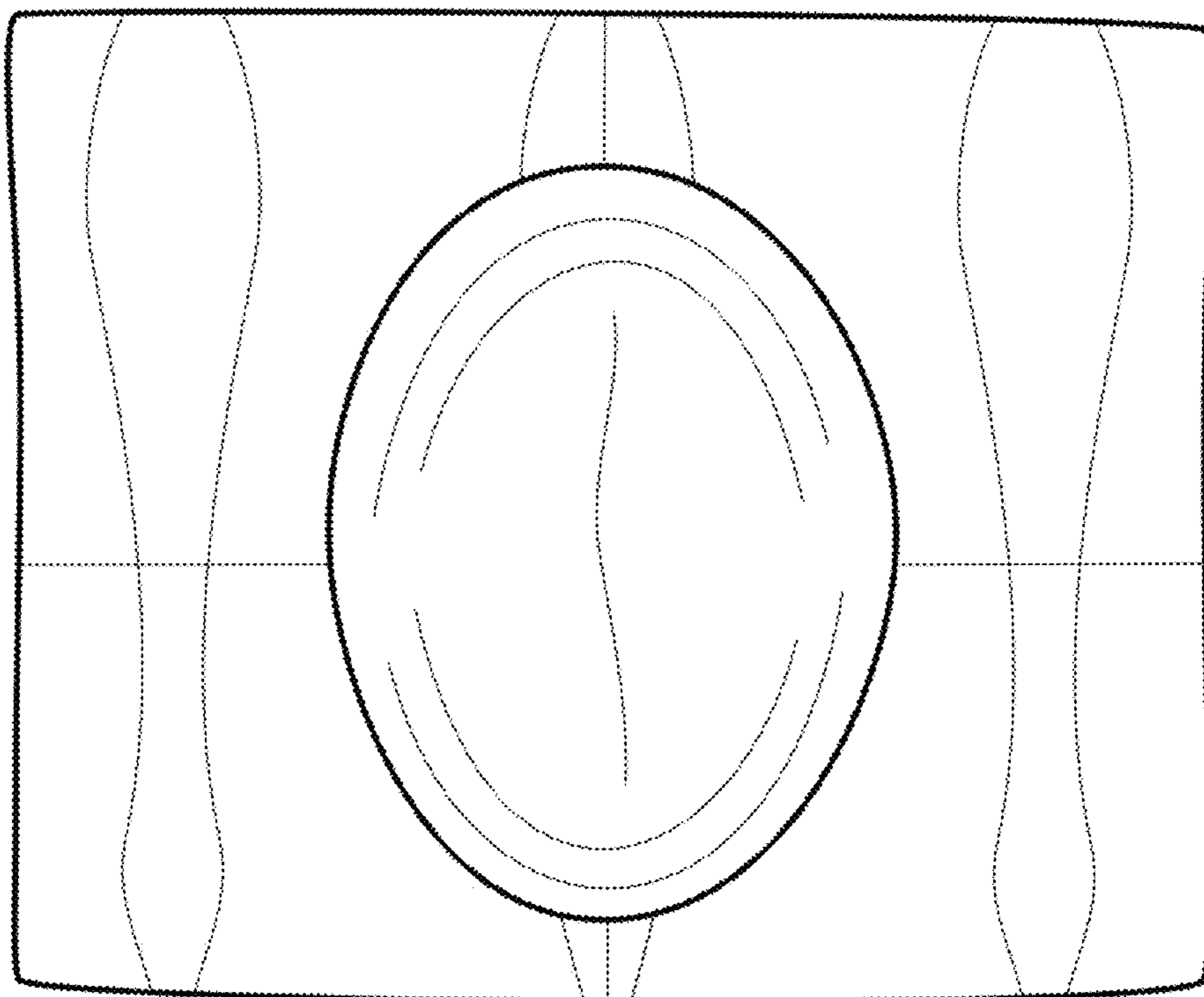


Fig 10

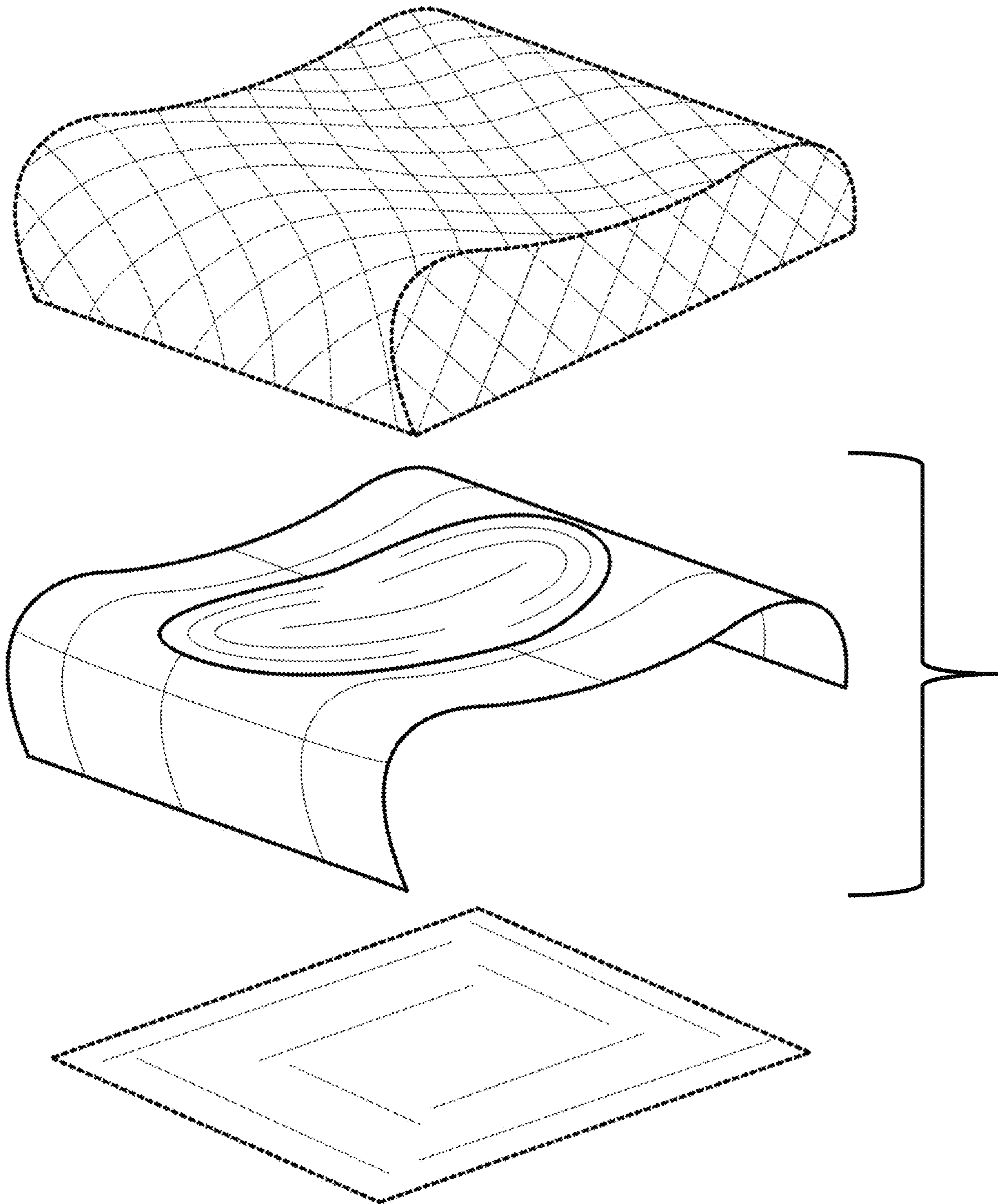


Fig. 11

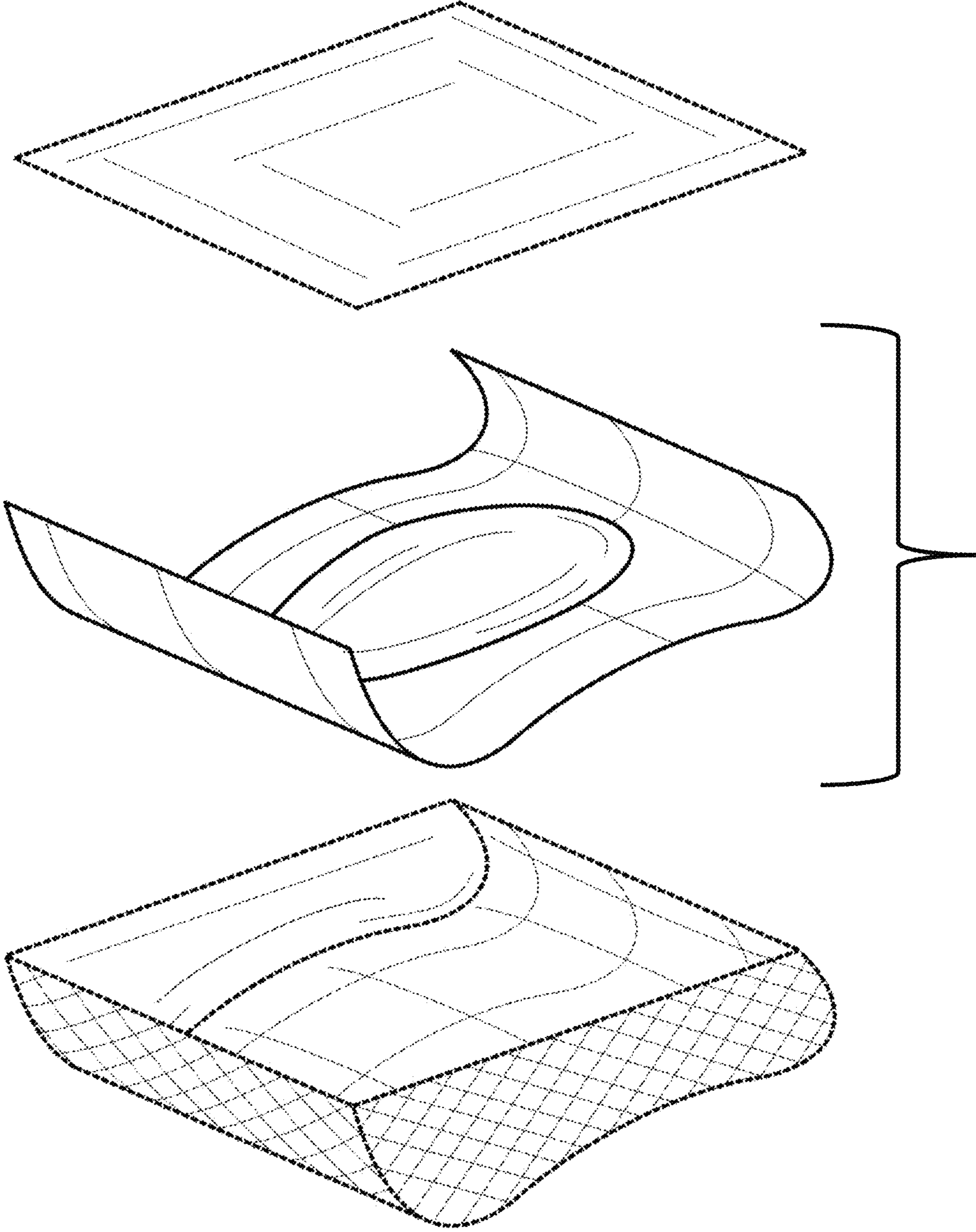


Fig. 12