



US00D898431S

(12) **United States Design Patent**  
**Huang**

(10) **Patent No.:** **US D898,431 S**

(45) **Date of Patent:** **\*\* Oct. 13, 2020**

(54) **NECK PILLOW**

(71) Applicant: **SHENZHEN BOANJU HOUSEHOLD PRODUCTS CO., LTD.**, Shenzhen (CN)

(72) Inventor: **Jiasheng Huang**, Shenzhen (CN)

(73) Assignee: **Shenzhen Boanju Household Products Co., Ltd.**, Shenzhen (CN)

(\*\*) Term: **15 Years**

(21) Appl. No.: **29/674,899**

(22) Filed: **Dec. 27, 2018**

(51) **LOC (12) Cl.** ..... **06-09**

(52) **U.S. Cl.**  
USPC ..... **D6/601**

(58) **Field of Classification Search**  
USPC ..... D6/582–583, 587–592, 595–609, D6/617–622; D21/803–809; D24/183  
CPC ..... A47G 9/00; A47G 2009/001; A47G 2009/002; A47G 2009/003; A47G 9/10; A47G 9/1009; A47G 2009/1018; A47G 9/1045; A47G 9/1081; A47G 9/109  
See application file for complete search history.

(56) **References Cited**

**U.S. PATENT DOCUMENTS**

6,457,195 B1 \* 10/2002 Holste ..... A47C 7/383  
5/636  
7,540,050 B1 \* 6/2009 Nazer ..... A47C 20/021  
5/632

D765,442 S \* 9/2016 Yaakov ..... D6/601  
D766,016 S \* 9/2016 Fornango ..... D6/601  
9,693,638 B1 \* 7/2017 Leach ..... A47D 13/08  
D815,862 S \* 4/2018 Takashima ..... D6/601  
D868,502 S \* 12/2019 Omelchenko ..... D6/601  
2005/0278864 A1 \* 12/2005 Leach ..... A47C 20/021  
5/732

\* cited by examiner

*Primary Examiner* — Jennifer L Rempfer

(74) *Attorney, Agent, or Firm* — Rosenberg, Klein & Lee

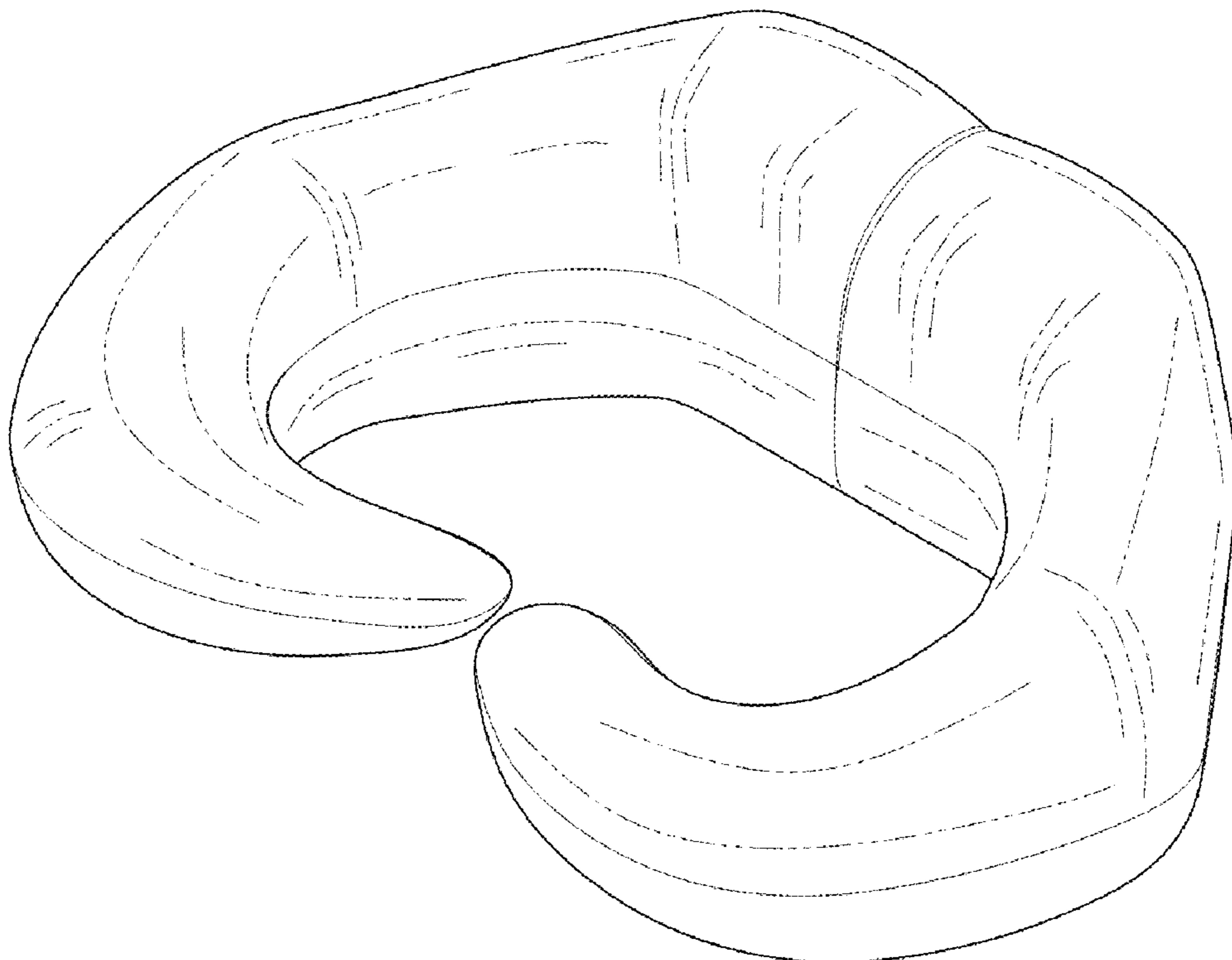
(57) **CLAIM**

The ornamental design for a neck pillow, as shown and described.

**DESCRIPTION**

FIG. 1 is a perspective view of the neck pillow showing my new design;  
FIG. 2 is a front elevational view thereof;  
FIG. 3 is a rear front elevational view thereof;  
FIG. 4 is a left side elevational view thereof;  
FIG. 5 is a right side elevational view thereof;  
FIG. 6 is a top plan view thereof;  
FIG. 7 is a bottom plan view thereof; and,  
FIG. 8 is a further perspective view of the neck pillow showing my new design.

**1 Claim, 8 Drawing Sheets**



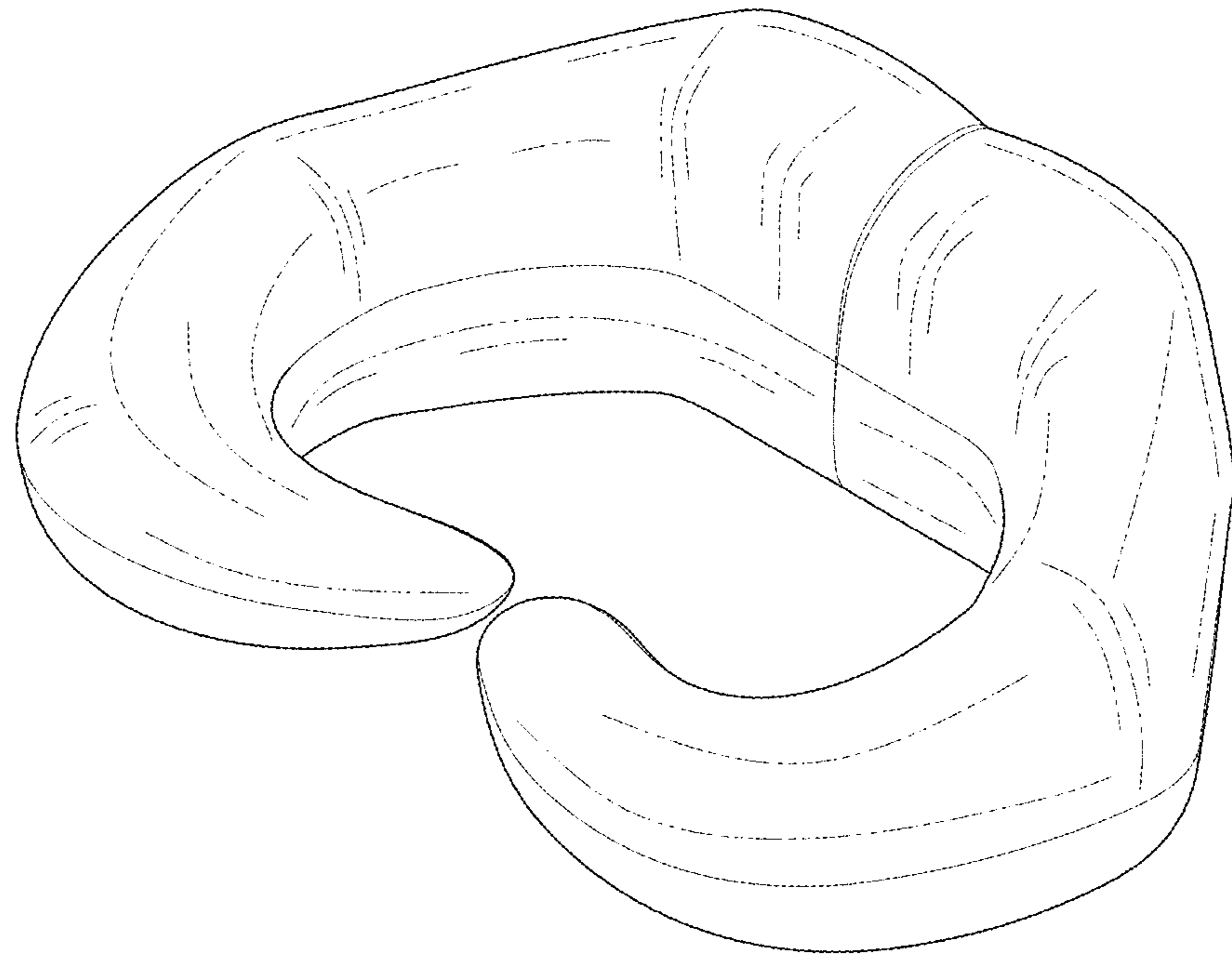


FIG.1

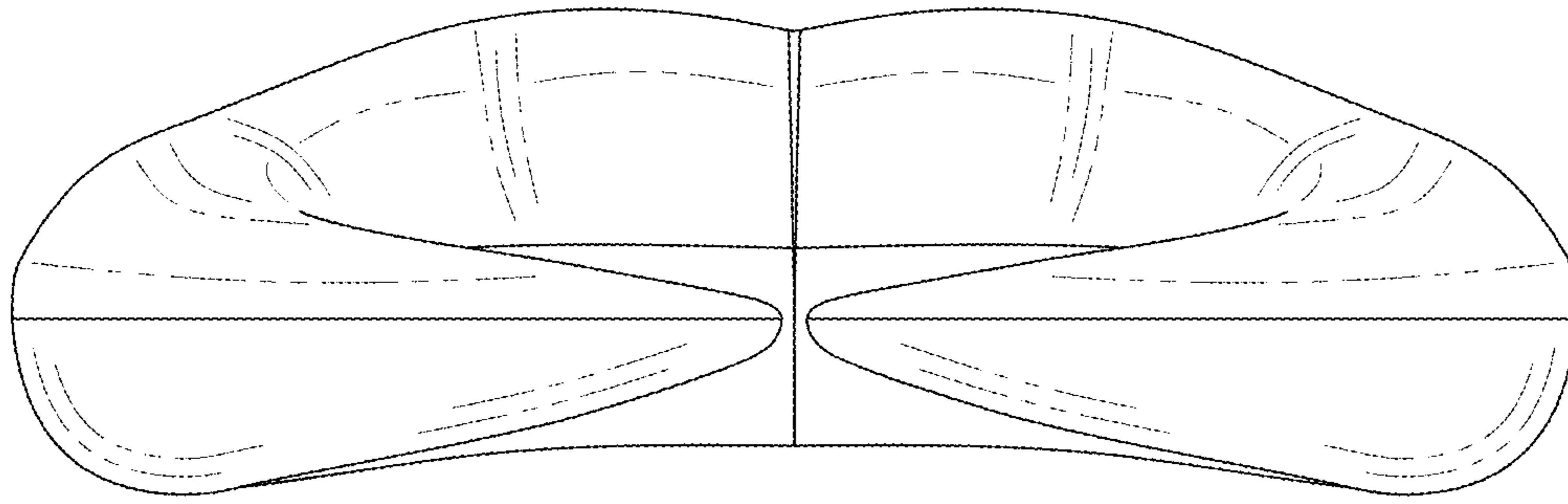


FIG.2

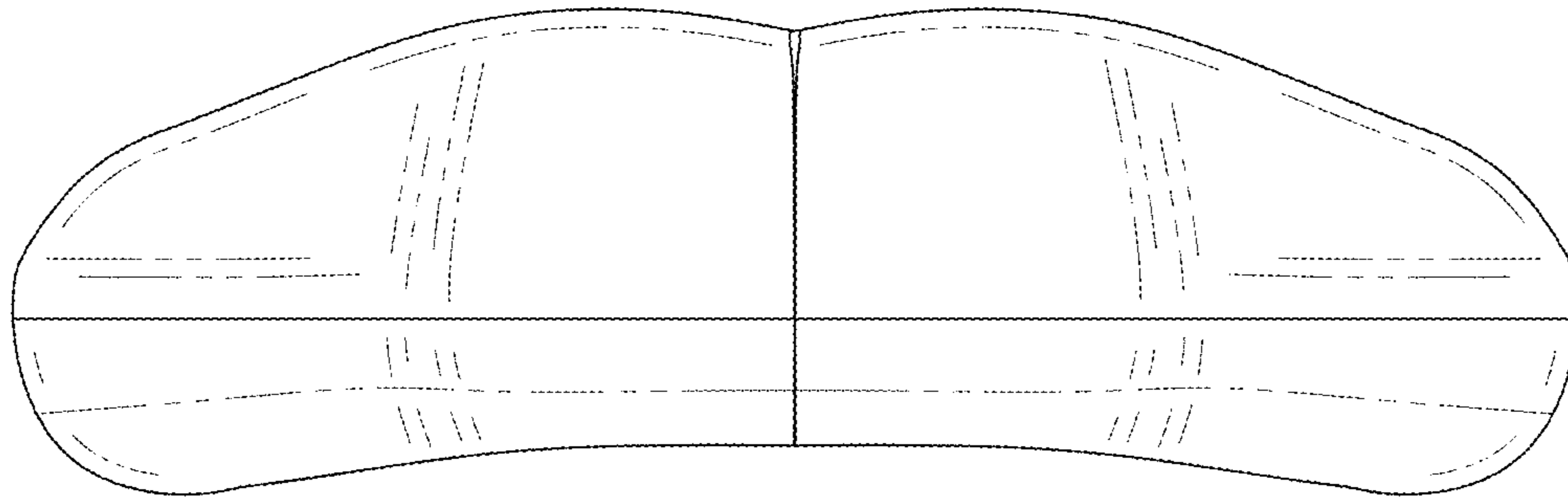


FIG.3

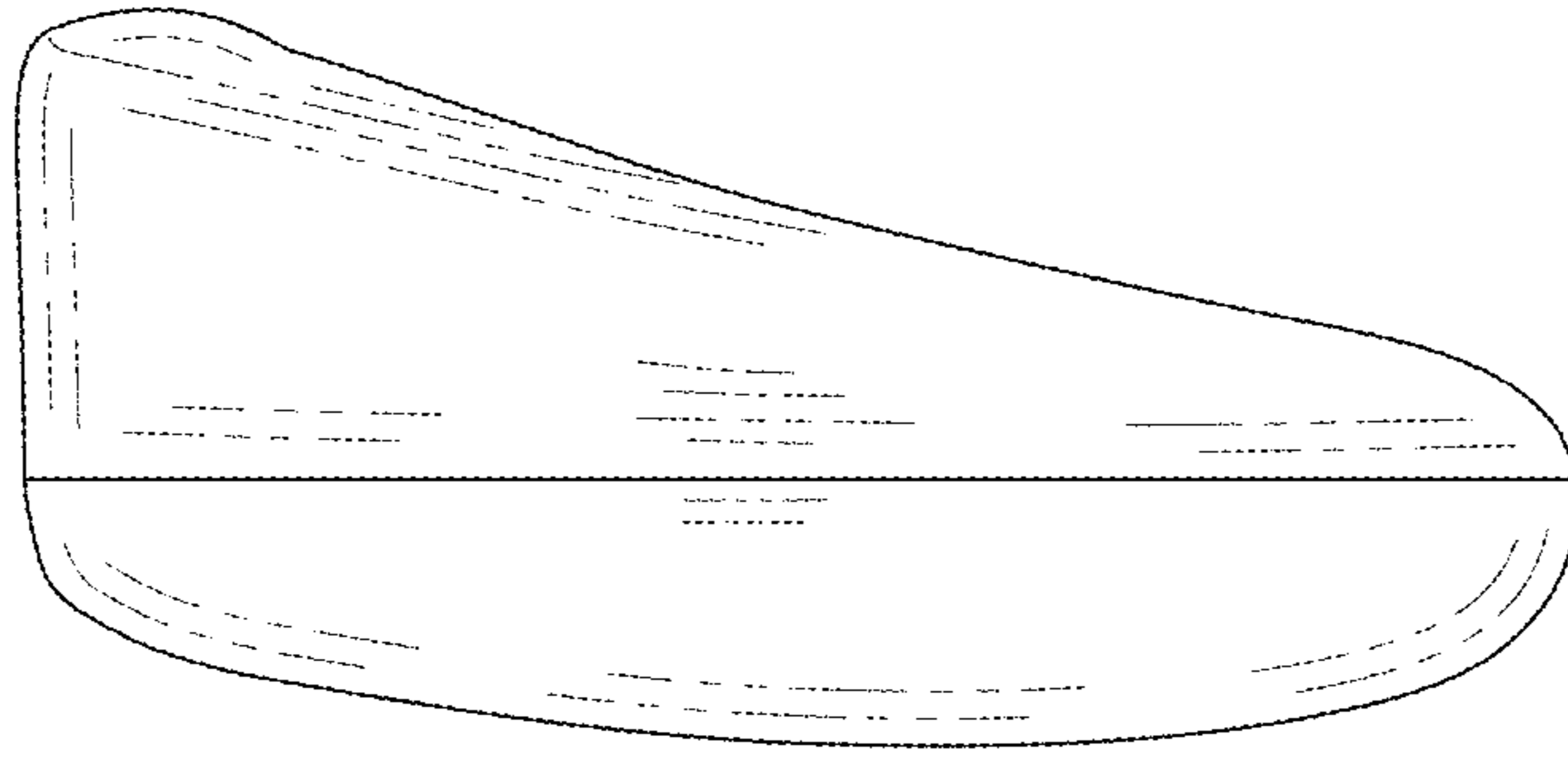


FIG.4

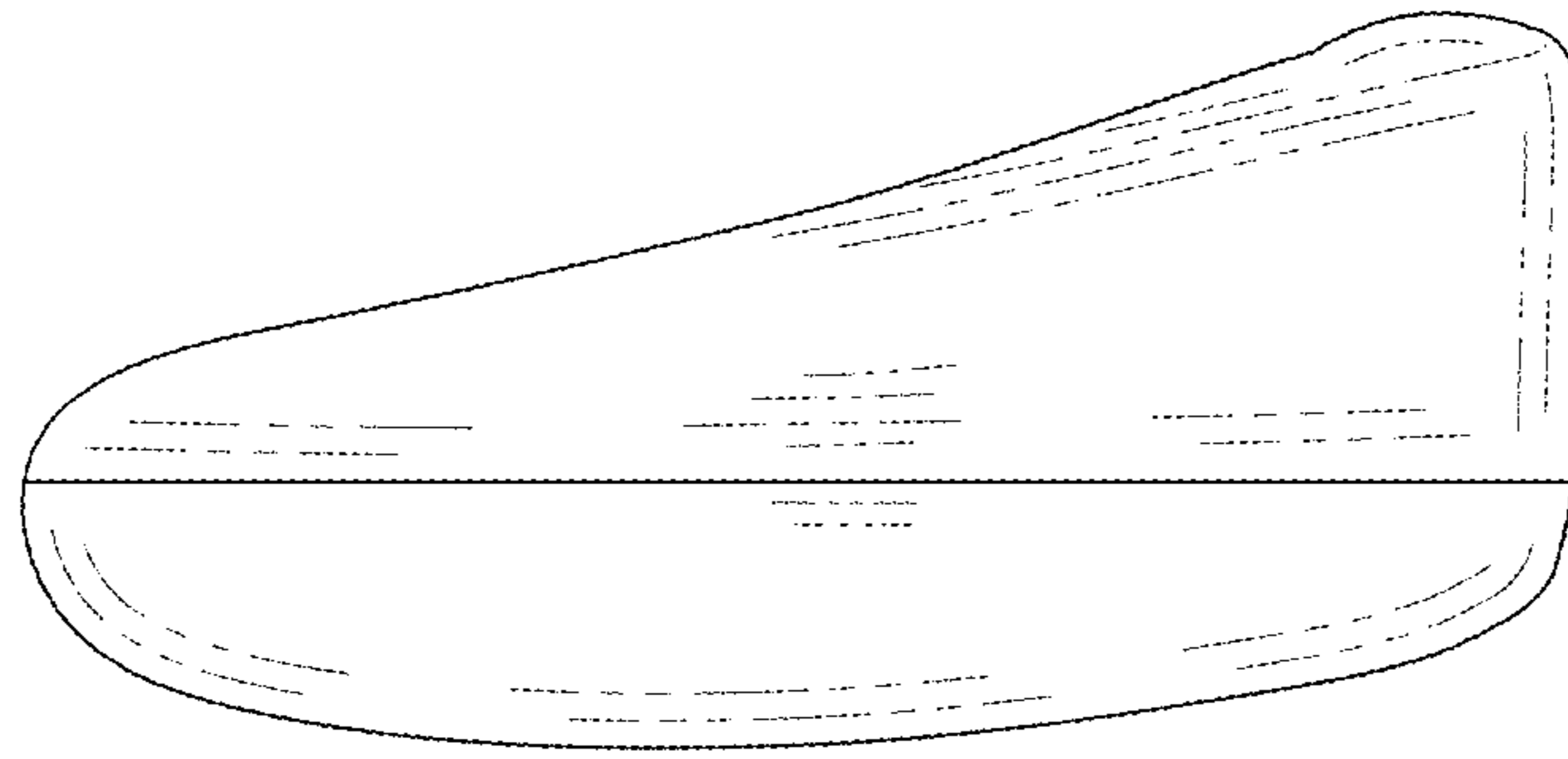


FIG.5

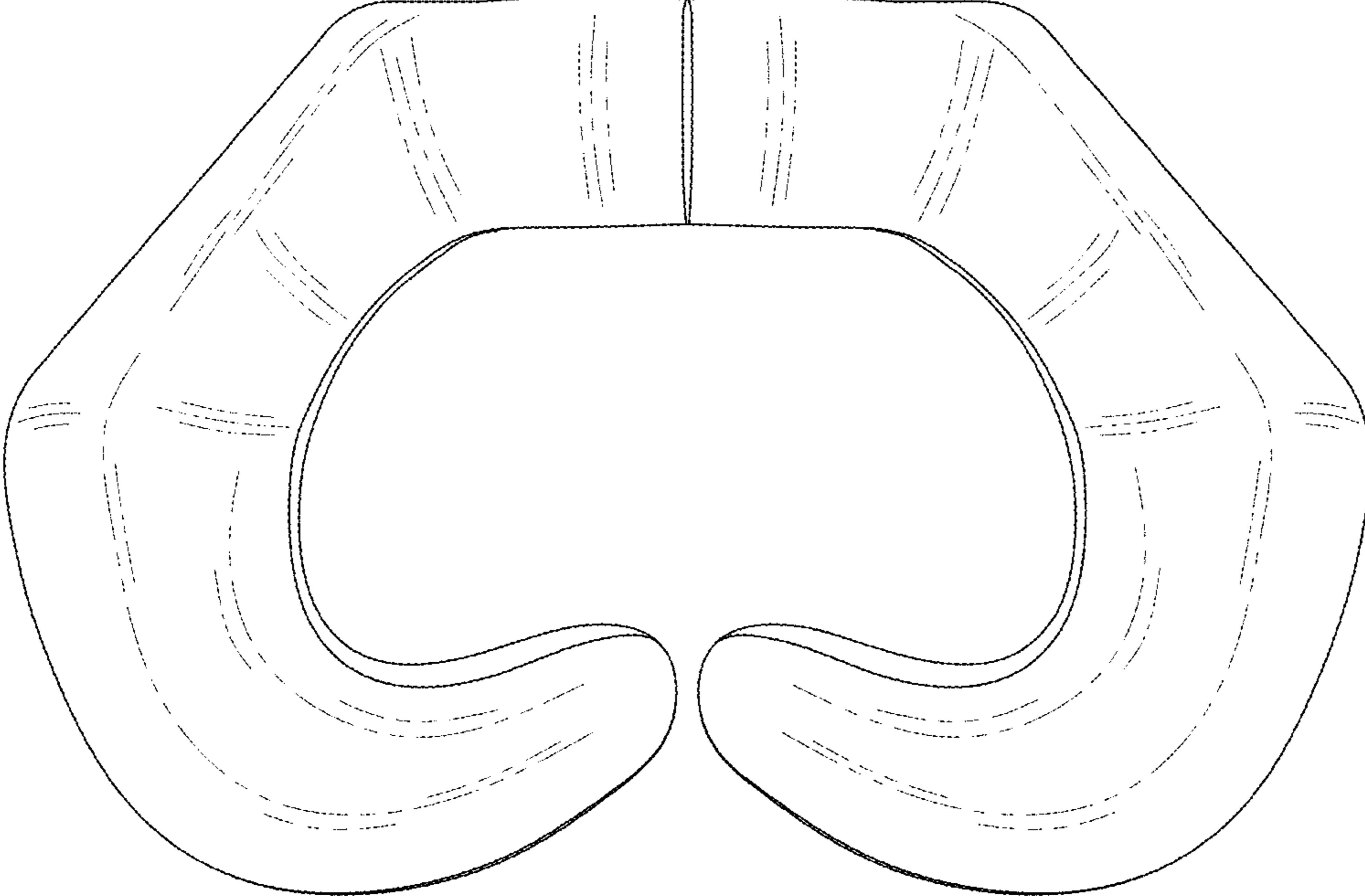


FIG.6

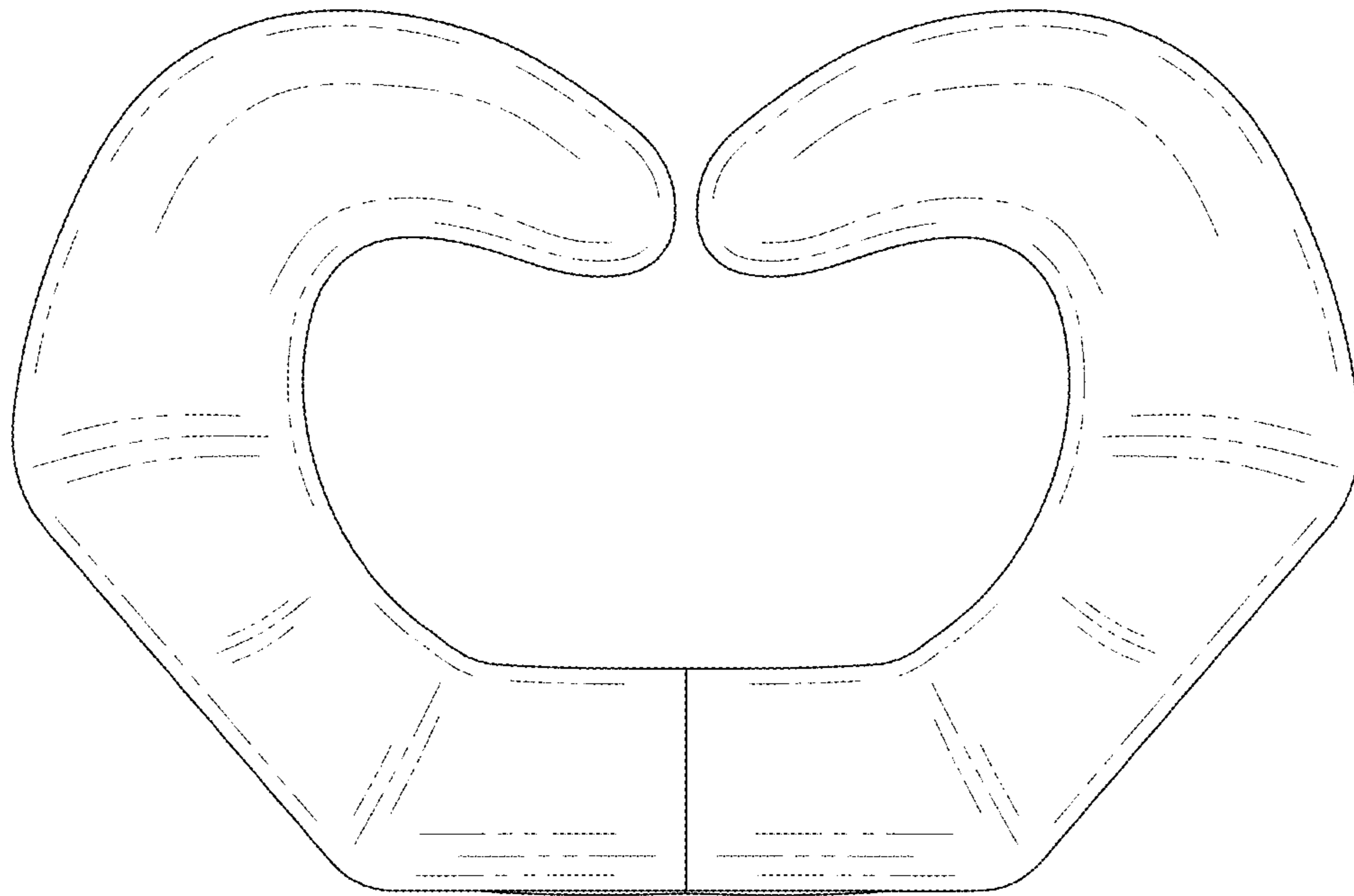


FIG.7



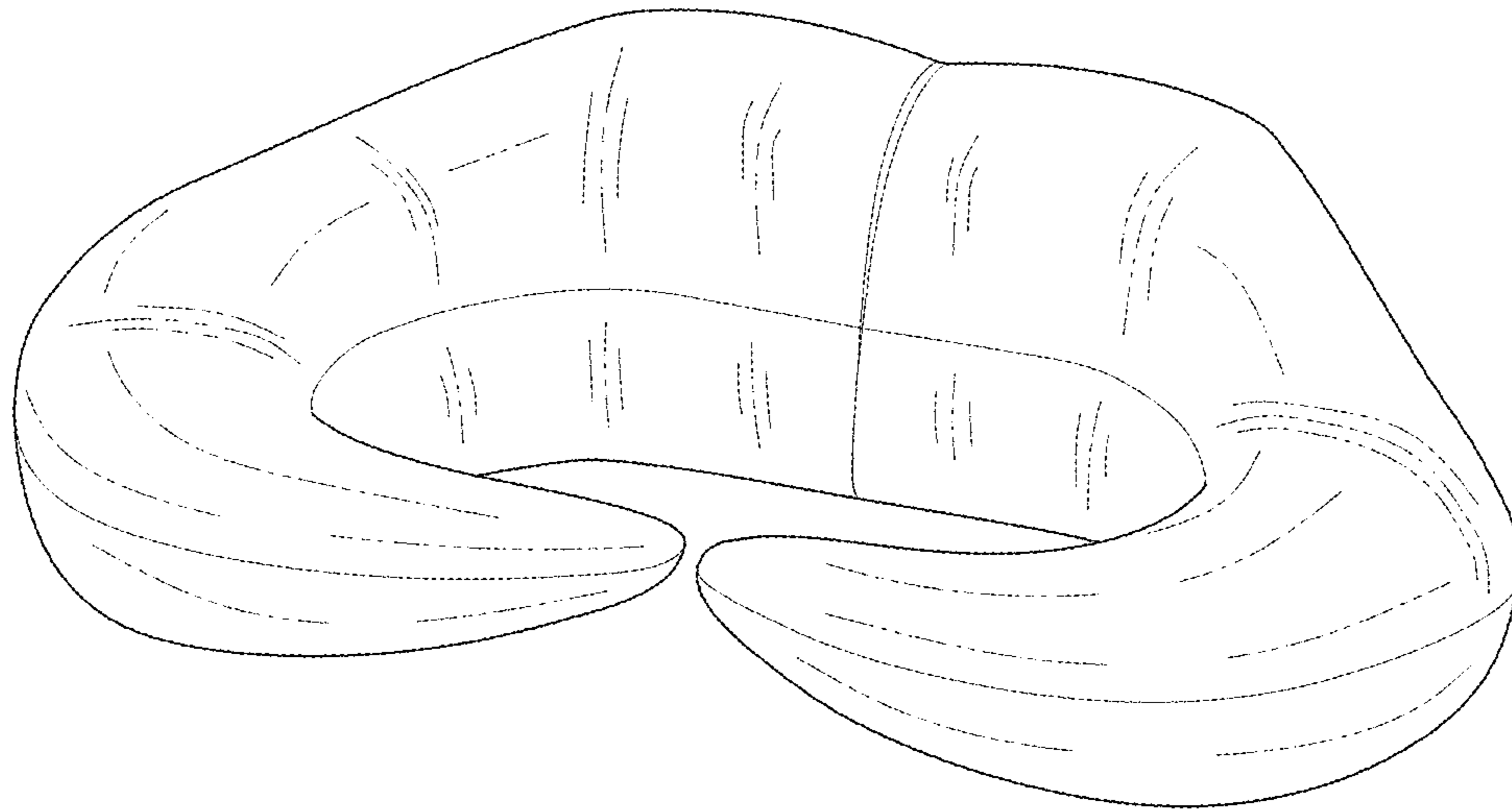


FIG.8