



US00D898430S

(12) **United States Design Patent** (10) **Patent No.:** **US D898,430 S**  
**Kulik et al.** (45) **Date of Patent:** **\*\* Oct. 13, 2020**

(54) **DOUBLE LEG ELEVATOR PILLOW**

(71) Applicant: **Milliard Enterprises Limited Liability Company**, Lakewood, NJ (US)

(72) Inventors: **Simi Kulik**, Toms River, NJ (US);  
**Esther Davis**, Lakewood, NJ (US)

(73) Assignee: **Milliard Enterprises Limited Liability Company**, Lakewood, NJ (US)

(\*\*) Term: **15 Years**

(21) Appl. No.: **29/674,268**

(22) Filed: **Dec. 20, 2018**

(51) **LOC (12) Cl.** ..... **06-09**

(52) **U.S. Cl.**

USPC ..... **D6/601**; D24/190

(58) **Field of Classification Search**

USPC ..... D24/183, 184, 190; D6/596-604

CPC ..... A47G 9/10; A47C 20/021; A47C 20/023;

A47C 16/00; A47C 20/026; A47C

20/027; A61G 7/0755; A61G 13/121;

A61G 7/075; A61G 13/1235

See application file for complete search history.

(56) **References Cited**

**U.S. PATENT DOCUMENTS**

3,946,451	A	3/1976	Spann	
D345,797	S *	4/1994	Gardner	5/648
5,477,866	A	12/1995	Davenport	
D383,637	S *	9/1997	Musco	D6/601
D386,643	S *	11/1997	Farrell	D6/596
5,745,939	A	5/1998	Flick et al.	
D407,259	S *	3/1999	Jackson	D6/601

D424,698	S *	5/2000	Ames	D24/183
D442,006	S *	5/2001	Miller	D6/601
6,935,697	B2	8/2005	Conlon et al.	
D625,421	S *	10/2010	Sharps	D24/184
8,479,333	B2	7/2013	Gould et al.	
D732,174	S	6/2015	Johnson et al.	
D734,545	S *	7/2015	Cantu	D28/57
D736,391	S	8/2015	Johnson et al.	
D759,825	S	6/2016	Johnson et al.	
D783,834	S	4/2017	Johnson et al.	
D837,566	S *	1/2019	Connors	D6/601
D871,593	S *	12/2019	Rossouw	D24/190

\* cited by examiner

*Primary Examiner* — Jennifer L Rempfer

(74) *Attorney, Agent, or Firm* — William G. Heedy; The Van Winkle Law Firm

(57) **CLAIM**

The ornamental design for a double leg elevator pillow, as shown and described.

**DESCRIPTION**

FIG. 1 is a perspective view of a design for a double leg elevator pillow.

FIG. 2 is a top plan view thereof.

FIG. 3 is a bottom plan view thereof.

FIG. 4 is a left side elevational view thereof.

FIG. 5 is a right side elevational view thereof.

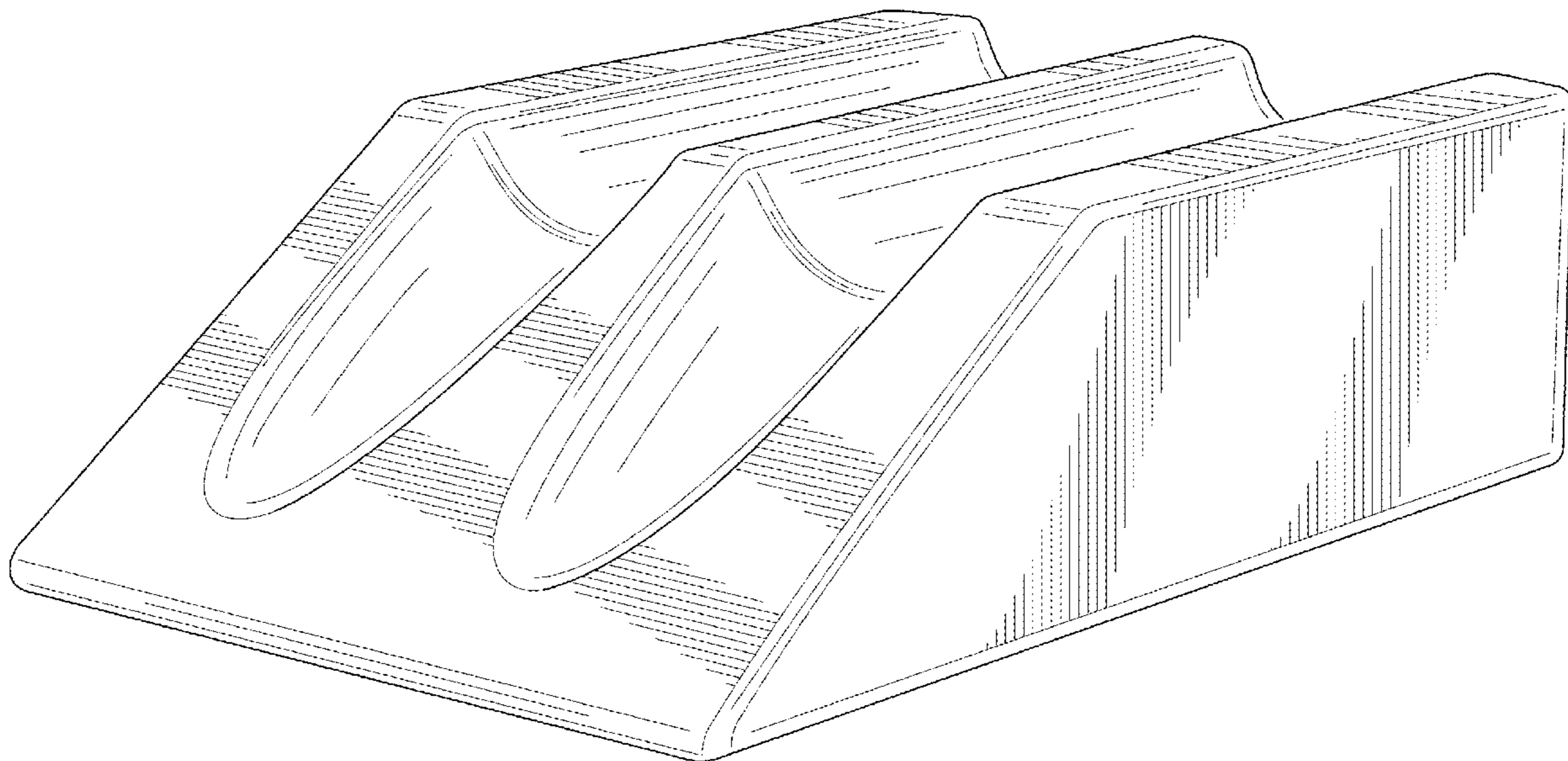
FIG. 6 is a front elevational view thereof.

FIG. 7 is a rear elevational view thereof; and,

FIG. 8 is perspective view showing the double leg elevator pillow and a user's legs supported thereon.

In the drawings, the broken lines showing a user's legs in FIG. 8 form no part of the claimed design.

**1 Claim, 6 Drawing Sheets**



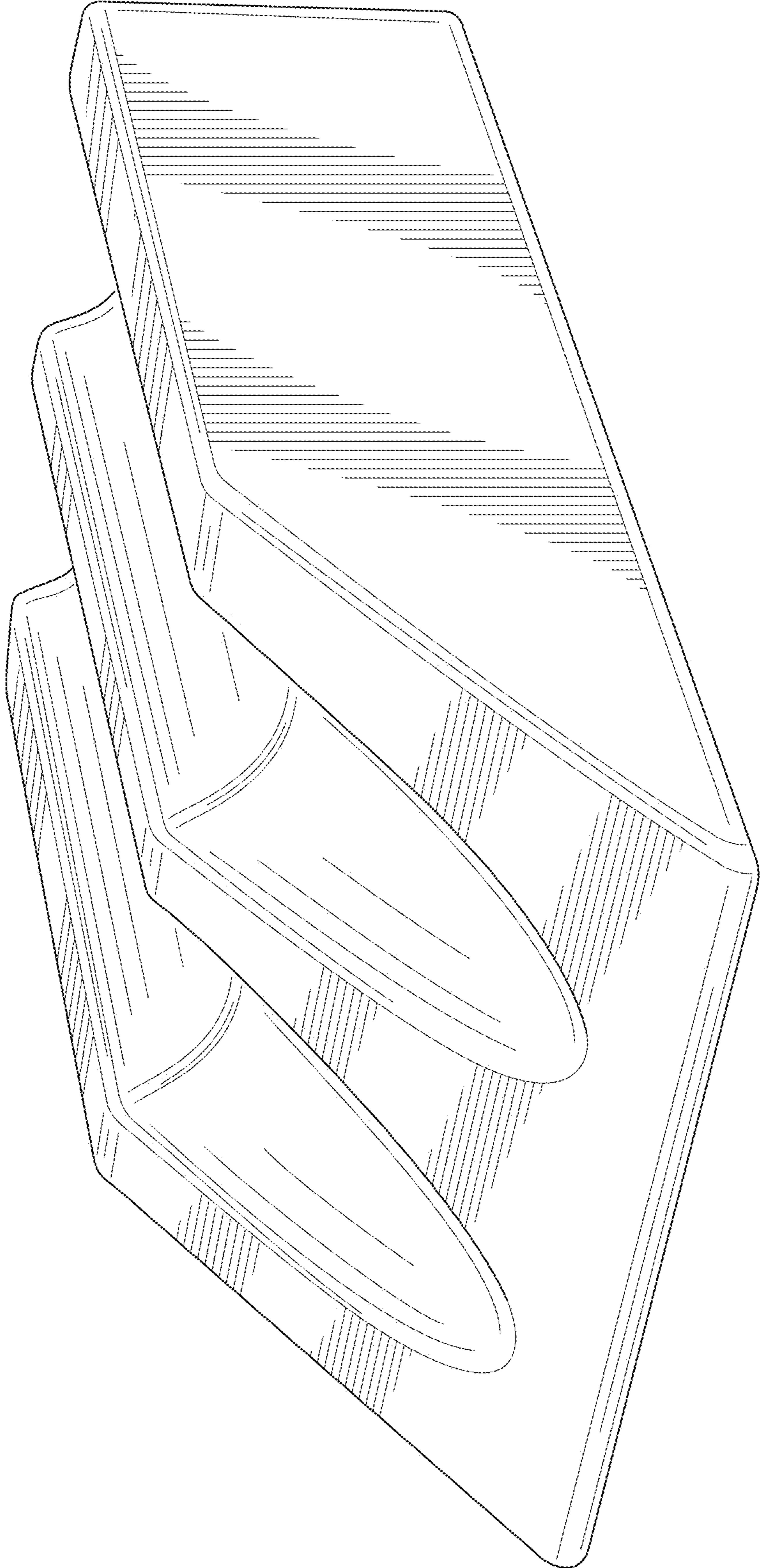


FIG. 1

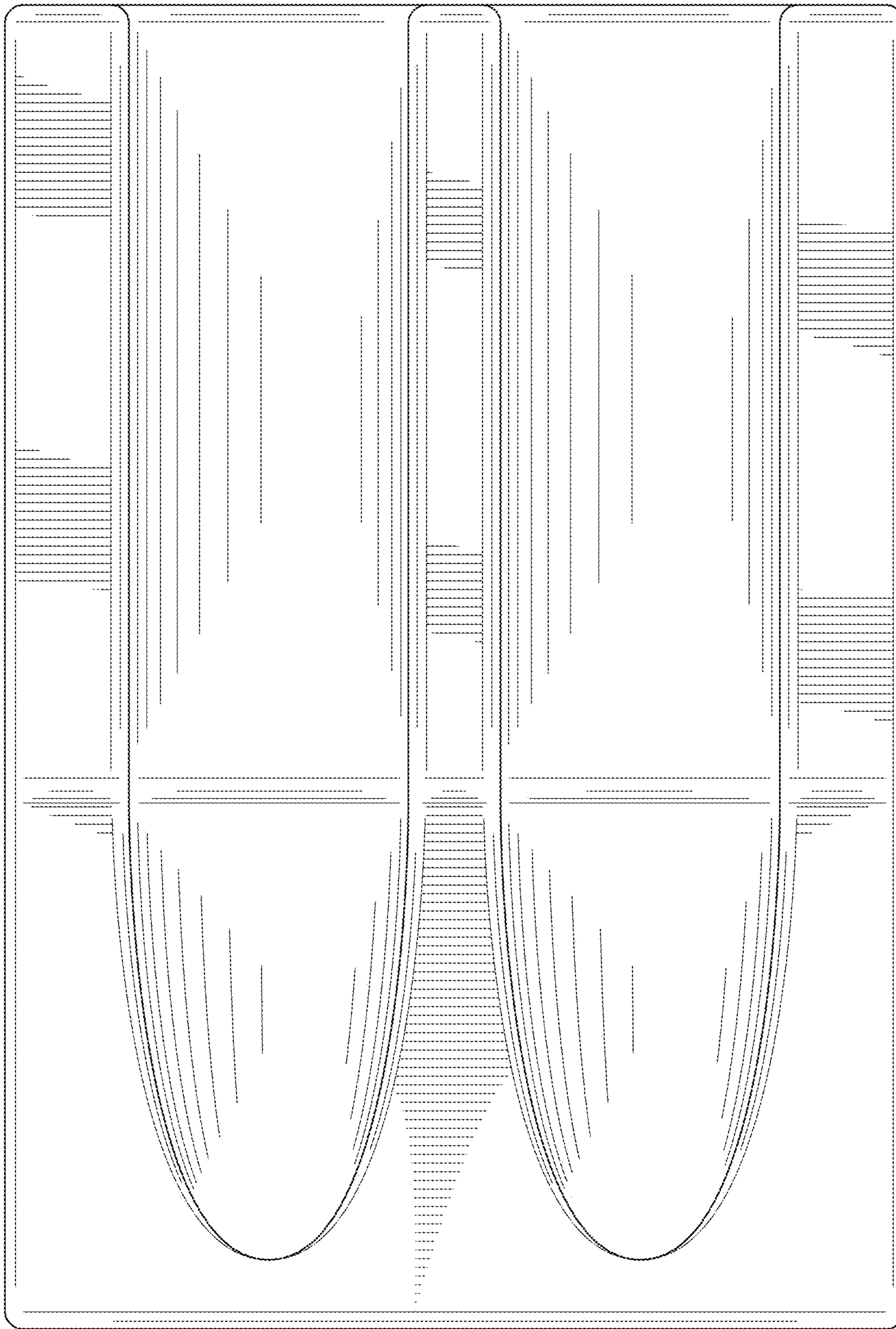


FIG. 2

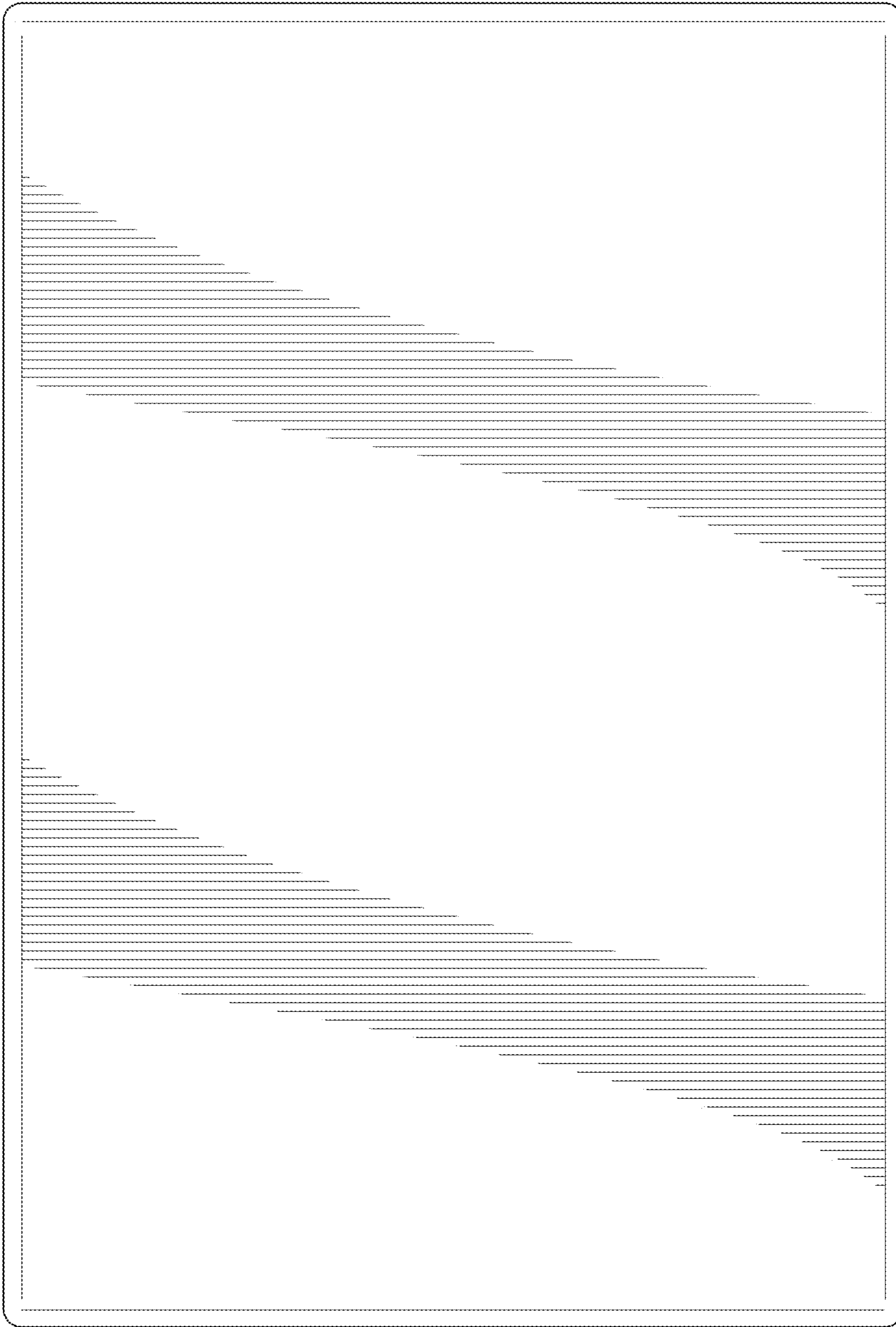


FIG. 3

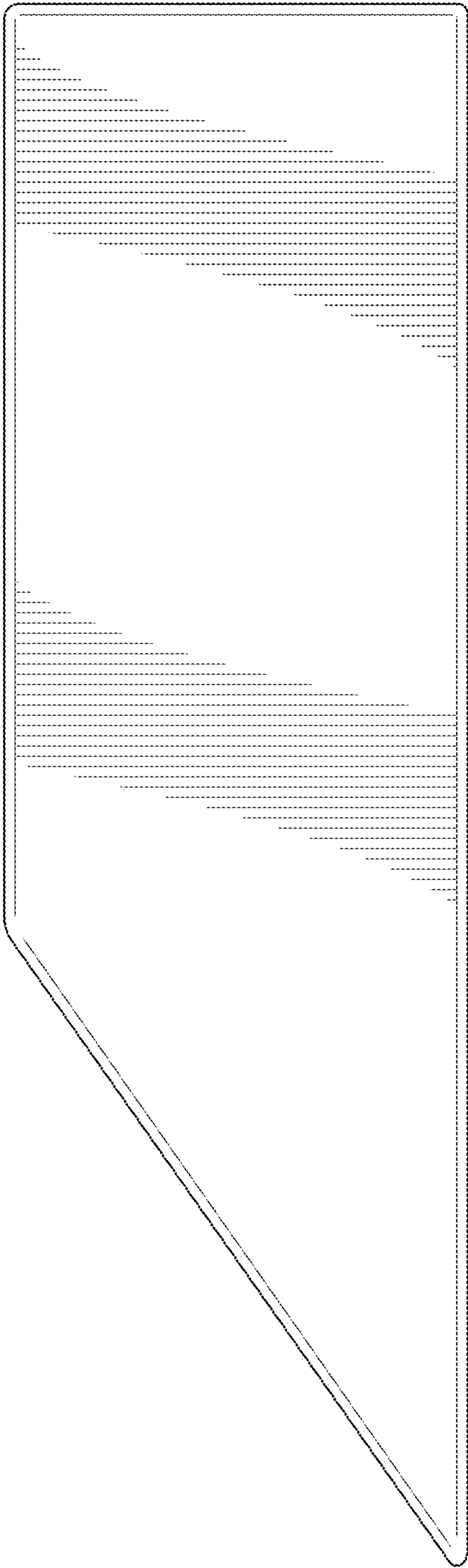


FIG. 4

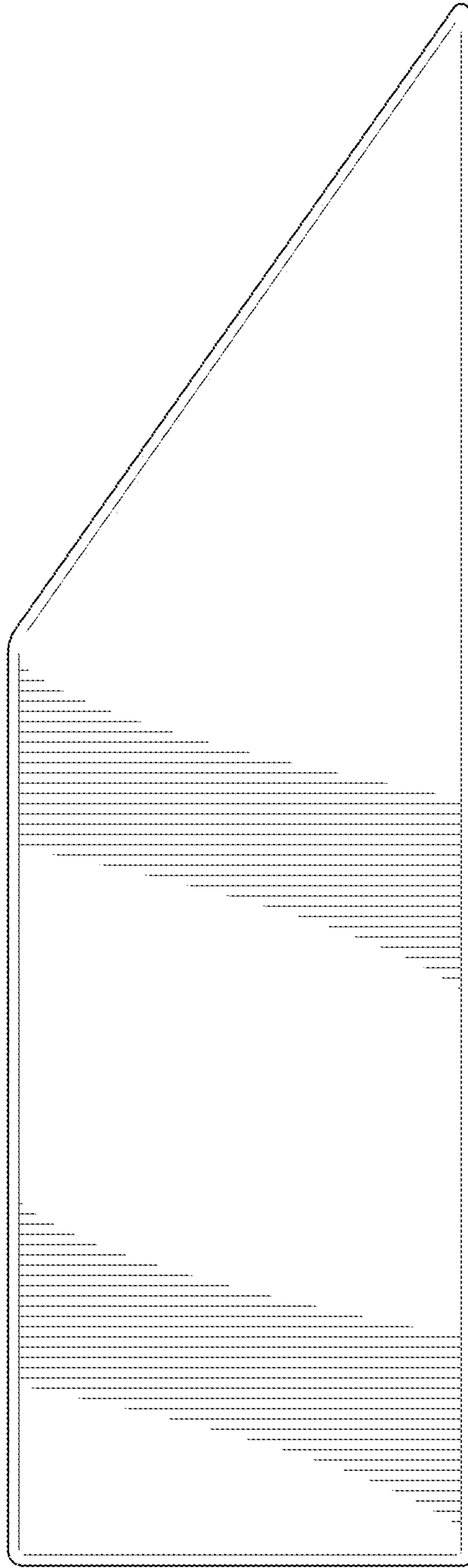


FIG. 5

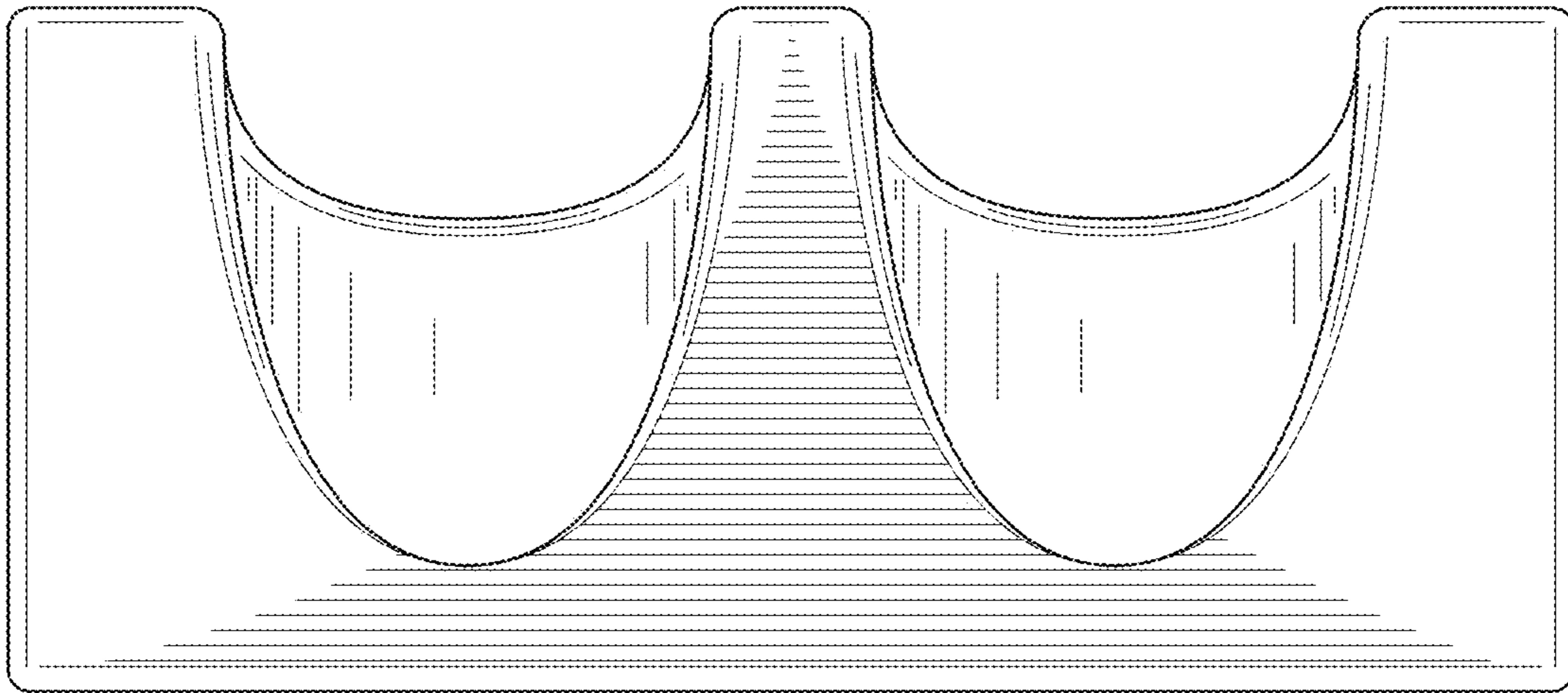


FIG. 6

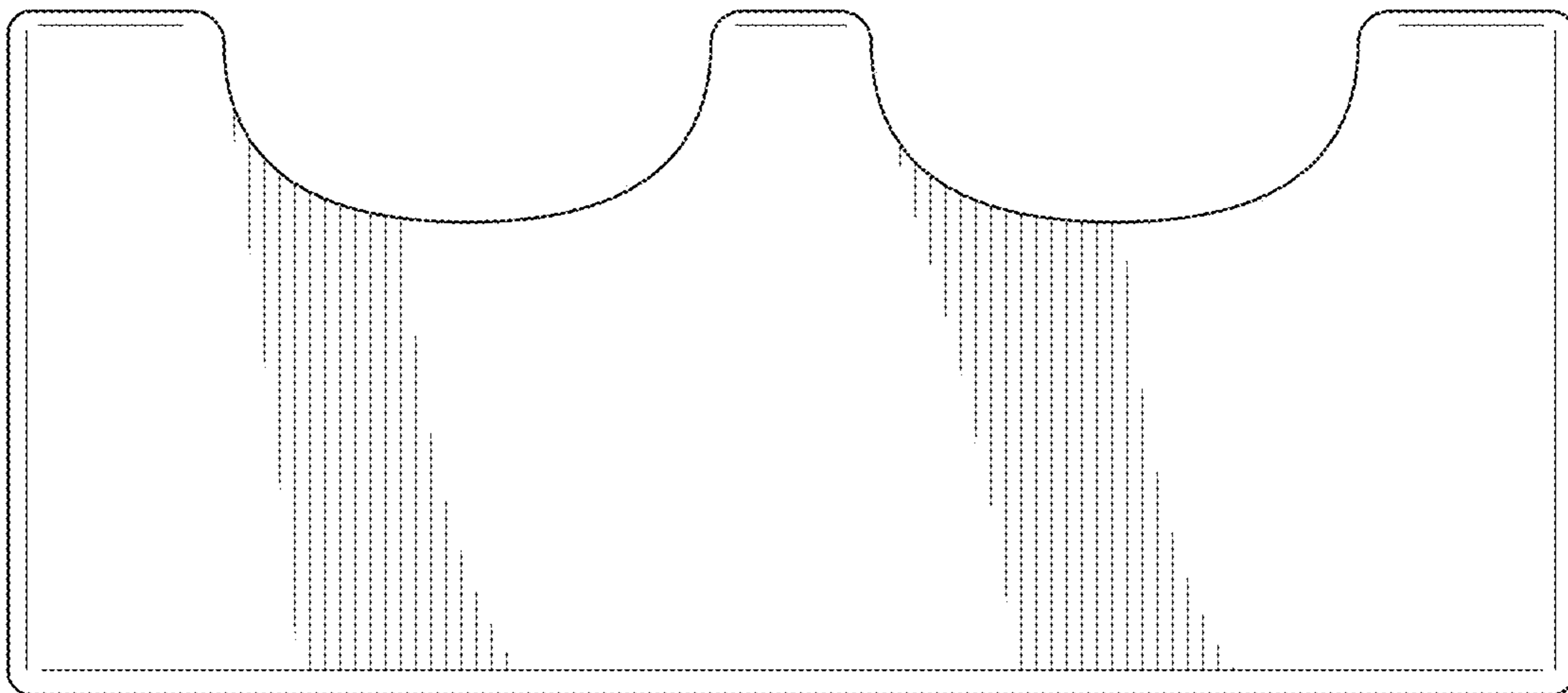


FIG. 7

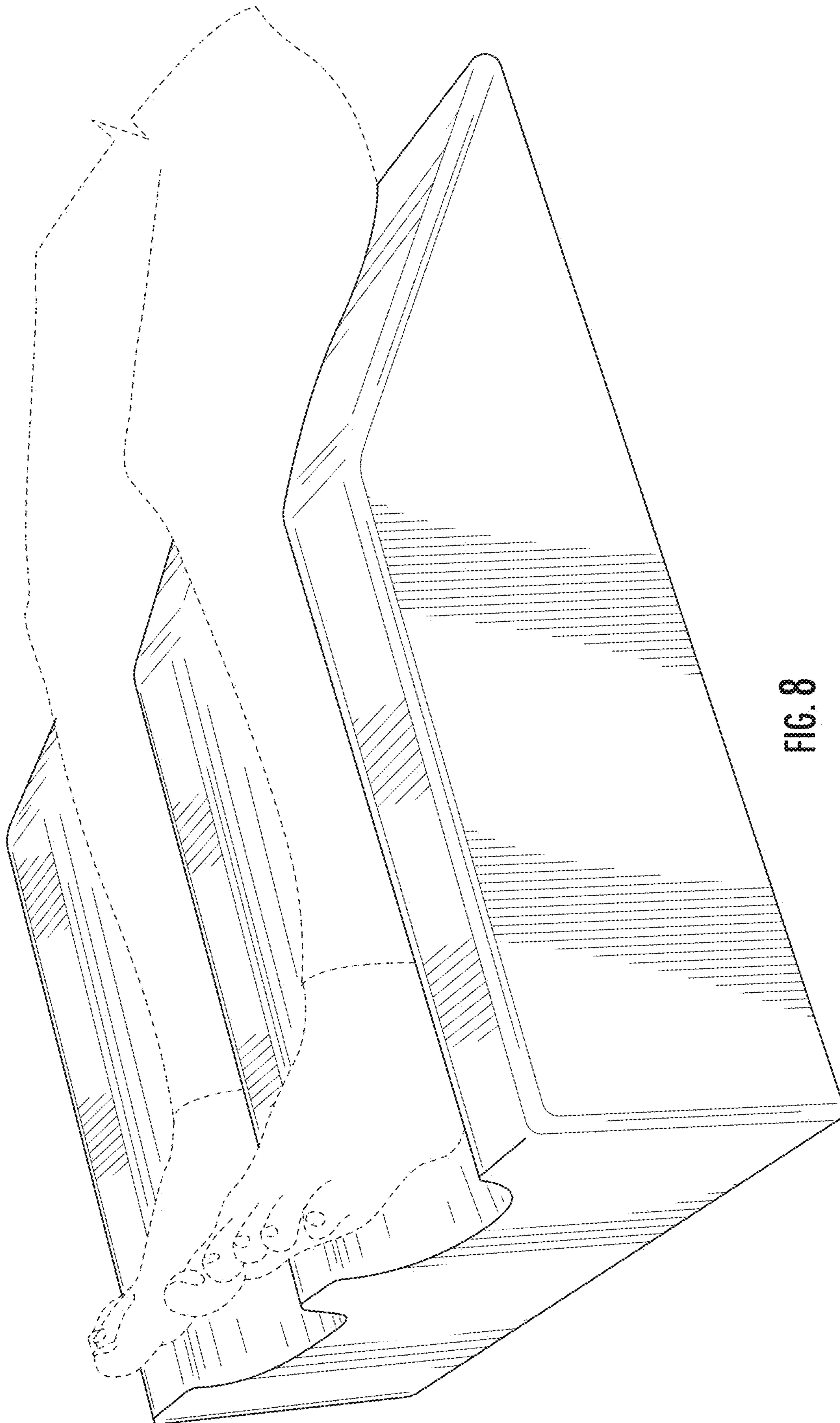


FIG. 8