



US00D898429S

(12) **United States Design Patent**
Huang

(10) **Patent No.:** **US D898,429 S**

(45) **Date of Patent:** **** Oct. 13, 2020**

- (54) **PILLOW**
- (71) Applicant: **SHENZHEN BOANJU HOUSEHOLD PRODUCTS CO., LTD.**, Shenzhen (CN)
- (72) Inventor: **Jiasheng Huang**, Shenzhen (CN)
- (73) Assignee: **Shenzhen Boanju Household Products Co., Ltd.**, Shenzhen (CN)
- (**) Term: **15 Years**
- (21) Appl. No.: **29/672,371**
- (22) Filed: **Dec. 5, 2018**
- (51) **LOC (12) Cl.** **06-09**
- (52) **U.S. Cl.**
USPC **D6/601**
- (58) **Field of Classification Search**
USPC D6/582-583, 587-592, 595-609, D6/617-622; D21/803-809; D24/183
CPC A47G 9/00; A47G 2009/001; A47G 2009/002; A47G 2009/003; A47G 9/10; A47G 9/1009; A47G 2009/1018; A47G 9/1045; A47G 9/1081; A47G 9/109
See application file for complete search history.

D634,960 S *	3/2011	Anson	D6/601
D716,072 S *	10/2014	Rose	D6/601
D829,470 S *	10/2018	Huang	D6/601
D838,513 S *	1/2019	Davis	D6/601
D839,026 S *	1/2019	Huang	D6/601
D848,180 S *	5/2019	Huang	D6/601
D851,424 S *	6/2019	Santjer	D6/601
D867,021 S *	11/2019	Yang	D6/601
D874,186 S *	2/2020	Mi	D6/601
D876,127 S *	2/2020	Park	D6/601
2012/0180220 A1 *	7/2012	Popitz	A47G 9/1081 5/638
2014/0026323 A1 *	1/2014	Bowers	A47G 9/10 5/636
2018/0042409 A1 *	2/2018	Johnson	A47G 9/1054

* cited by examiner

Primary Examiner — Jennifer L Rempfer

(74) *Attorney, Agent, or Firm* — Rosenberg, Klein & Lee

(57) **CLAIM**

The ornamental design for a pillow, as shown and described.

DESCRIPTION

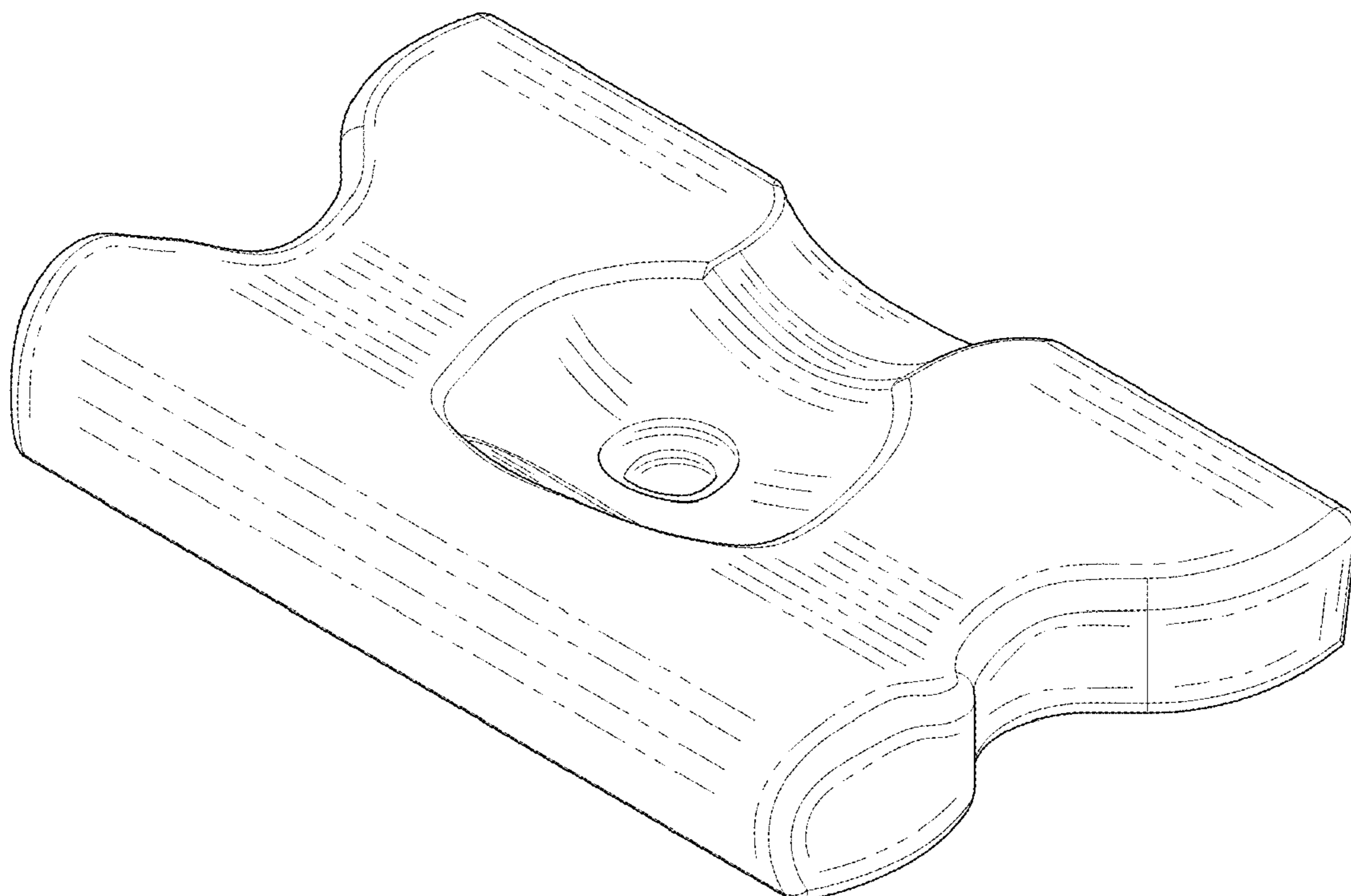
FIG. 1 is a perspective view of the pillow showing my new design;
 FIG. 2 is a front elevational view thereof;
 FIG. 3 is a rear front elevational view thereof;
 FIG. 4 is a left side elevational view thereof;
 FIG. 5 is a right side elevational view thereof;
 FIG. 6 is a top plan view thereof;
 FIG. 7 is a bottom plan view thereof, and,
 FIG. 8 is a further perspective view of the pillow showing my new design.

1 Claim, 8 Drawing Sheets

(56) **References Cited**

U.S. PATENT DOCUMENTS

D381,233 S *	7/1997	Torbik	D6/596
D474,364 S *	5/2003	Arcieri	D6/601
6,622,325 B1 *	9/2003	Garza	A47G 9/10 5/636



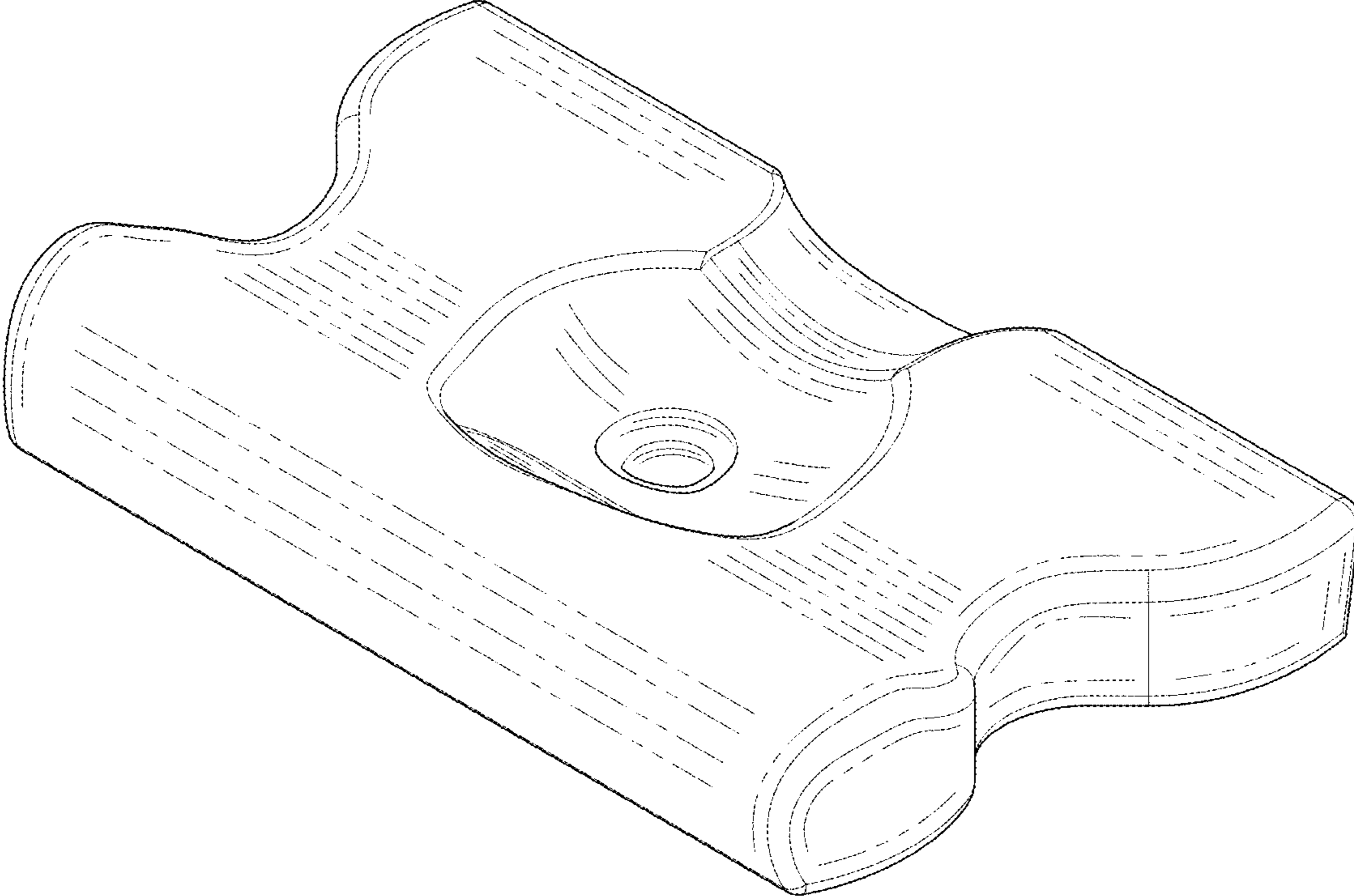


FIG.1

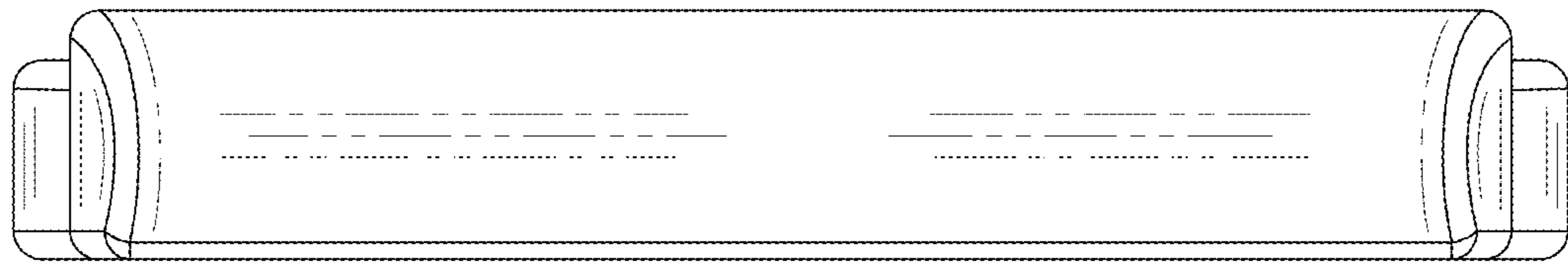


FIG.2

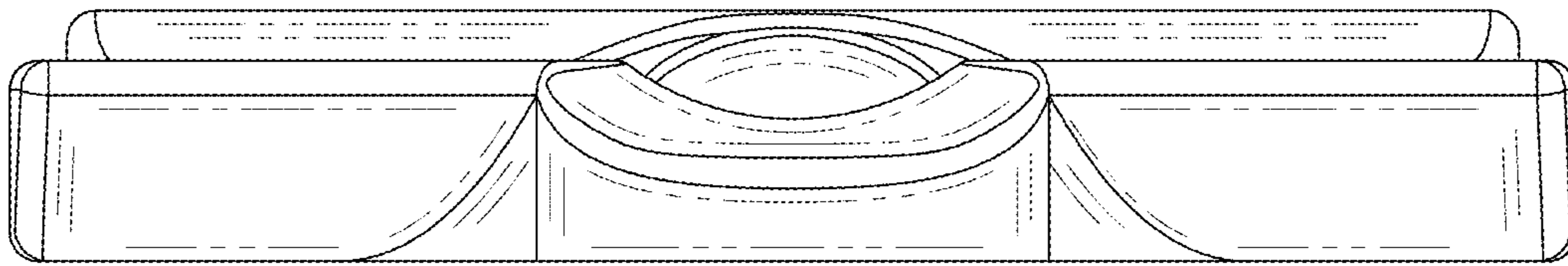


FIG.3

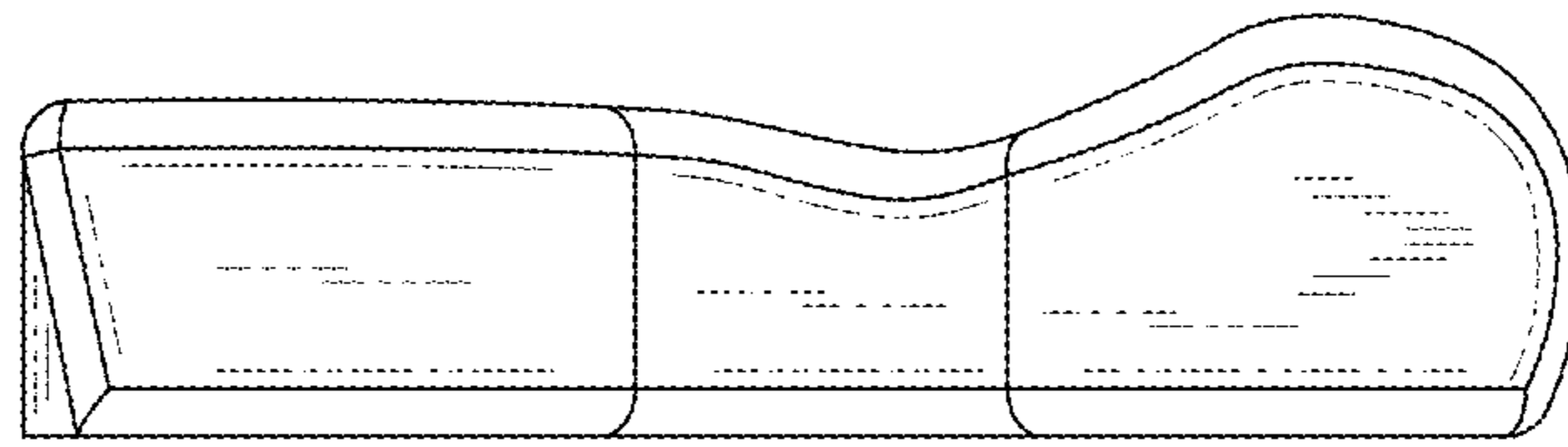


FIG.4

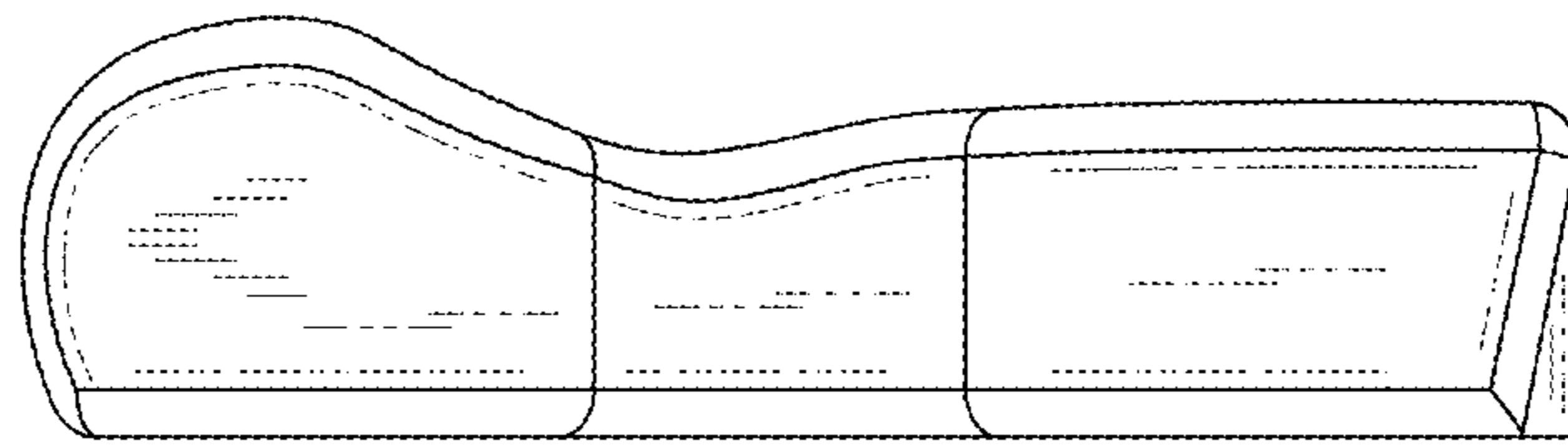


FIG.5

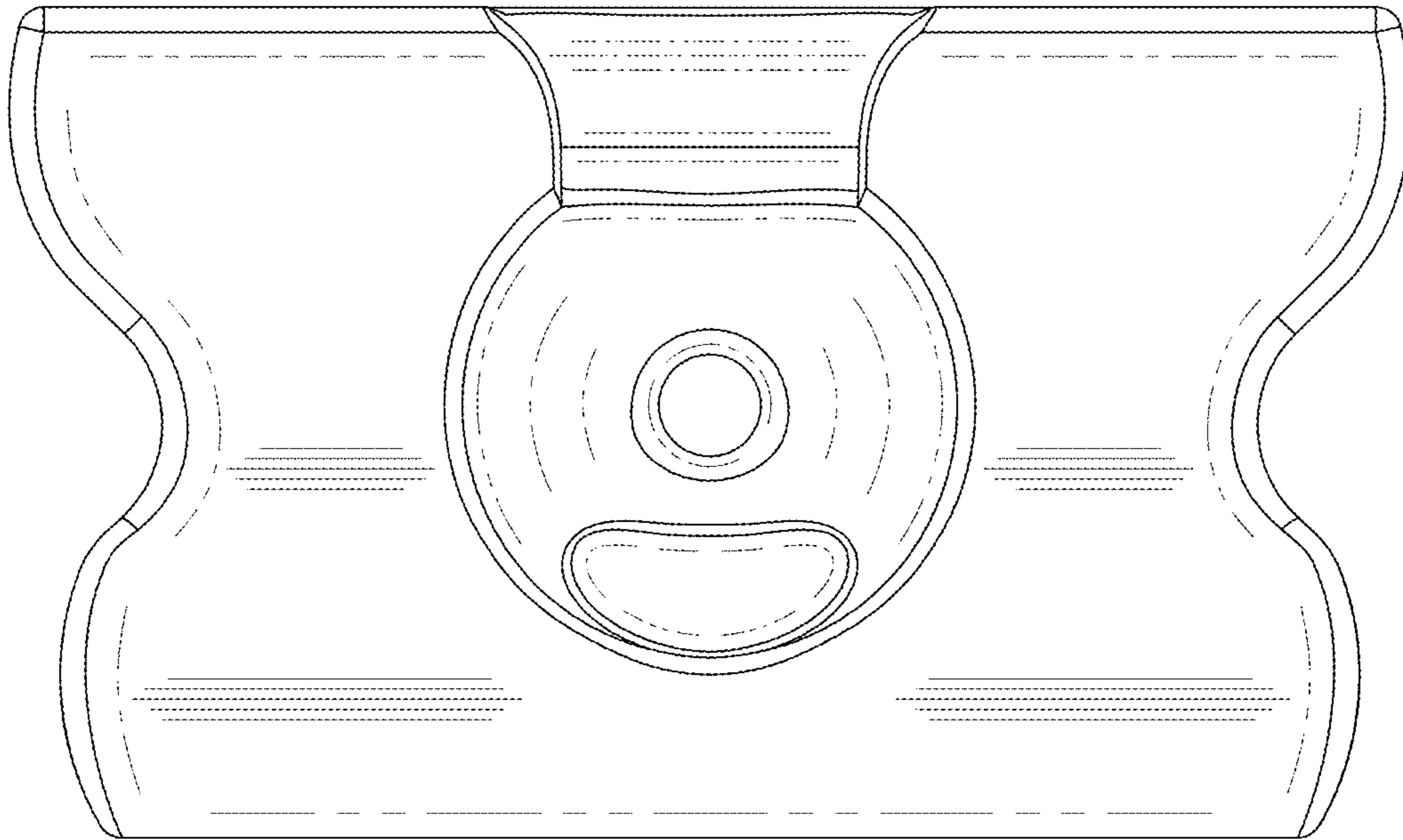


FIG.6

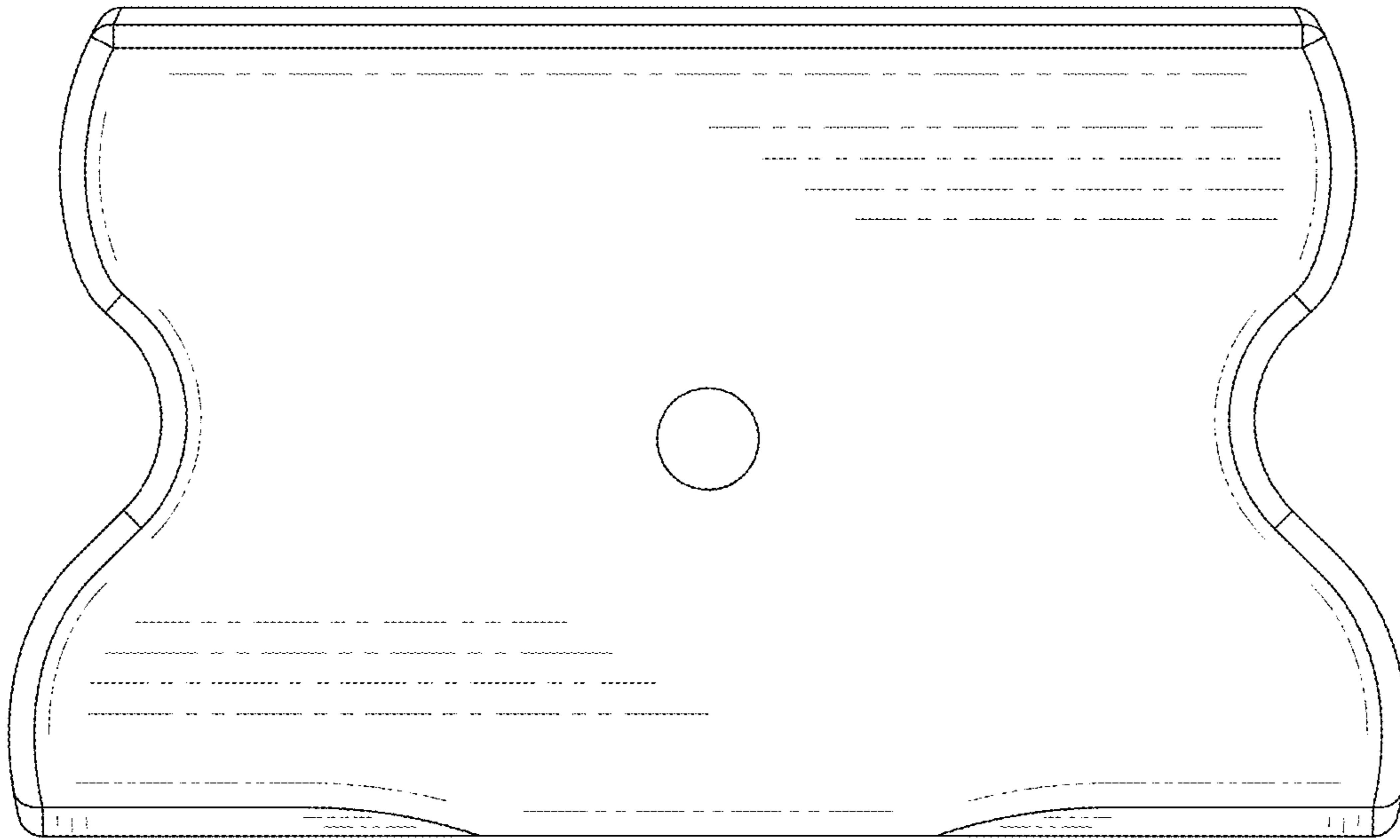


FIG.7

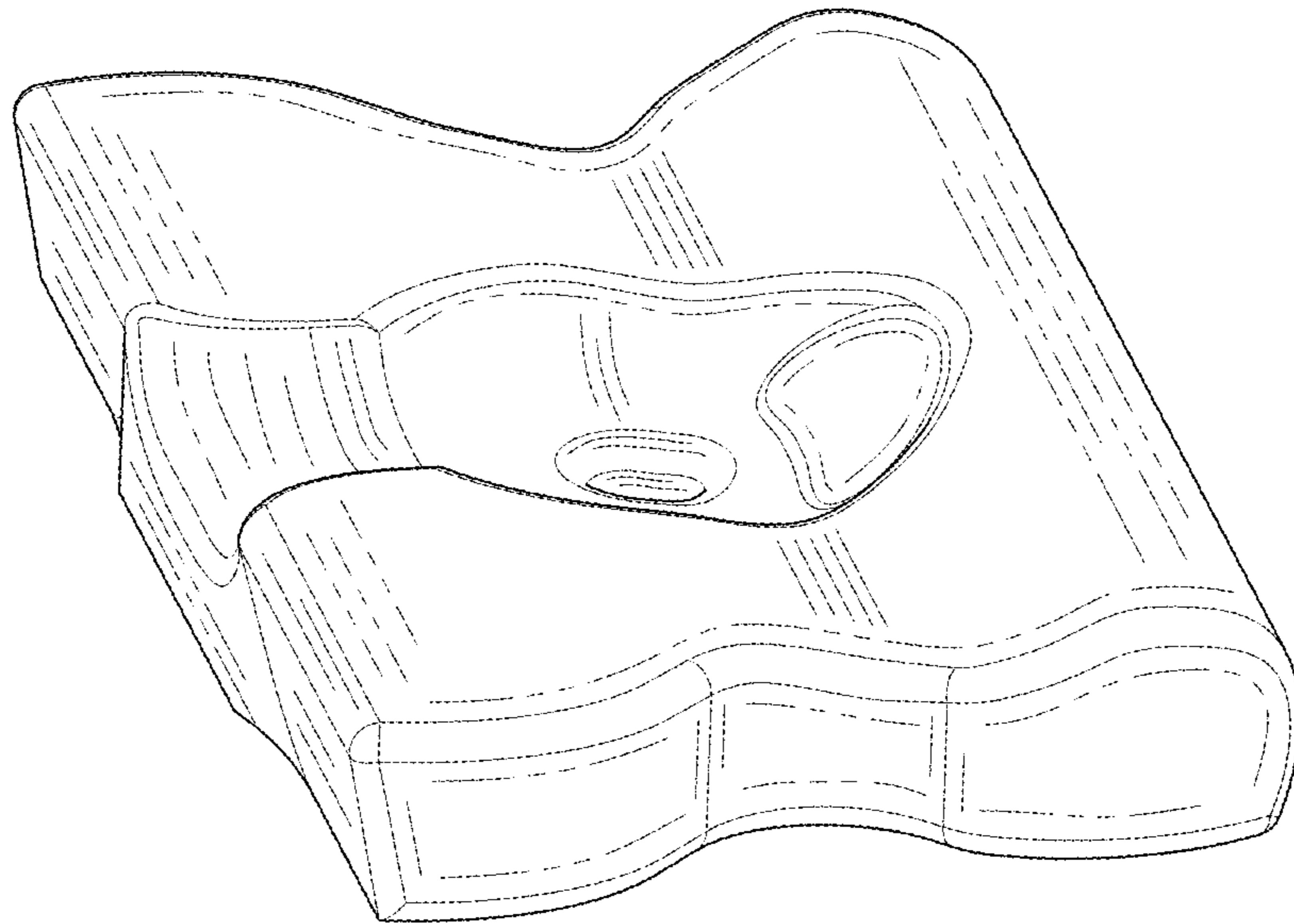


FIG.8