



US00D898424S

(12) **United States Design Patent** (10) **Patent No.:** **US D898,424 S**
Jackson et al. (45) **Date of Patent:** **** Oct. 13, 2020**

(54) **FORWARD-SUPPORTING TRAVEL CUSHION**

FOREIGN PATENT DOCUMENTS

(71) Applicants: **Clay Martin Jackson**, Peralta, NM (US); **Thuy Thi Hong Nguyen**, Peralta, NM (US)

CN 203860837 10/2014
GB 2246292 1/1992

(Continued)

(72) Inventors: **Clay Martin Jackson**, Peralta, NM (US); **Thuy Thi Hong Nguyen**, Peralta, NM (US)

OTHER PUBLICATIONS

(**) Term: **15 Years**

Bed Bath & Beyond, "Samsonite Magic 2-in-1 Travel Pillow with Pocket in Navy", downloaded from <https://www.bedbathandbeyond.com/store/product/samsonite-reg-magic-2-in-1-travel-pillow-with-pocket-in-navy/1045753275?Keyword=samsonite%20magic%20%20in%20%20pillow> on Apr. 18, 2018, 2 pages (pp. 1-2 in pdf).

(21) Appl. No.: **29/650,639**

(22) Filed: **Jun. 8, 2018**

Primary Examiner — Sanjeev Paul

(51) **LOC (12) Cl.** **06-09**

(74) *Attorney, Agent, or Firm* — Andrew M. Harris; Mitch Harris, Atty at Law

(52) **U.S. Cl.**

USPC **D6/601**

(58) **Field of Classification Search**

(57) **CLAIM**

USPC D6/333, 349, 355, 375, 388, 512, 563, D6/564, 595, 596, 601, 603, 605, 608, D6/604, 611; D24/183–185, 234; D21/803, 804, 805, 809; 5/401, 420, 5/600, 630, 631, 632, 633, 635, 636, 638, 5/639, 646, 652, 652.1, 655, 703, 730, 5/411, 705

The ornamental design for a forward-supporting travel cushion, as shown and described.

CPC .. A47G 9/0238; A47G 9/0246; A47G 9/0261; A47G 2009/0269; A47G 9/10; A47G 9/1018; A47G 9/1027; A47G 9/1063; A47G 9/1072; A47G 9/1081; A47G 9/1054

DESCRIPTION

See application file for complete search history.

FIG. 1 is a lower right front isometric view of the forward-supporting travel cushion.
FIG. 2 is a lower left rear isometric view of the forward-supporting travel cushion.
FIG. 3 is a front view of the forward-supporting travel cushion.
FIG. 4 is a rear view of the forward-supporting travel cushion.
FIG. 5 is a bottom view of the forward-supporting travel cushion.
FIG. 6 is a top view of the forward-supporting travel cushion.
FIG. 7 is a left side view of the forward-supporting travel cushion; and,
FIG. 8 is a right side view of the forward-supporting travel cushion.

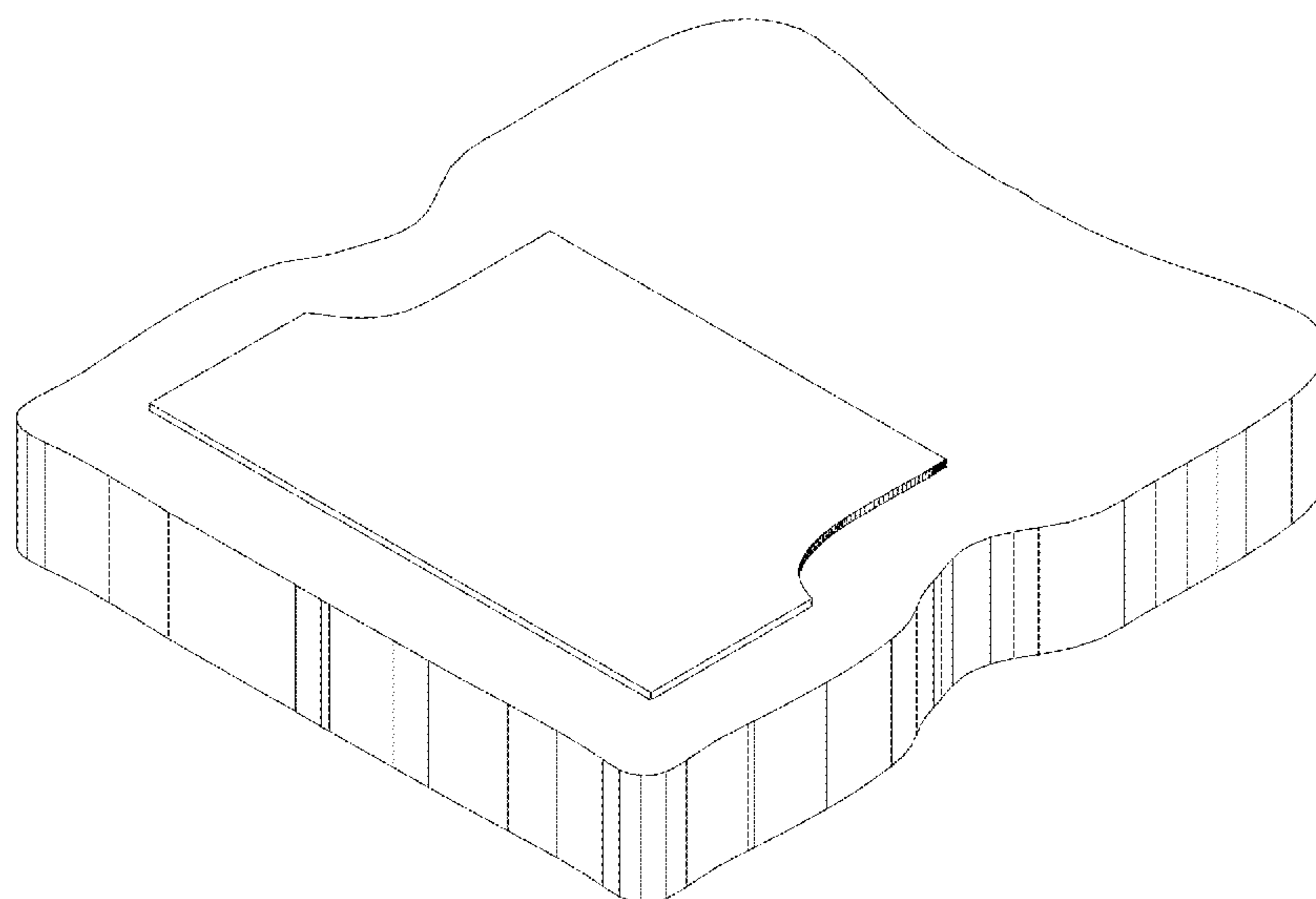
(56) **References Cited**

U.S. PATENT DOCUMENTS

3,604,026 A 9/1971 Schelps
4,277,859 A 7/1981 Seaman
4,712,259 A 12/1987 Chiasson
5,611,601 A * 3/1997 Cowgur A47C 7/383
297/393

(Continued)

1 Claim, 5 Drawing Sheets



(56)

References Cited

U.S. PATENT DOCUMENTS

5,645,319 A * 7/1997 Parks, Jr. A47C 7/383
297/146
5,802,644 A 9/1998 Scheurer
6,364,416 B1 4/2002 Rheault et al.
6,463,608 B1 10/2002 Moe
6,763,537 B1 7/2004 Crear
6,973,691 B1 12/2005 Cordova et al.
7,114,206 B2 10/2006 Leach
7,114,776 B1 * 10/2006 Wiltberger A47C 7/029
297/284.5
7,788,751 B1 * 9/2010 Diemer A47C 16/00
297/391
D644,056 S * 8/2011 Shuler D6/601
D659,252 S * 5/2012 Batiste D24/190
8,333,308 B2 * 12/2012 Maginness A45F 3/04
224/153
D715,580 S * 10/2014 Ganjavian A47C 7/383
D6/601
D718,074 S * 11/2014 Savolainen D6/601
D722,449 S * 2/2015 Krishtul
8,984,688 B1 * 3/2015 Ibrahim A47G 9/10
5/632

9,259,091 B2 2/2016 Freund
9,295,337 B1 3/2016 Bavli
D785,184 S * 4/2017 Higgins D24/184
D793,770 S * 8/2017 Krishtul D6/601
9,801,480 B1 10/2017 McCain
9,930,977 B1 * 4/2018 Jennings A47G 9/1027
D828,702 S * 9/2018 Chen D6/601
10,178,914 B2 * 1/2019 Trucco A47C 16/00
D841,363 S * 2/2019 Sackey D6/601
D848,765 S * 5/2019 Chen D6/601
D859,034 S * 9/2019 Li D6/604
2004/0064893 A1 * 4/2004 Sharp A47C 7/383
5/655.3
2008/0256714 A1 10/2008 Cubbage et al.
2011/0249914 A1 10/2011 Boruff
2012/0210516 A1 8/2012 Popovic
2013/0025059 A1 1/2013 Ratte
2013/0276236 A1 * 10/2013 Rasmussen A47G 9/1027
5/640

FOREIGN PATENT DOCUMENTS

GB 2536662 9/2016
GB 2538597 11/2016

* cited by examiner

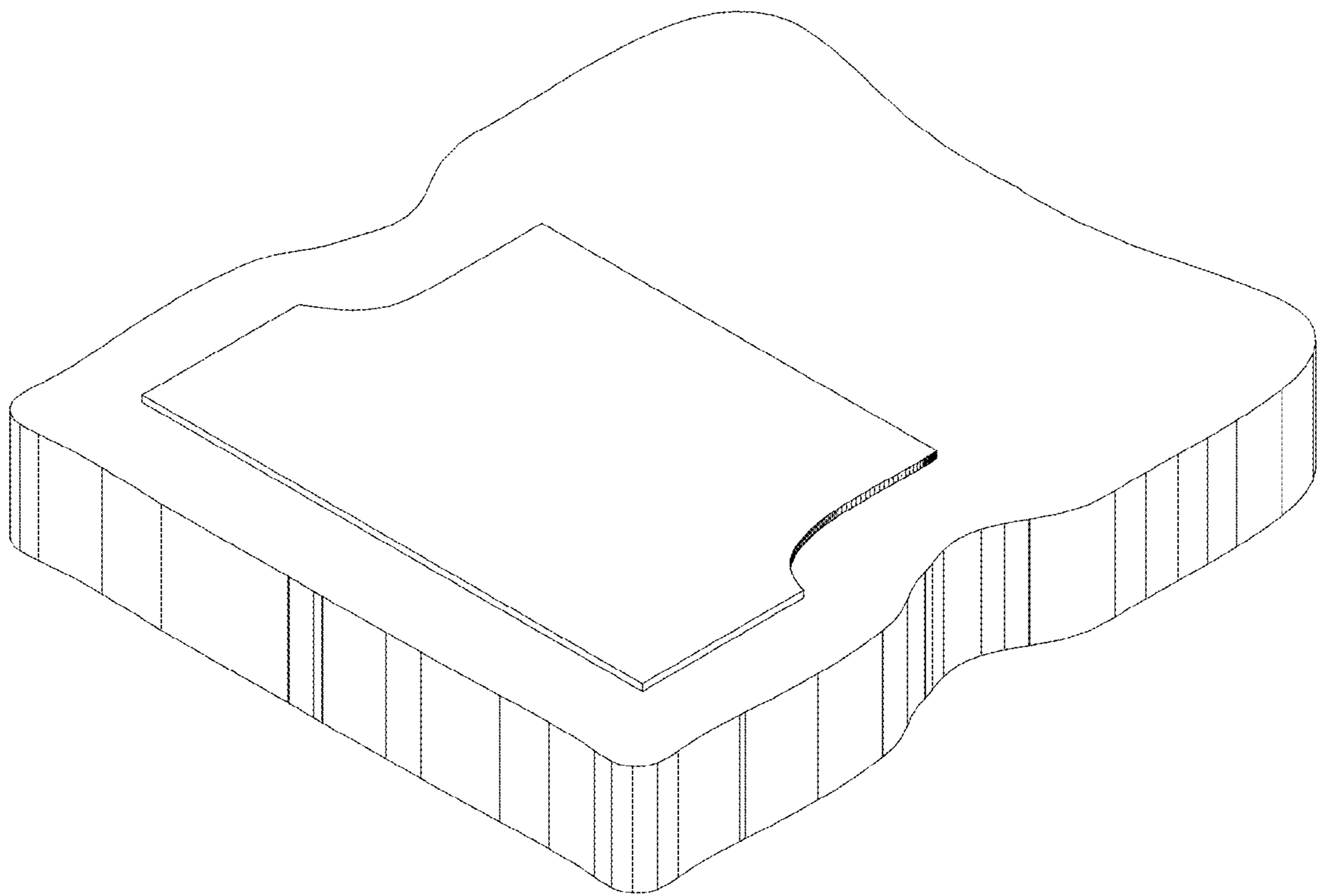


Fig. 1

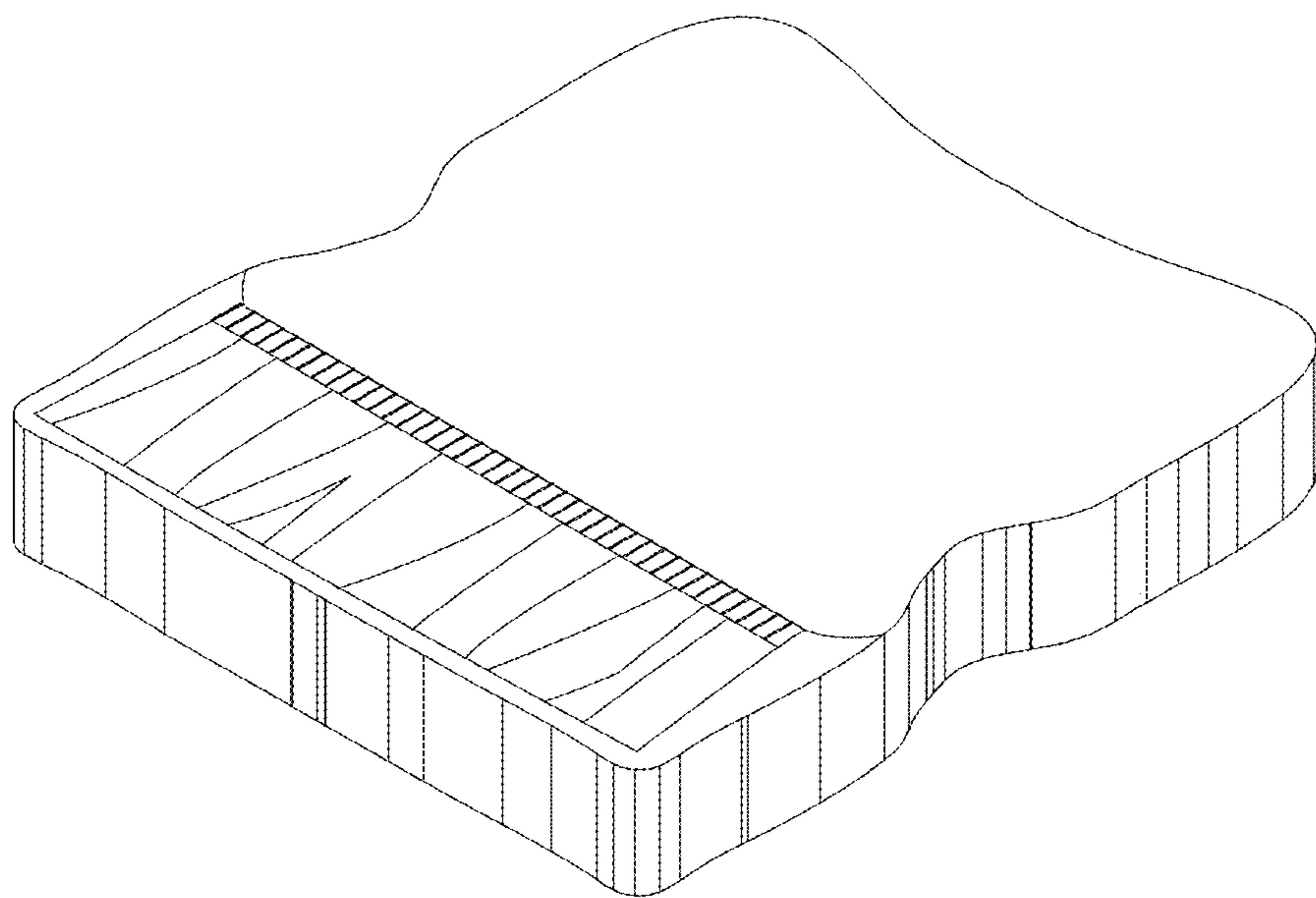


Fig. 2

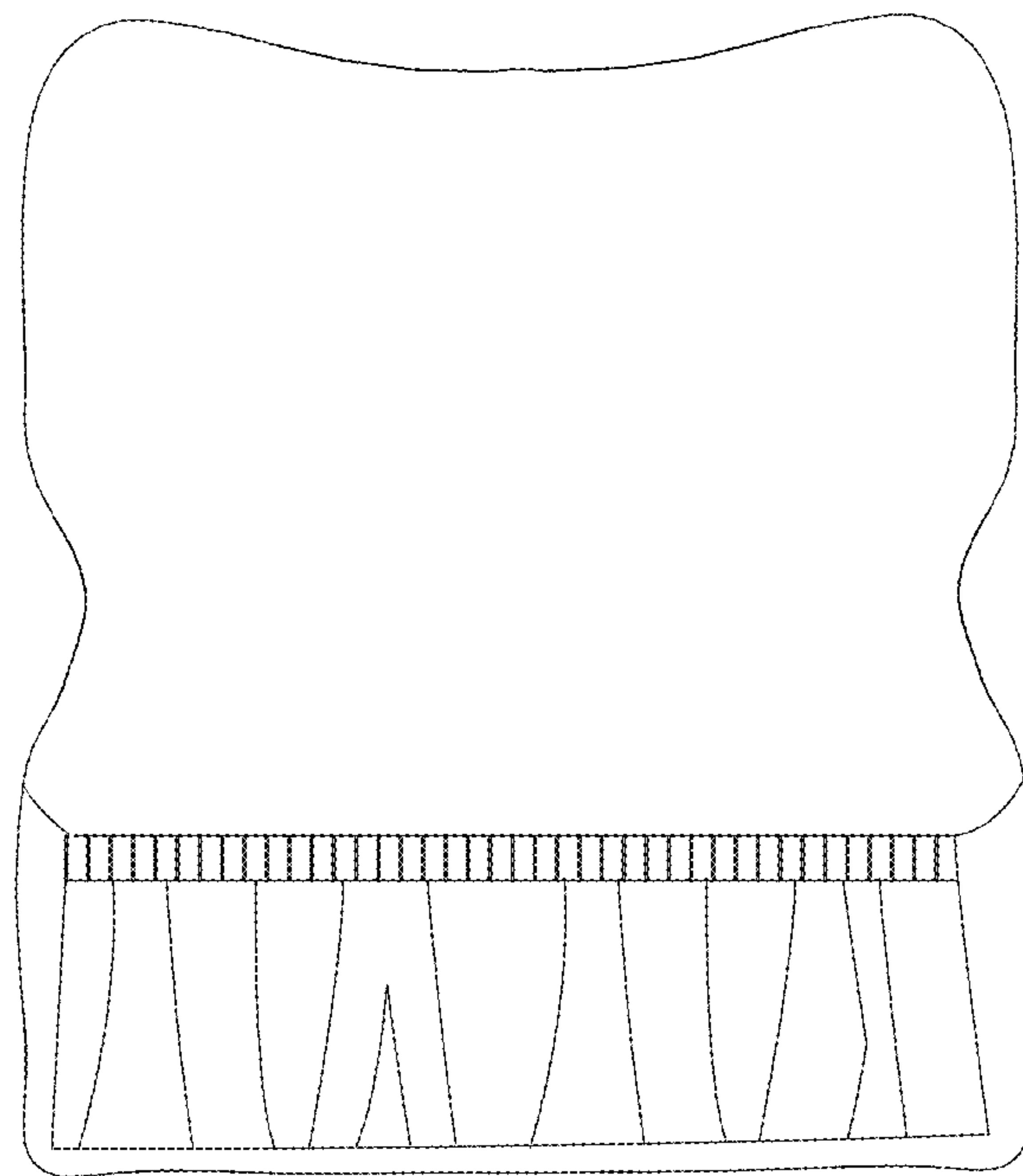


Fig .3

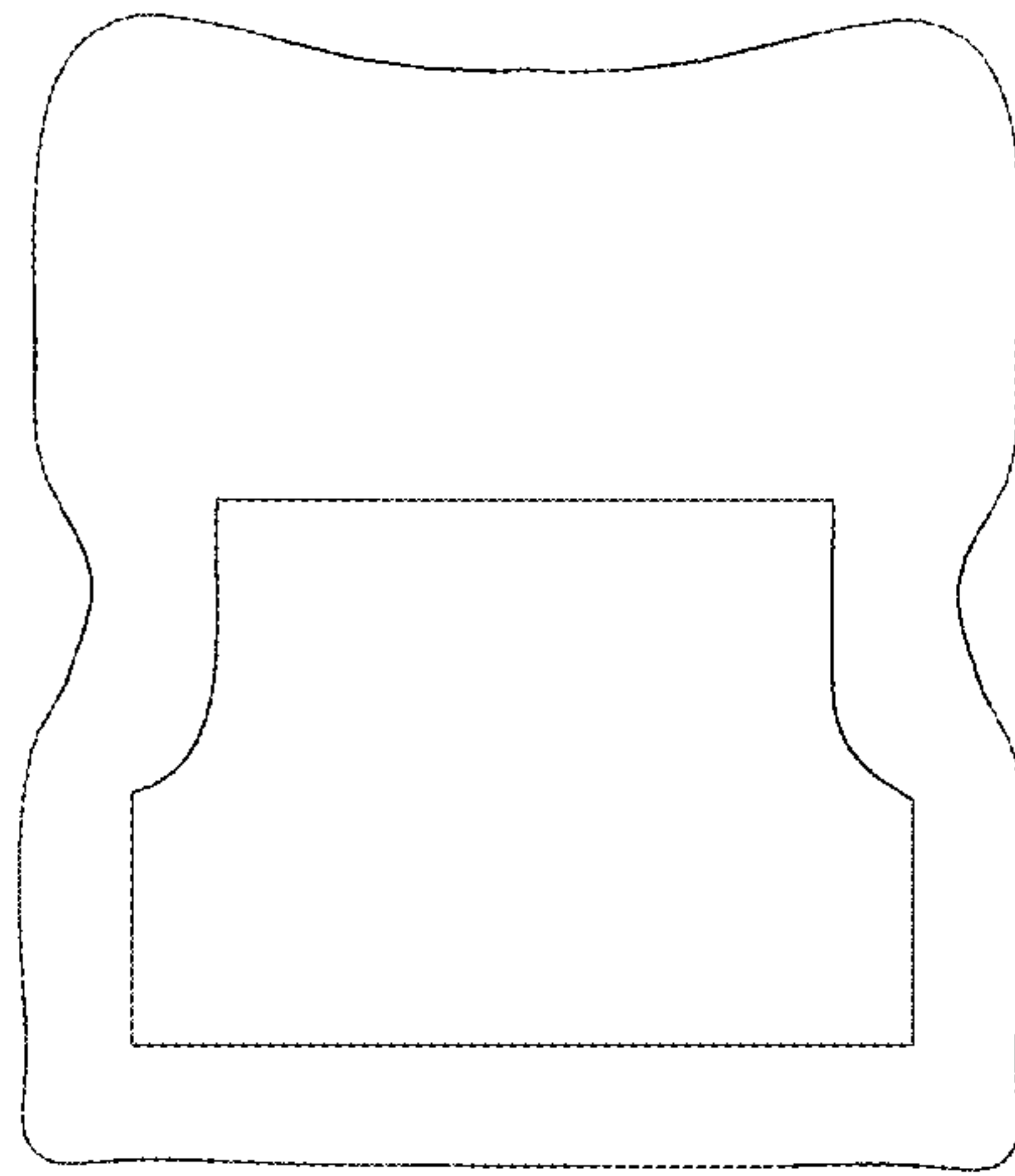


Fig. 4

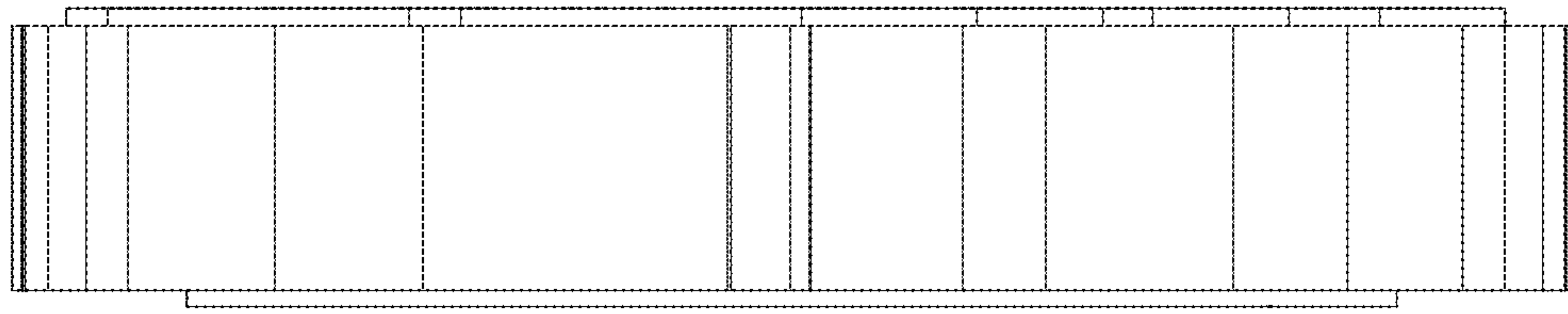


Fig. 5

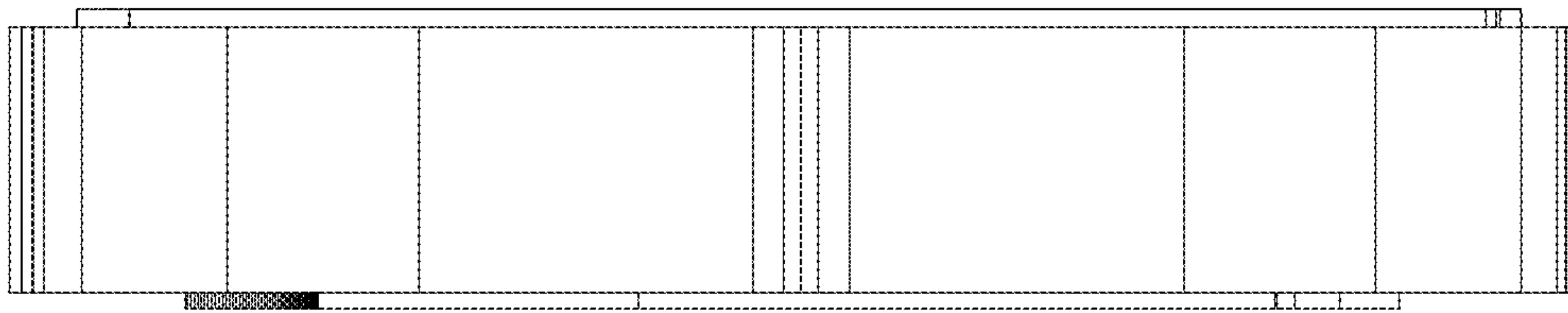


Fig. 6

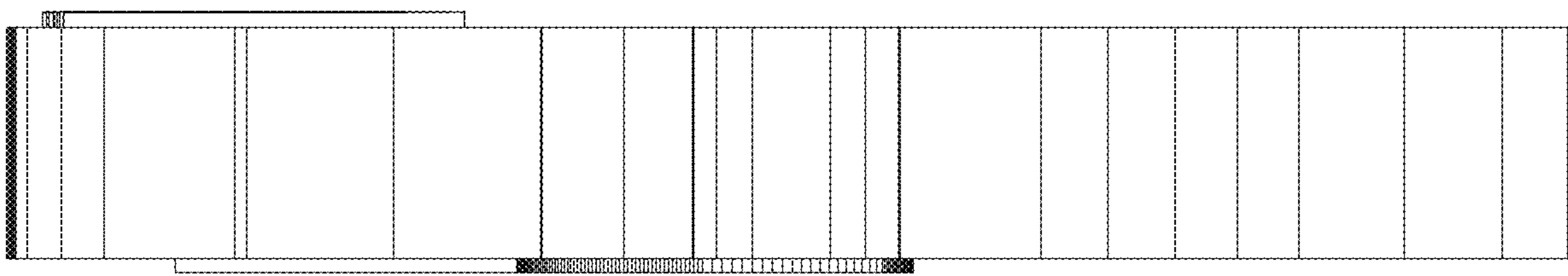


Fig. 7

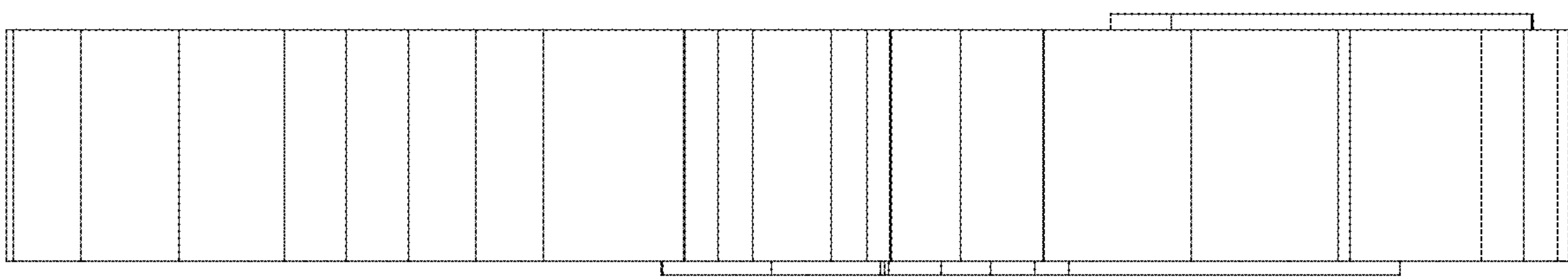


Fig. 8