



US00D898423S

(12) **United States Design Patent**
Liu

(10) **Patent No.:** **US D898,423 S**

(45) **Date of Patent:** **** Oct. 13, 2020**

(54) **ADJUSTABLE PILLOW**

(71) Applicant: **Shi Hong Liu**, Waterloo (CA)

(72) Inventor: **Shi Hong Liu**, Waterloo (CA)

(**) Term: **15 Years**

(21) Appl. No.: **29/650,224**

(22) Filed: **Jun. 5, 2018**

(51) **LOC (12) Cl.** **06-09**

(52) **U.S. Cl.**

USPC **D6/601**

(58) **Field of Classification Search**

USPC D6/333, 349, 355, 375, 388, 512, 563,
D6/564, 595, 596, 601, 603, 605, 608,
D6/604, 611; D24/183-185, 234;
D21/803, 804, 805, 809; 5/401, 420,
5/600, 630, 631, 632, 633, 635, 636, 638,
5/639, 646, 652, 652.1, 655, 703, 730,
5/411, 705

CPC .. A47G 9/0238; A47G 9/0246; A47G 9/0261;
A47G 2009/0269; A47G 9/10; A47G
9/1018; A47G 9/1027; A47G 9/1063;
A47G 9/1072; A47G 9/1081; A47G
9/1054

See application file for complete search history.

(56) **References Cited**

U.S. PATENT DOCUMENTS

- 516,270 A * 3/1894 Lorimer A47G 9/10
5/491
- 1,035,222 A * 8/1912 Minchin A47C 31/08
5/703
- 1,356,593 A * 10/1920 Bettiker 5/420
- 2,883,682 A * 4/1959 Kwake A47G 9/1045
5/419
- 2,922,466 A * 1/1960 Marston A47C 7/32
297/452.43
- 2,931,427 A * 4/1960 Goldstein B60N 2/686
297/452.43

- 3,279,849 A * 10/1966 Radke A47C 7/425
297/284.5
 - 3,336,610 A * 8/1967 Geddings A47D 15/003
5/420
 - 3,489,194 A * 1/1970 Hoover A45C 9/00
383/4
 - 4,190,918 A * 3/1980 Harvell A47C 4/52
190/1
 - D258,187 S * 2/1981 Robbins D6/596
 - D258,482 S * 3/1981 Strock 5/653
- (Continued)

OTHER PUBLICATIONS

Pancake Pillow, announced Feb. 21, 2015, [online], [site visited Mar. 24, 2020]. Available from Internet, <URL: <https://web.archive.org/web/20150221160531/https://pancakepillow.com/>> (Year: 2015).*

(Continued)

Primary Examiner — Sanjeev Paul

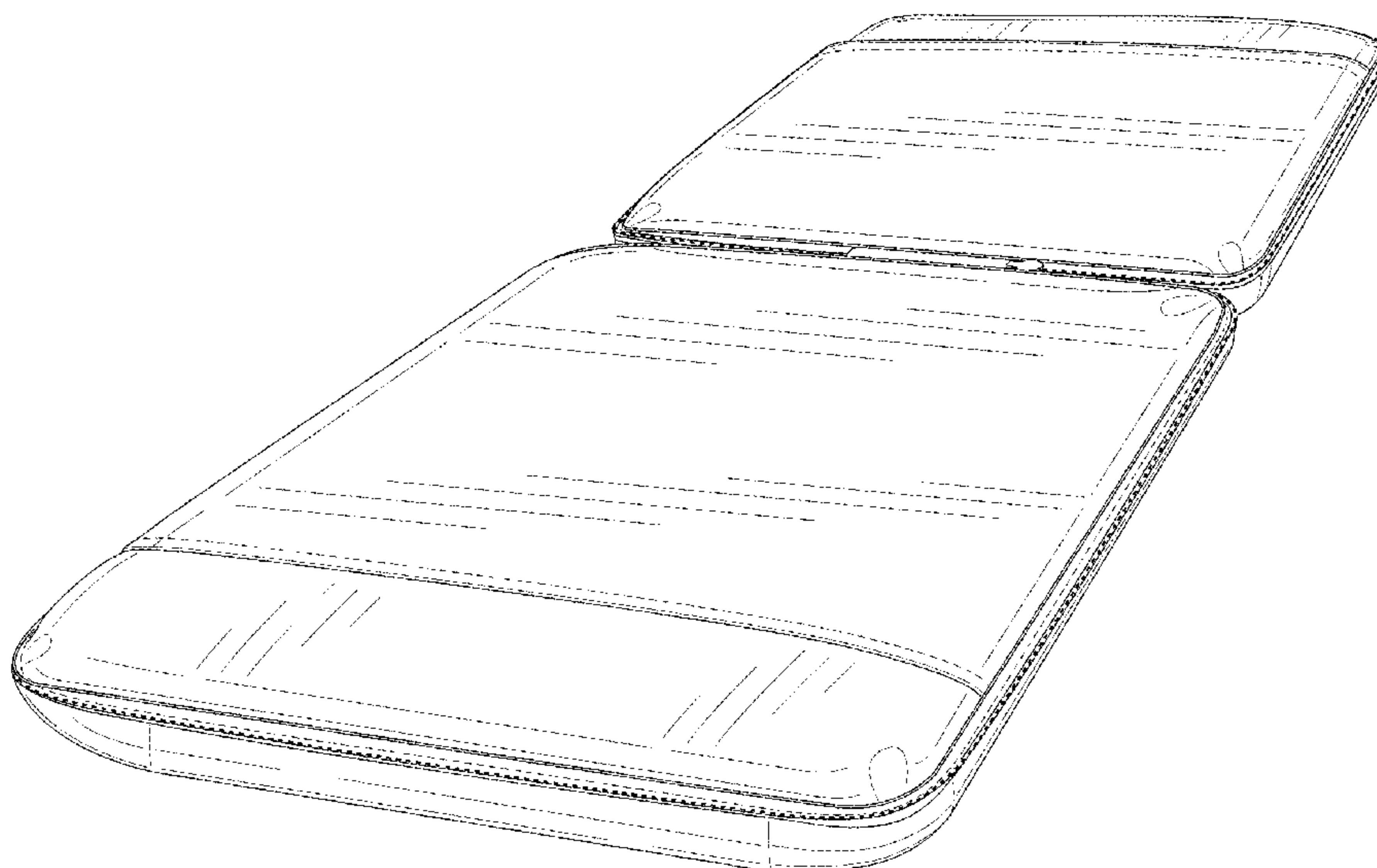
(57) **CLAIM**

The ornamental design for an adjustable pillow, as shown and described.

DESCRIPTION

FIG. 1 is a top perspective view of an thereof;
FIG. 2 is a top view thereof;
FIG. 3 is an end view, with the opposite end being a mirror image thereof;
FIG. 4 is a side view, with the opposite side being a mirror image thereof; and,
FIG. 5 is a bottom view thereof.
Only one end view of the adjustable pillow is provided in FIG. 3 because the other end view is the mirror image thereof.
Only one side view of the adjustable pillow is provided in FIG. 4 because the other side view is the mirror image thereof.

1 Claim, 3 Drawing Sheets



(56)

References Cited

U.S. PATENT DOCUMENTS

D264,401 S * 5/1982 Trotman D6/611
 D276,954 S * 1/1985 Kruger 5/653
 4,529,248 A * 7/1985 Trotman A47C 31/116
 267/145
 D306,543 S * 3/1990 Pestuglicci 5/653
 D322,302 S * 12/1991 Yu D21/804
 D367,771 S * 3/1996 Julian 5/655
 D376,720 S * 12/1996 Thode D6/603
 D380,118 S * 6/1997 Ford D6/601
 6,601,252 B1 * 8/2003 Leach A47C 1/146
 5/420
 D489,929 S * 5/2004 Sherk D6/604
 6,823,547 B1 * 11/2004 Harding A47C 27/081
 5/655
 D509,395 S * 9/2005 Armstrong D6/601
 D509,396 S * 9/2005 Wiltberger D6/601
 D509,693 S * 9/2005 Wiltberger D6/601
 D557,965 S * 12/2007 Rybinski D6/601
 D591,097 S * 4/2009 DeLong D6/596
 D620,732 S * 8/2010 Andrews D6/512
 D628,004 S * 11/2010 Moorefield D6/601
 D640,493 S * 6/2011 Nishijima D6/601
 8,151,389 B1 * 4/2012 Lando A47D 5/006
 5/655
 D672,183 S * 12/2012 Alletto, Jr. D6/601
 D681,998 S * 5/2013 Rowe D6/601
 8,458,832 B1 * 6/2013 Krishna A47G 9/0261
 5/501
 D702,460 S * 4/2014 Unger D6/601

D722,239 S * 2/2015 Russell D6/601
 D734,962 S * 7/2015 Kale D6/611
 D740,904 S * 10/2015 Santaw D21/803
 D747,899 S * 1/2016 Klein D6/601
 D773,211 S * 12/2016 Davis D6/601
 D797,474 S * 9/2017 Lukin, Jr. D6/601
 D828,055 S * 9/2018 Chen D6/601
 D828,700 S * 9/2018 Jhunjnuwala D6/601
 D852,541 S * 7/2019 Beliveau D6/601
 D857,829 S * 8/2019 Peterson E01D 15/20
 D21/809
 D861,370 S * 10/2019 Cunningham D6/512
 2003/0226205 A1 * 12/2003 Fishman A47G 9/083
 5/413 R
 2008/0028529 A1 * 2/2008 Abell A47G 9/0253
 5/640
 2011/0252567 A1 * 10/2011 Yu A47G 9/10
 5/640
 2012/0222218 A1 * 9/2012 Davis A47G 9/10
 5/490
 2017/0238733 A1 * 8/2017 Saunier A47G 9/062
 2018/0168372 A1 * 6/2018 Pool A47G 9/0207
 2019/0099018 A1 * 4/2019 Holt A47C 27/001

OTHER PUBLICATIONS

Orvis: Comfortable Combinations Adjustable Pillow, announced unknown,[online],[site visited Mar. 24, 2020].Available from Internet, , URL:<https://www.orvis.com/p/the-comfort-combinations-adjustable-pillow/8g4l>> (Year: 2020).*

* cited by examiner

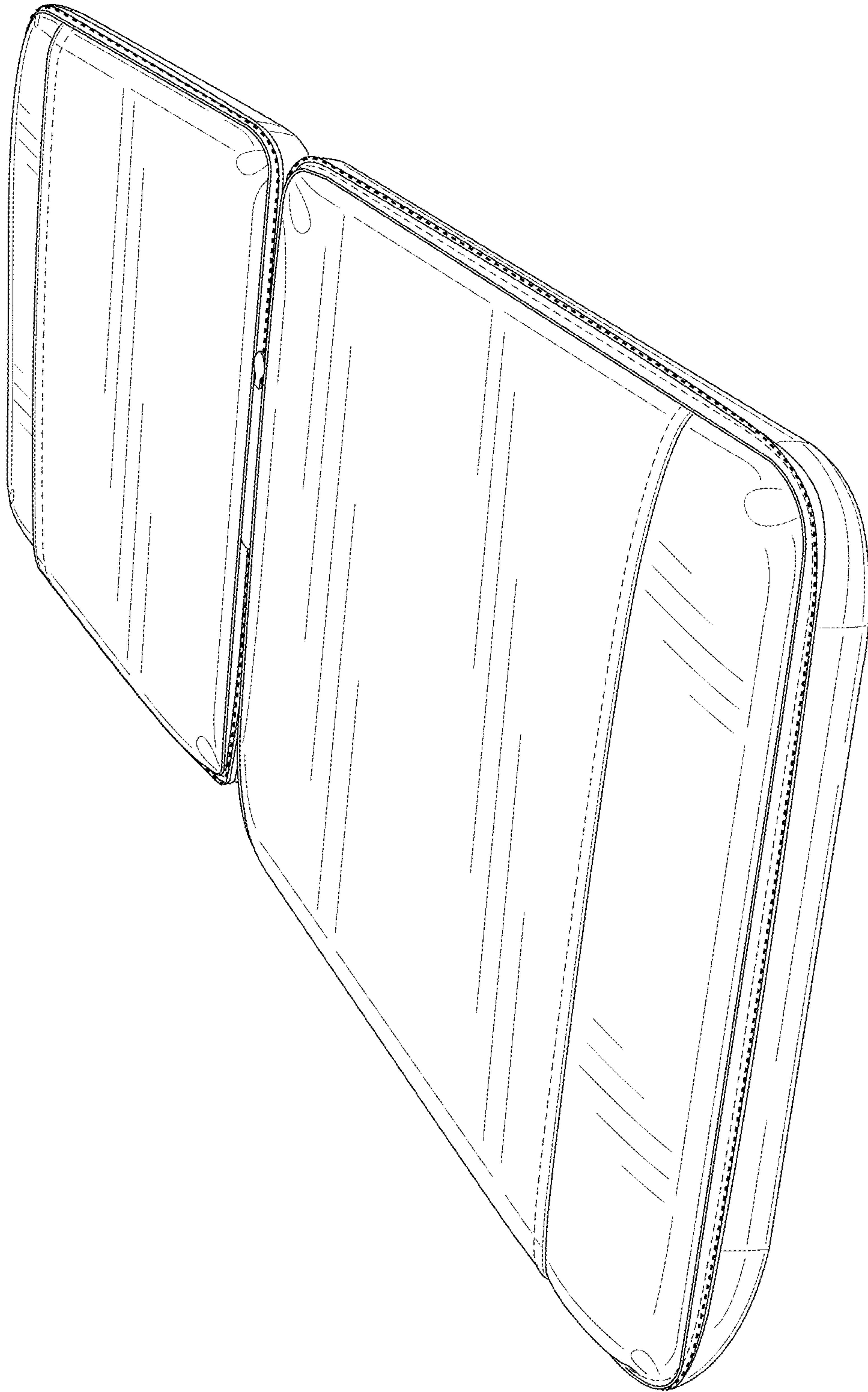


FIG. 1

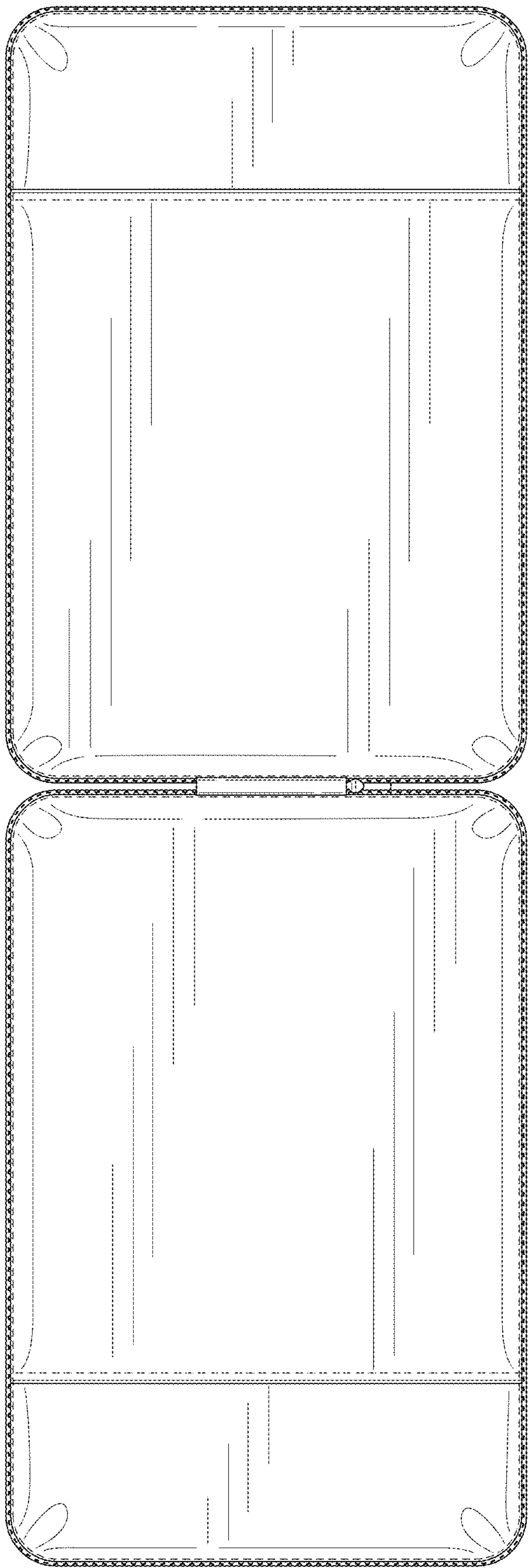


FIG. 2

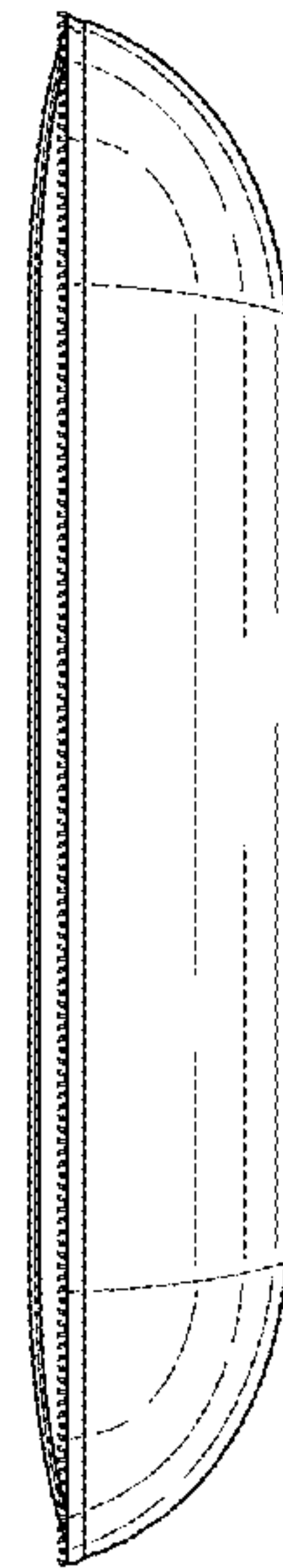


FIG. 3

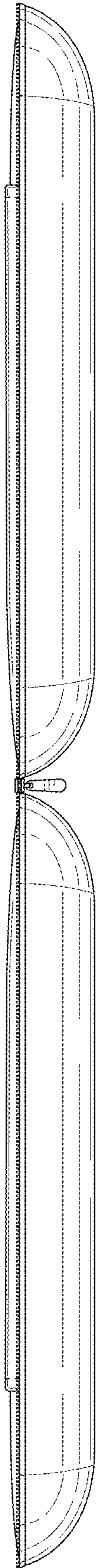


FIG. 4

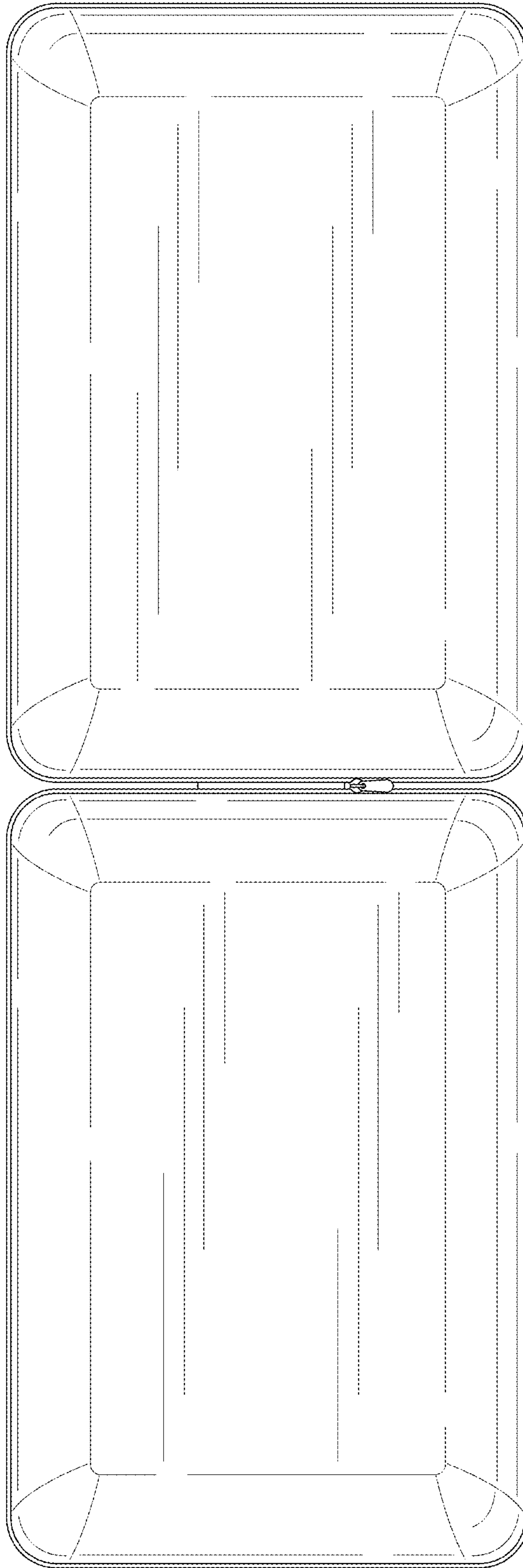


FIG. 5