



US00D898422S

(12) **United States Design Patent**
Taut

(10) **Patent No.:** **US D898,422 S**

(45) **Date of Patent:** **** Oct. 13, 2020**

(54) **PILLOW**

(71) Applicant: **Judith Ann Taut**, Lakewood, WA (US)

(72) Inventor: **Judith Ann Taut**, Lakewood, WA (US)

(**) Term: **15 Years**

(21) Appl. No.: **29/646,093**

(22) Filed: **May 1, 2018**

(51) **LOC (12) Cl.** **06-09**

(52) **U.S. Cl.**
USPC **D6/601**

(58) **Field of Classification Search**
USPC D6/333, 349, 355, 375, 388, 512, 563,
D6/564, 595, 596, 601, 603, 605, 608,
D6/604, 611; D24/183-185, 234;
D21/803, 804, 805, 809; 5/401, 420,
5/600, 630, 631, 632, 633, 635, 636, 638,
5/639, 646, 652, 652.1, 655, 703, 730,
5/411, 705
CPC .. A47G 9/0238; A47G 9/0246; A47G 9/0261;
A47G 2009/0269; A47G 9/10; A47G
9/1018; A47G 9/1027; A47G 9/1063;
A47G 9/1072; A47G 9/1081; A47G
9/1054

See application file for complete search history.

(56) **References Cited**

U.S. PATENT DOCUMENTS

- D24,038 S * 2/1895 Kuhn D6/355
- 2,167,622 A * 8/1939 Bentivoglio A47G 9/10
5/636
- D159,483 S * 8/1950 Glassman D6/604
- 2,952,856 A * 9/1960 Ruff A47G 9/10
5/640
- D237,569 S * 11/1975 De Rue D6/599
- D258,557 S * 3/1981 Herr 5/636
- D270,664 S * 9/1983 Greenberg D24/194
- 4,447,922 A * 5/1984 Brochu A47D 1/103
297/391

- D282,036 S * 1/1986 Ritchie, Jr. D6/595
- D298,715 S * 11/1988 Swim D6/596
- D321,562 S * 11/1991 Ljungvall 5/646
- D322,312 S * 12/1991 Mombrinie D24/158

(Continued)

FOREIGN PATENT DOCUMENTS

JP D1372683 * 11/2009

Primary Examiner — Sanjeev Paul

(74) *Attorney, Agent, or Firm* — Davis Wright Tremaine
LLP

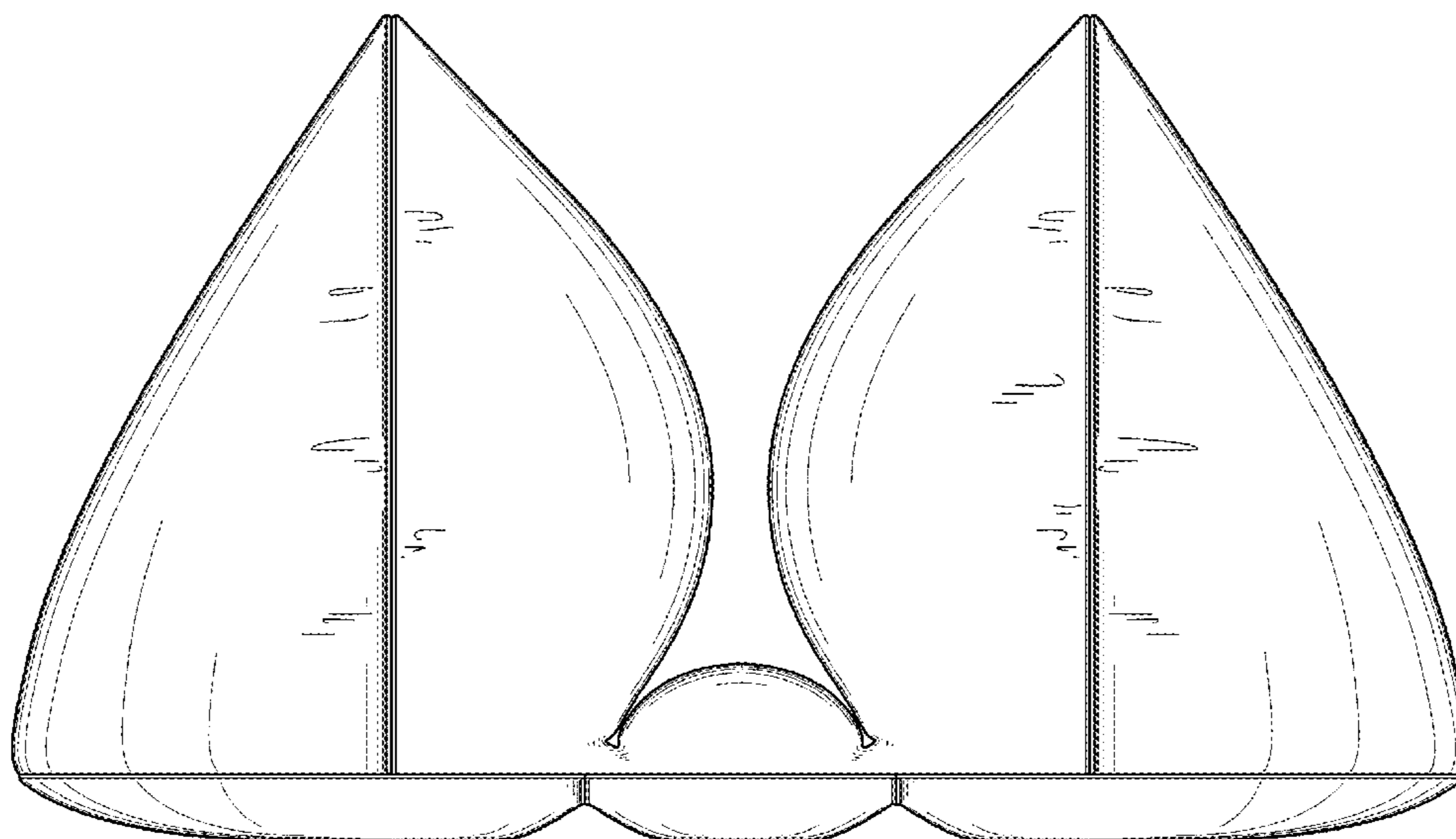
(57) **CLAIM**

The ornamental design for a pillow, as shown and described.

DESCRIPTION

FIG. 1 is a first environmental perspective view of a pillow showing my new design being enjoyed by a user;
 FIG. 2 is a second environmental perspective view thereof;
 FIG. 3 is a front side view thereof shown in a first configuration;
 FIG. 4 is a rear side view thereof shown in the first configuration;
 FIG. 5 is a first side view thereof shown in the first configuration;
 FIG. 6 is a second side view thereof shown in the first configuration;
 FIG. 7 is a bottom view thereof shown in the first configuration;
 FIG. 8 is a top view thereof shown in the first configuration; and,
 FIG. 9 is an alternative top view thereof shown in a second configuration wherein peripheral portions of the pillow are spread to show an inner portion of the pillow.
 The design details shown in broken lines form no part of the claimed design and/or are used to depict environmental subject matter that forms no part of the claimed design.

1 Claim, 9 Drawing Sheets



(56)

References Cited

U.S. PATENT DOCUMENTS

5,182,828 A * 2/1993 Alivizatos A47C 20/025
5/631
D343,756 S * 2/1994 Sher 5/655
5,359,739 A * 11/1994 Rains A47C 21/08
5/424
5,367,730 A * 11/1994 Sher A47D 13/08
5/632
D360,554 S * 7/1995 Righini D21/809
5,499,418 A * 3/1996 Tan A47D 13/08
5/655
D370,956 S * 6/1996 Pery D21/809
D389,359 S * 1/1998 Nowak 5/655
D390,298 S * 2/1998 Ince 5/633
6,182,311 B1 * 2/2001 Buchanan A47C 20/021
128/845
6,640,367 B2 * 11/2003 Hsia A47G 9/1009
5/636
6,641,220 B2 * 11/2003 Clegg A47C 7/383
297/397
D485,724 S * 1/2004 Morikawa D6/601
D494,128 S * 8/2004 Berger D12/416
D504,270 S * 4/2005 Lowenthal D6/601
6,971,715 B2 * 12/2005 Hankins B62J 1/20
280/304.4
D523,679 S * 6/2006 Illingworth D6/601
D576,439 S * 9/2008 Yaroshenko D6/601

D604,549 S * 11/2009 Yaroshenko D6/601
D636,452 S * 4/2011 Majors D21/803
7,975,336 B1 * 7/2011 Perry A47C 20/027
5/636
D672,420 S * 12/2012 Rominger D21/803
D691,828 S * 10/2013 Rosenberg D6/601
D728,970 S * 5/2015 Gilroy A47C 7/383
D6/601
D738,136 S * 9/2015 Goldblatt D6/601
D749,972 S * 2/2016 Pajonk-Taylor D10/107
D766,015 S * 9/2016 Walker A47C 7/383
D6/601
D823,026 S * 7/2018 Shi D6/601
D839,025 S * 1/2019 Casta-Baez D6/601
D850,154 S * 6/2019 Gilroy D6/601
10,383,466 B2 * 8/2019 Wilmarth A47C 20/027
D867,021 S * 11/2019 Yang D6/601
D871,108 S * 12/2019 Yang D6/601
D872,502 S * 1/2020 Xu D6/601
D873,051 S * 1/2020 Chen D6/601
2006/0031992 A1 * 2/2006 Moore A47C 20/021
5/630
2008/0155754 A1 * 7/2008 Desjarlais A47G 9/1009
5/652
2009/0313761 A1 * 12/2009 North A47C 20/02
5/632
2015/0128348 A1 * 5/2015 Gottlieb A47G 9/1081
5/637
2017/0367507 A1 * 12/2017 Rakos A47D 13/083

* cited by examiner

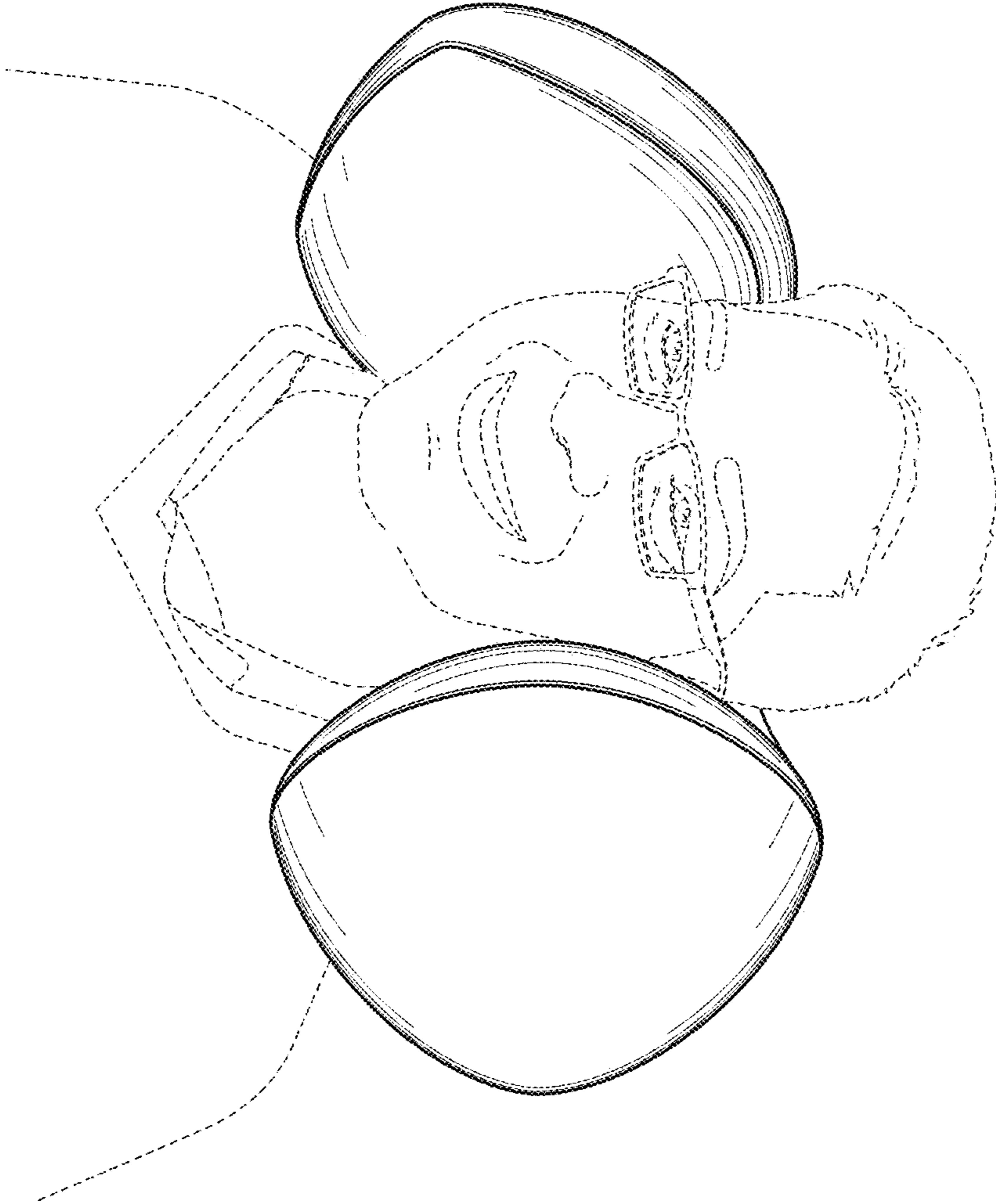


Fig. 1



Fig. 2

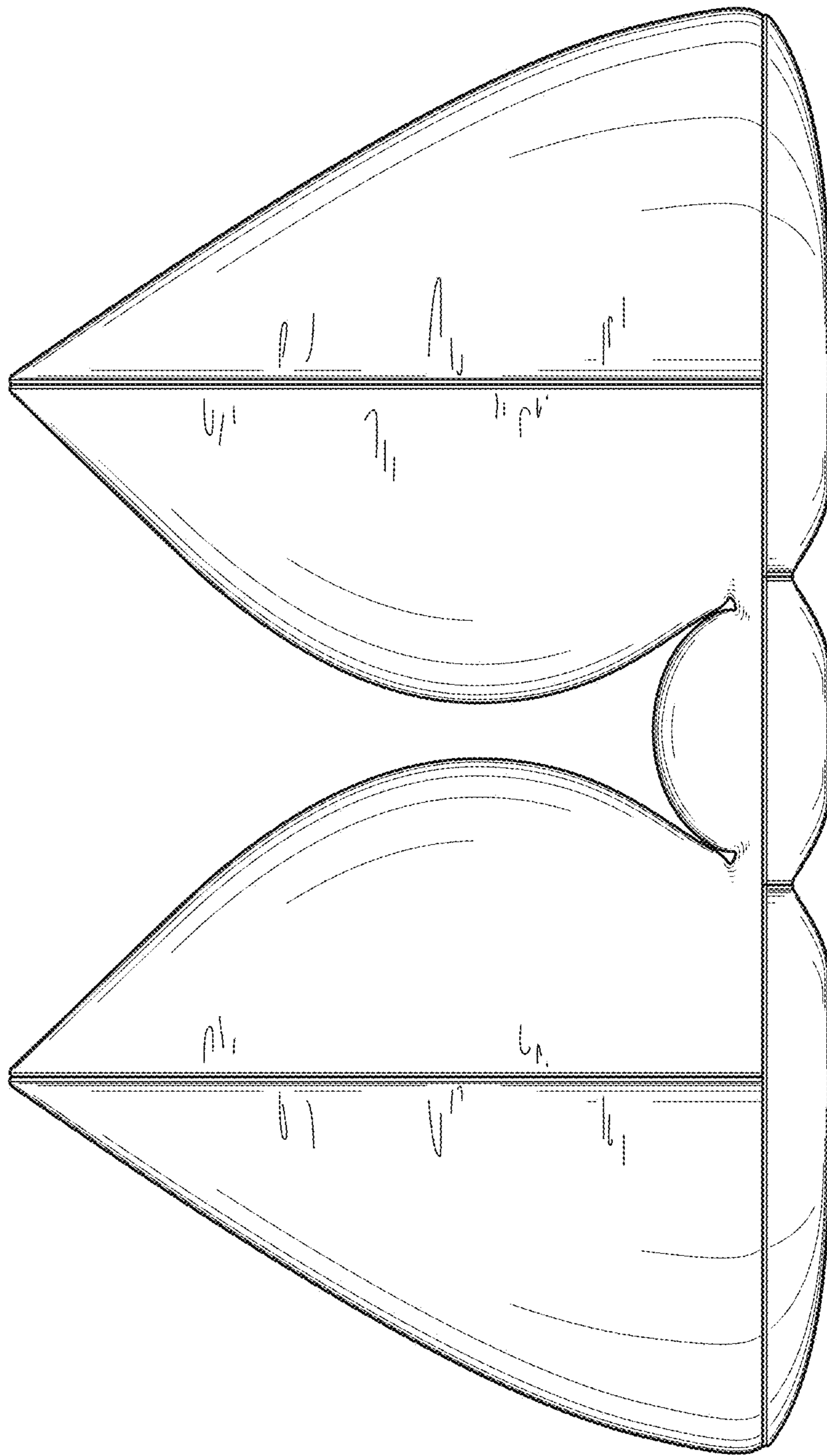


Fig. 3

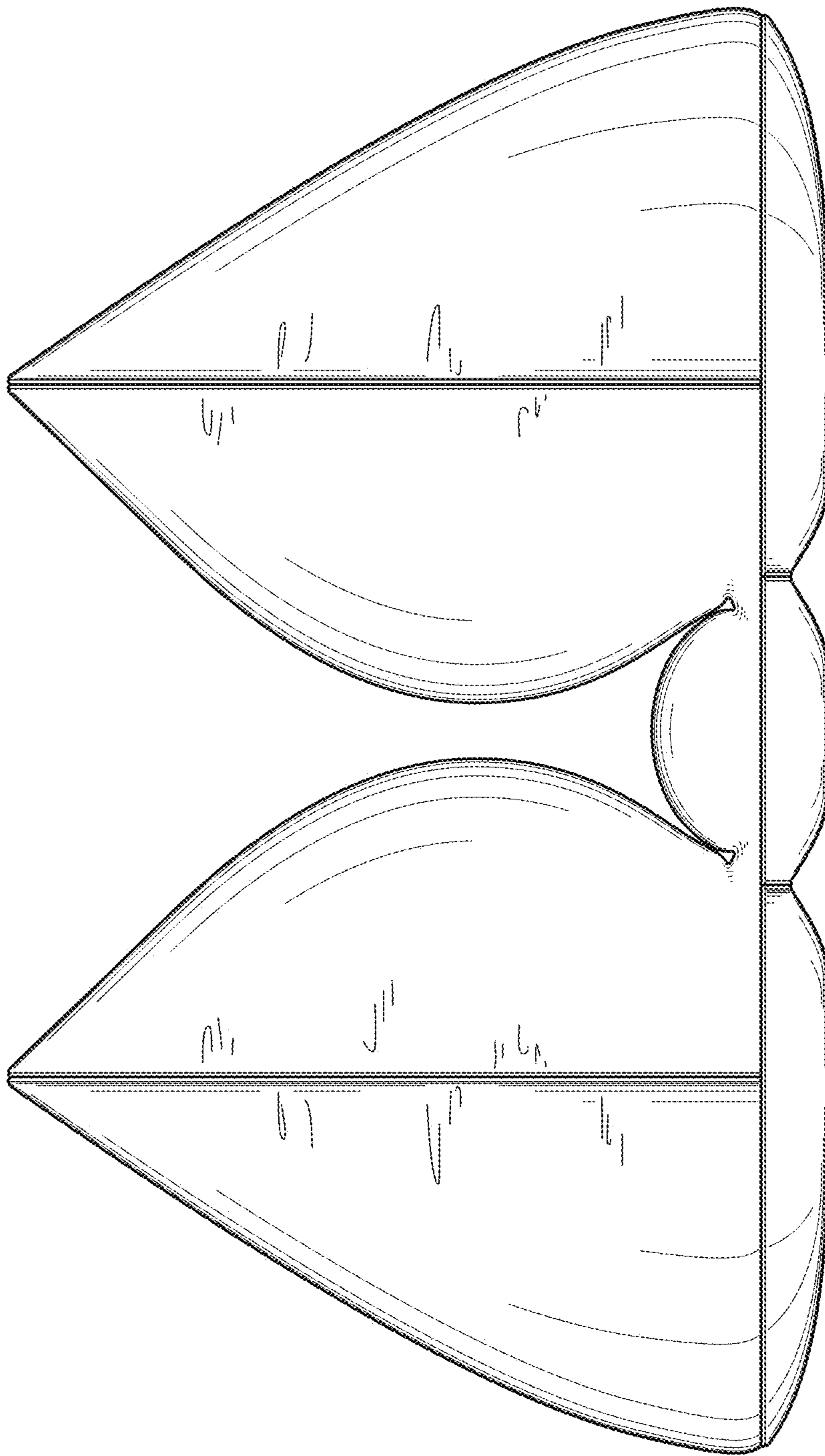


Fig. 4



Fig. 5



Fig. 6

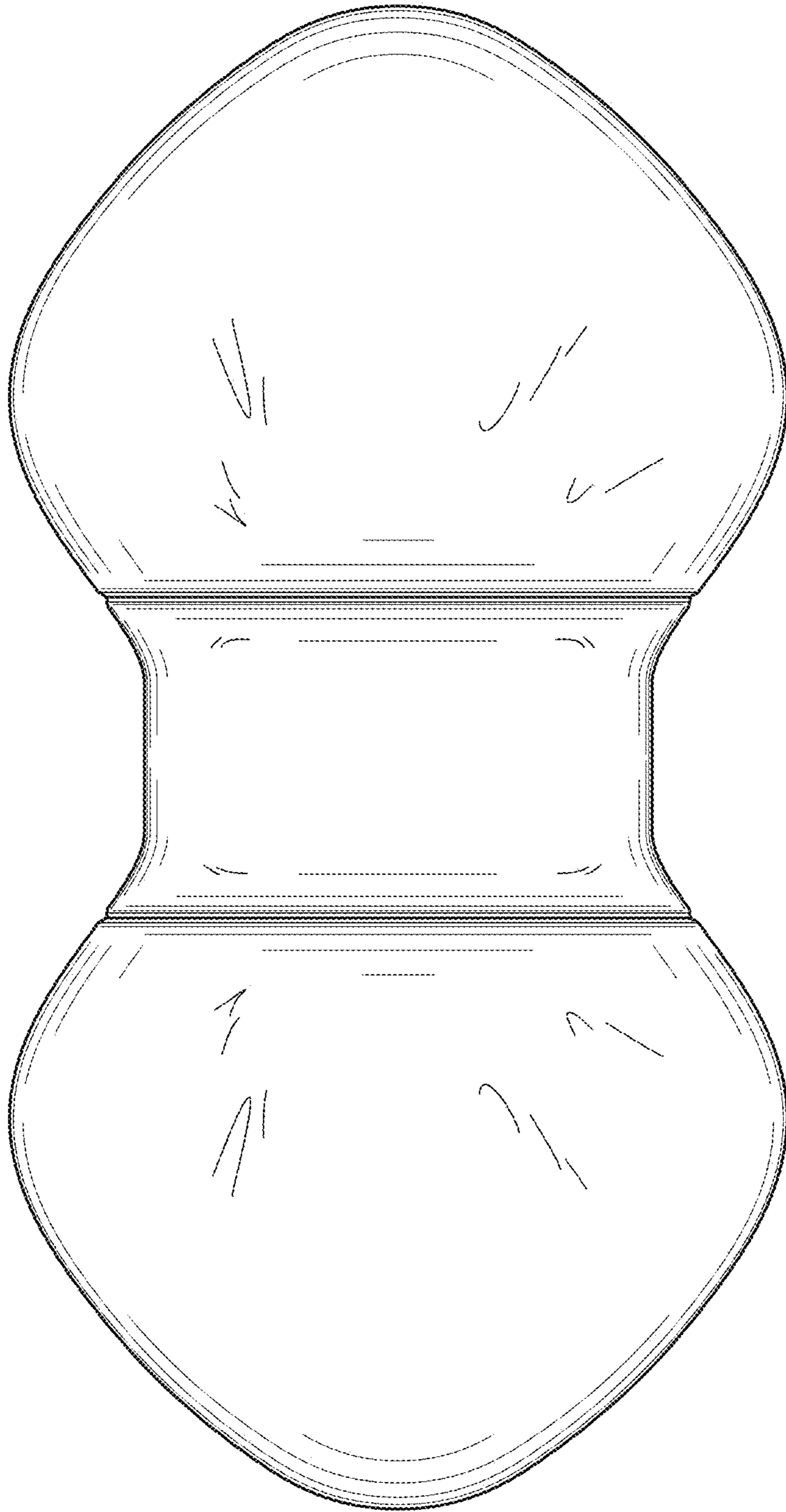


Fig. 7

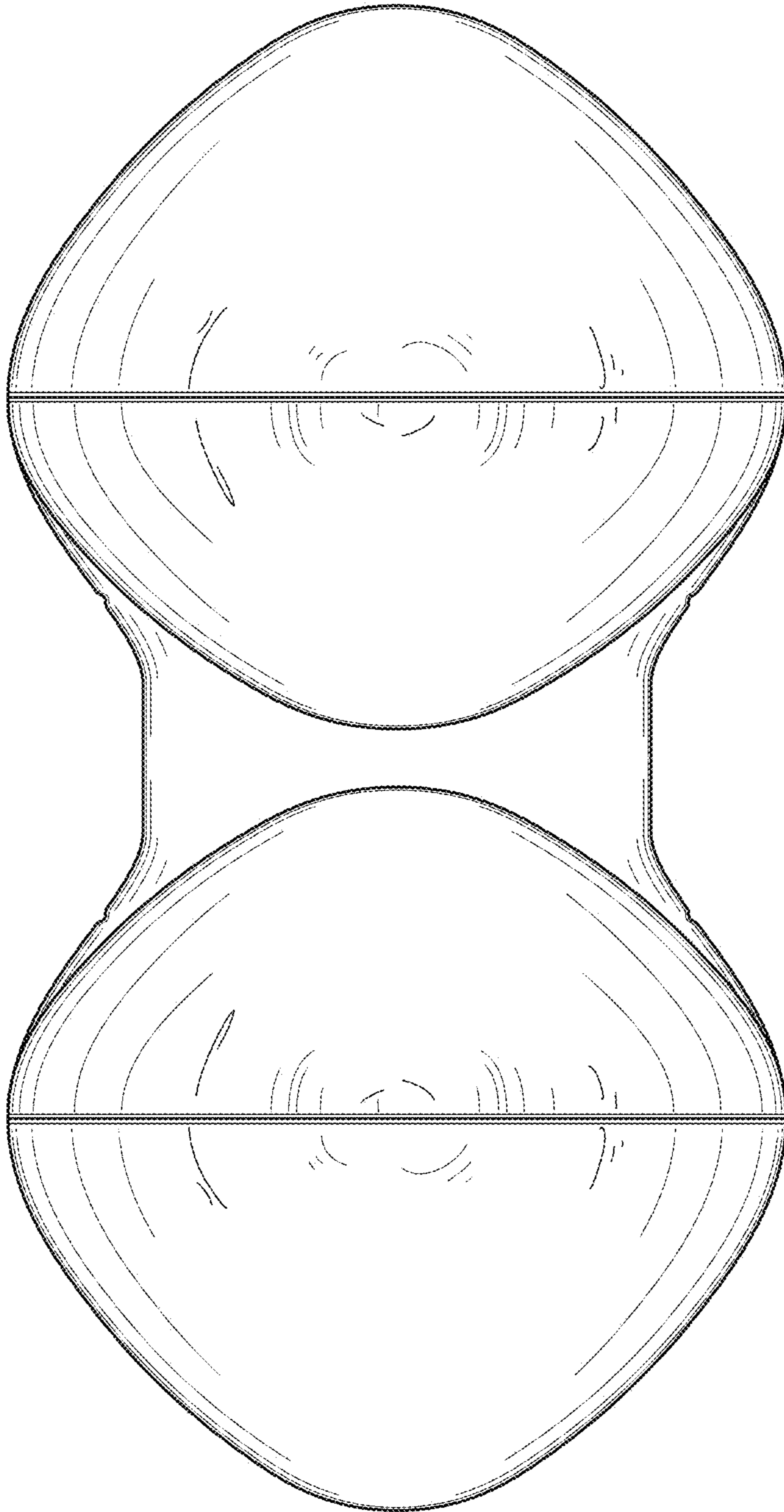


Fig. 8

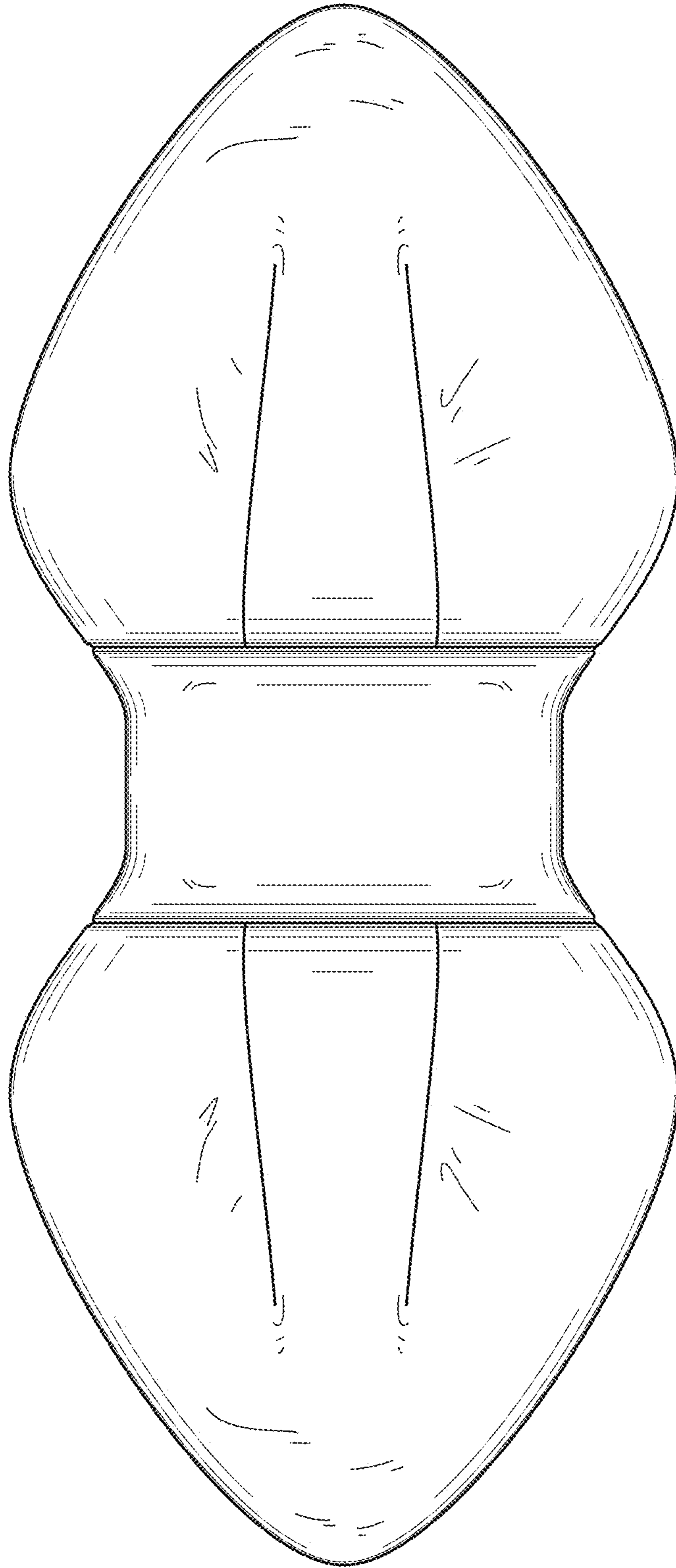


Fig. 9