



US00D898420S

(12) **United States Design Patent** (10) **Patent No.:** **US D898,420 S**  
**Tan** (45) **Date of Patent:** **\*\* Oct. 13, 2020**

(54) **CAR SEAT CUSHION**

(71) Applicant: **Jie Tan**, Shenzhen (CN)

(72) Inventor: **Jie Tan**, Shenzhen (CN)

(73) Assignee: **Jie Tan**, Shenzhen (CN)

(\*\*) Term: **15 Years**

(21) Appl. No.: **29/599,217**

(22) Filed: **Mar. 31, 2017**

(51) **LOC (12) Cl.** ..... **06-09**

(52) **U.S. Cl.**  
USPC ..... **D6/601**

(58) **Field of Classification Search**  
USPC ..... D6/333, 349, 355, 375, 388, 512, 563,  
D6/564, 595, 596, 601, 602, 603, 604,  
D6/605, 606, 607, 608, 707, 715, 716,  
D6/716.1, 356; 5/636, 490, 491, 495;  
D24/183-184  
CPC ..... A47C 17/021; A47C 17/13; A47C 17/132;  
A47C 17/136; A47C 17/1655; A47C  
17/207; A47G 9/10; A47G 9/1027; A47G  
9/1081; A47G 9/1036; A47G 9/1063;  
A47G 2009/1018

See application file for complete search history.

(56) **References Cited**

**U.S. PATENT DOCUMENTS**

D234,555 S \* 3/1975 Barecki ..... D6/356  
D273,540 S \* 4/1984 Wagner ..... D6/356  
4,707,027 A \* 11/1987 Horvath ..... B60N 2/914  
297/284.6  
D315,837 S \* 4/1991 Bernon ..... D6/368  
D330,118 S \* 10/1992 Lanius ..... D6/356  
D336,203 S \* 6/1993 Lin ..... D6/601  
D365,216 S \* 12/1995 Smith ..... D6/356  
D371,465 S \* 7/1996 Stulik ..... D6/356  
D387,914 S \* 12/1997 Beermann ..... D6/356  
D391,087 S \* 2/1998 Sacco ..... D6/356

5,758,924 A \* 6/1998 Vishey ..... A47C 7/467  
297/284.4  
D400,044 S \* 10/1998 Rosenberg ..... D6/611  
D440,107 S \* 4/2001 Hsu ..... D6/611  
D440,454 S \* 4/2001 Roberts ..... D6/601  
D440,808 S \* 4/2001 Roberts ..... D6/601  
D451,719 S \* 12/2001 Tseng ..... D6/366  
D463,173 S \* 9/2002 Chi ..... D6/366  
D482,559 S \* 11/2003 Yoon ..... D6/611  
D506,084 S \* 6/2005 Beermann ..... D6/356  
D534,005 S \* 12/2006 Beermann ..... D6/356  
D535,485 S \* 1/2007 Moburg ..... D6/356  
D536,185 S \* 2/2007 Ritzel ..... D6/356  
D536,543 S \* 2/2007 Hsu ..... D6/356

(Continued)

**FOREIGN PATENT DOCUMENTS**

KR 300972893.0000 \* 2/2018

*Primary Examiner* — Sanjeev Paul

(74) *Attorney, Agent, or Firm* — Timothy T. Wang; Ni, Wang & Massand, PLLC

(57) **CLAIM**

The ornamental design for a car seat cushion, as shown and described.

**DESCRIPTION**

FIG. 1 is a perspective view of a car seat cushion showing my new design;

FIG. 2 is a top plan view thereof;

FIG. 3 is a bottom plan view thereof;

FIG. 4 is a left side elevational view thereof;

FIG. 5 is a right side elevational view thereof;

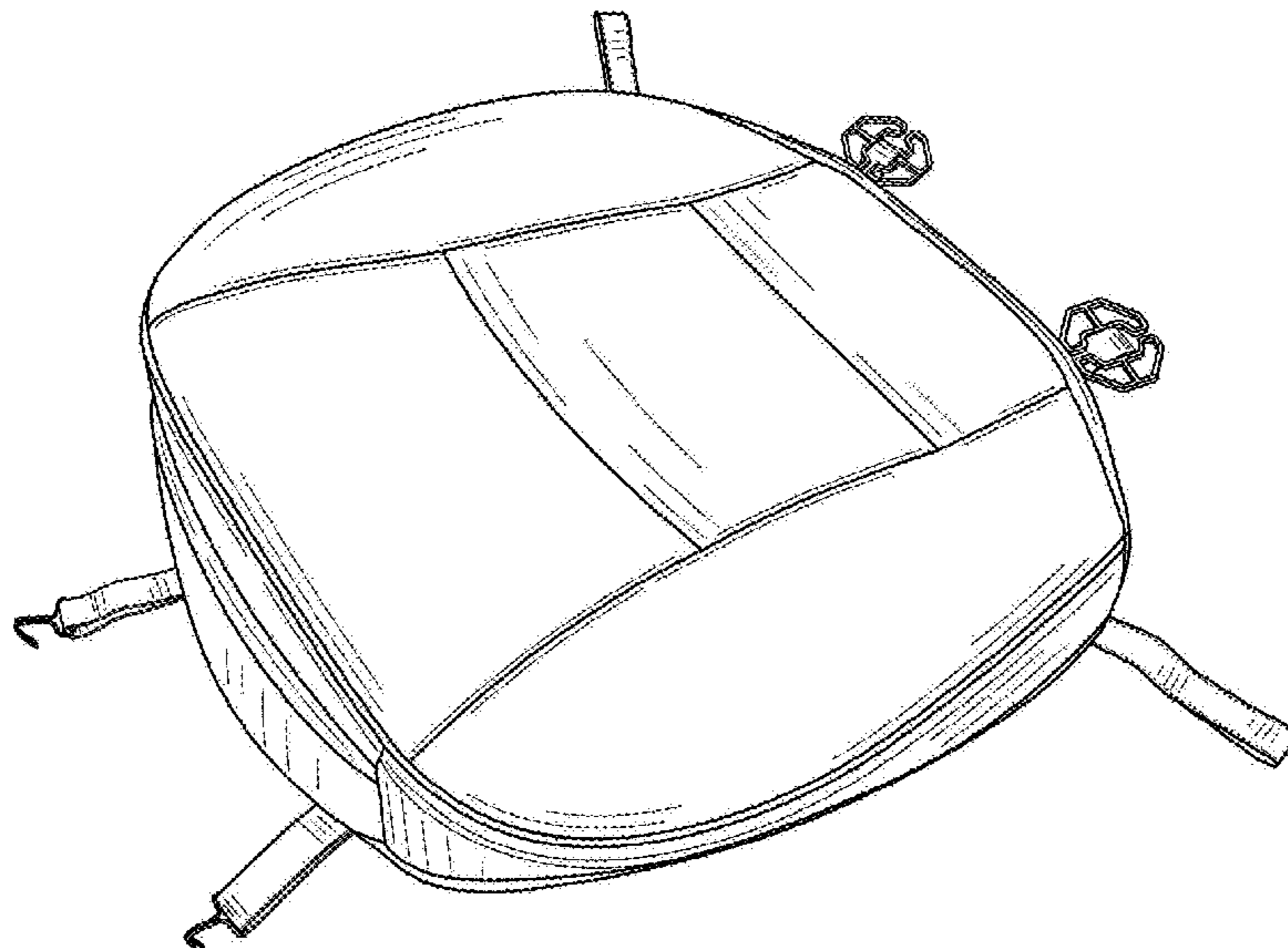
FIG. 6 is a front elevational view thereof; and,

FIG. 7 is a rear side elevational view thereof.

The dash lines on the side straps of the car seat cushion represent stitches and form no part of the claimed design.

Additional broken lines depict unclaimed portions of the car seat cushion and form no part the claimed design.

**1 Claim, 7 Drawing Sheets**



(56)

References Cited

U.S. PATENT DOCUMENTS

D536,909 S *	2/2007	Egger	D6/366	D724,334 S *	3/2015	Ashley	D6/356
D537,663 S *	3/2007	Johnson	D6/366	D750,926 S *	3/2016	Line	D6/716.1
D539,067 S *	3/2007	Dayan	D24/200	D768,412 S *	10/2016	Ngo	D6/611
D541,542 S *	5/2007	Yokoyama	D6/356	D774,319 S *	12/2016	Ingenlath	D6/356
D568,085 S *	5/2008	Pawsey	D6/601	D779,857 S *	2/2017	Goddard	D6/601
D578,785 S *	10/2008	Wyszogrod	D6/356	D780,484 S *	3/2017	Goddard	D6/601
D592,413 S *	5/2009	Higashida	D6/356	D780,485 S *	3/2017	Goddard	D6/601
D651,001 S *	12/2011	Fleming	D6/356	D782,850 S *	4/2017	Goddard	D6/601
D651,002 S *	12/2011	Fleming	D6/356	D782,851 S *	4/2017	Goddard	D6/601
D651,003 S *	12/2011	Fleming	D6/356	D787,859 S *	5/2017	Goddard	D6/601
D651,004 S *	12/2011	Fleming	D6/356	D787,860 S *	5/2017	Goddard	D6/601
D651,819 S *	1/2012	Fleming	D6/356	D790,256 S *	6/2017	Goddard	D6/601
D696,035 S *	12/2013	Hatter	D6/356	D795,612 S *	8/2017	Goddard	D6/601
D704,489 S *	5/2014	Menne, III	D6/716.1	D799,225 S *	10/2017	Callum	D6/356
D723,821 S *	3/2015	Kondou	D6/356	D804,205 S *	12/2017	Godard	D6/356
D723,823 S *	3/2015	Persson	D6/356	D805,313 S *	12/2017	Varga	D6/356
D723,824 S *	3/2015	Persson	D6/356	D817,652 S *	5/2018	Nunn	D6/356
D723,825 S *	3/2015	Persson	D6/356	D830,713 S *	10/2018	Iida	D6/356
D724,333 S *	3/2015	Ashley	D6/356	D830,753 S *	10/2018	Waterhouse	D6/716.1
				D841,352 S *	2/2019	Bekas	D6/356
				D845,200 S *	4/2019	Tomasson	D12/195

\* cited by examiner

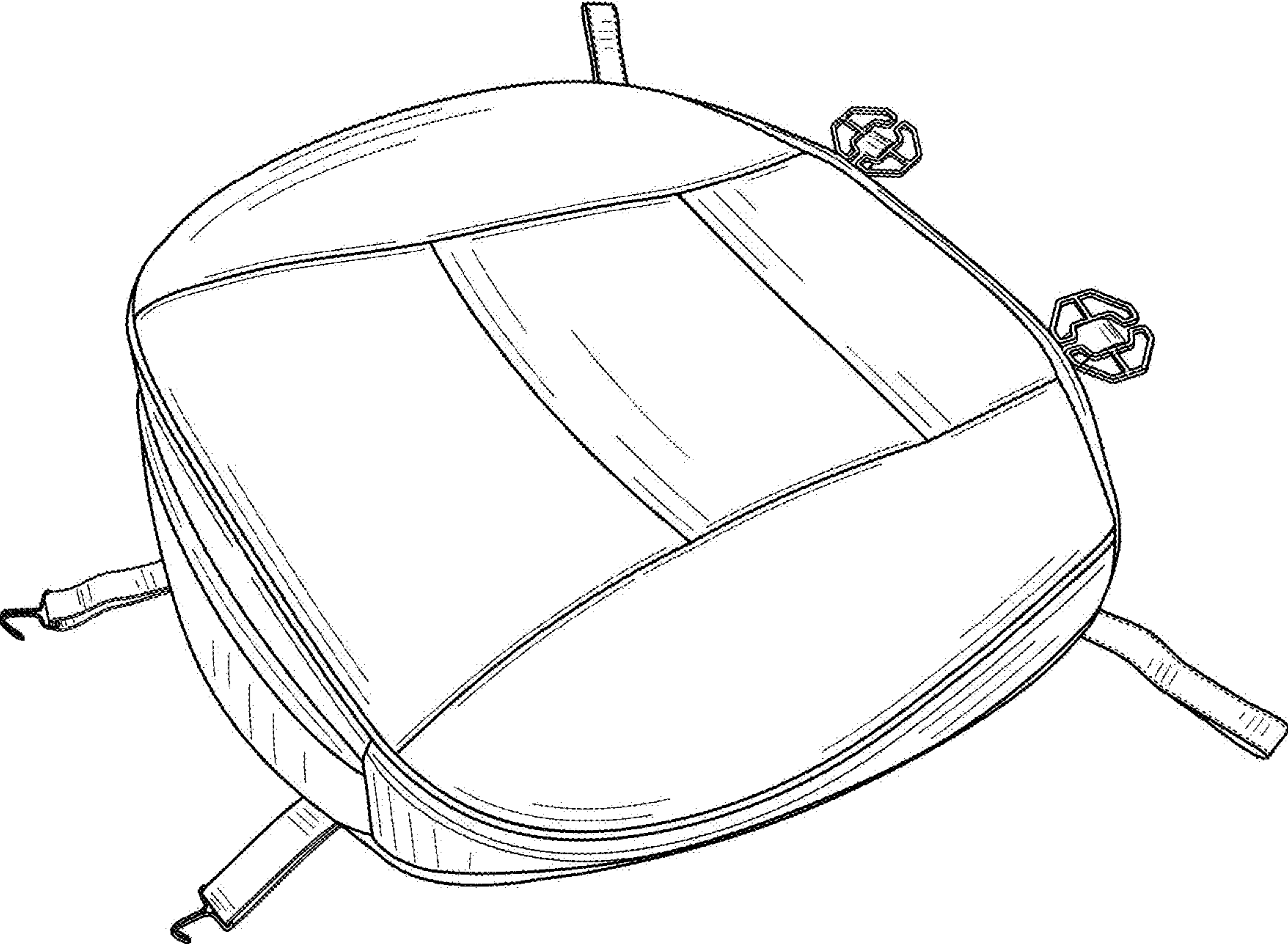


FIG. 1



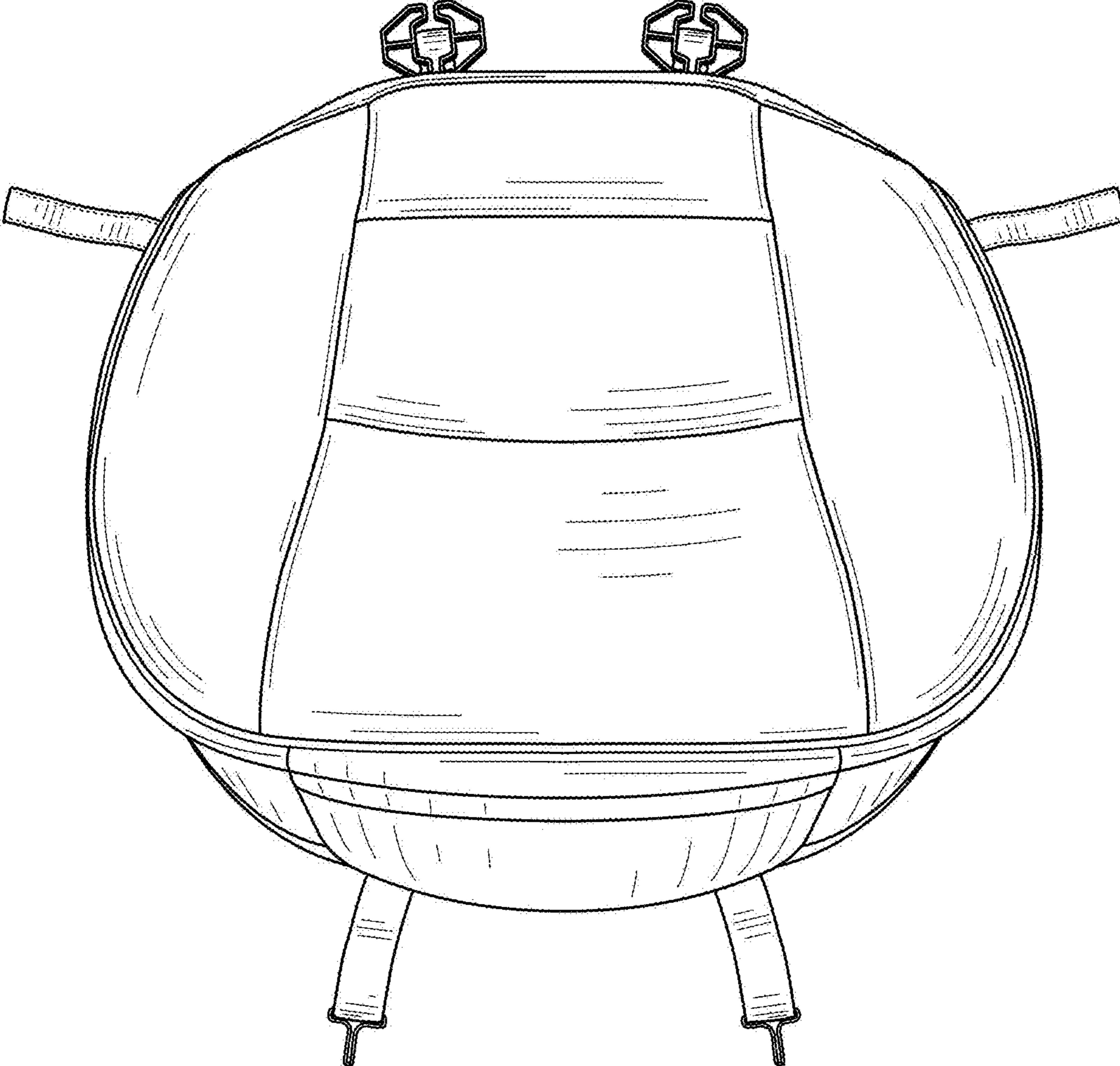


FIG. 2

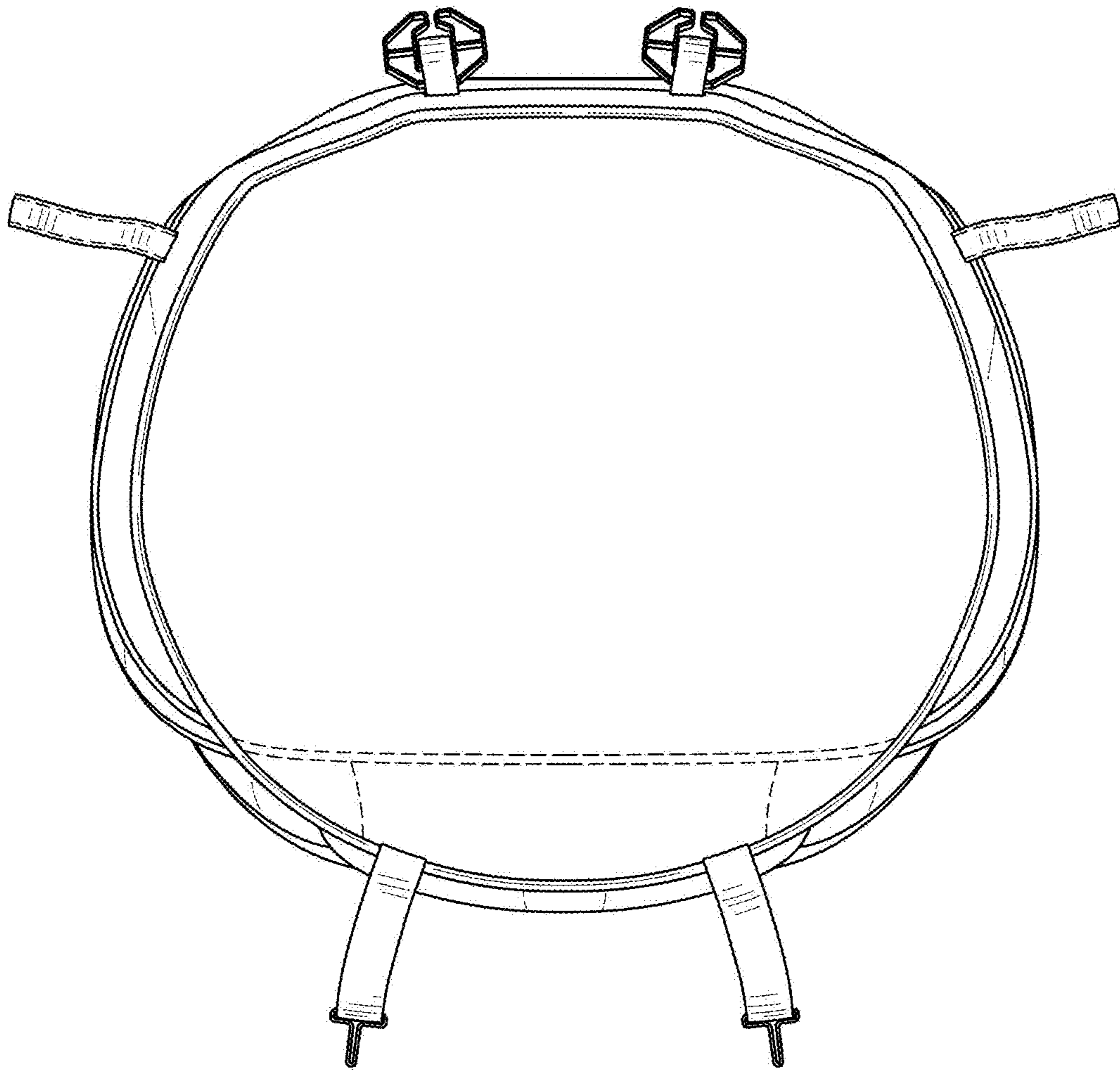


FIG. 3

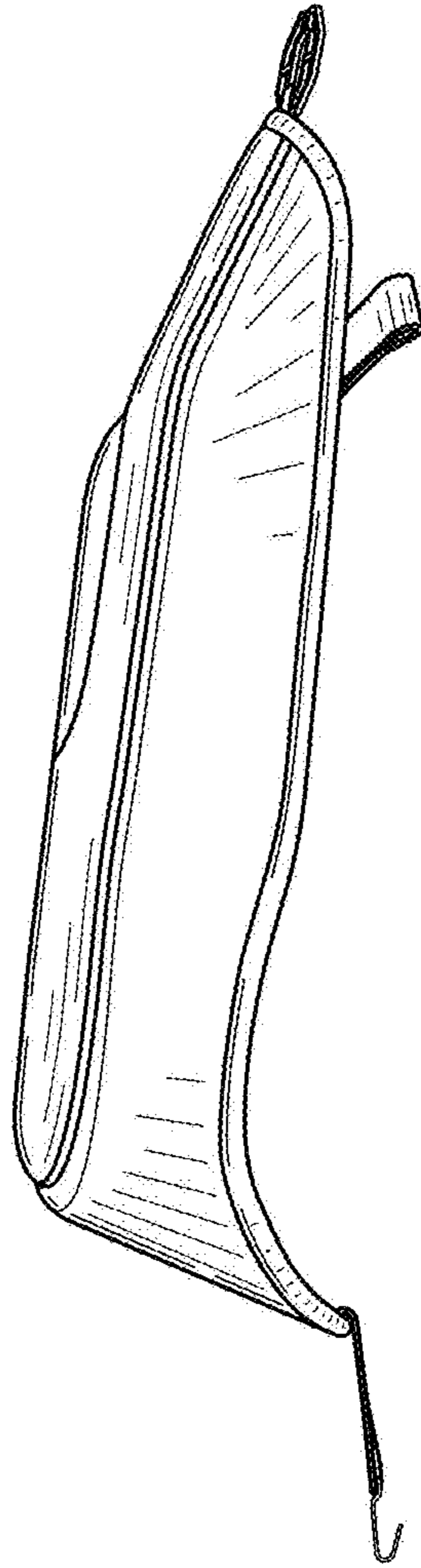


FIG. 4



FIG. 5

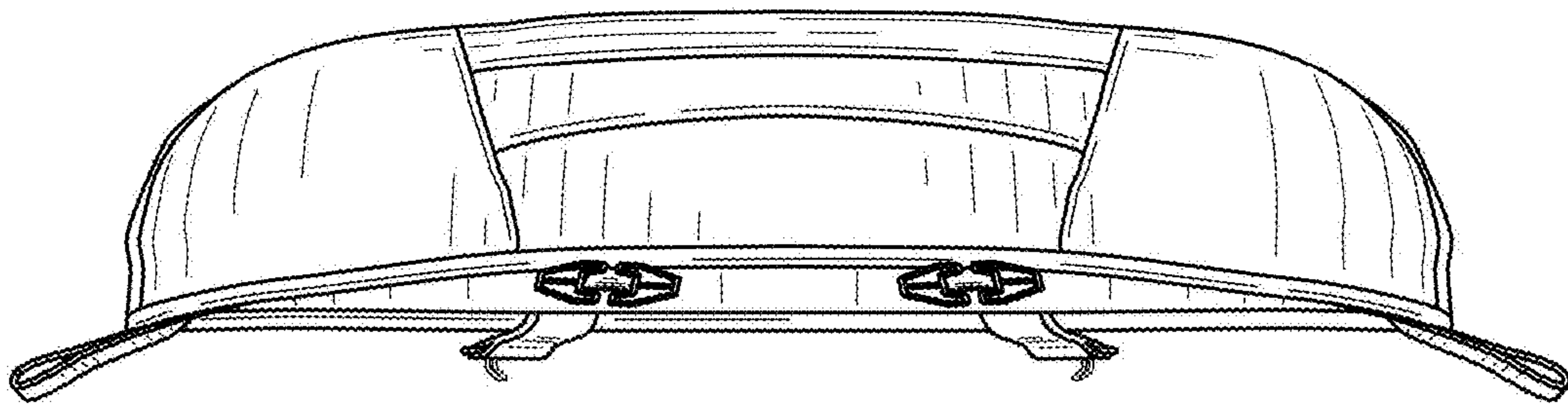


FIG. 6



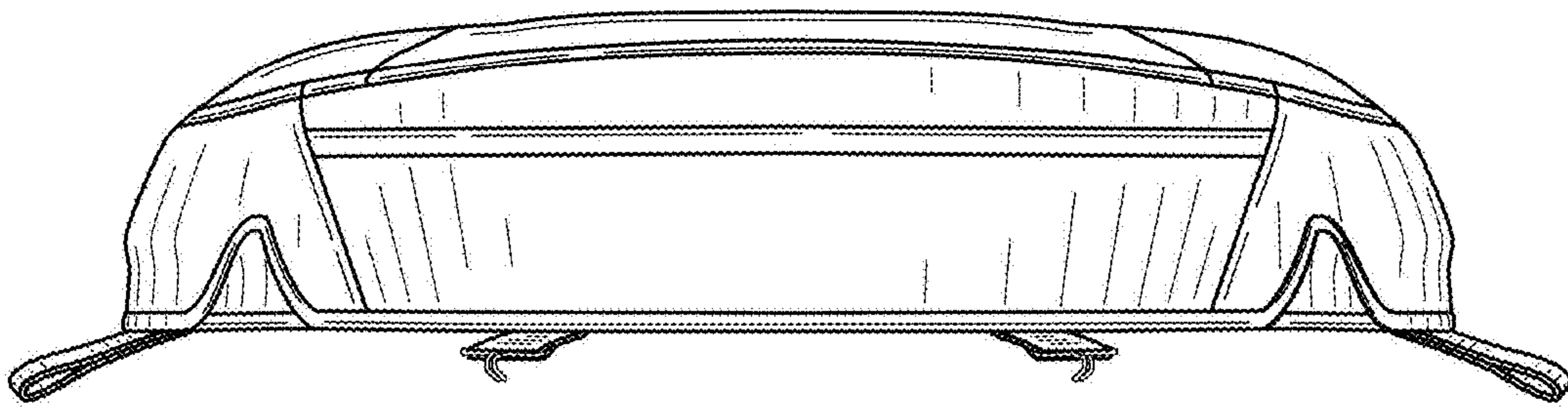


FIG. 7