



US00D898419S

(12) **United States Design Patent** (10) **Patent No.:** **US D898,419 S**  
**Liu** (45) **Date of Patent:** **\*\* Oct. 13, 2020**

(54) **BONE-CONDUCTED 3D MASSAGE PILLOW**

(71) Applicant: **TRAVELMALL HEALTH TECHNOLOGY CO., LTD.**,  
Dongguan, Guangdong (CN)

(72) Inventor: **Zhiming Liu**, Guangdong (CN)

(73) Assignee: **TRAVELMALL HEALTH TECHNOLOGY CO., LTD.**,  
Guangdong (CN)

(\*\*) Term: **15 Years**

(21) Appl. No.: **29/582,209**

(22) Filed: **Oct. 26, 2016**

(51) **LOC (12) Cl.** ..... **06-09**

(52) **U.S. Cl.**  
USPC ..... **D6/601**

(58) **Field of Classification Search**  
USPC ..... D6/333, 349, 355, 375, 388, 512, 563,  
D6/564, 595, 596, 601, 604, 611, 707,  
D6/715, 716, 716.1; D24/183-185, 234;  
D21/803, 804, 805, 809; 5/401, 420,  
5/600, 630, 631, 632, 633, 635, 636, 638,  
5/639, 646, 652, 652.1, 655, 703, 730;  
297/1, 2, 4, 93, 180.11, 195.1, 195.11,  
297/195.13, 393, 397, 452.12, 452.14,  
297/452.15, 452.21, 452.24, 452.26,  
297/452.48, 452.62, 482  
CPC ..... A47G 9/10; A47G 9/1009; A47G 9/1027;  
A47G 9/1045; A47G 9/1063; A47G  
9/1072; A47G 9/1081  
See application file for complete search history.

(56) **References Cited**

**U.S. PATENT DOCUMENTS**

D322,380 S \* 12/1991 El-Asir ..... D6/601  
5,257,429 A \* 11/1993 Genis ..... A47C 7/383  
5/636

D419,024 S \* 1/2000 Lenahan ..... D6/601  
D421,085 S \* 2/2000 Fife ..... D21/801  
6,230,349 B1 \* 5/2001 Silver ..... A47C 7/383  
297/393  
6,763,539 B1 \* 7/2004 Bartley ..... A47D 13/083  
5/630  
D503,062 S \* 3/2005 Nash ..... D6/601  
D522,300 S \* 6/2006 Roberts ..... A47C 7/383  
D6/601  
D582,713 S \* 12/2008 Baldwin ..... D6/601  
D590,198 S \* 4/2009 Nostrant ..... D6/601  
D663,564 S \* 7/2012 Sclare ..... D6/601  
D664,799 S \* 8/2012 Schwingendorf ..... D6/601  
D665,212 S \* 8/2012 Schwingendorf ..... D6/601  
D672,596 S \* 12/2012 Sclare ..... D6/601

(Continued)

**OTHER PUBLICATIONS**

Travelicons Inflatable Travel Pillow,earliest review Jun. 28, 2017,  
[online]. [site visited Jul. 29, 2017]. Available from Internet, <URL:  
[https://www.amazon.com/Inflatable-Pillows-Airplanes-Removable-Travelicons/dp/B0722YSXCQ/ref=cm\\_cr\\_arp\\_d\\_product\\_top?ie=UTF8](https://www.amazon.com/Inflatable-Pillows-Airplanes-Removable-Travelicons/dp/B0722YSXCQ/ref=cm_cr_arp_d_product_top?ie=UTF8)>.\*

*Primary Examiner* — Sanjeev Paul  
(74) *Attorney, Agent, or Firm* — JCIPRNET

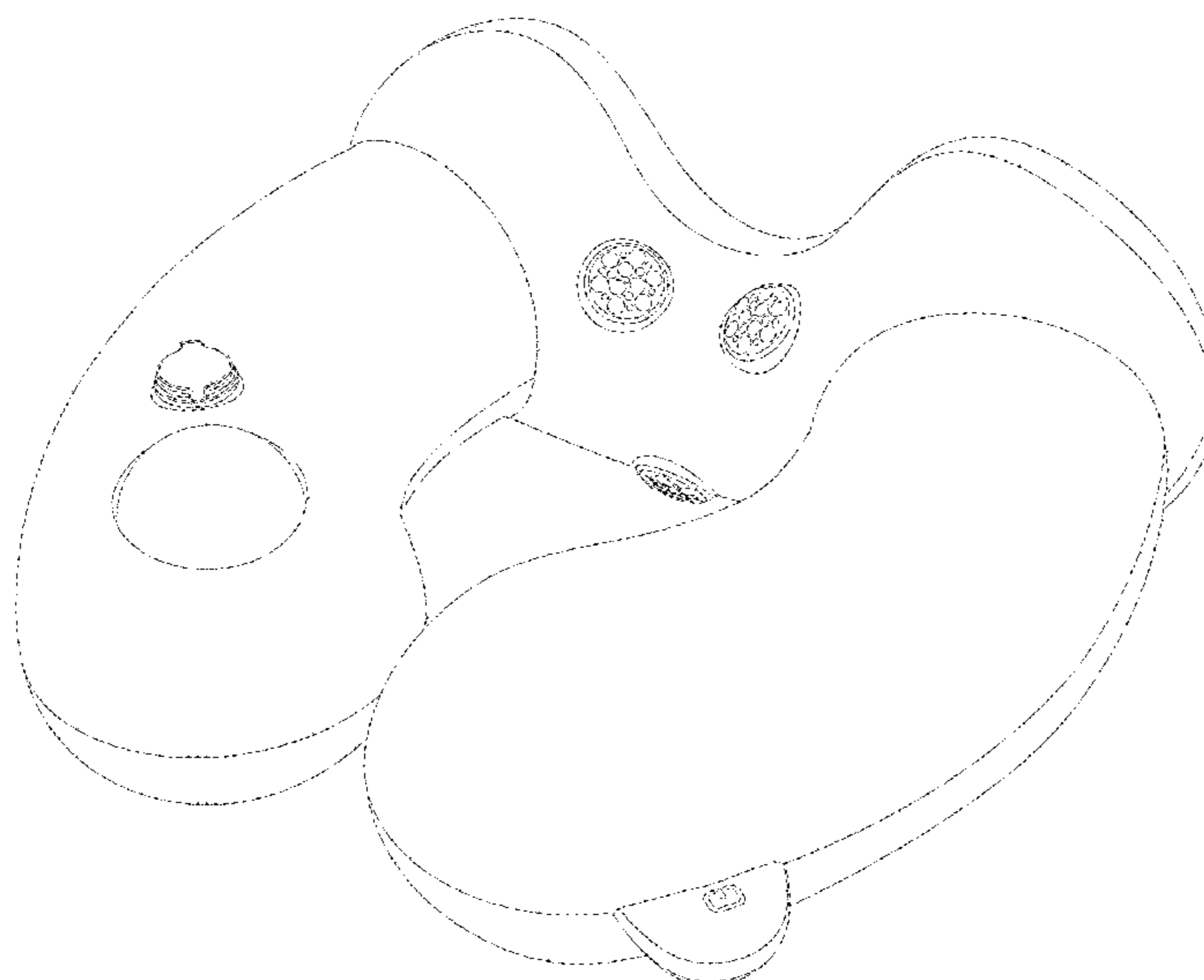
(57) **CLAIM**

I claim the ornamental design for a bone-conducted 3D  
massage pillow, as shown and described.

**DESCRIPTION**

FIG. 1 is a front side perspective view of a bone-conducted  
3D massage pillow showing my new design;  
FIG. 2 is a top plan view of FIG. 1;  
FIG. 3 is a bottom plan view FIG. 1;  
FIG. 4 is a front elevational view FIG. 1;  
FIG. 5 is a rear elevational view FIG. 1;  
FIG. 6 is a right side elevational view FIG. 1; and,  
FIG. 7 is a left side elevational view FIG. 1.

**1 Claim, 5 Drawing Sheets**



(56)

References Cited

U.S. PATENT DOCUMENTS

D699,982 S *	2/2014	Fair	.....	A47D 13/083	2007/0226910 A1*	10/2007	Tidwell	.....	A47D 13/083
				D6/601					5/655
D704,963 S *	5/2014	McNeil et al.	.....	D6/601	2008/0010750 A1*	1/2008	Tidwell	.....	A47D 13/083
D746,080 S *	12/2015	Mittelstadt	.....	D6/601					5/655
D754,454 S *	4/2016	Schwingendorf	.....	D6/601	2008/0163431 A1*	7/2008	Higgs	.....	B63C 9/155
D755,535 S *	5/2016	Benezri	.....	D6/391					5/655
D782,220 S *	3/2017	Little	.....	D6/601	2009/0013471 A1*	1/2009	Yang	.....	A47C 7/383
D787,232 S *	5/2017	Kassab Arabo	.....	D6/601					5/640
D787,233 S *	5/2017	Wang	.....	D6/601	2012/0073058 A1*	3/2012	Sclare	.....	A47D 13/083
D791,508 S *	7/2017	Chen	.....	D6/601					5/652
D846,913 S *	4/2019	Liu	.....	D6/601	2012/0278994 A1*	11/2012	Bonzer	.....	A47D 13/083
D850,155 S *	6/2019	Liu	.....	D6/601					5/655
D850,817 S *	6/2019	Tong	.....	D6/601	2014/0000036 A1*	1/2014	Cohen	.....	A47C 7/383
2001/0008214 A1*	7/2001	Matthews	.....	A47C 7/383					5/639
				206/303	2014/0007351 A1*	1/2014	Cohen	.....	A47G 9/10
2002/0124316 A1*	9/2002	Matthews Brown	.....	A47D 13/083					5/639
				5/636	2014/0310877 A1*	10/2014	Sternlight	.....	A47G 9/10
2004/0200004 A1*	10/2004	Matthews Brown	.....	A47D 13/083					5/639
				5/655	2015/0314715 A1*	11/2015	Kilgore	.....	A47C 7/383
2005/0210591 A1*	9/2005	Mead	.....	A47D 13/083					5/636
				5/639	2016/0029821 A1*	2/2016	Atkinson	.....	A47C 7/383
									5/636
					2016/0183685 A1*	6/2016	Kang	.....	A47G 9/1081
									5/639
					2017/0042352 A1*	2/2017	Atkinson	.....	A47G 9/1081
					2017/0086607 A1*	3/2017	Wong	.....	A47C 16/00
					2017/0188710 A1*	7/2017	Sternlight	.....	A47C 7/383

\* cited by examiner

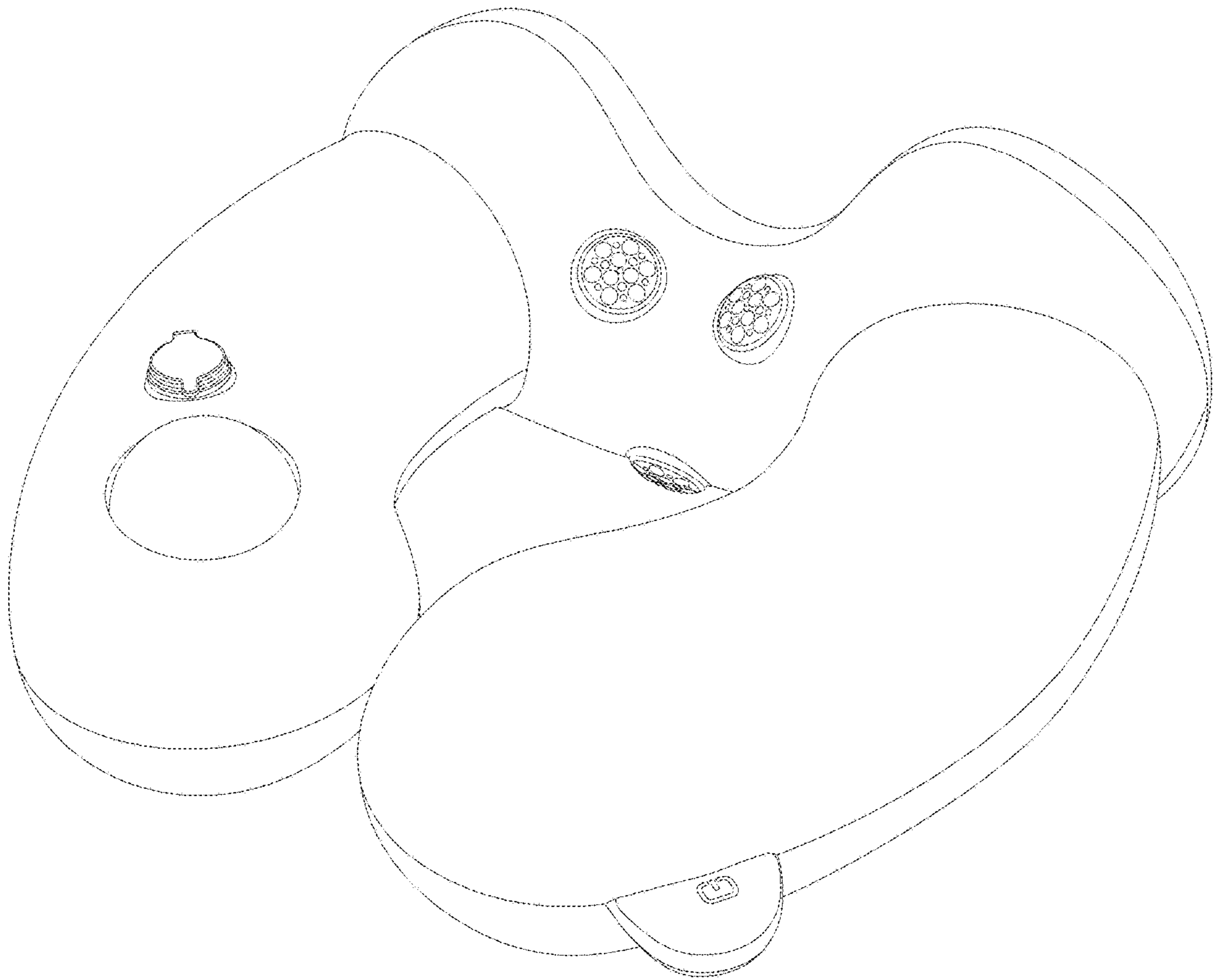


FIG. 1

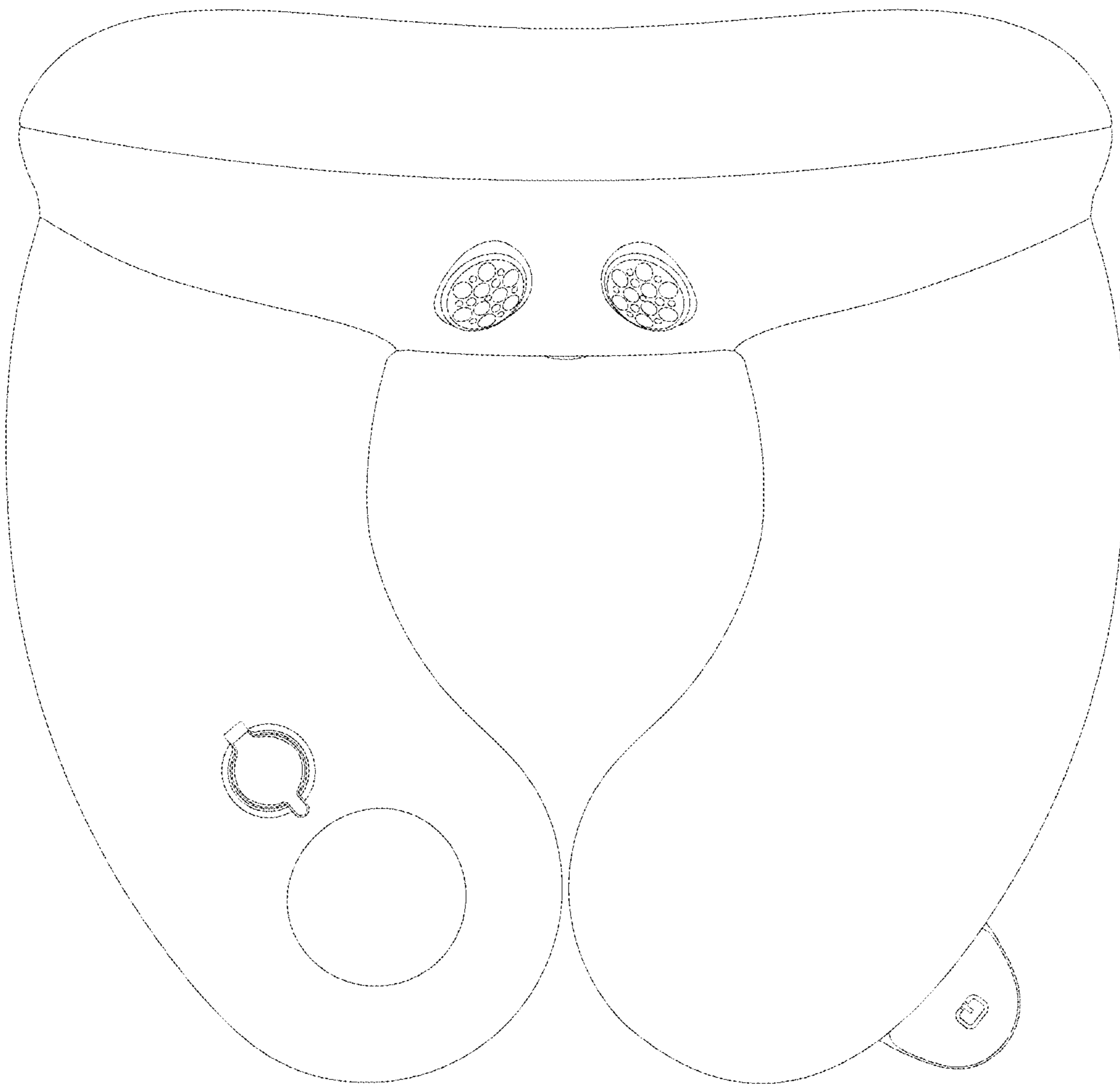


FIG. 2

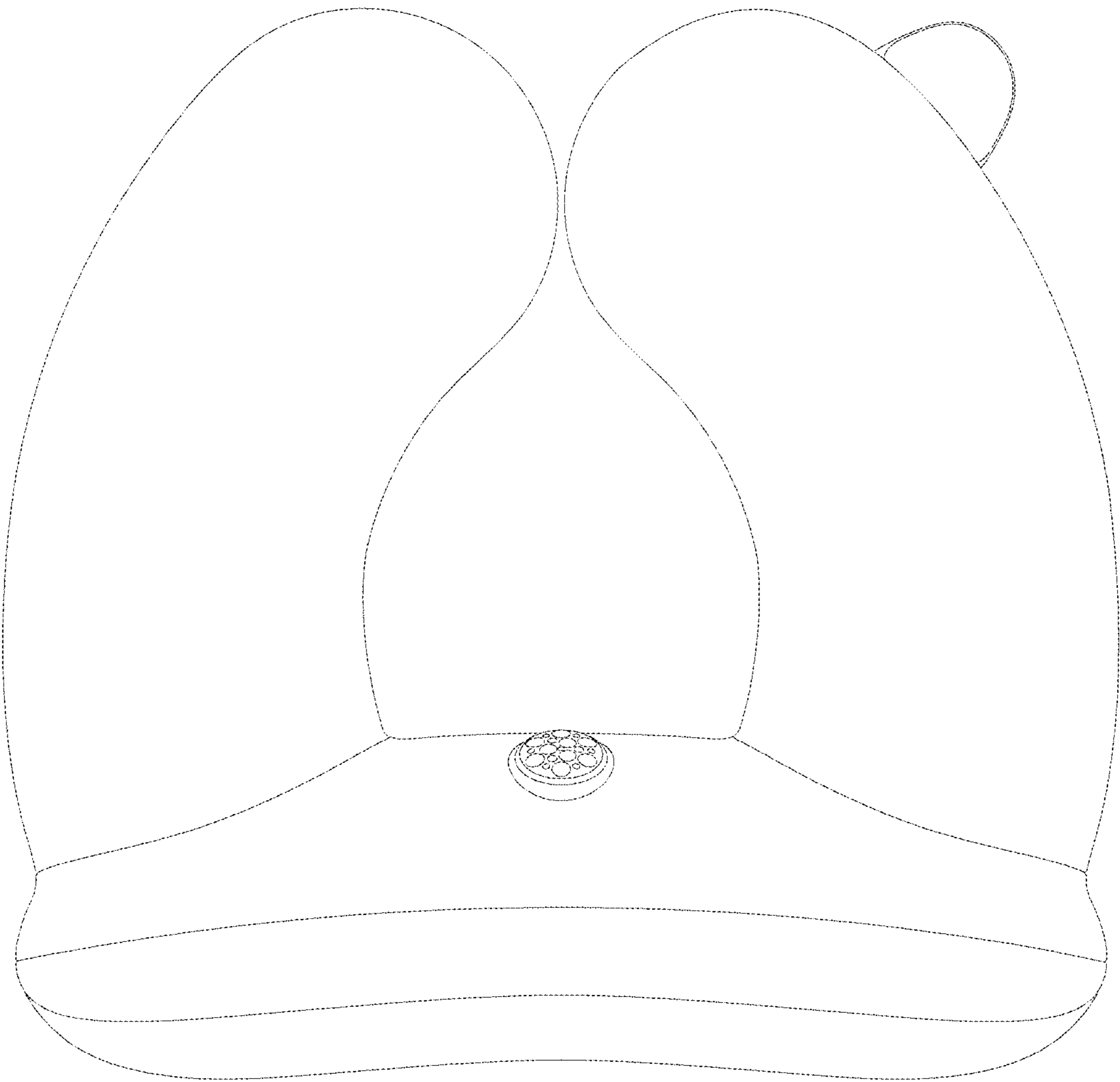


FIG. 3



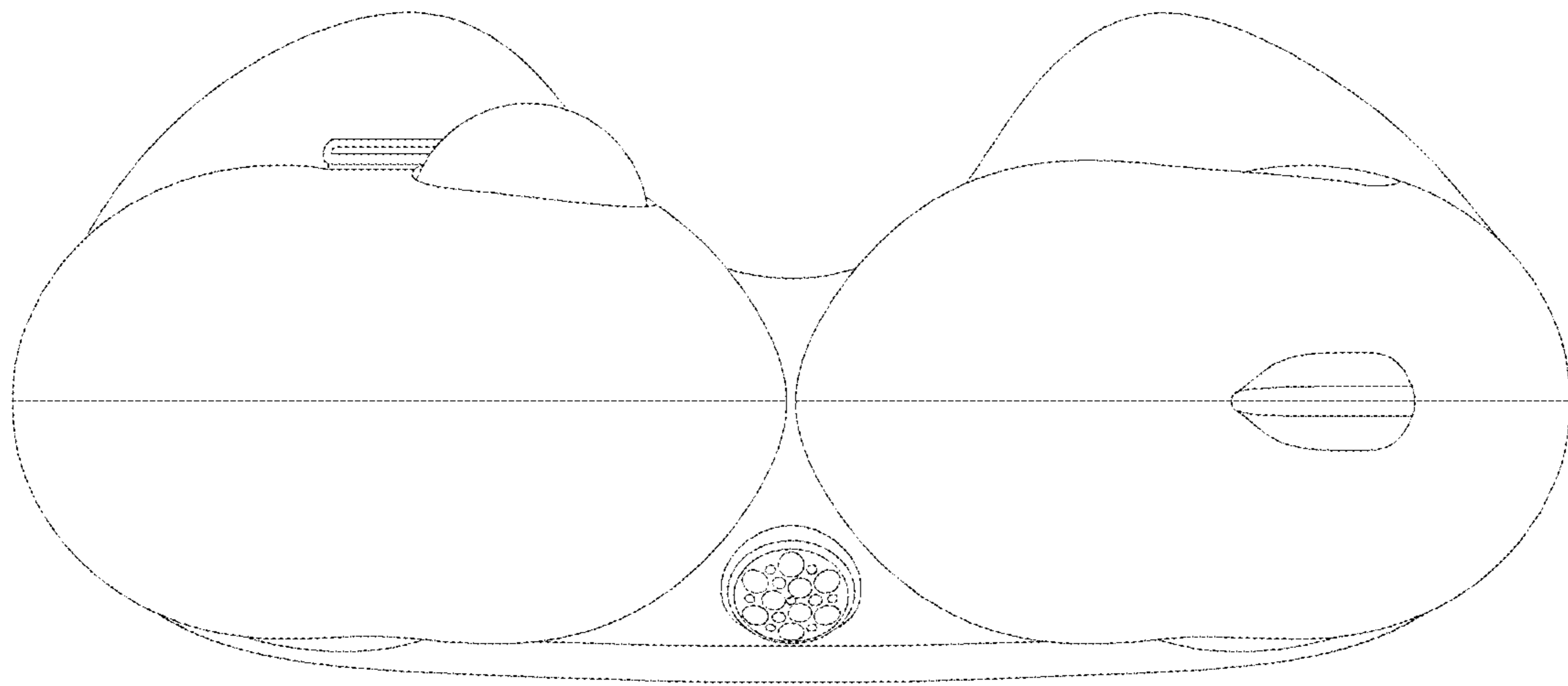


FIG. 4

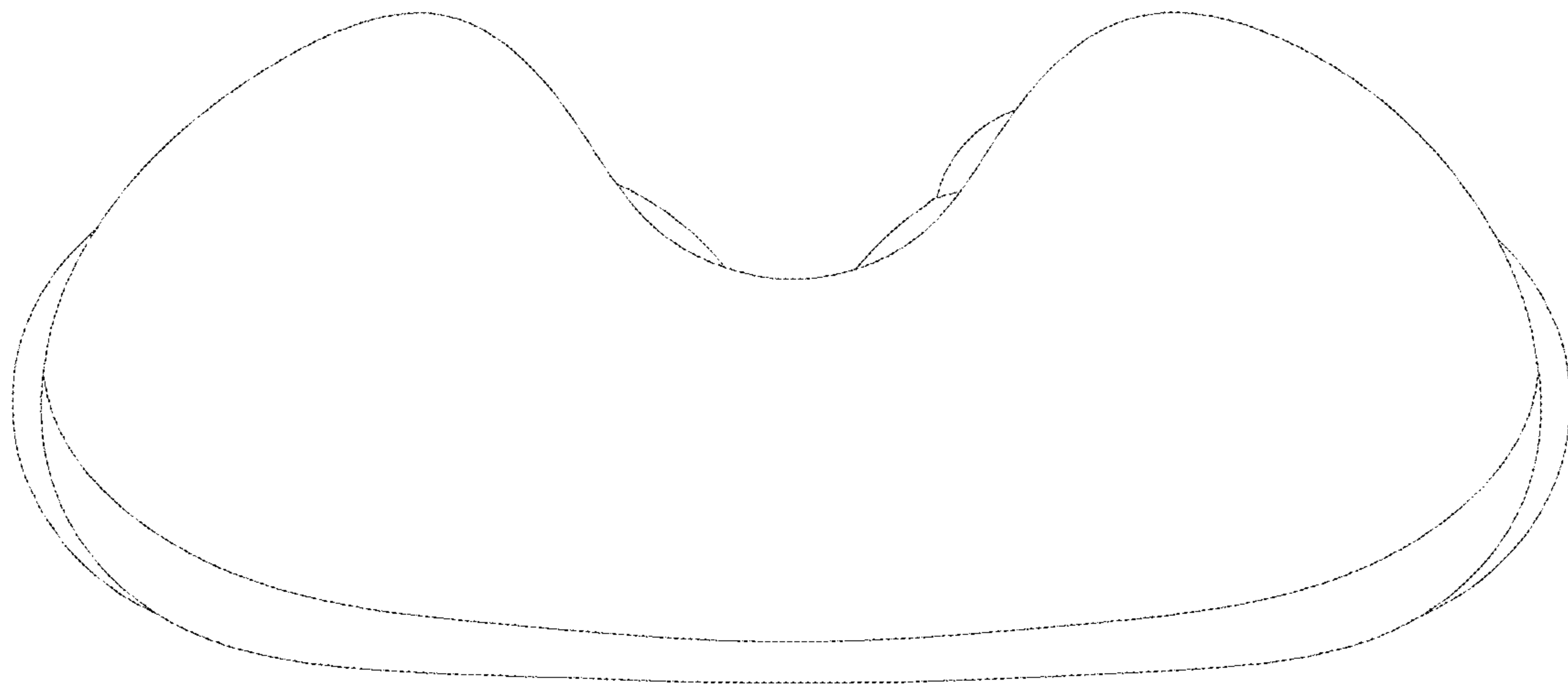


FIG. 5

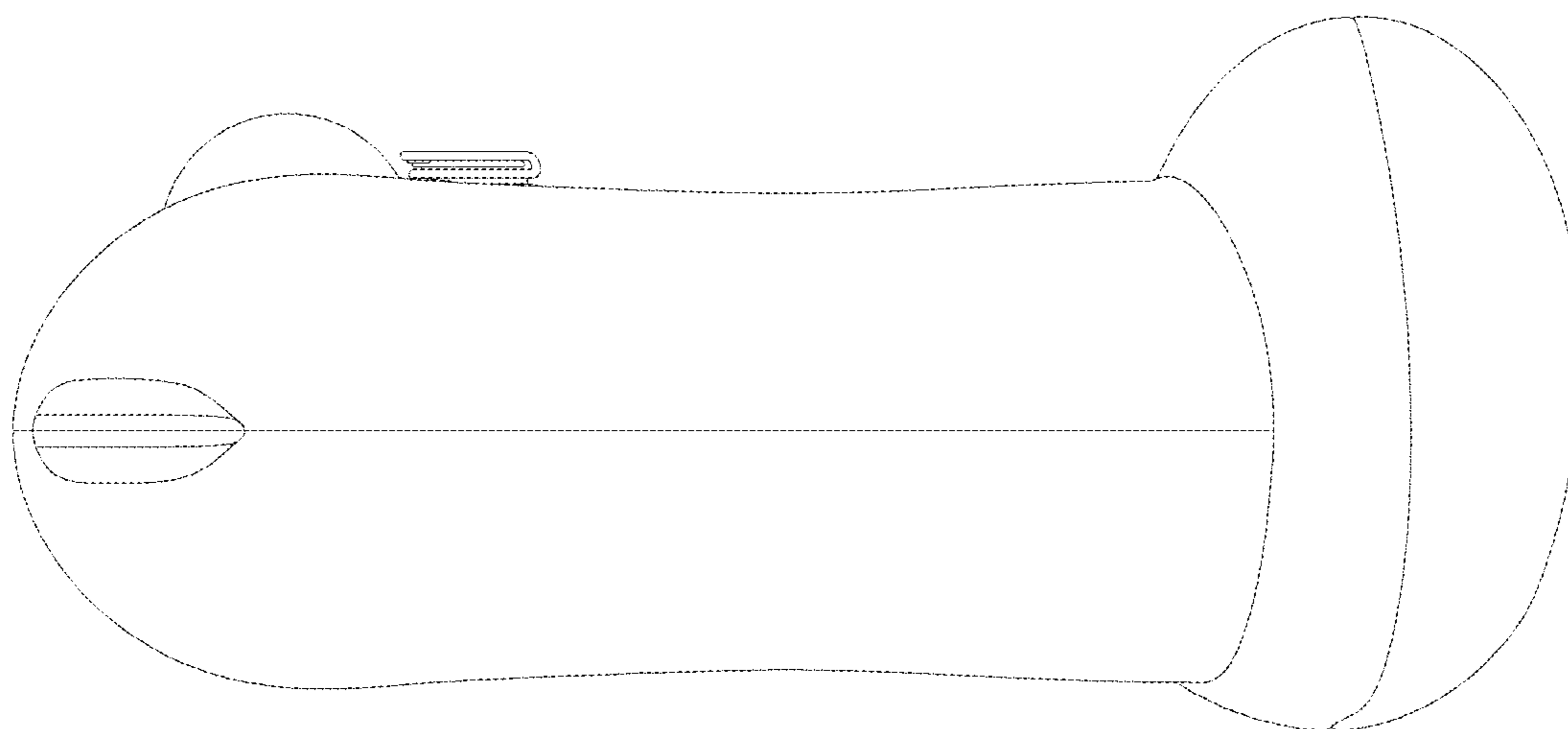


FIG. 6

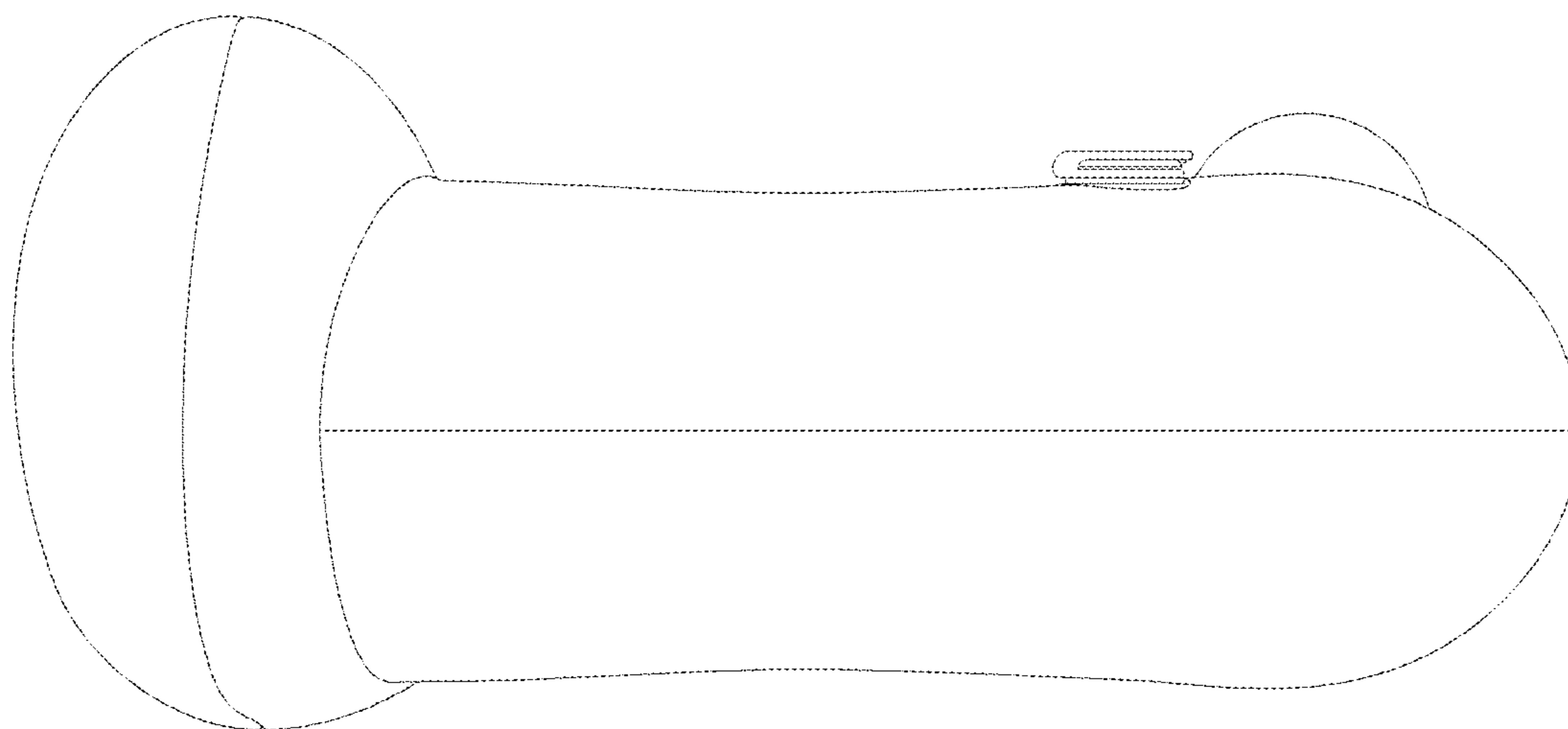


FIG. 7