



US00D898415S

(12) **United States Design Patent**
Roma et al.

(10) **Patent No.:** **US D898,415 S**
(45) **Date of Patent:** **** Oct. 13, 2020**

(54) **REMOVABLE MATTRESS COVER**

(71) Applicants: **John K. Roma**, Orchard Park, NY (US); **Valerie Roma**, Orchard Park, NY (US)

(72) Inventors: **John K. Roma**, Orchard Park, NY (US); **Valerie Roma**, Orchard Park, NY (US)

(**) Term: **15 Years**

(21) Appl. No.: **29/612,267**

(22) Filed: **Jul. 31, 2017**

Related U.S. Application Data

(62) Division of application No. 29/531,562, filed on Jun. 26, 2015, now Pat. No. Des. 794,981.

(51) **LOC (12) Cl.** **06-09**

(52) **U.S. Cl.**
USPC **D6/596**

(58) **Field of Classification Search**

USPC D6/582-583, 587-592, 595-609, D6/617-622; D21/803-809; D24/183
CPC A47G 9/00; A47G 2009/001; A47G 2009/002; A47G 2009/003; A47G 2009/005; A47G 2009/006; A47G 9/02; A47G 9/0207; A47G 9/0215; A47G 9/0223; A47G 9/023; A47G 9/0238; A47G 9/0246; A47G 9/0253; A47G 9/0261; A47G 9/06; A47G 9/062; A47G 9/066; A47G 9/068; A47G 9/08; A47G 2009/0276; A47G 9/0284; A47G 9/0292; A47G 9/04; A47G 9/10; A47C 27/22; A47C 21/02

See application file for complete search history.

(56) **References Cited**

U.S. PATENT DOCUMENTS

- 7,047,580 B2 * 5/2006 Finn A47C 27/005 5/484
- 7,552,489 B2 * 6/2009 Bell A47C 31/007 24/389
- 7,930,779 B2 * 4/2011 Marrache A47C 31/105 5/496
- 8,117,692 B1 * 2/2012 Richards A47G 9/02 5/482

(Continued)

Primary Examiner — Jennifer L Rempfer

(74) *Attorney, Agent, or Firm* — Hodgson Russ LLP

(57) **CLAIM**

The ornamental design for a removable mattress cover, as shown and described.

DESCRIPTION

FIG. 1 is a front-left perspective view of a removable mattress cover showing my new design, the rear-right perspective view being mirror-symmetrical thereto;

FIG. 2 is a left side elevational view thereof;

FIG. 3 is a right side elevational view thereof;

FIG. 4 is a front elevational view thereof;

FIG. 5 is a rear elevational view thereof;

FIG. 6 is a bottom plan view thereof;

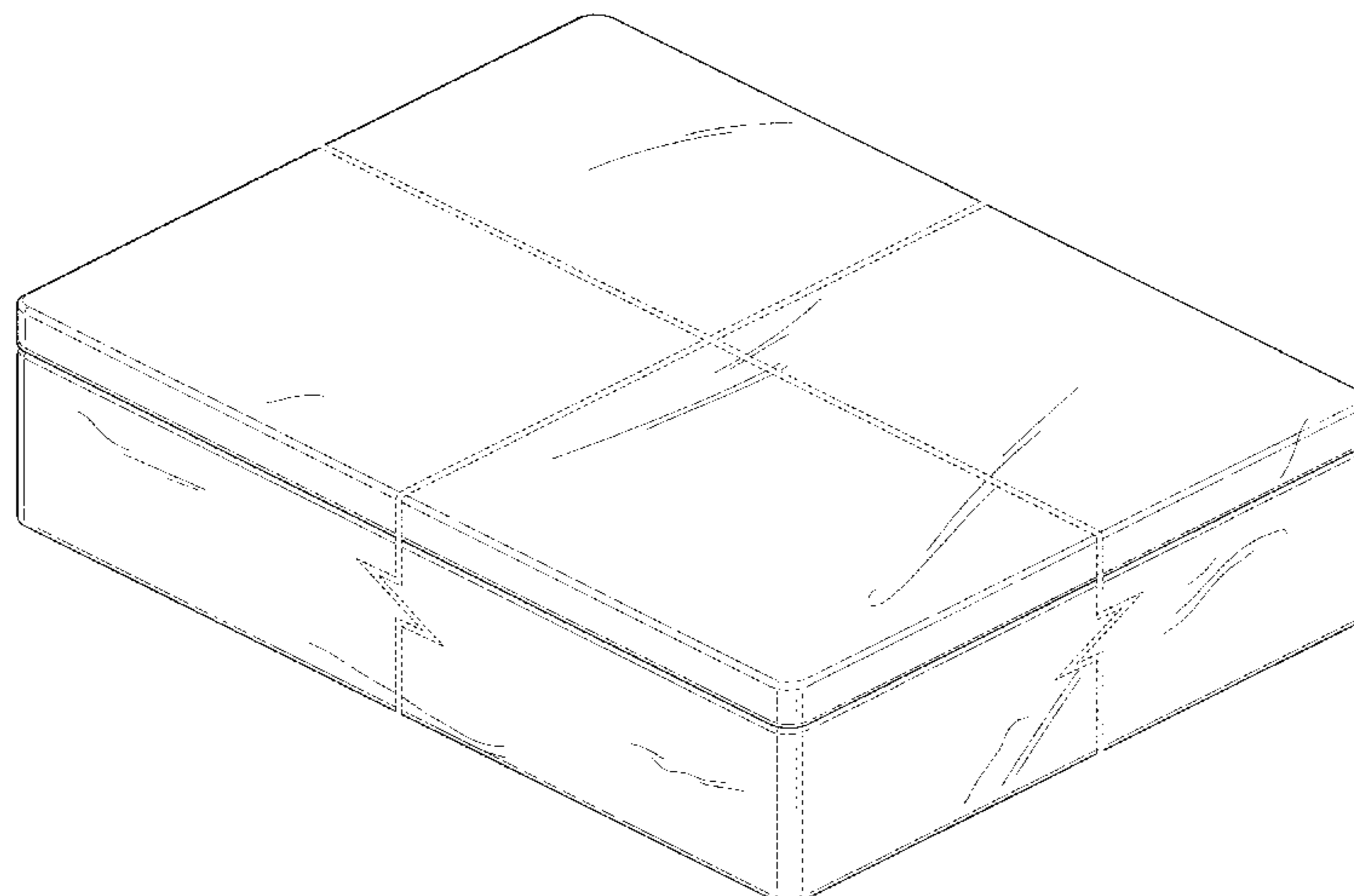
FIG. 7 is a top plan view thereof;

FIG. 8 is an exploded perspective view showing the upper and lower portions of the removable mattress cover removed from exemplary internal components of a mattress, the opposite perspective view being mirror symmetrical thereto; and,

FIG. 9 is a detail view of a front portion of the removable mattress cover being opened, the detail view of the rear portion being symmetrical thereto.

The broken lines illustrate unclaimed features that form no part of the claimed design. The removable mattress cover is shown with a symbolic breaks in its length, width, and height. The appearance of any portion of the article between the break lines forms no part of the design.

1 Claim, 8 Drawing Sheets



(56)

References Cited

U.S. PATENT DOCUMENTS

8,347,430 B2 * 1/2013 Malouf A47C 31/007
5/484
D744,766 S * 12/2015 Morrison D6/605
9,247,835 B2 * 2/2016 Blethen A47G 9/04
D794,981 S * 8/2017 Roma D6/596
10,104,984 B2 * 10/2018 Hagglund A47C 31/105
D850,153 S * 6/2019 Desodt D6/596
10,463,167 B2 * 11/2019 Rabbany A47C 31/007
2010/0251482 A1 * 10/2010 MacDonald A47G 9/02
5/494
2011/0099714 A1 * 5/2011 Svoboda A47C 31/105
5/499
2012/0117728 A1 * 5/2012 O'Neill A47C 31/007
5/499
2012/0167307 A1 * 7/2012 Michael A47C 31/105
5/501

* cited by examiner

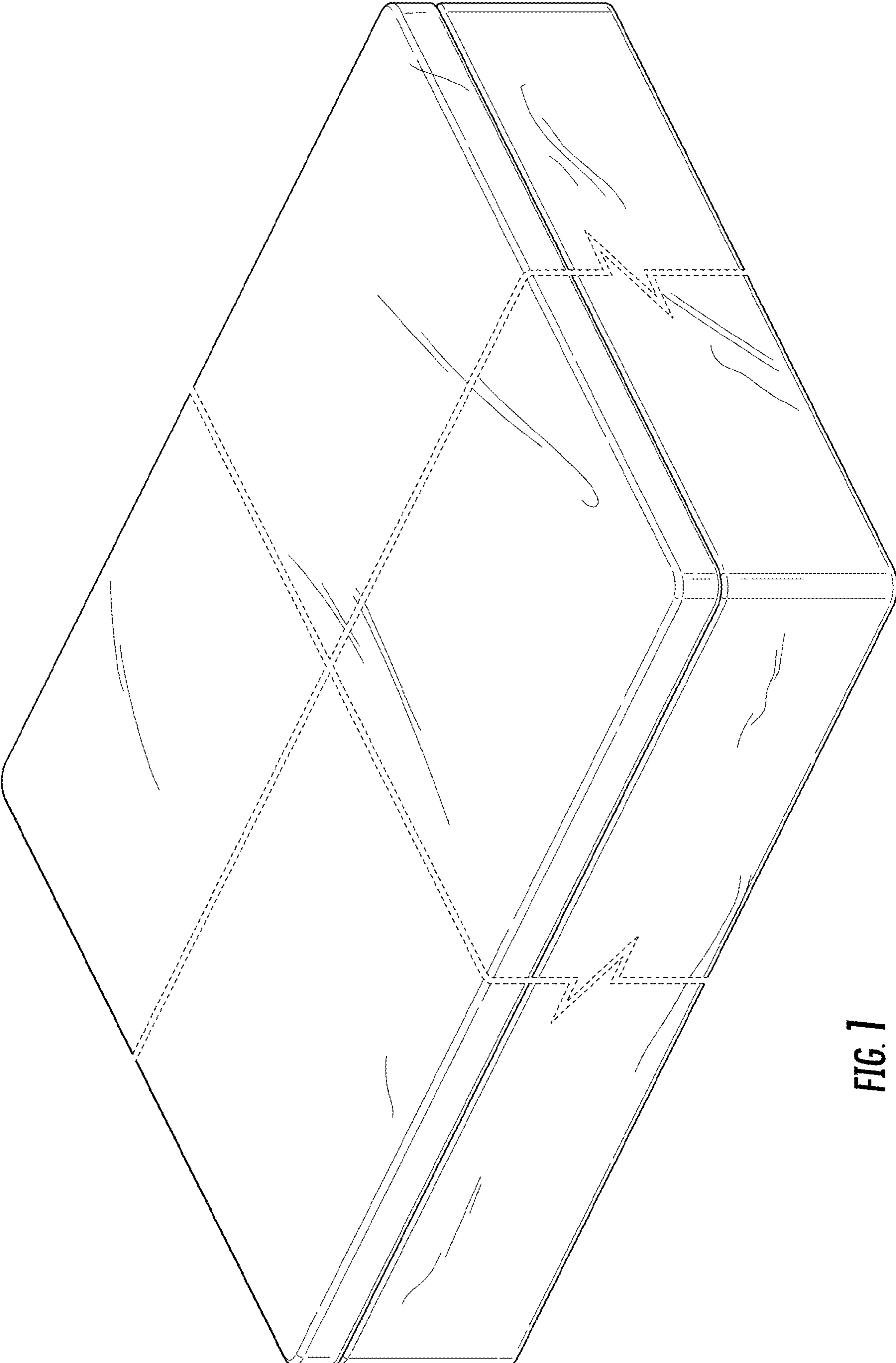


FIG. 1

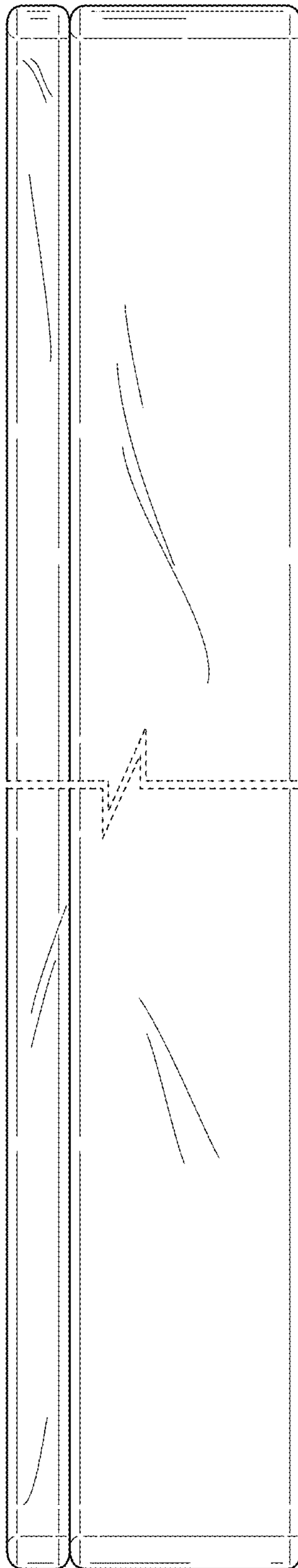


FIG. 2

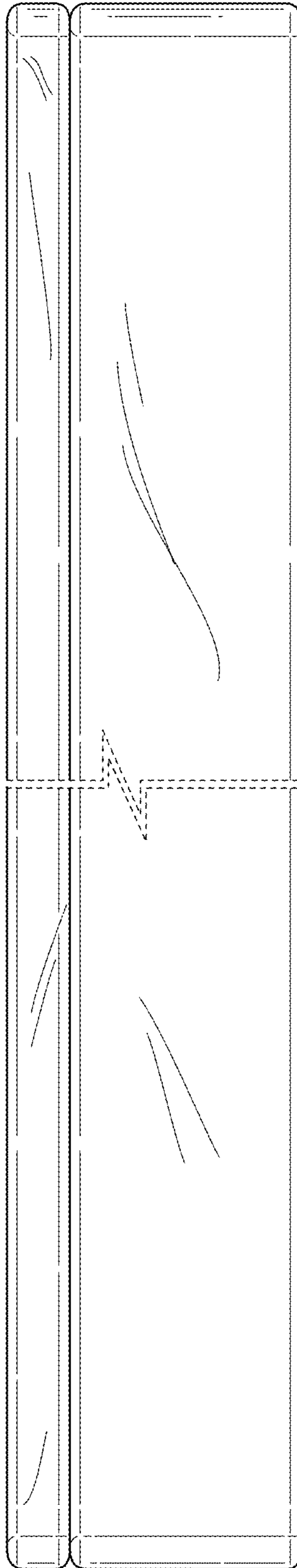


FIG. 3

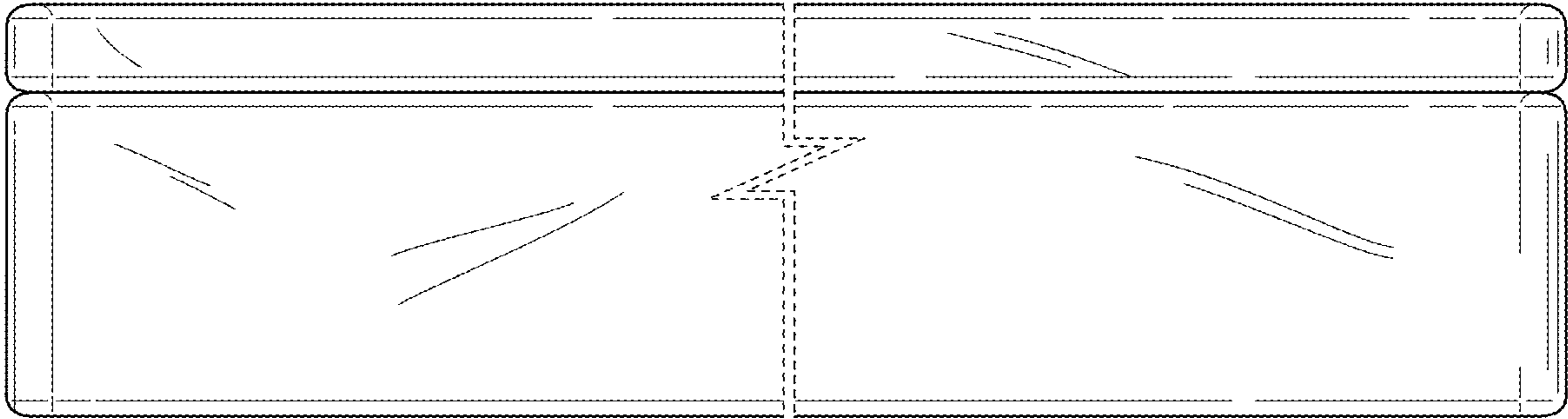


FIG. 4

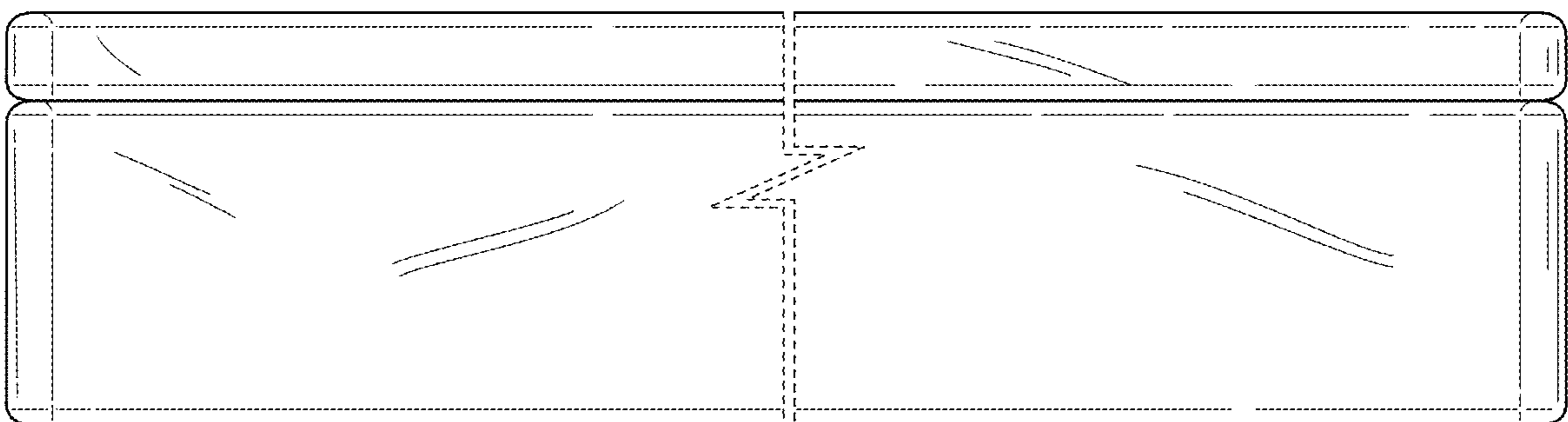


FIG. 5

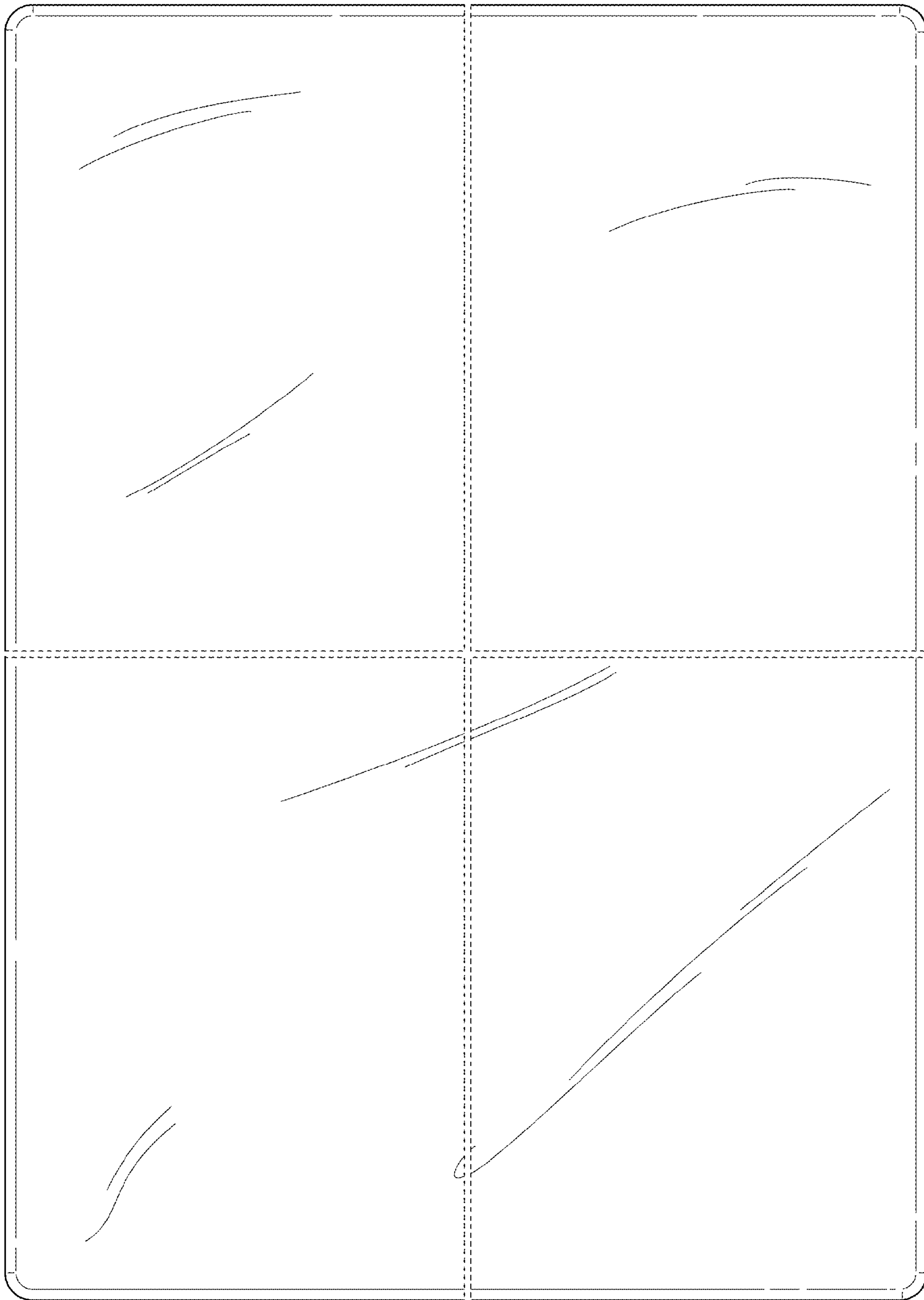


FIG. 6

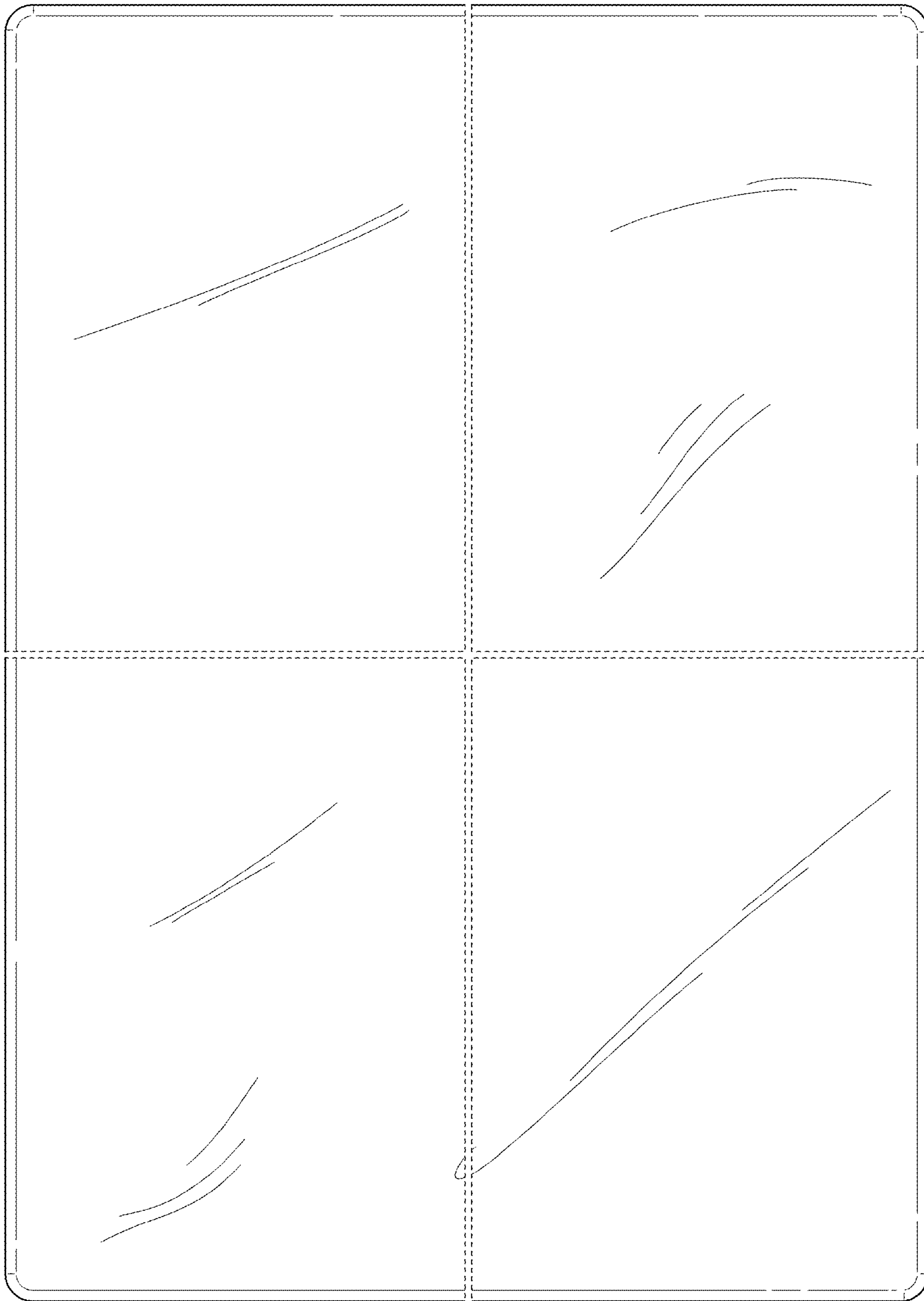


FIG. 7

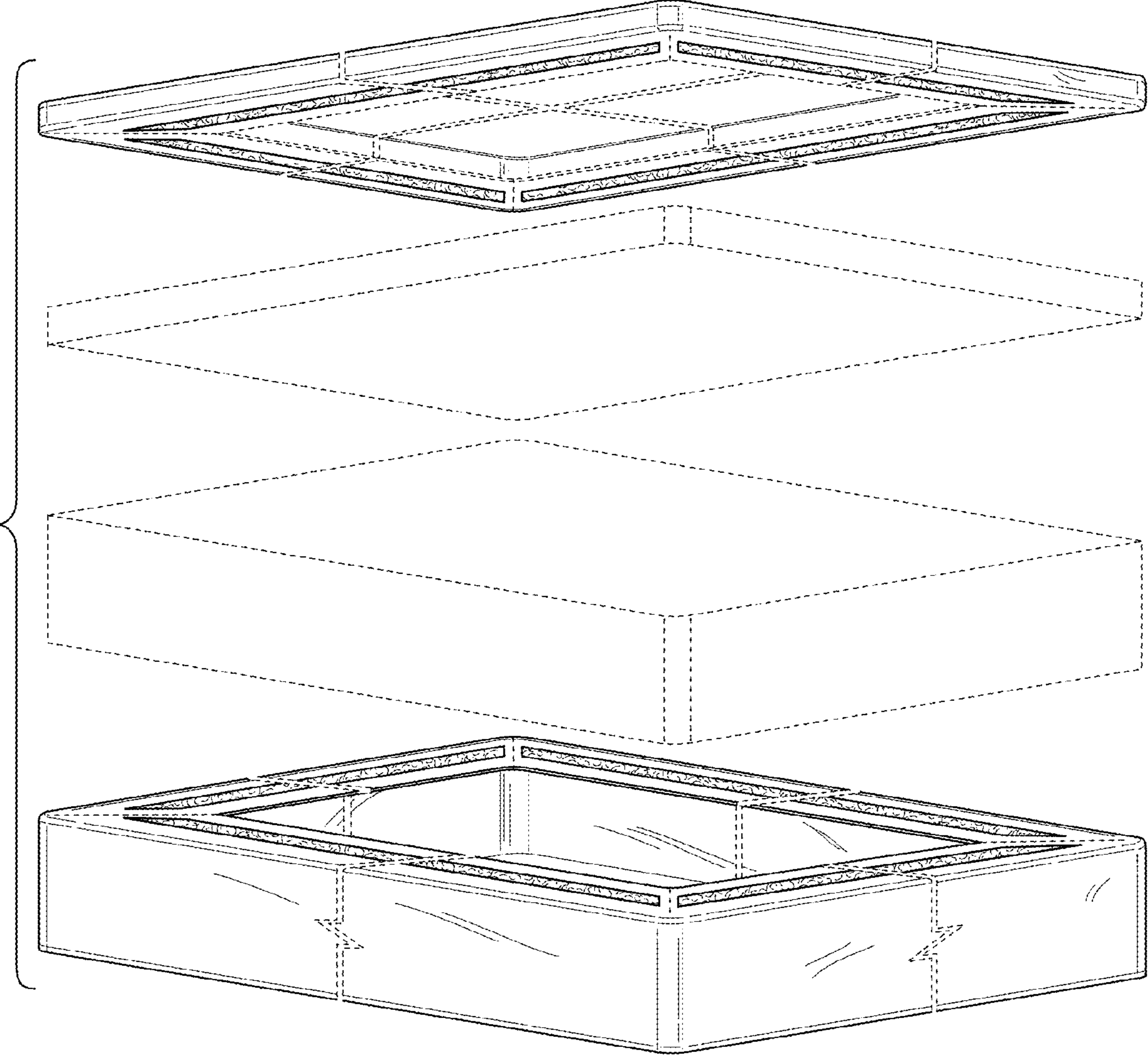


FIG. 8

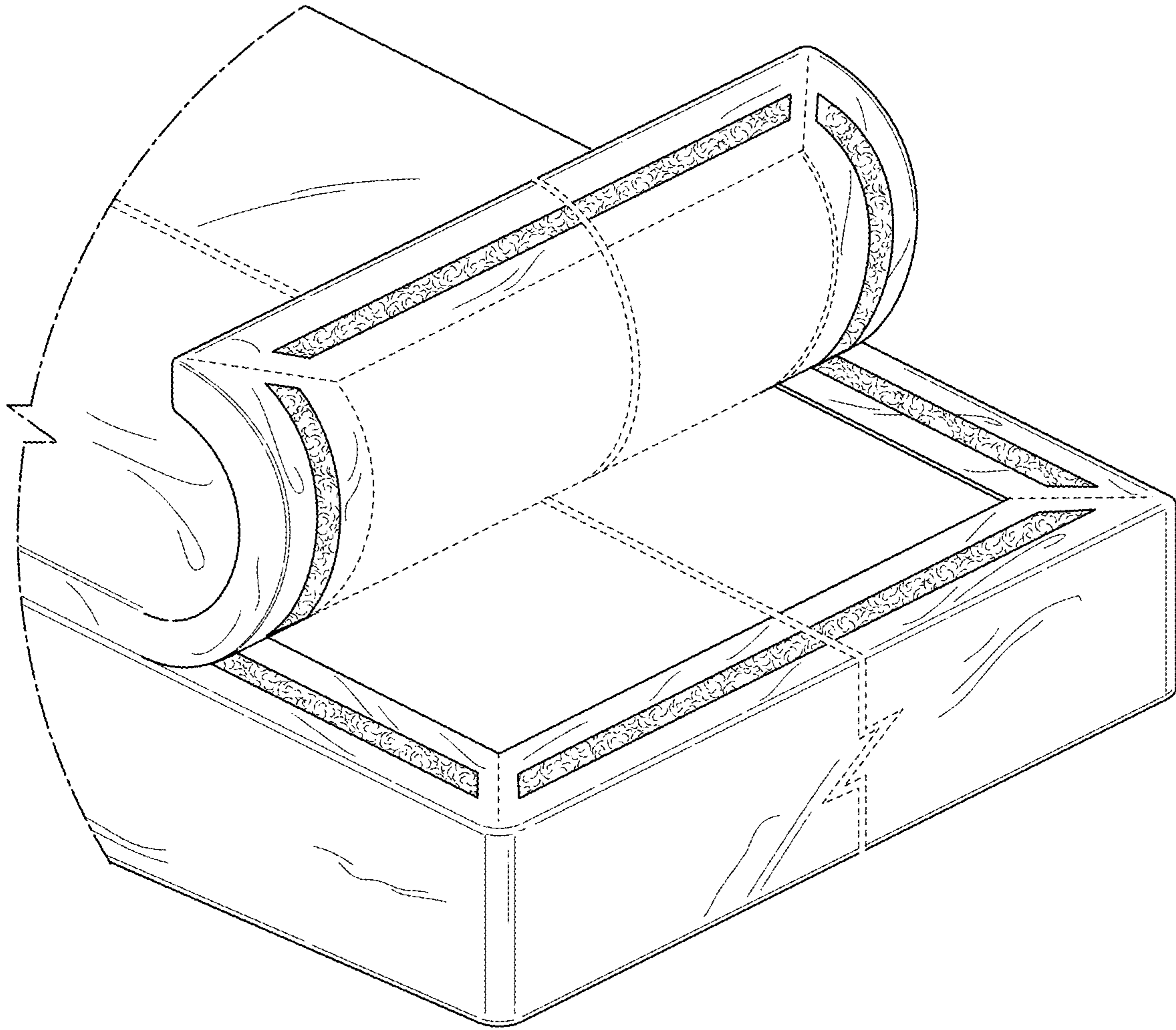


FIG. 9